



US00D499610S

(12) **United States Design Patent** (10) **Patent No.:** **US D499,610 S**
Laib (45) **Date of Patent:** **** Dec. 14, 2004**

(54) **TRIANGULAR DISH**
 (75) Inventor: **Douglas M. Laib**, Orlando, FL (US)
 (73) Assignee: **Dart Industries Inc.**, Orlando, FL (US)
 (**) Term: **14 Years**
 (21) Appl. No.: **29/192,774**
 (22) Filed: **Oct. 29, 2003**
 (51) **LOC (7) Cl.** **07-01**
 (52) **U.S. Cl.** **D7/550.1**
 (58) **Field of Search** D7/550.1, 554.2,
 D7/553.6, 554.1, 584, 354, 586; 206/557;
 220/574, 583.1, 23.4; D30/129

D341,539 S * 11/1993 Davis et al. D9/430
 D419,364 S * 1/2000 Jarvis D7/354
 D434,946 S * 12/2000 Jarvis D7/554.4

* cited by examiner

Primary Examiner—Charles A. Rademaker
 (74) *Attorney, Agent, or Firm*—John A. Doninger

(57) **CLAIM**

The ornamental design for a triangular dish, as shown and described.

DESCRIPTION

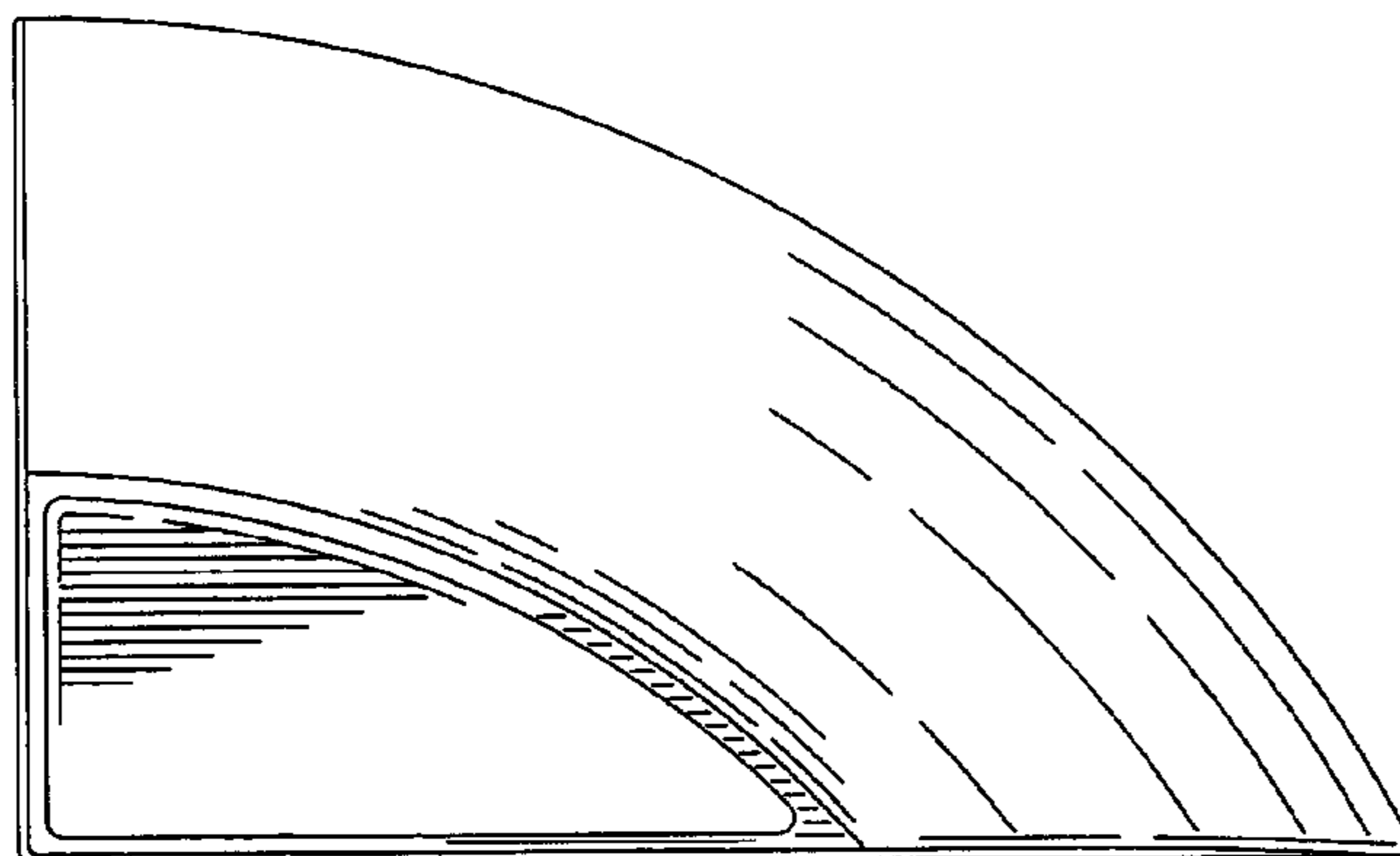
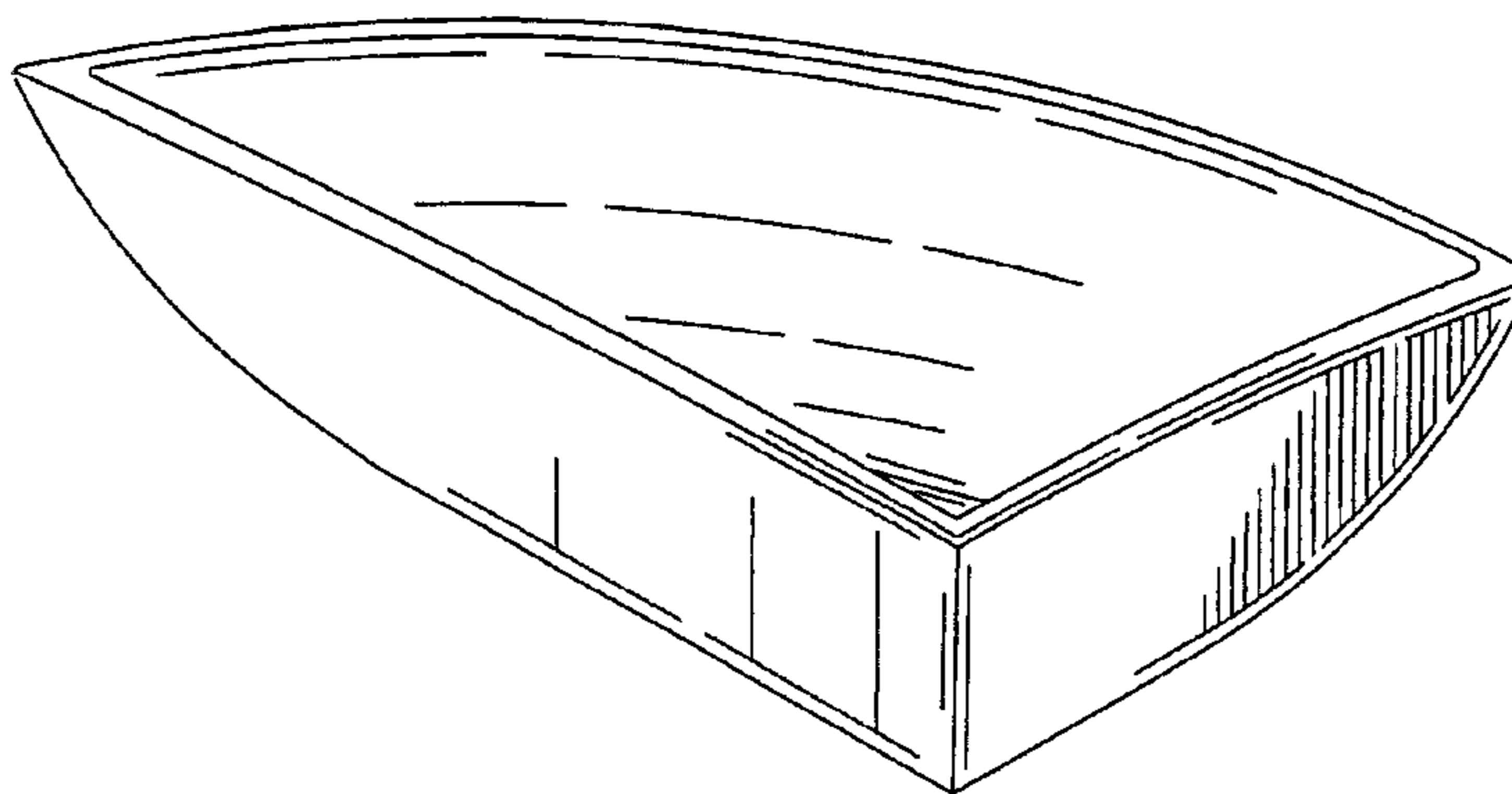
FIG. 1 is a top, side and front perspective view of a triangular dish showing my new design;
 FIG. 2 is a left side elevation view thereof;
 FIG. 3 is a right side elevation view thereof;
 FIG. 4 is a rear elevation view thereof;
 FIG. 5 is a front elevation view thereof;
 FIG. 6 is a top plan view thereof;
 FIG. 7 is a bottom plan view thereof;
 FIG. 8 is a top, side and front perspective view of a modified image of the design shown in FIGS. 1 through 7;
 FIG. 9 is a left side elevation view thereof;
 FIG. 10 is a right side elevation view thereof;
 FIG. 11 is a rear elevation view thereof;
 FIG. 12 is a front elevation view thereof;
 FIG. 13 is a top plan view thereof; and,
 FIG. 14 is a bottom plan view thereof.

(56) **References Cited**

U.S. PATENT DOCUMENTS

D35,476 S * 12/1901 Springer D7/550.1
 798,264 A 8/1905 Carrier
 D76,699 S * 10/1928 McEldowney D7/584
 1,853,413 A 6/1932 Pierce
 D195,524 S * 6/1963 Patton, Jr. D7/587
 D270,980 S 10/1983 Haigh
 4,483,455 A 11/1984 Prophet, Jr. et al. 220/23.83
 D284,058 S 6/1986 Kahn et al. D7/1
 4,873,921 A 10/1989 Piane 99/422
 4,990,345 A * 2/1991 Webb 206/205
 D320,534 S 10/1991 Finney et al. D7/560
 D329,107 S 9/1992 Hardy D30/131

1 Claim, 6 Drawing Sheets



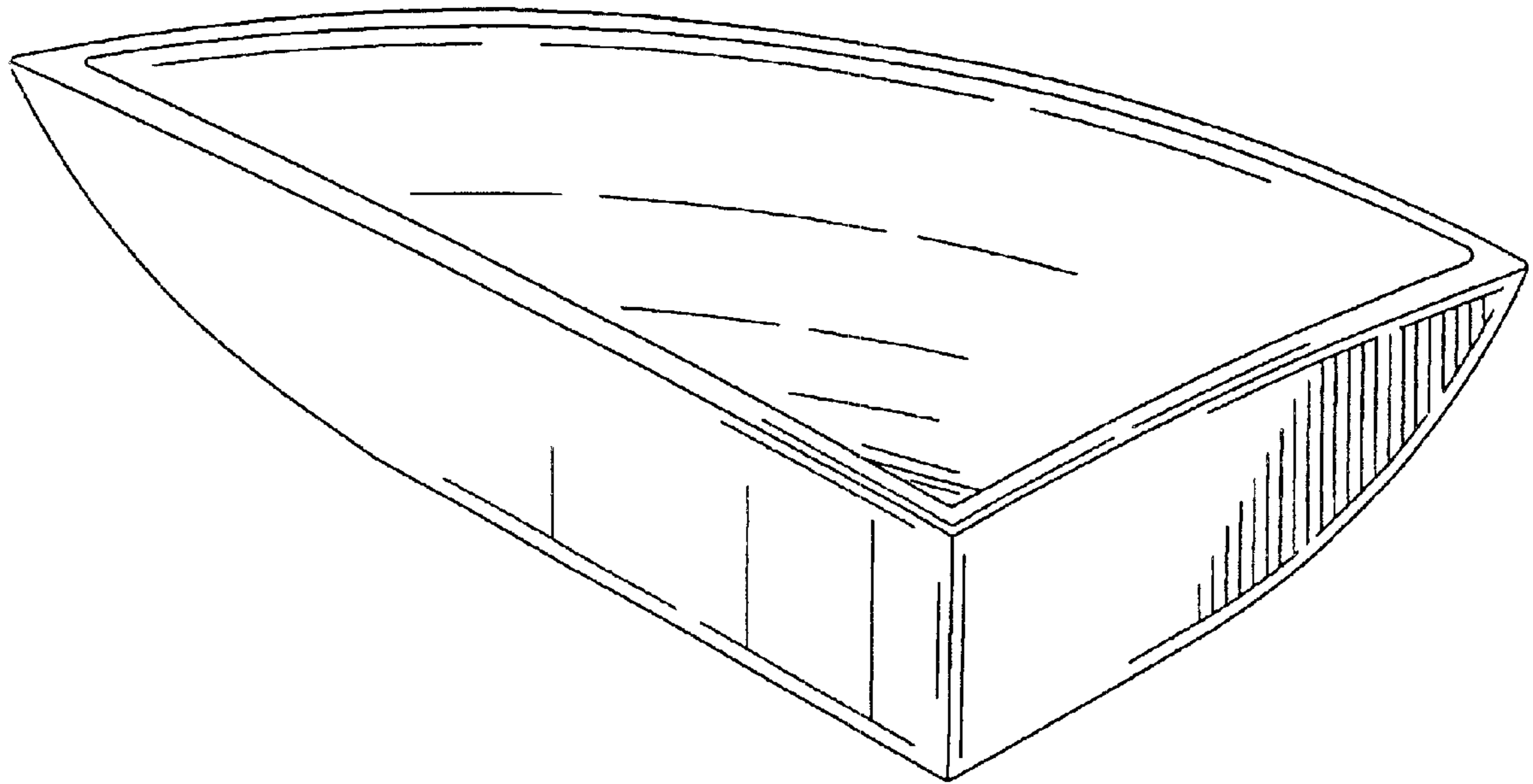


FIG. 1

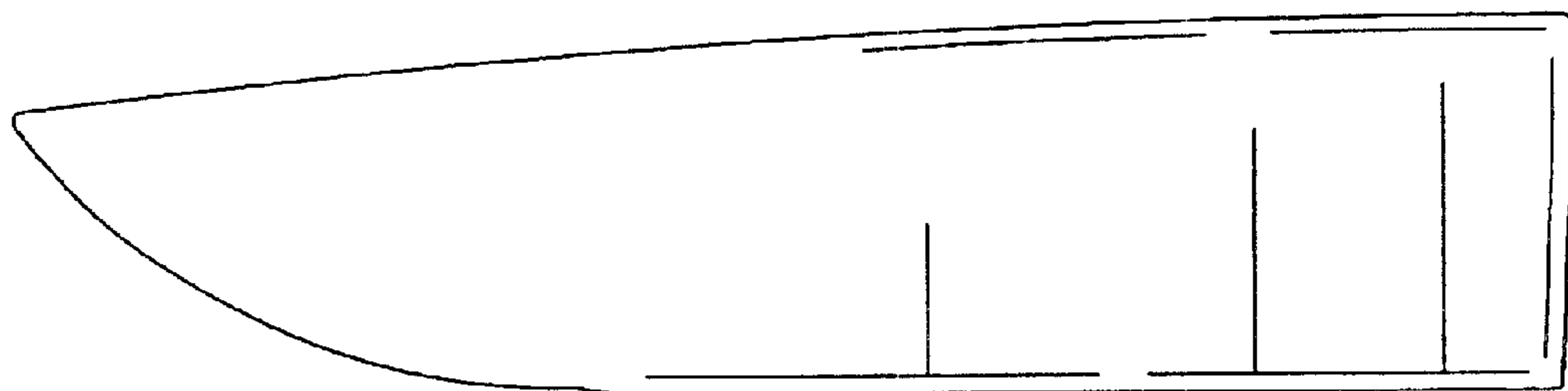


FIG. 2

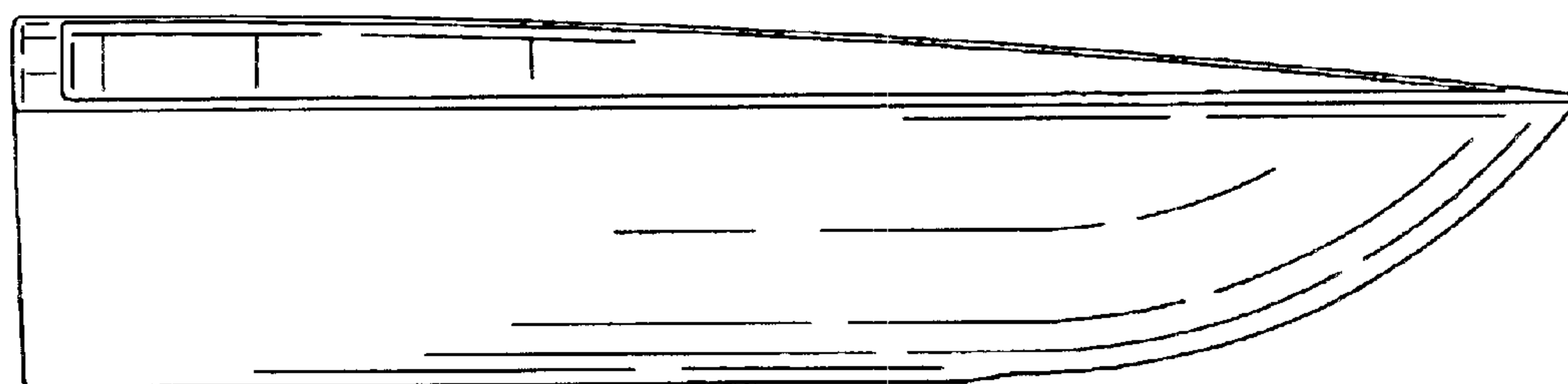


FIG. 3

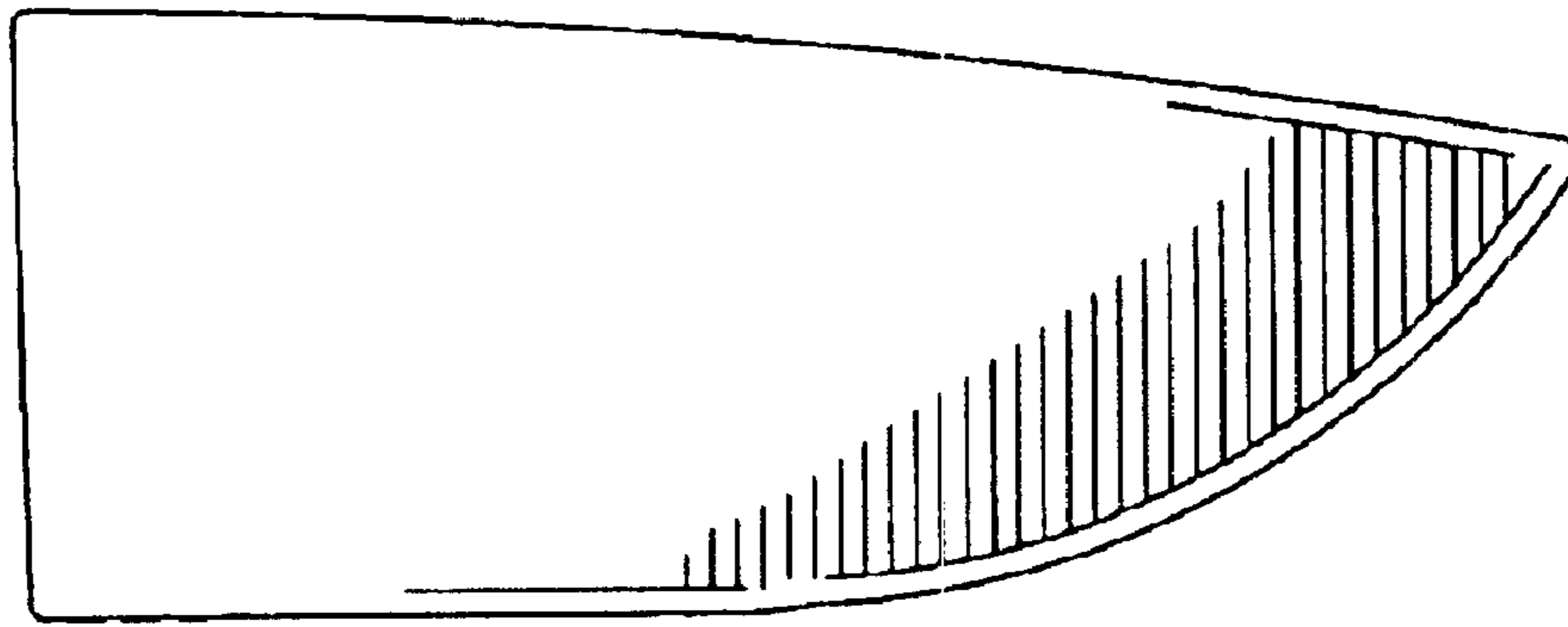


FIG. 4

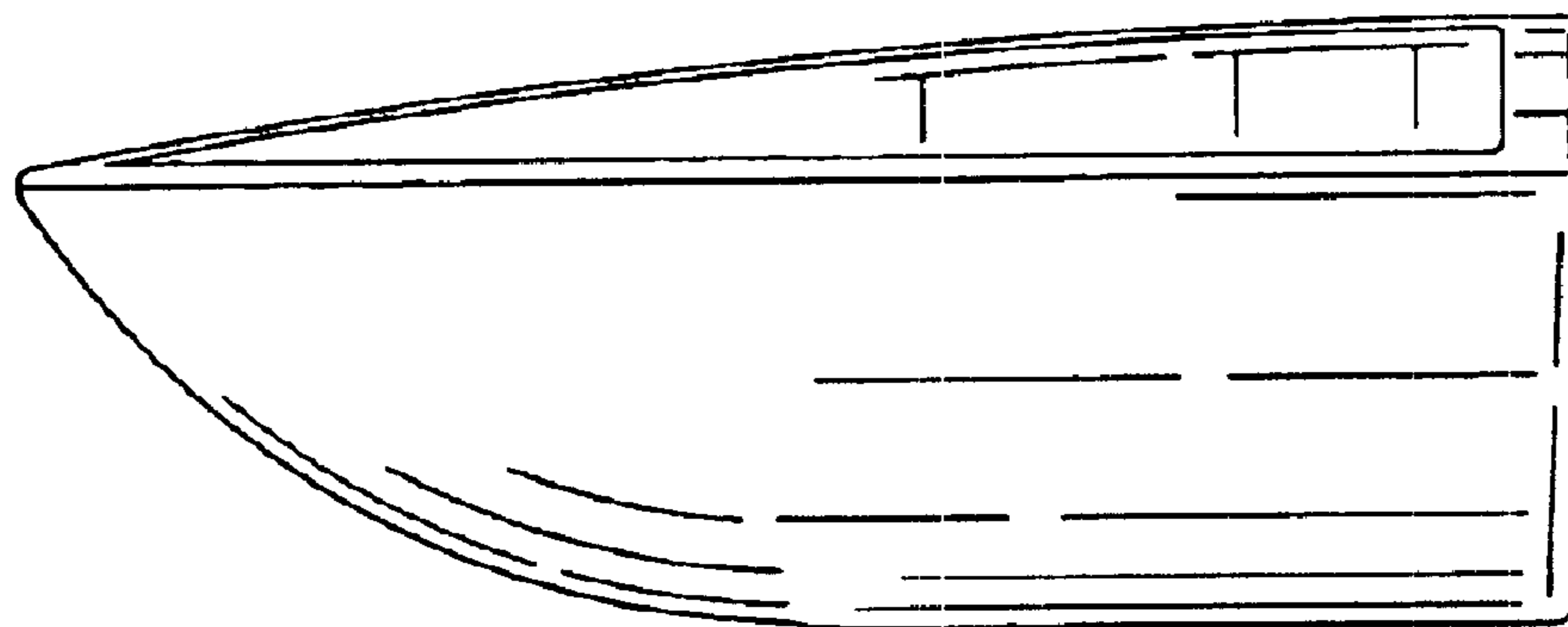


FIG. 5

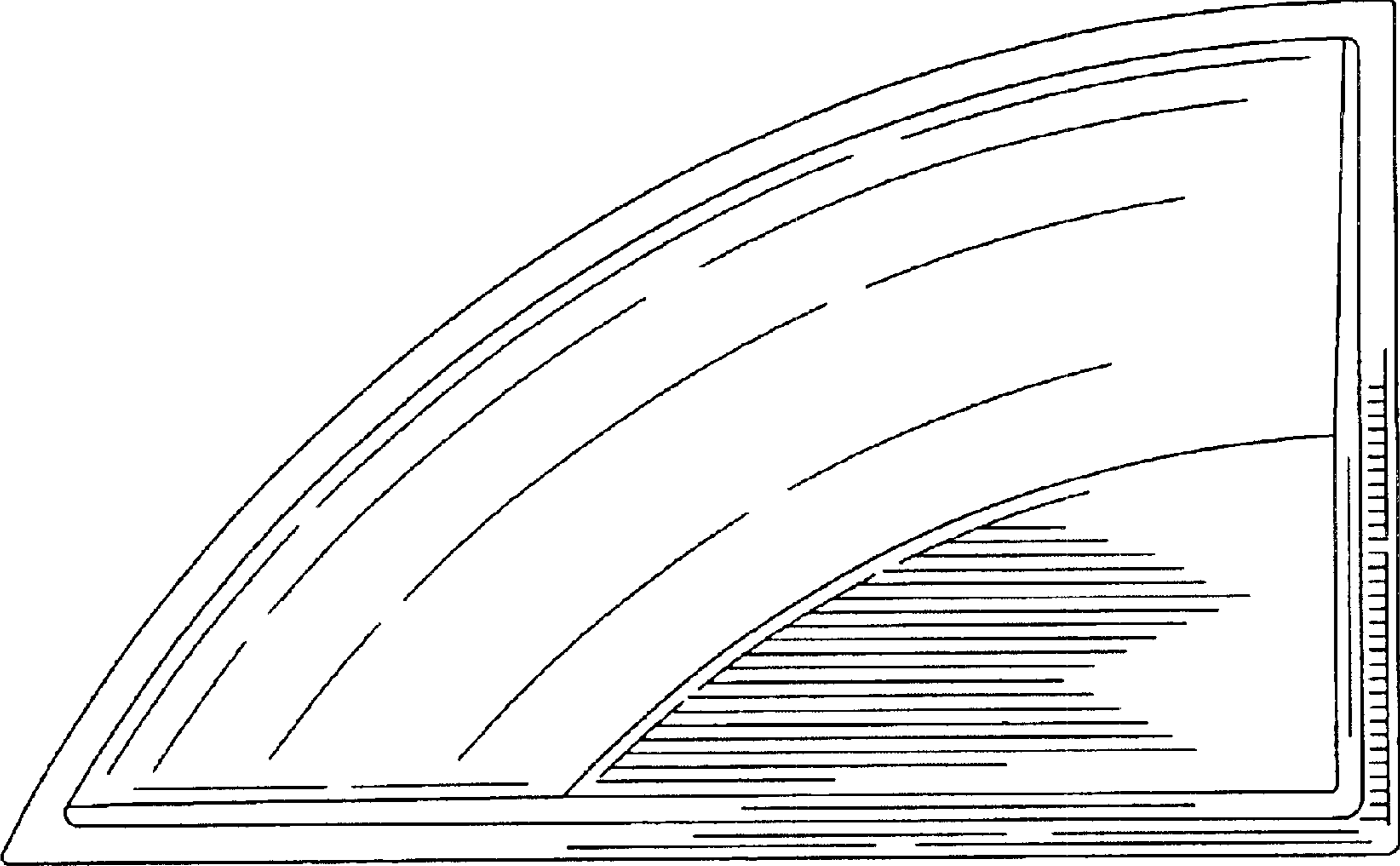


FIG. 6

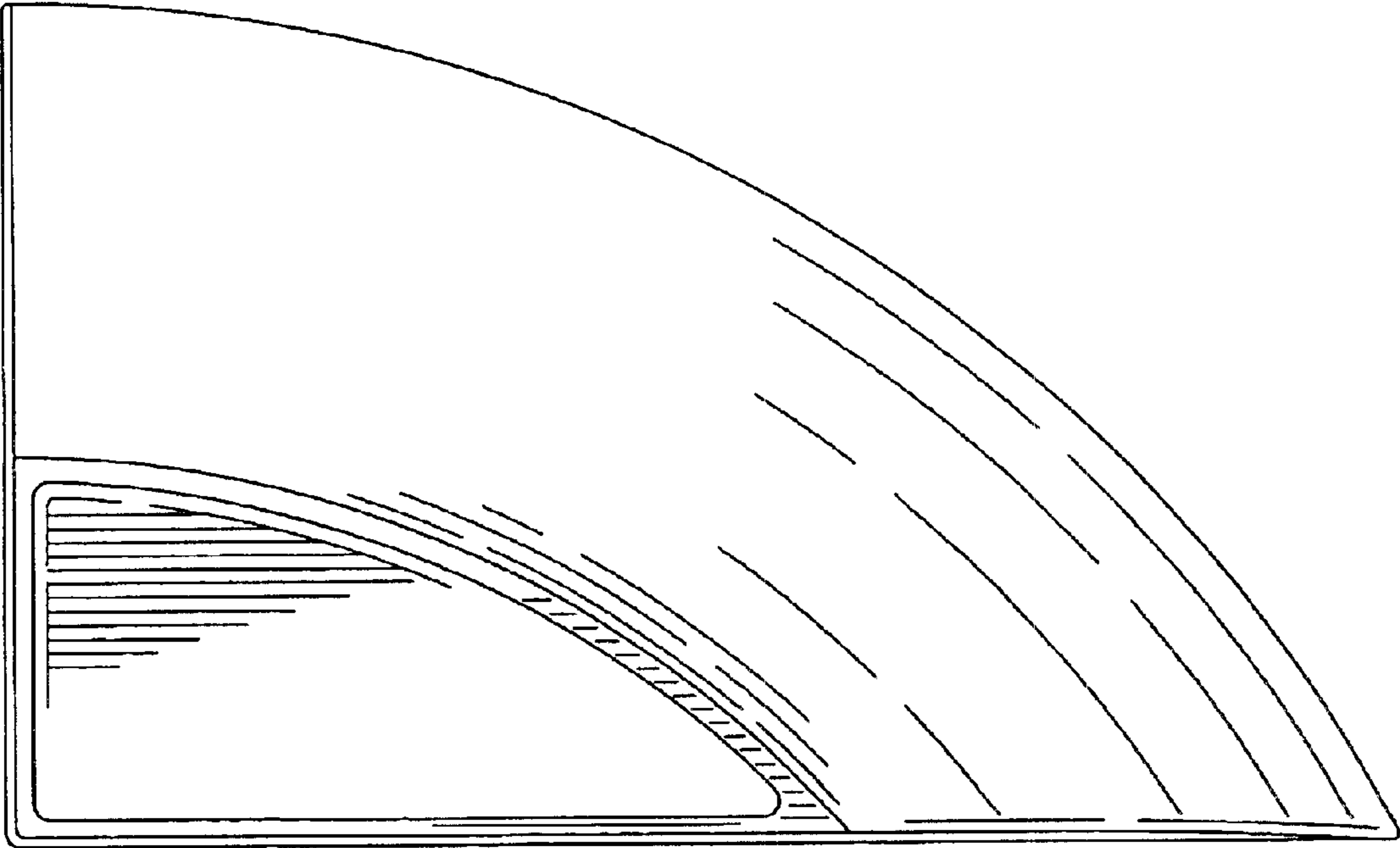


FIG. 7

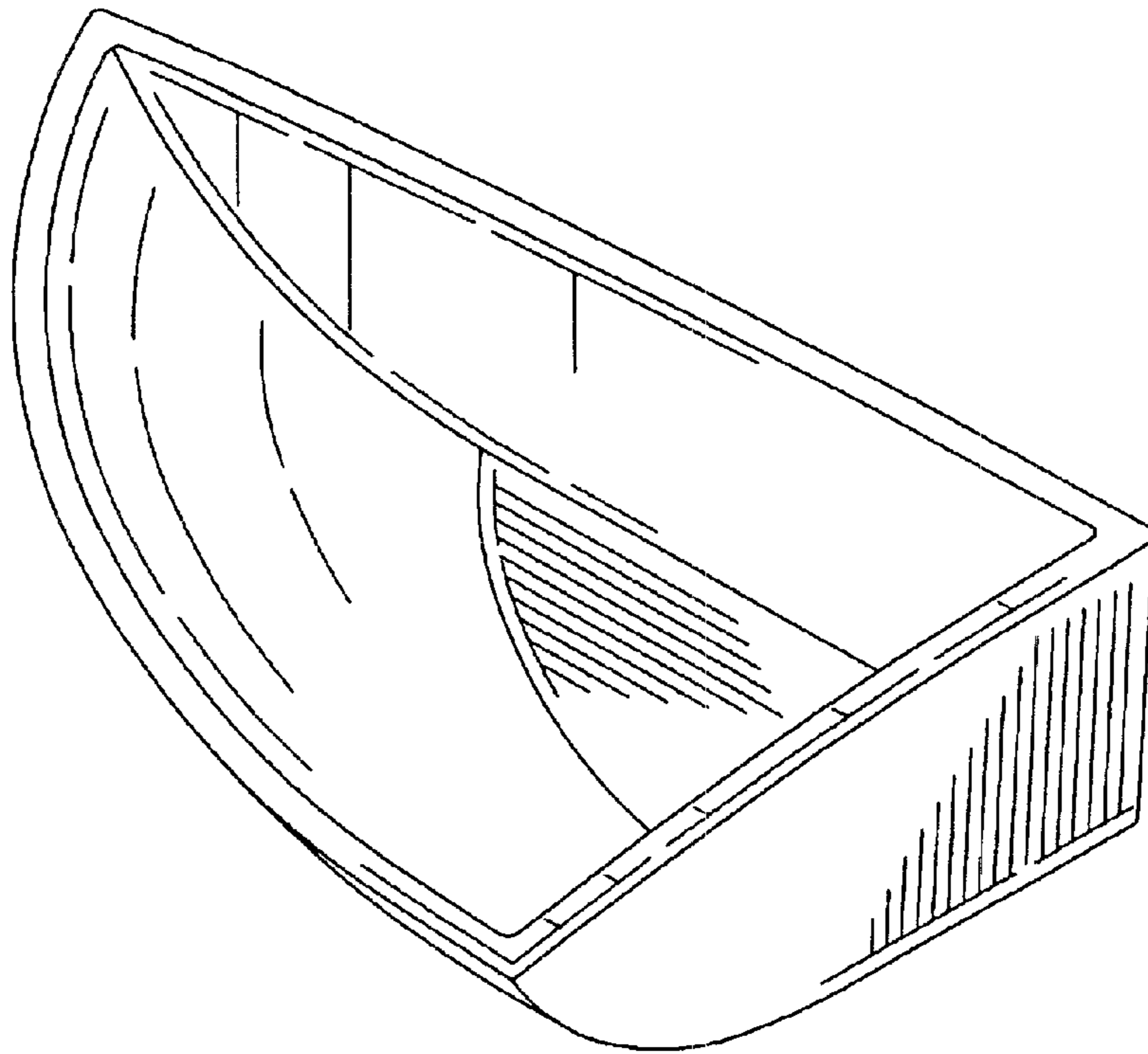


FIG. 8

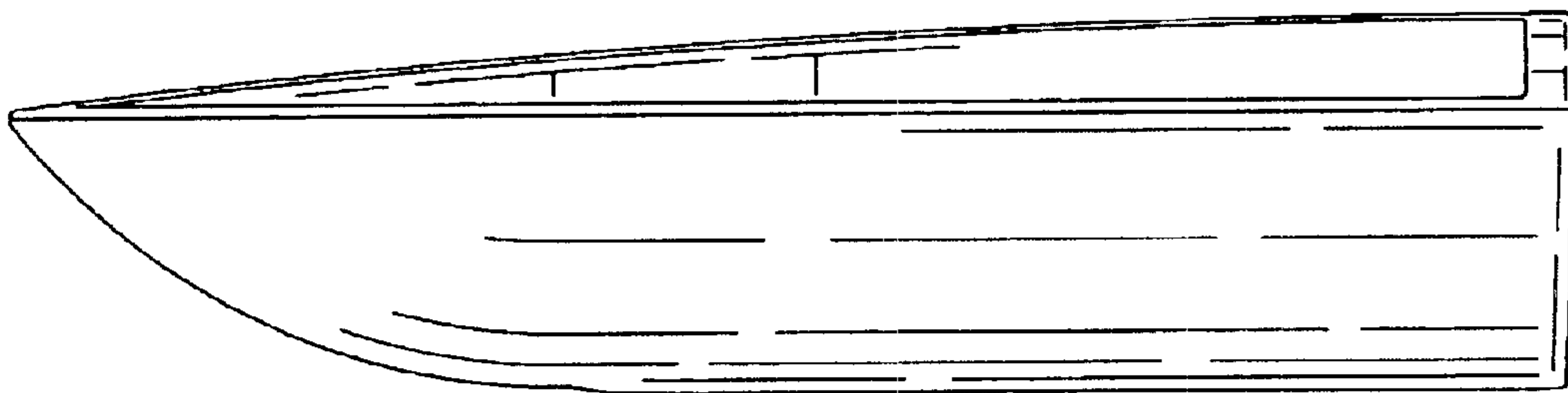


FIG. 9

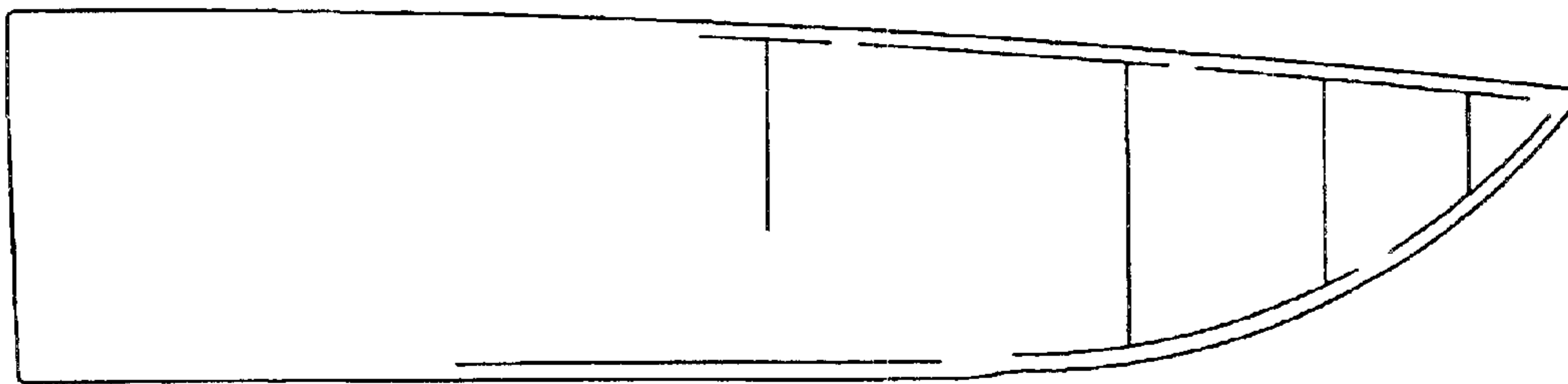


FIG. 10

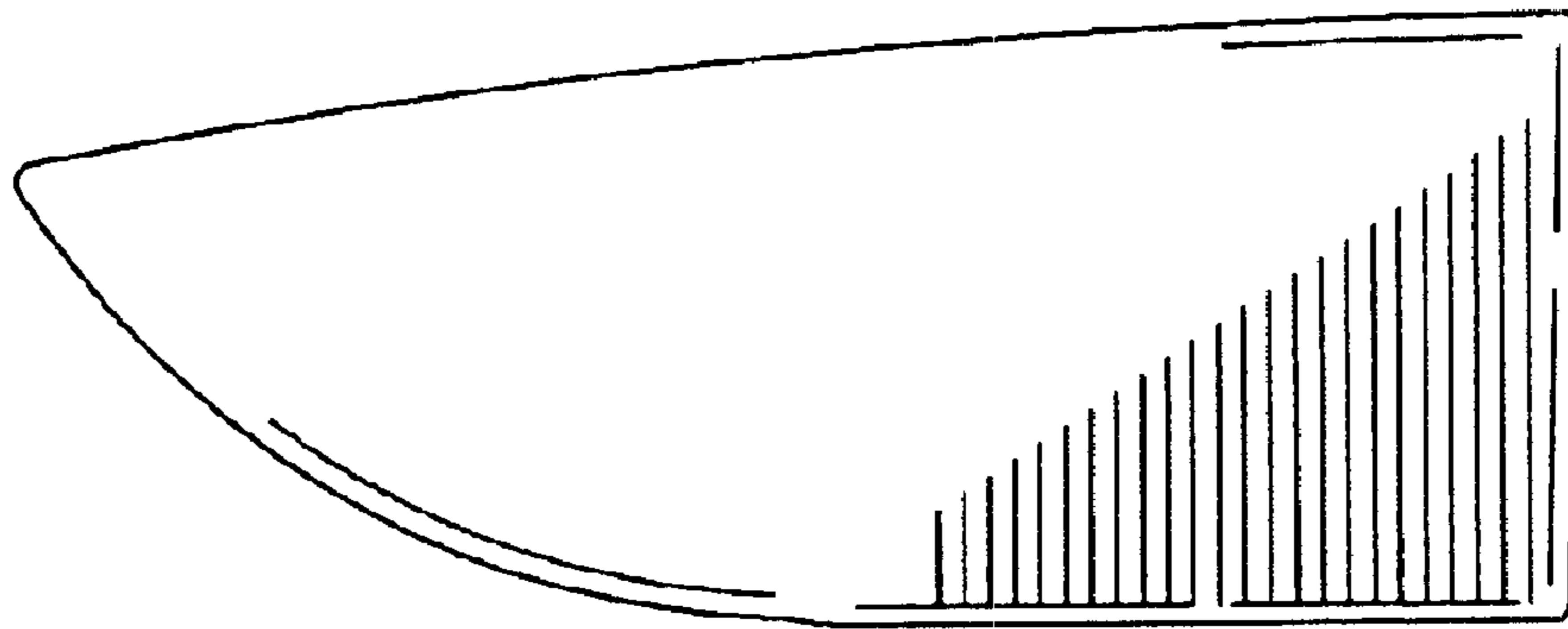


FIG. 11

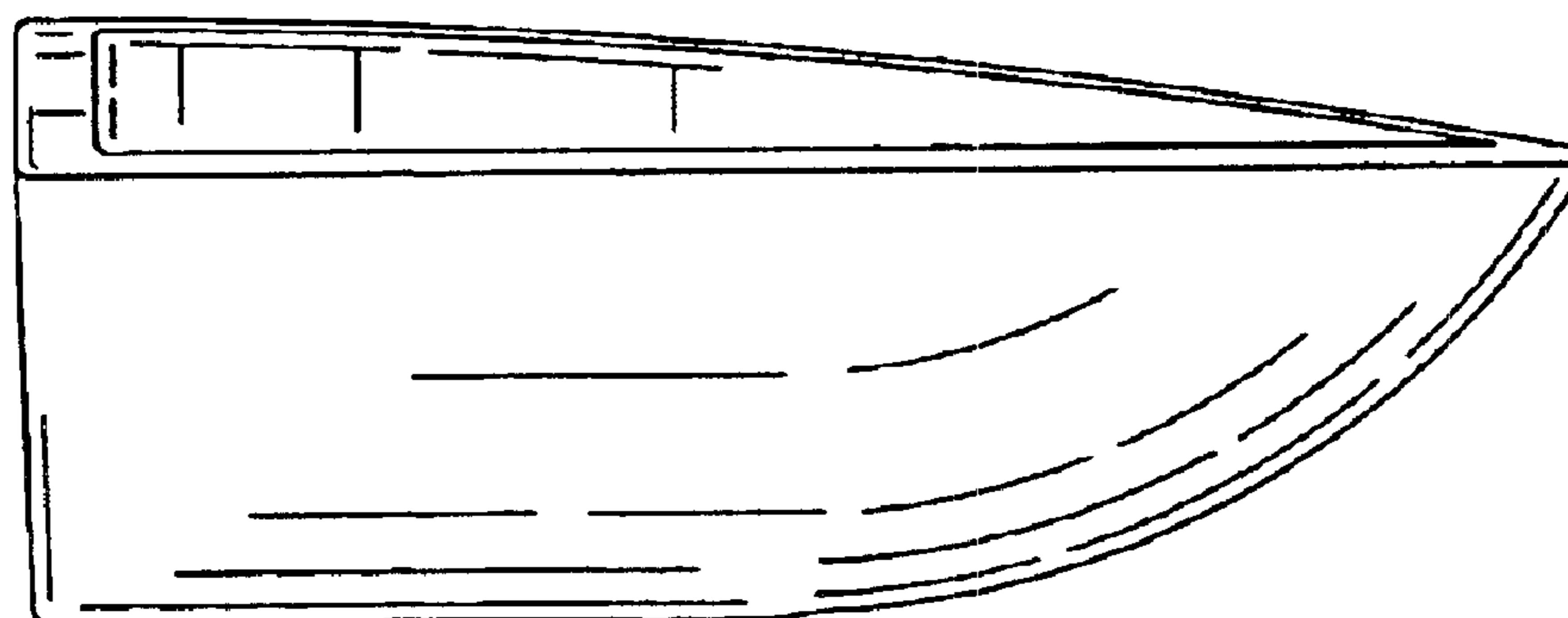


FIG. 12

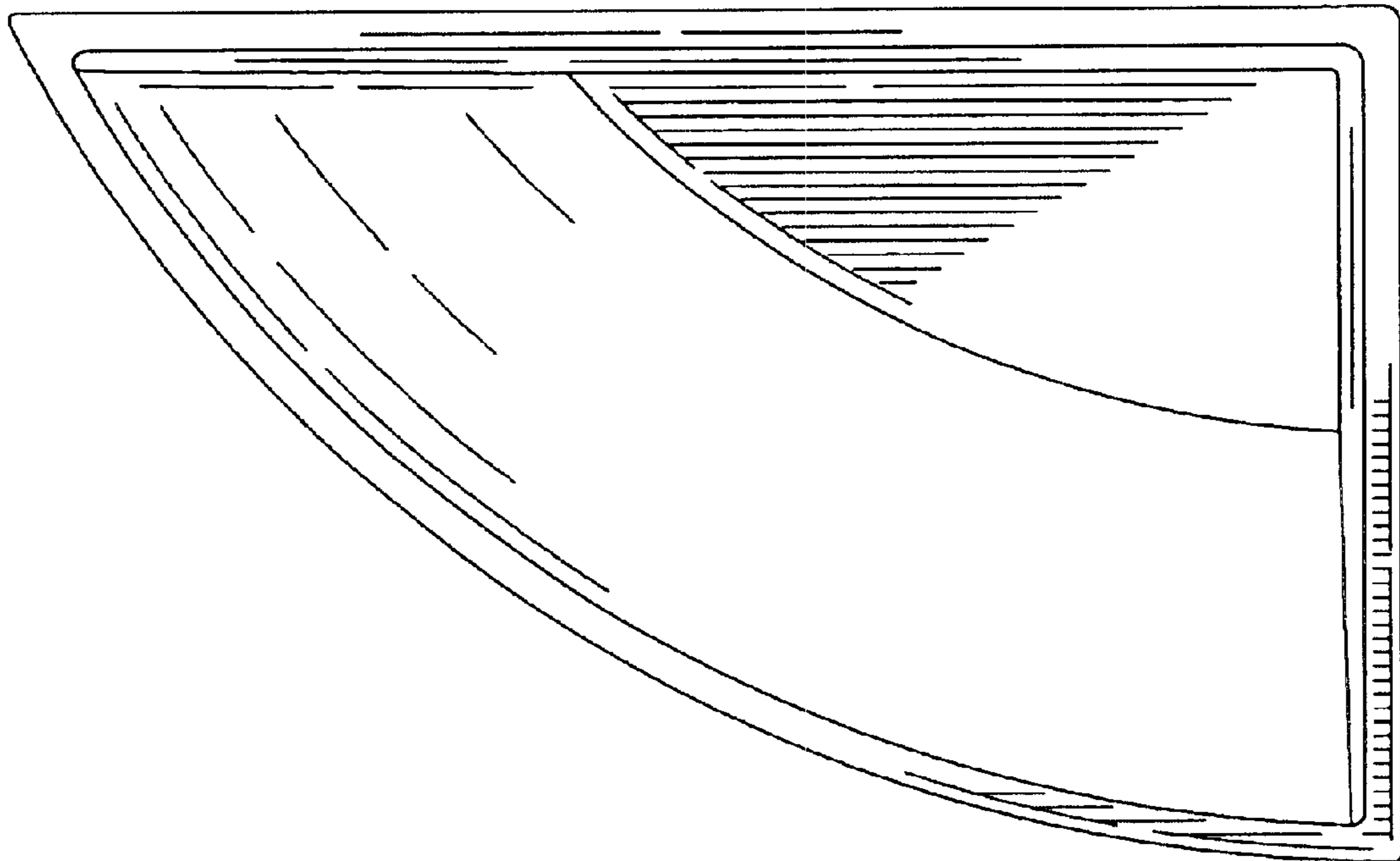


FIG. 13

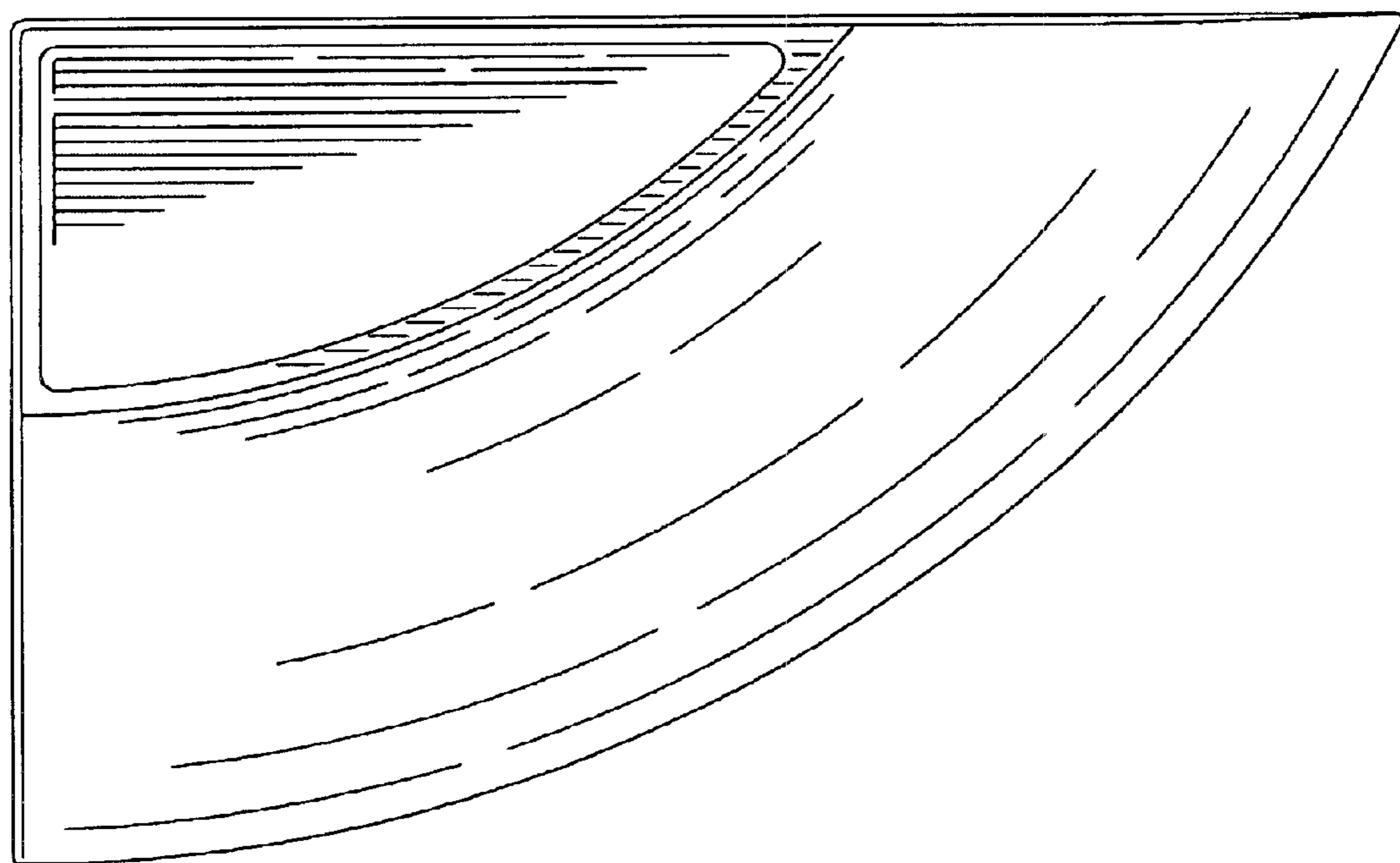


FIG. 14