



US00D499608S

(12) **United States Design Patent** (10) **Patent No.:** **US D499,608 S**  
**Cintron et al.** (45) **Date of Patent:** **\*\* Dec. 14, 2004**

(54) **BEVERAGE CONTAINER** D477,185 S \* 7/2003 Janky ..... D7/511

(76) Inventors: **Jacqueline T. Cintron**, 694 N. Coast Hwy. #3, Laguna Beach, CA (US) 92651; **Richard L. Humphrey**, One Kioloa Ct., Newport Beach, CA (US) 92663; **Thomas S. Fox**, 1992 Orange Ave., Costa Mesa, CA (US) 92627; **Matthew R. Ford**, 268 Grandview, Laguna Beach, CA (US) 92651; **Bryan H. Vollmer**, 19416 Dorado Dr., Trabuco Canyon, CA (US) 92679

\* cited by examiner

*Primary Examiner*—M. N. Pandozzi  
(74) *Attorney, Agent, or Firm*—Knobbe, Martens, Olson & Bear LLP

(\*\*) Term: **14 Years**

(21) Appl. No.: **29/181,712**

(22) Filed: **May 15, 2003**

(51) **LOC (7) Cl.** ..... **07-01**

(52) **U.S. Cl.** ..... **D7/510; D7/511**

(58) **Field of Search** ..... D7/510, 511, 509, D7/619.1, 316, 523; 215/375, 387, DIG. 7, 11.6; 220/711, 705, 603, 714, 703, 592.16, 592.17; D9/537, 530, 538, 522, 540; 222/568, 205

(56) **References Cited**

**U.S. PATENT DOCUMENTS**

D247,840 S	*	5/1978	Dixon	.....	D7/510
D339,068 S	*	9/1993	Bell et al.	.....	D9/538
D350,672 S	*	9/1994	Egger et al.	.....	D7/510
D367,206 S	*	2/1996	Green	.....	D7/510
D412,120 S	*	7/1999	Payne et al.	.....	D9/540
D436,296 S	*	1/2001	Freed	.....	D7/523
D436,802 S	*	1/2001	Kaposi et al.	.....	D7/510
D437,185 S	*	2/2001	Freed	.....	D7/510
D442,436 S	*	5/2001	Kleckauskas et al.	.....	D7/511
D457,035 S	*	5/2002	Hurlbut	.....	D7/510
D464,849 S	*	10/2002	Norris et al.	.....	D7/523
D467,122 S	*	12/2002	Janky	.....	D7/510
D469,309 S	*	1/2003	Janky	.....	D7/510
D472,100 S	*	3/2003	Gullickson et al.	.....	D7/510
6,527,137 B1	*	3/2003	Kleckauskas et al.	.....	220/705
D474,367 S	*	5/2003	Turchi et al.	.....	D7/316
D475,891 S	*	6/2003	Bin	.....	D7/510
D477,183 S	*	7/2003	Janky	.....	D7/509

(57) **CLAIM**

The ornamental design for a beverage container, as shown and described.

**DESCRIPTION**

FIG. 1 is a perspective view of one embodiment of a beverage container according to the present invention; FIG. 2 is a top plan view of the beverage container of FIG. 1;

FIG. 3 is a bottom plan view of the beverage container of FIG. 1;

FIG. 4 is a front elevation view of the beverage container of FIG. 1;

FIG. 5 is a rear elevation view of the beverage container of FIG. 1;

FIG. 6 is a left-side elevation view of the beverage container of FIG. 1, the right-side elevation view being a mirror image thereof.

FIG. 7 is a perspective view of another embodiment of a beverage container according to the present invention;

FIG. 8 is a top plan view of the beverage container of FIG. 7;

FIG. 9 is a bottom plan view of the beverage container of FIG. 7;

FIG. 10 is a front elevation view of the beverage container of FIG. 7;

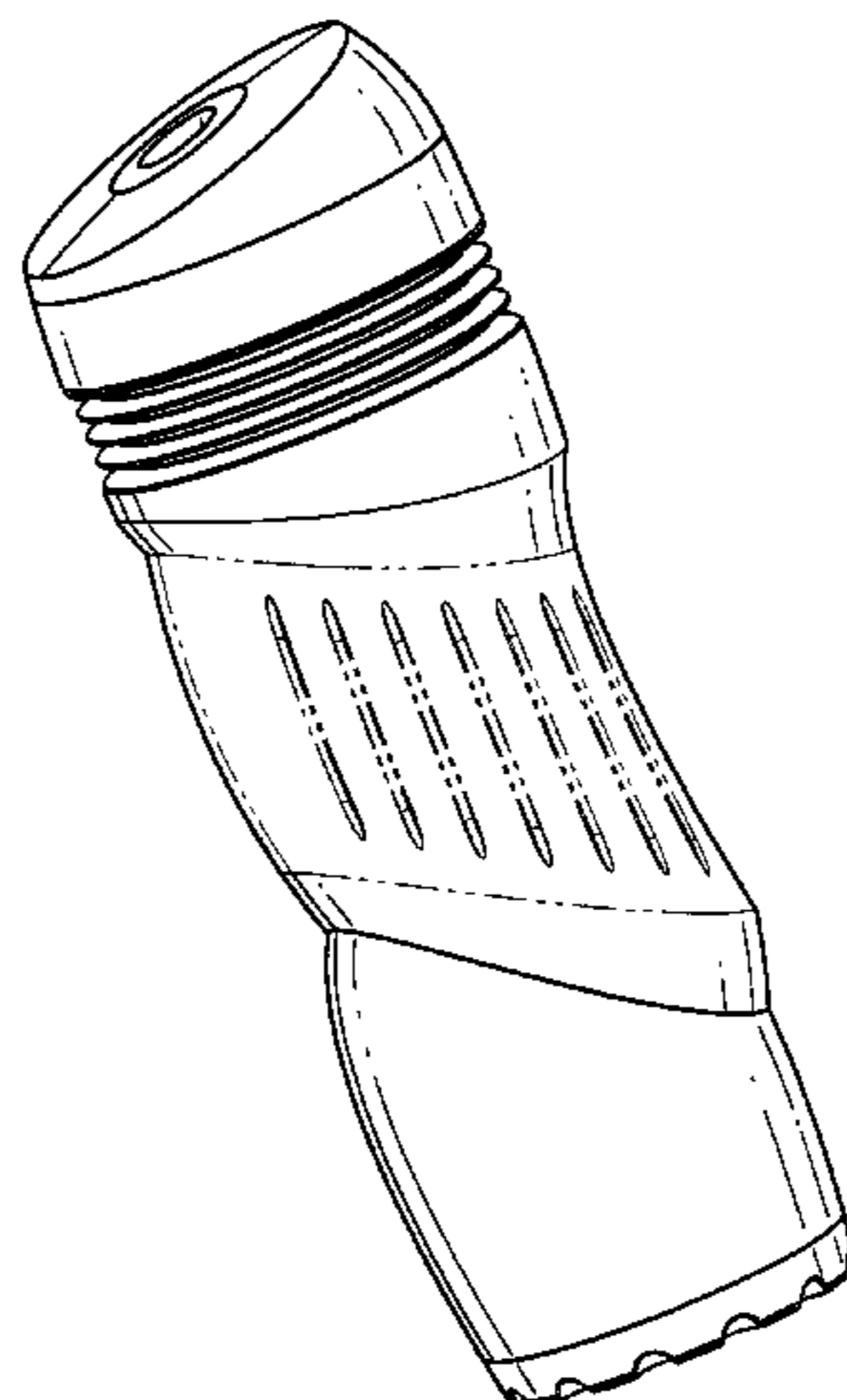
FIG. 11 is a rear elevation view of the beverage container of FIG. 7; and,

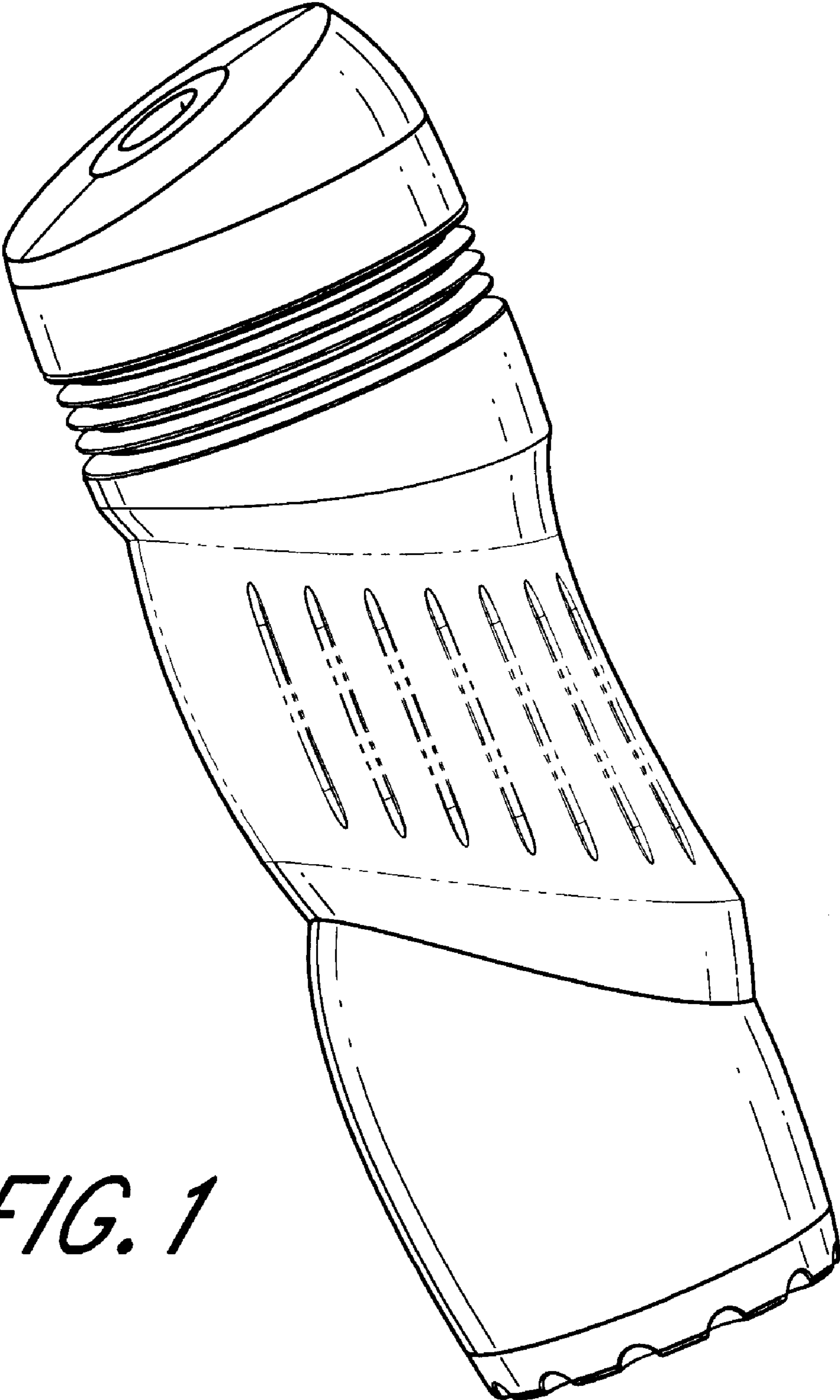
FIG. 12 is a left-side elevation view of the beverage container of FIG. 7, the right-side elevation view being a mirror image thereof.

Phantom lining, where utilized, is for illustrative purposes only and is not intended to limit the claimed design to the features shown in phantom.

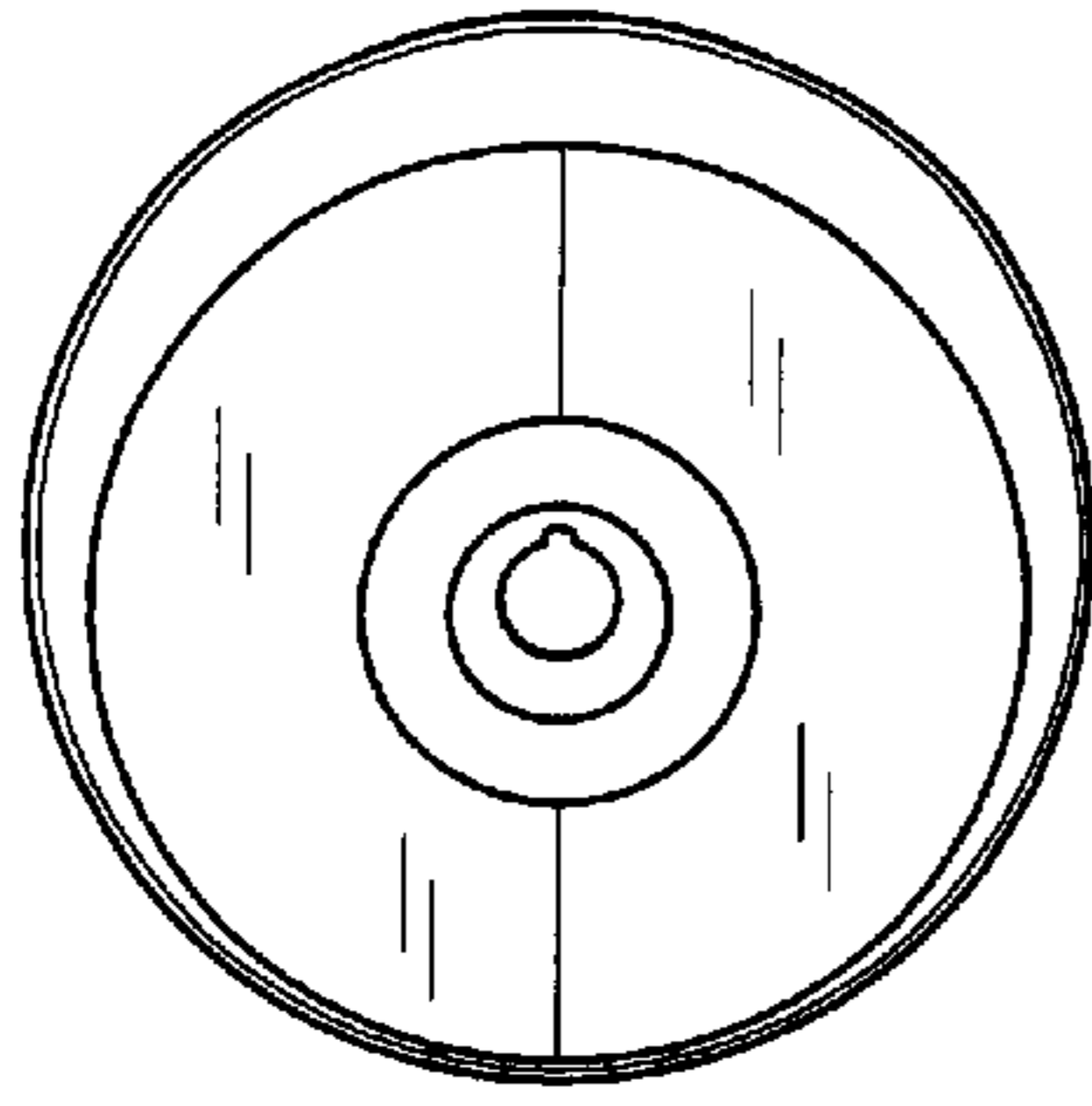
The broken lines in the drawings are for illustrative purposes only and forms no part of the claimed design.

**1 Claim, 6 Drawing Sheets**

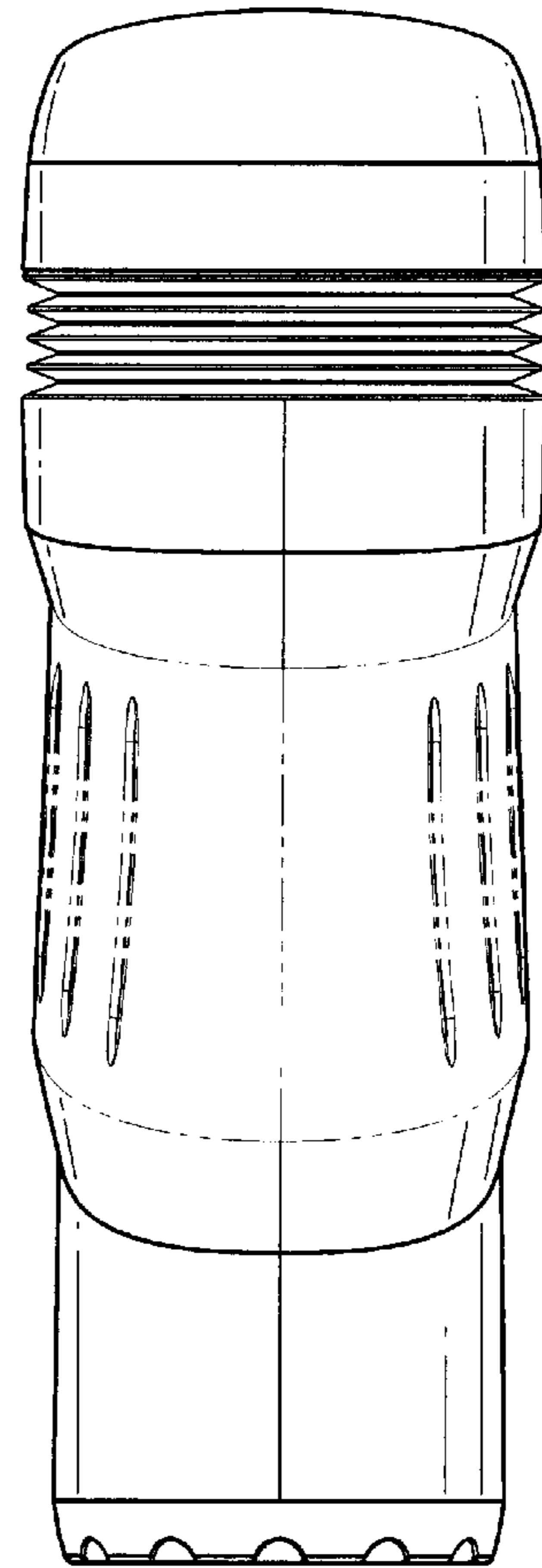




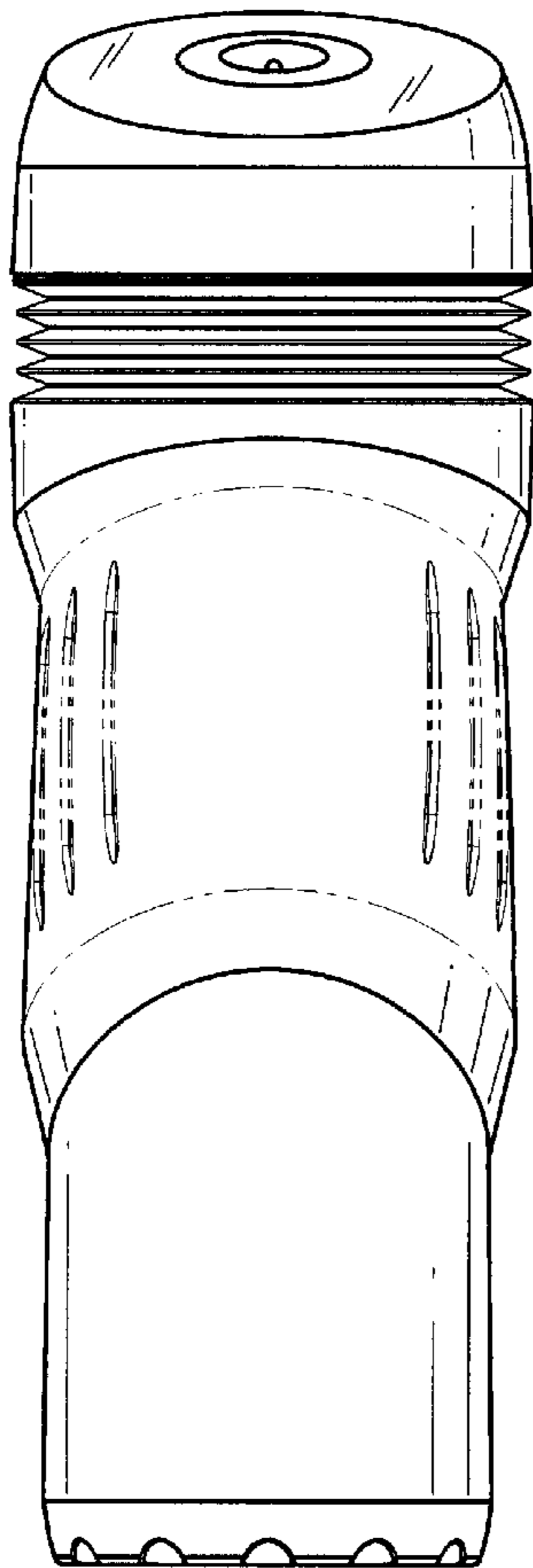
*FIG. 1*



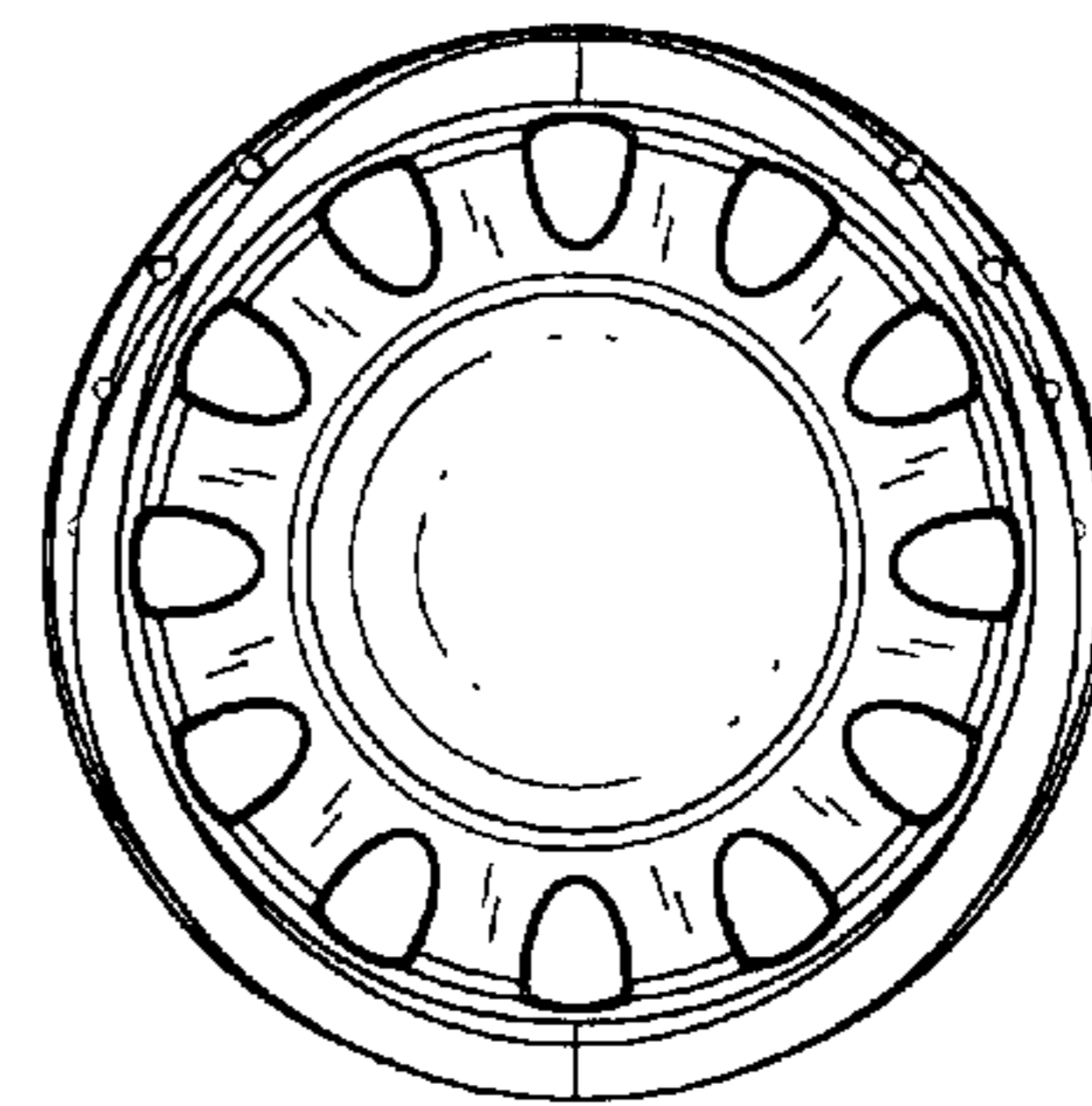
*FIG. 2*



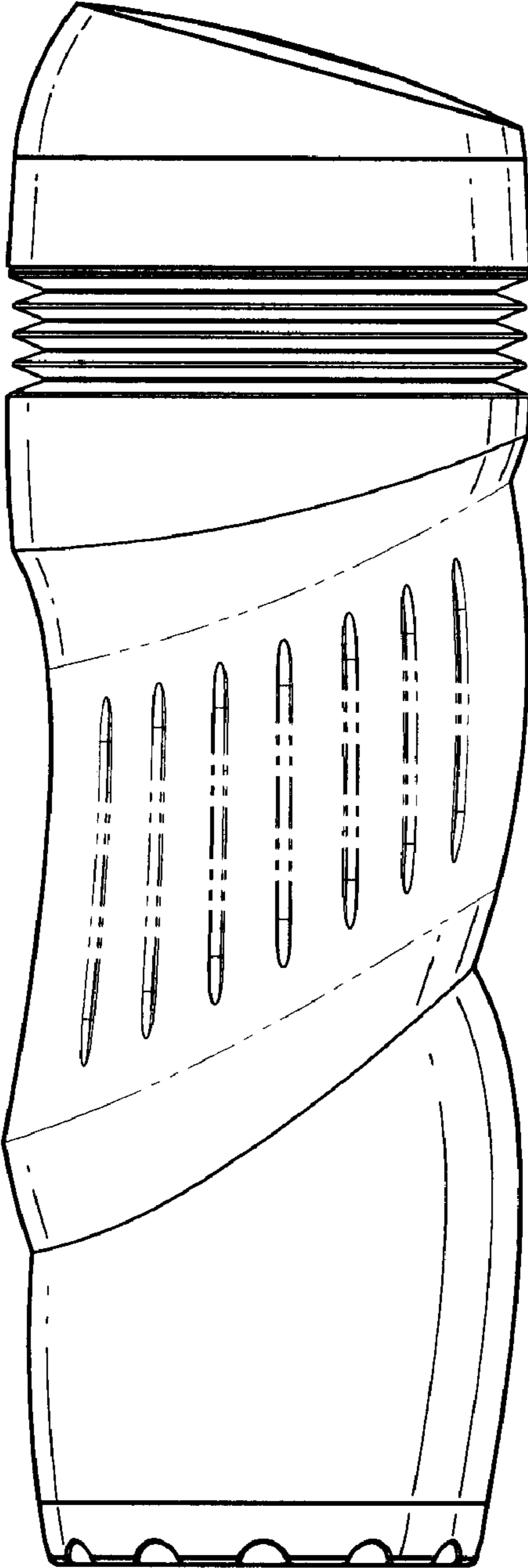
*FIG. 5*



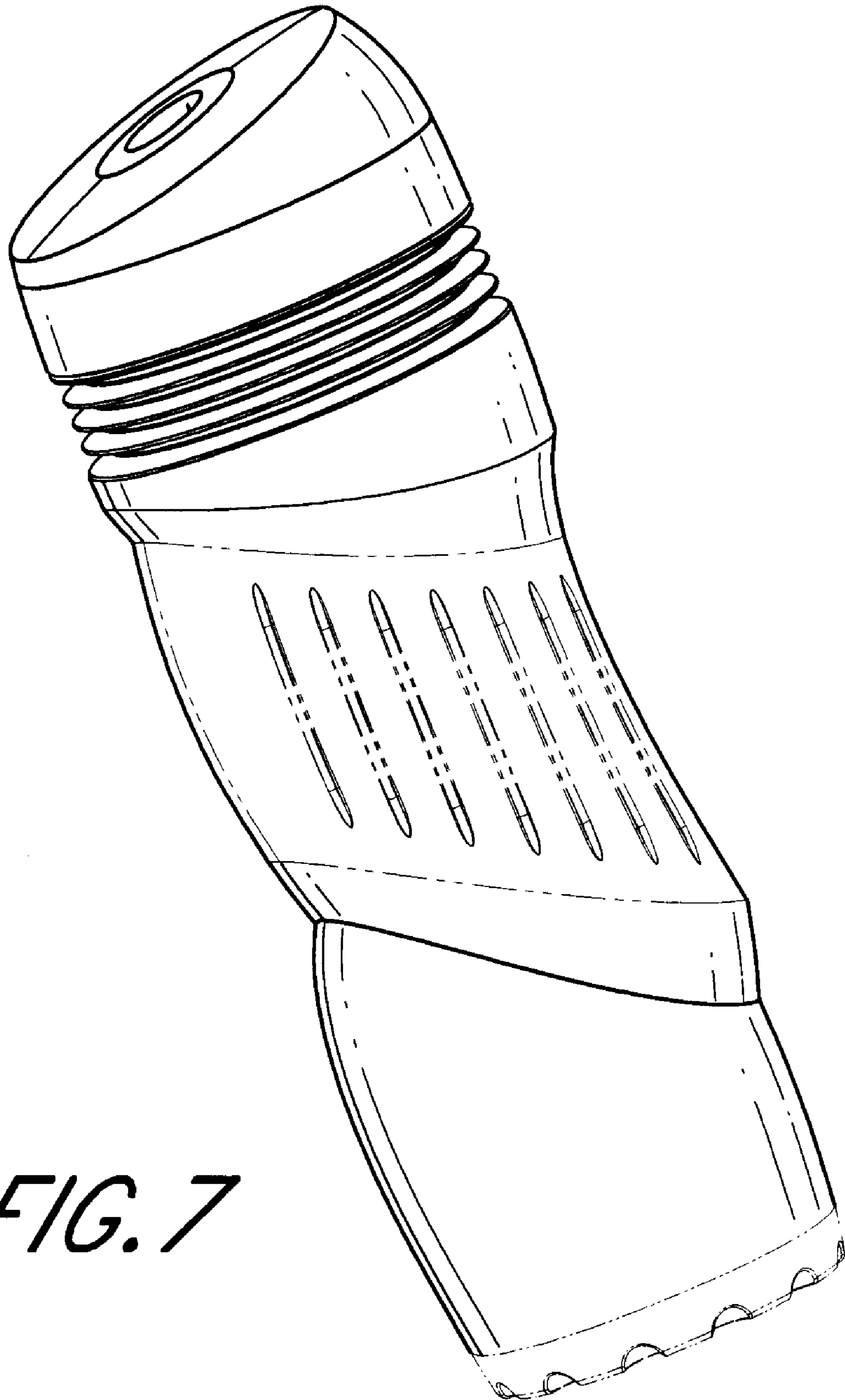
*FIG. 4*



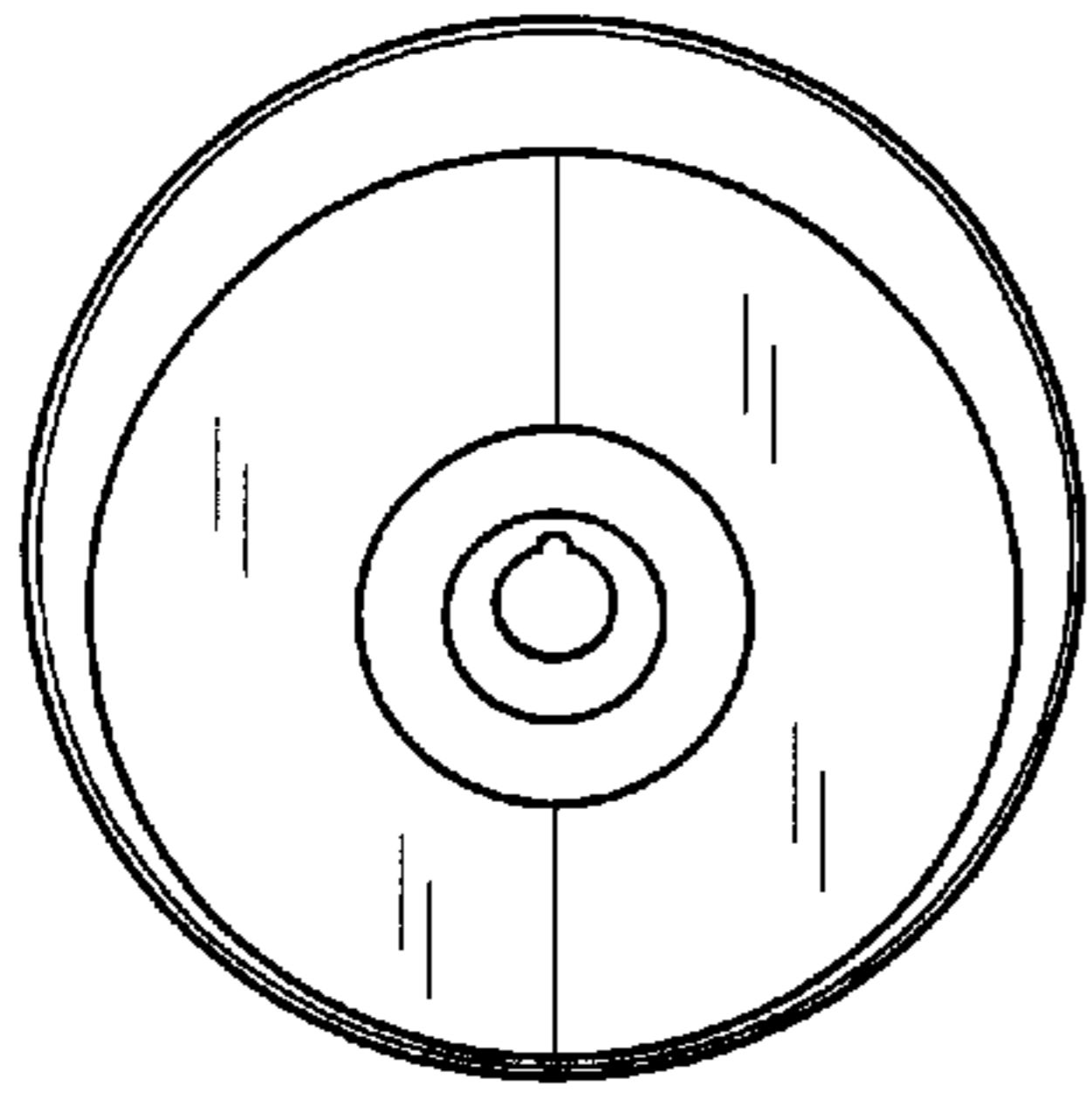
*FIG. 3*



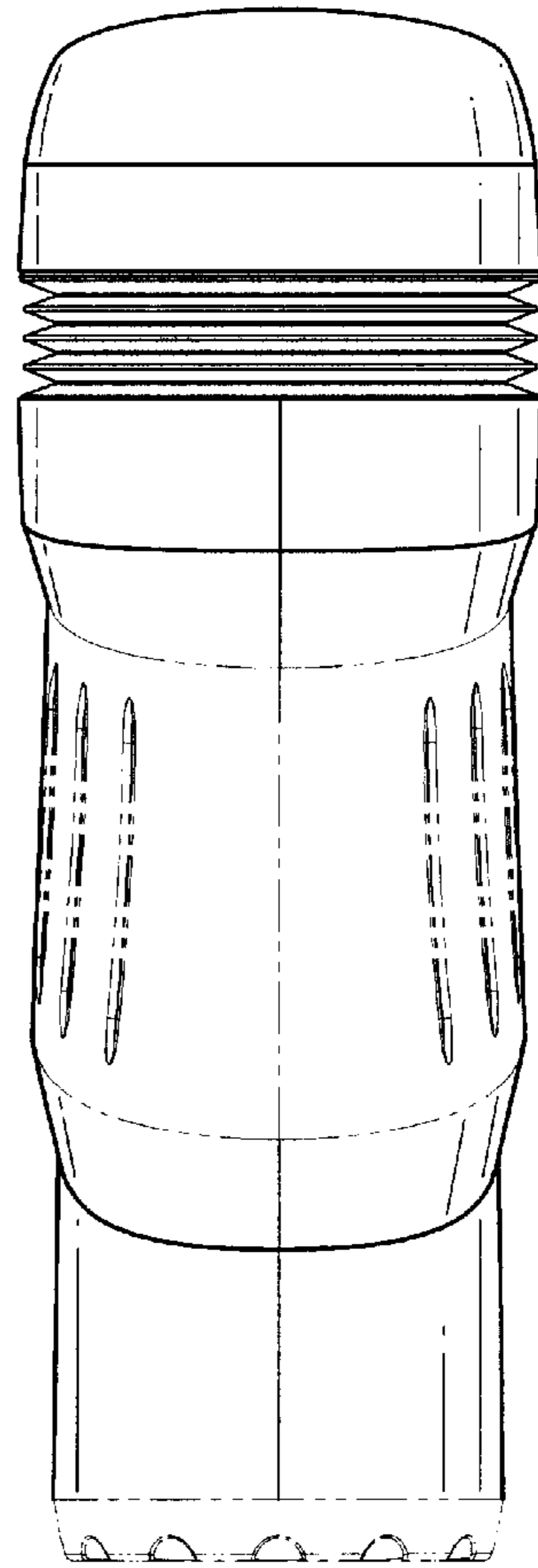
*FIG. 6*



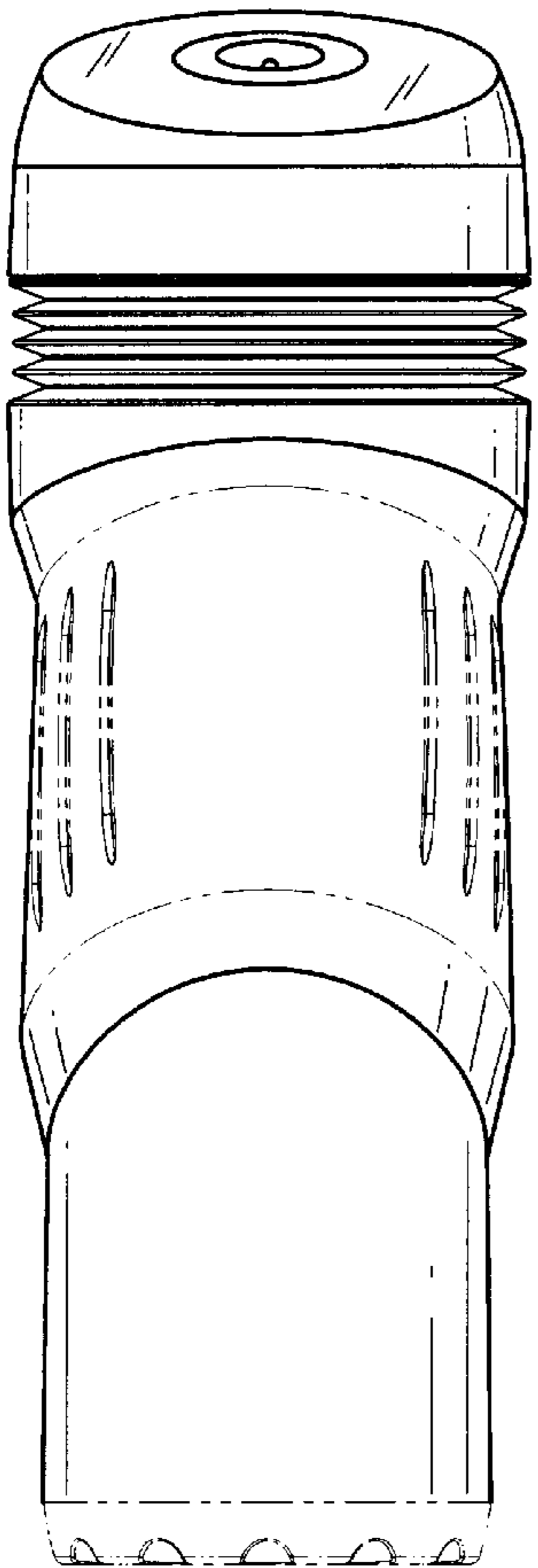
*FIG. 7*



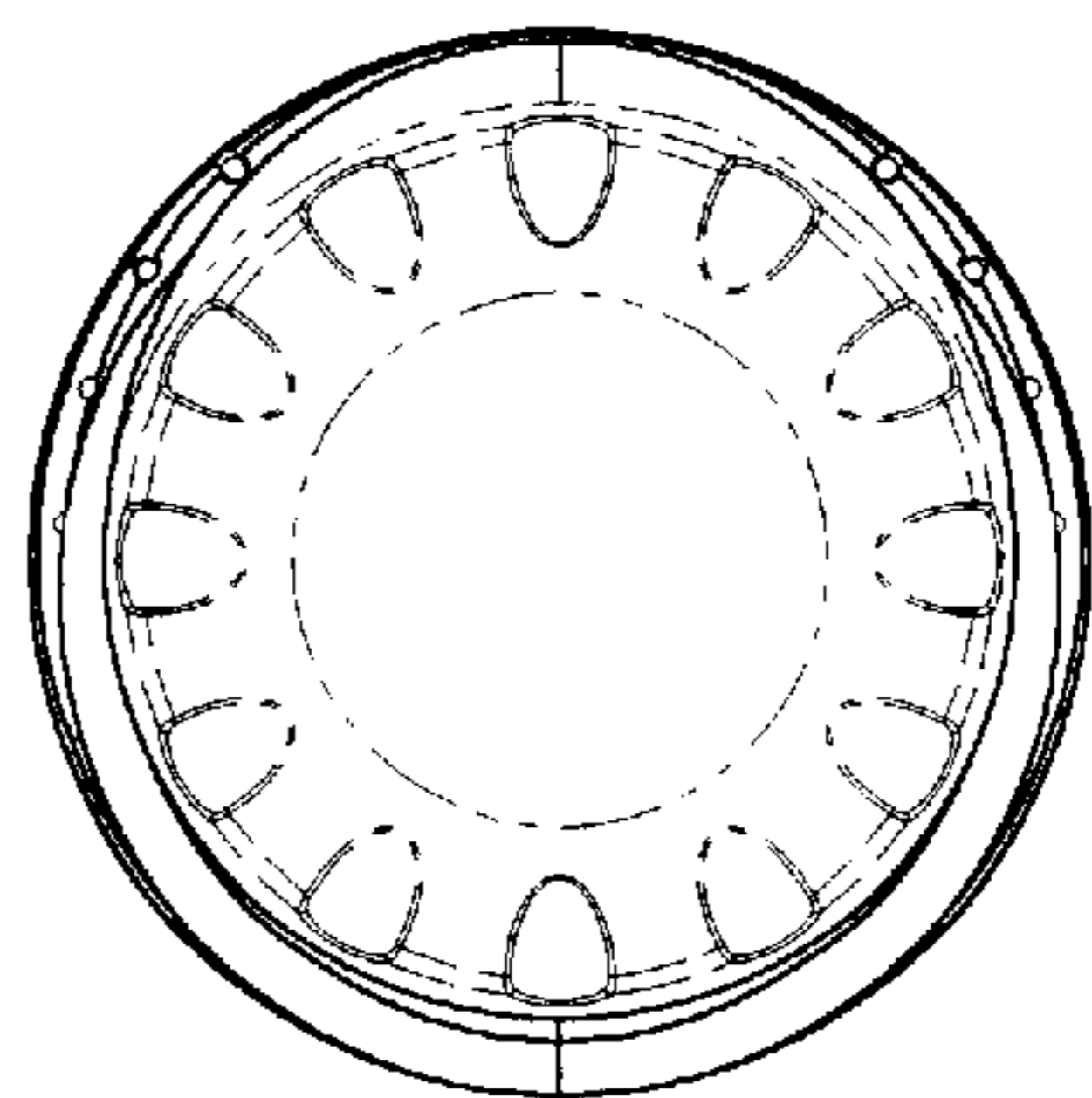
*FIG. 8*



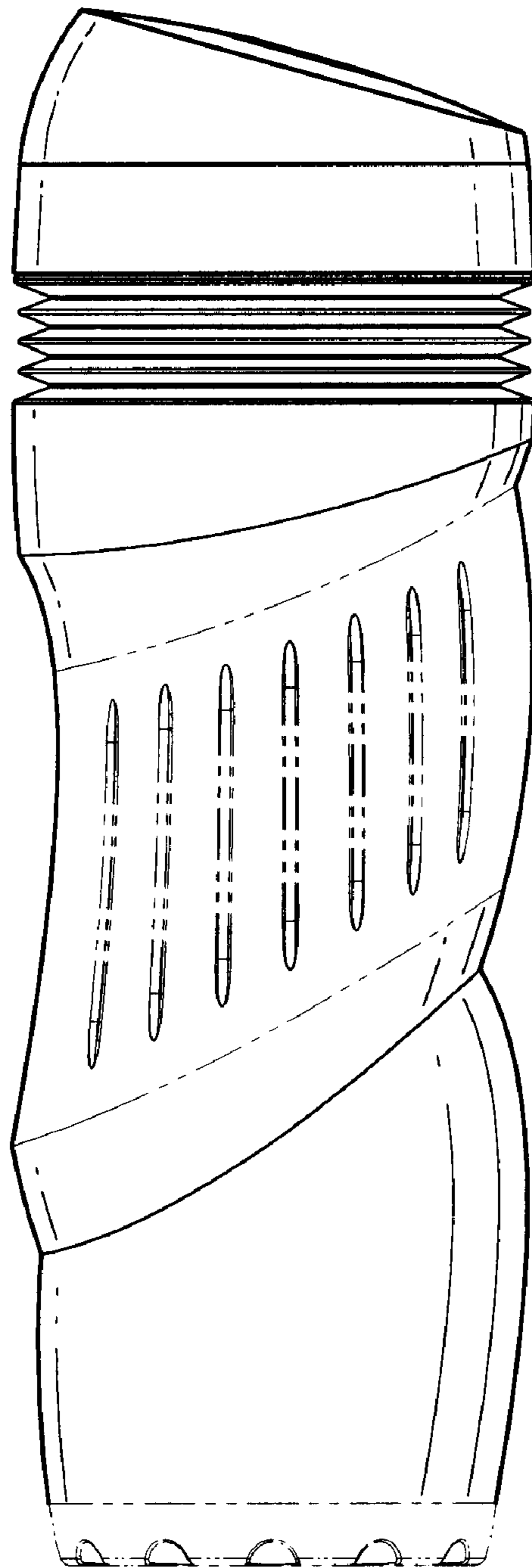
*FIG. 11*



*FIG. 10*



*FIG. 9*



*FIG. 12*