



US00D499607S

(12) **United States Design Patent** (10) **Patent No.:** **US D499,607 S**
Lyon (45) **Date of Patent:** **** Dec. 14, 2004**

(54) **ARTICLE HOLDER**

(76) **Inventor:** **Michael D. Lyon**, 205 N. Ingles,
Lawson, MO (US) 64062

(**) **Term:** **14 Years**

(21) **Appl. No.:** **29/190,065**

(22) **Filed:** **Sep. 15, 2003**

(51) **LOC (7) Cl.** **07-01**

(52) **U.S. Cl.** **D7/504**

(58) **Field of Search** D7/504, 550.1,
D7/553.1-553.3, 555; D6/467; 99/426;
206/562-564; 211/10, 11, 13.1, 60.1, 70.1,
85.4; 220/574-575; 248/174, 176.1

(56) **References Cited**

U.S. PATENT DOCUMENTS

D246,491 S	*	11/1977	D'Alo	D6/467
D312,946 S	*	12/1990	Schoen	D7/504
D334,867 S	*	4/1993	May	D7/504
5,628,245 A	*	5/1997	Baze	99/426
6,273,278 B1	*	8/2001	Enyedy et al.	211/85.4

* cited by examiner

Primary Examiner—Terry A. Wallace
(74) *Attorney, Agent, or Firm*—Mark F. Brown

(57) **CLAIM**

The ornamental design for an article holder, as shown and described.

DESCRIPTION

FIG. 1 is an upper, front, left side perspective view of an article holder, showing my new design;

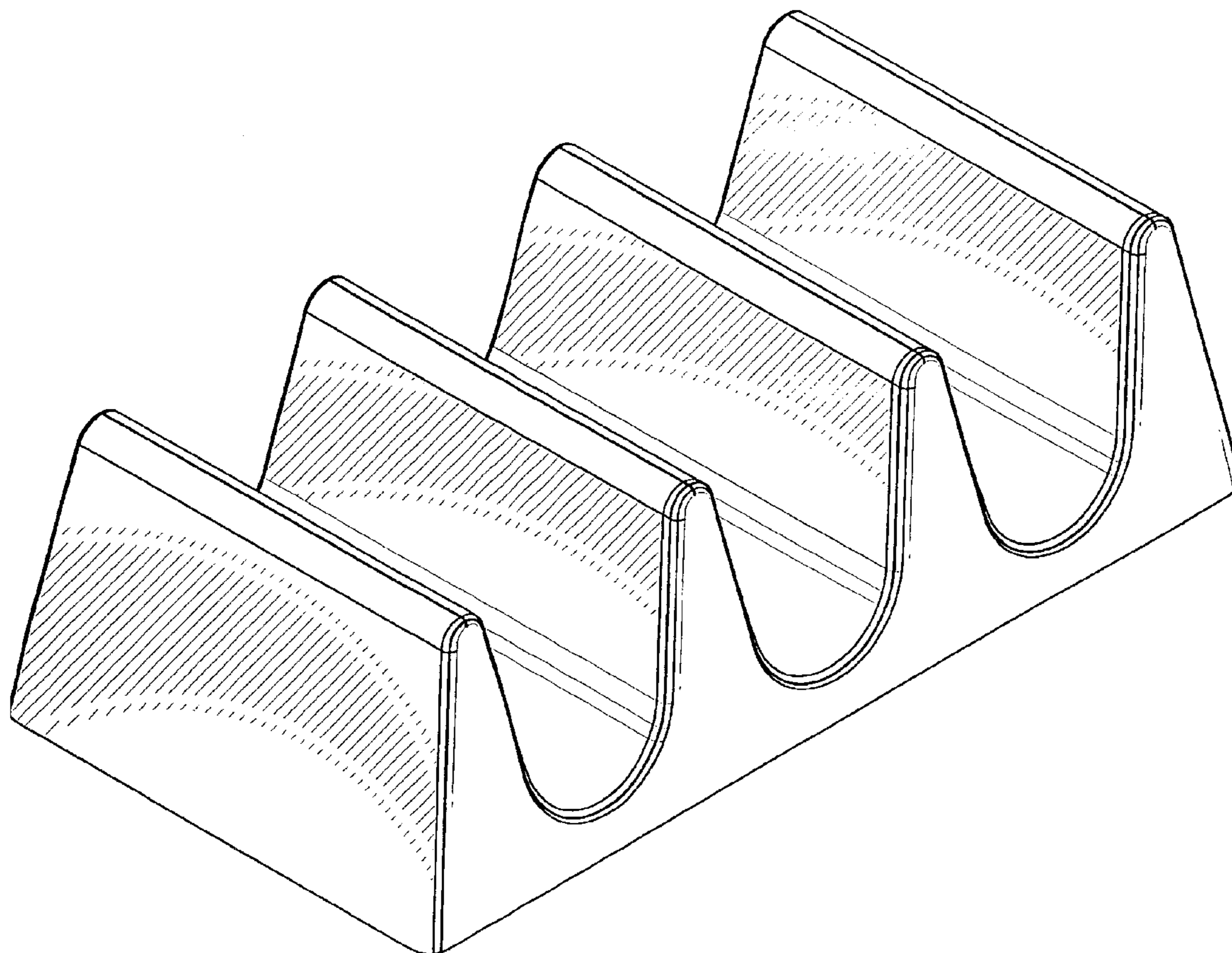
FIG. 2 is a top plan view thereof;

FIG. 3 is a bottom plan view thereof;

FIG. 4 is a front elevational view thereof, the back elevation being a mirror image thereof; the environment comprising a taco shell is shown in dashed lines for illustrative purposes only; and,

FIG. 5 is a right side elevational view thereof, the left side elevation being a mirror image thereof; the environment comprising a taco shell is shown in dashed lines for illustrative purposes only.

1 Claim, 5 Drawing Sheets



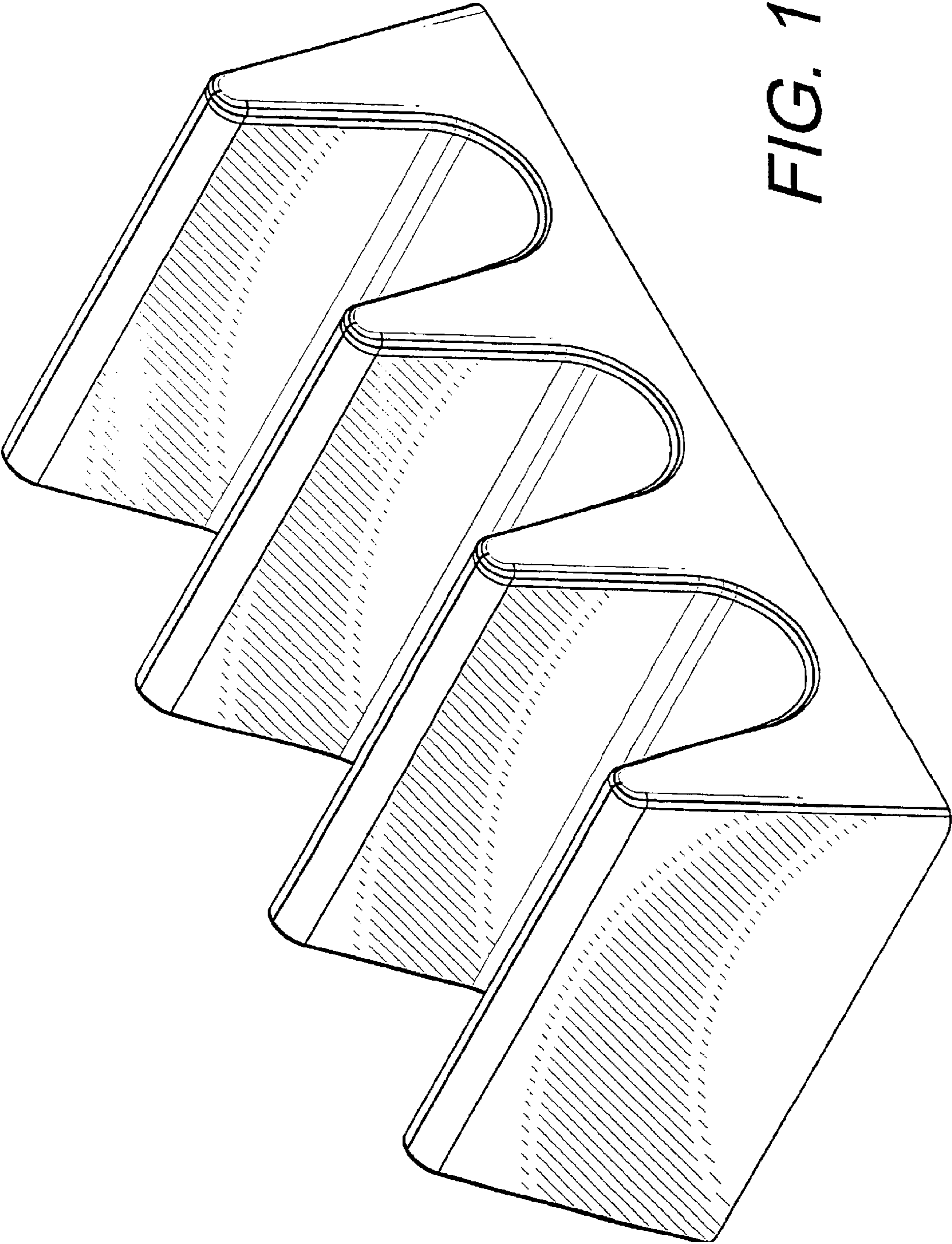


FIG. 1

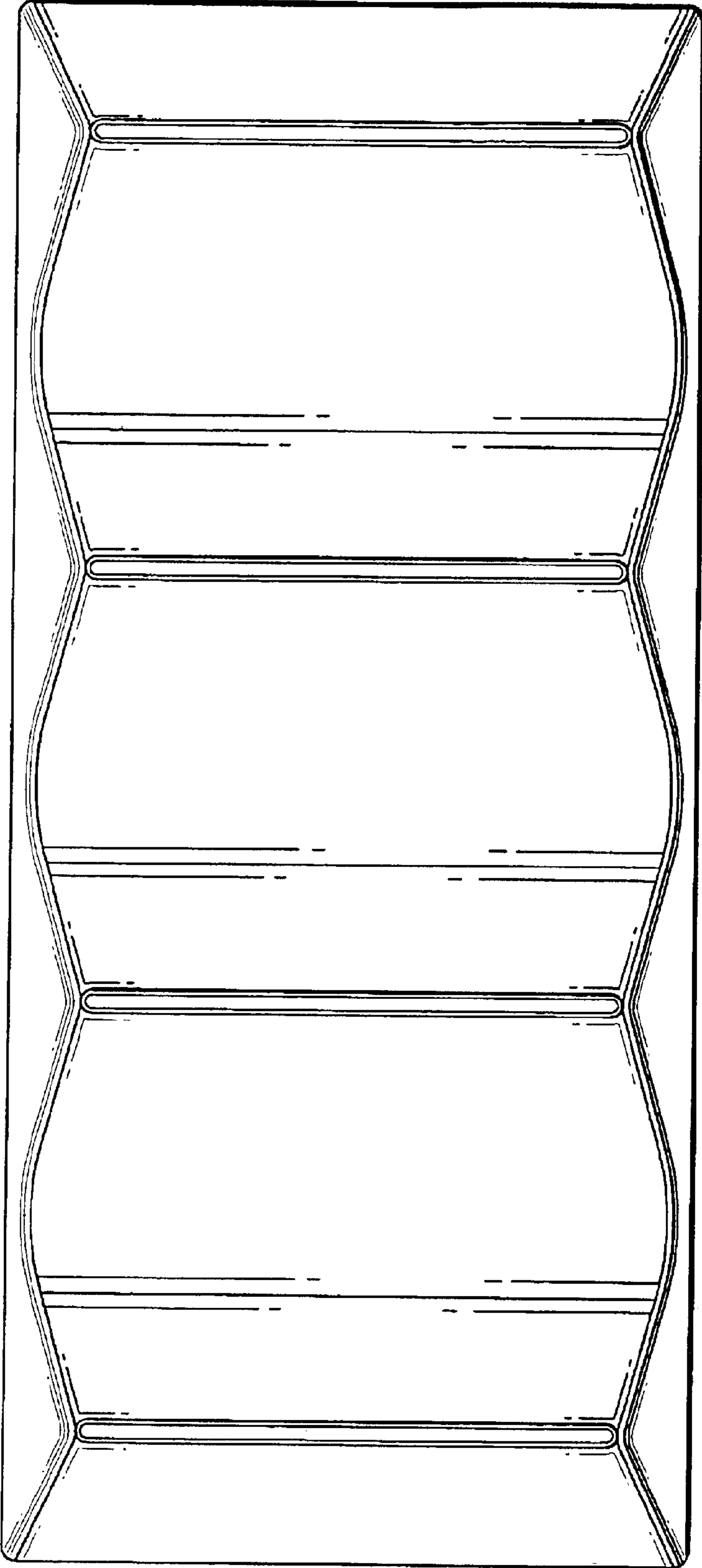


FIG. 2

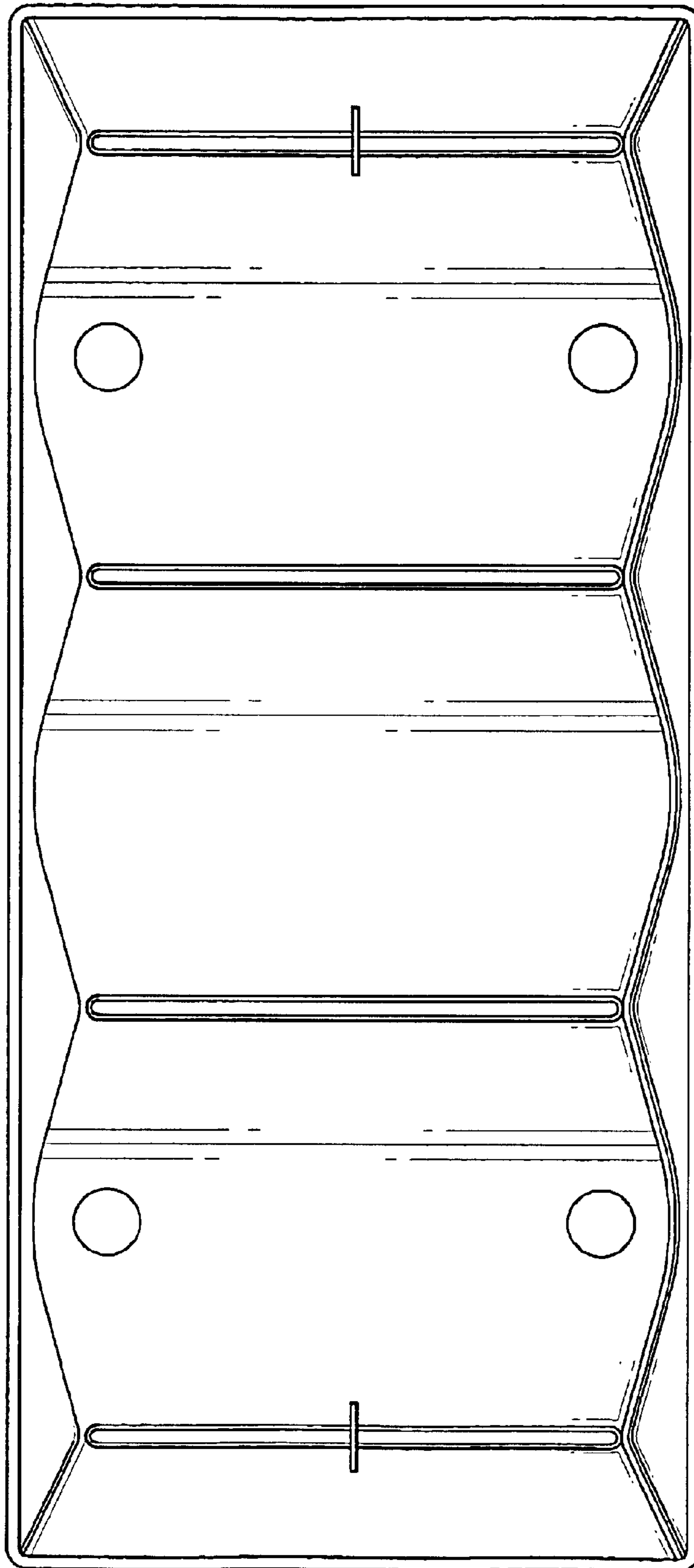


FIG. 3

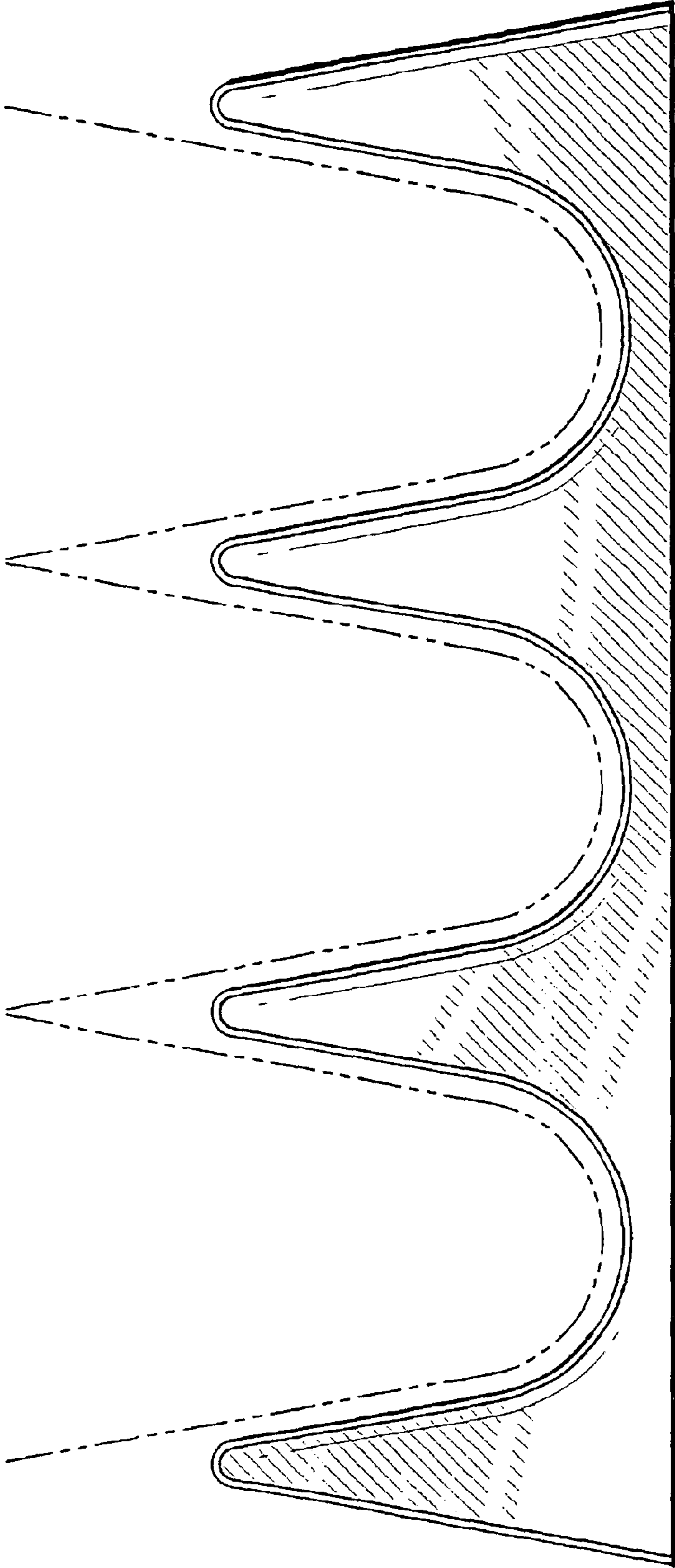


FIG. 4

FIG. 5

