

US00D499604S

(12) **United States Design Patent**
Hooper et al.

(10) **Patent No.: US D499,604 S**

(45) **Date of Patent: ** Dec. 14, 2004**

(54) **STAND MIXER**

(75) Inventors: **Ryan Hooper**, Greenwood, MS (US);
Brent Bailey, Greenwood, MS (US)

(73) Assignee: **Viking Range Corporation**,
Greenwood, MS (US)

(**) Term: **14 Years**

(21) Appl. No.: **29/190,126**

(22) Filed: **Sep. 16, 2003**

(51) **LOC (7) Cl. 31-00**

(52) **U.S. Cl. D7/379; D7/376**

(58) **Field of Search** D7/376-386, 412,
D7/413, 665; 99/509-511; 241/30, 33, 37.5,
101.01-101.2, 166-169.1, 274-278.2, 285.1-285.3,
291; 366/64-67, 98-100, 129, 130, 197-201,
205-207, 219-221, 241-254, 279-282,
341-347

(56) **References Cited**

U.S. PATENT DOCUMENTS

D131,792 S	*	3/1942	Strauss	D7/379
D149,176 S		4/1948	Fleischmann		
D189,936 S	*	3/1961	Grange	D7/379
D196,638 S		10/1963	Parker et al.		
D209,072 S	*	10/1967	Duncan	D7/379
D235,371 S		6/1975	Ponkey et al.		
D237,901 S		12/1975	Moran et al.		
D246,715 S		12/1977	Clement		
4,223,997 A		9/1980	Violet et al.	366/47
D265,166 S	*	6/1982	Ernest et al.	D7/386
4,357,109 A		11/1982	Blakeway	366/55
D286,258 S	*	10/1986	Grange	D7/379
4,671,666 A		6/1987	Herfeld	366/197
4,750,840 A		6/1988	Bishop	366/54

5,524,530 A		6/1996	Nijzingh et al.	99/492
D387,610 S		12/1997	Hippen et al.	D7/379
D391,442 S		3/1998	Sundquist	D7/378
D394,781 S	*	6/1998	Doggett	D7/379
5,809,872 A		9/1998	Sundquist	99/492
5,957,578 A		9/1999	Holbrook et al.	366/197
D438,424 S	*	3/2001	Po-Hei	D7/379
D447,907 S	*	9/2001	Po-Hei	D7/379
D448,966 S		10/2001	Hsieh	D7/376
6,367,963 B2		4/2002	Sanpei et al.	366/233
6,435,708 B1		8/2002	Huang	366/347
D489,936 S	*	5/2004	Smith et al.	D7/379

FOREIGN PATENT DOCUMENTS

GB		3012546	*	5/2003	
NZ		512632		6/2001 B28C/5/08

* cited by examiner

Primary Examiner—Caron D. Veynar

(74) *Attorney, Agent, or Firm*—Womble Carlyle Sandridge & Rice, PLLC

(57) **CLAIM**

The ornamental design for a stand mixer, as shown and described.

DESCRIPTION

FIG. 1 is a right side view of a stand mixer;
FIG. 2 is a front view of the stand mixer;
FIG. 3 is a rear perspective view of the stand mixer;
FIG. 4 is a top view of the stand mixer;
FIG. 5 is a back view of the stand mixer;
FIG. 6 is a front perspective view of the stand mixer;
FIG. 7 is a left side view of the stand mixer; and,
FIG. 8 is an enlarged lower portion of the back view of the stand mixer showing the wheels.

1 Claim, 8 Drawing Sheets

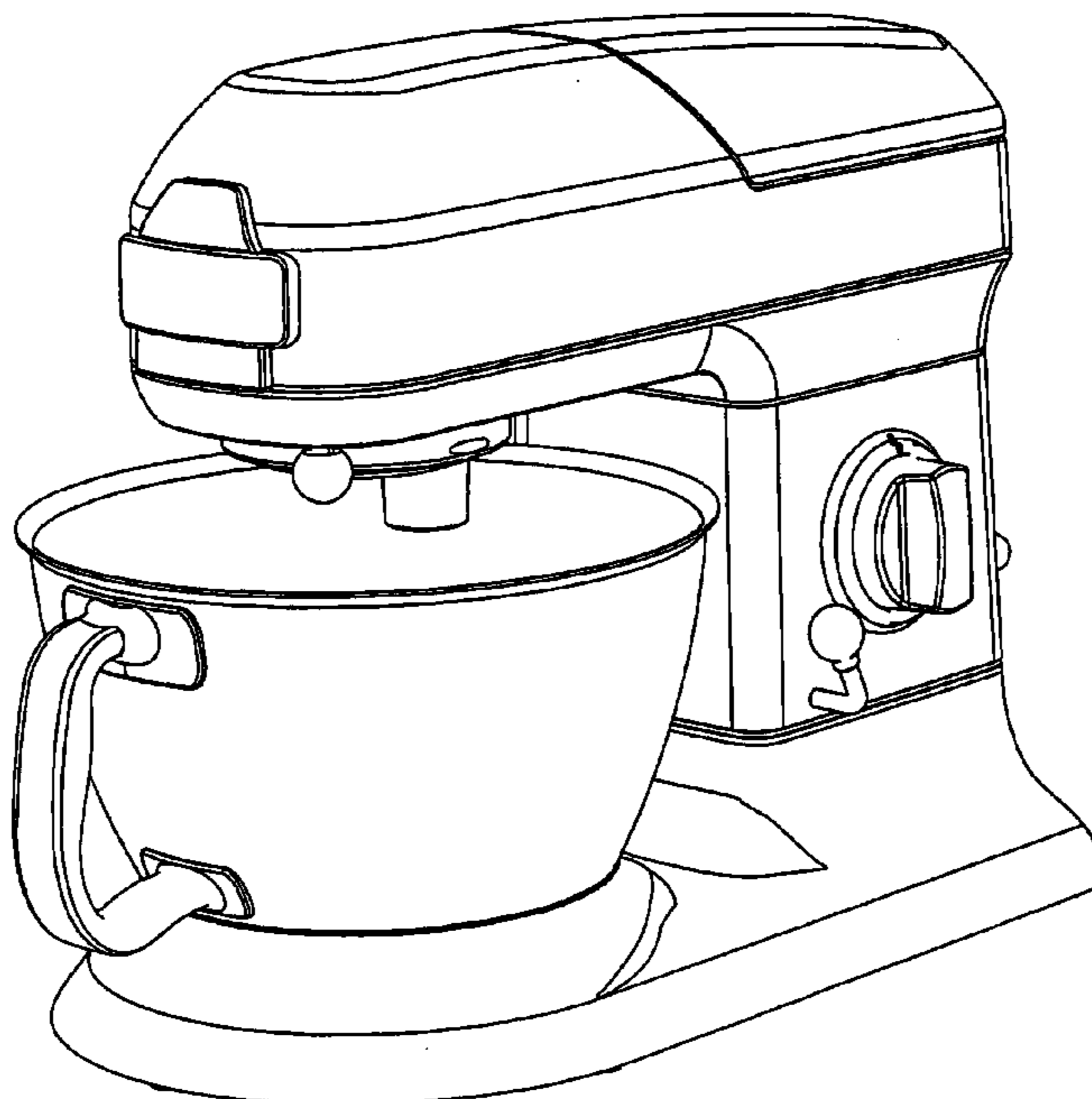


FIG. 1

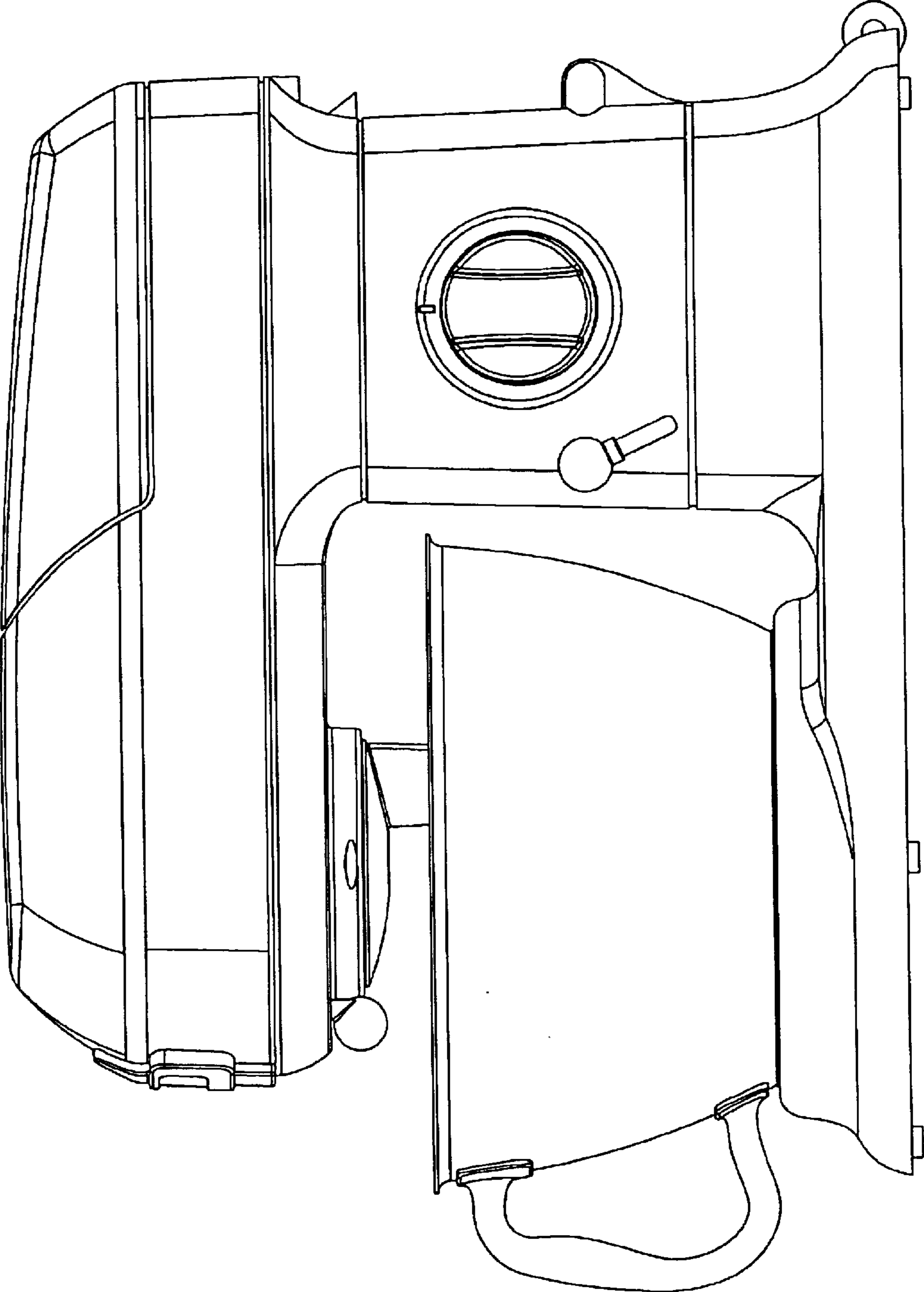


FIG. 2

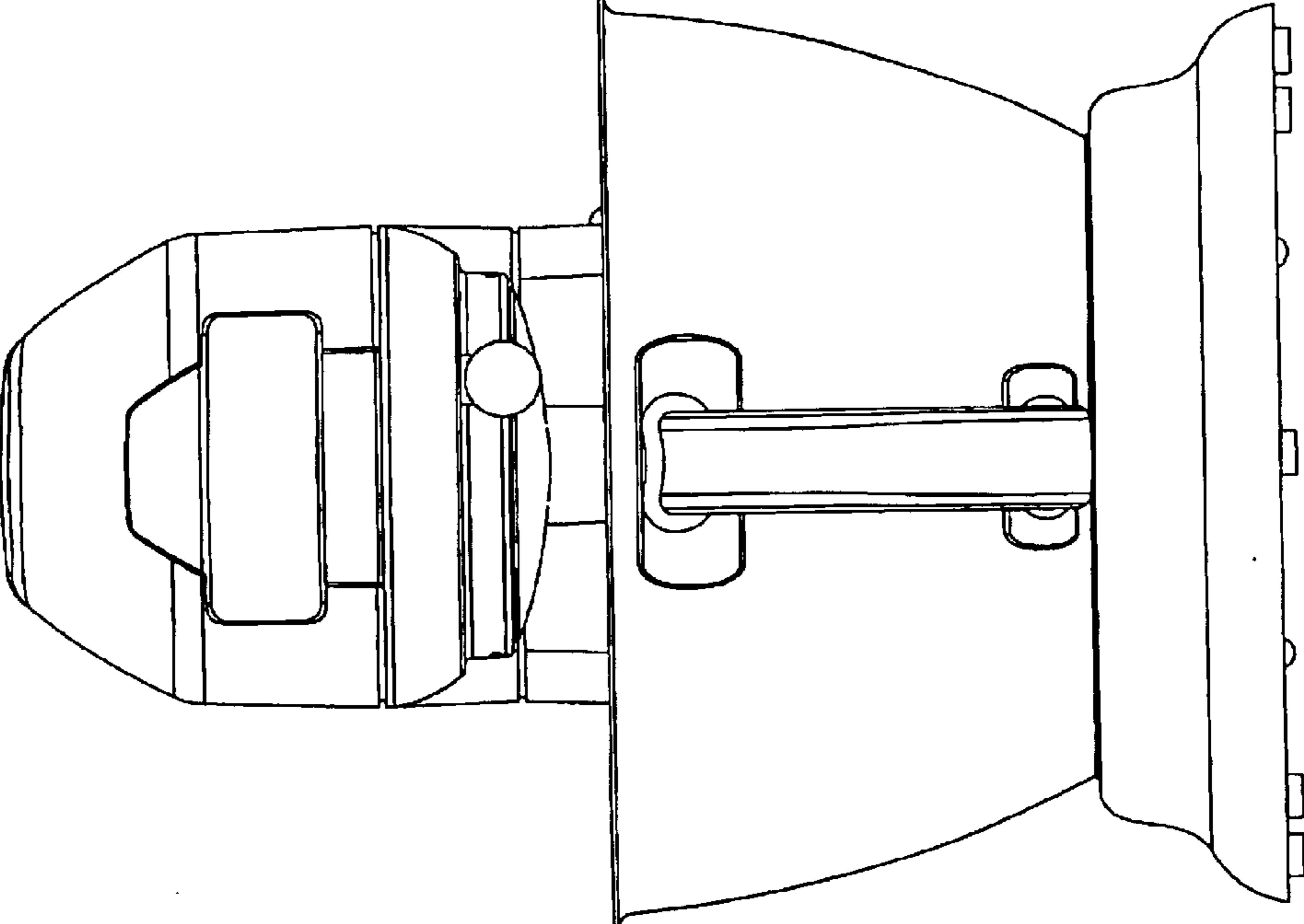


FIG. 3

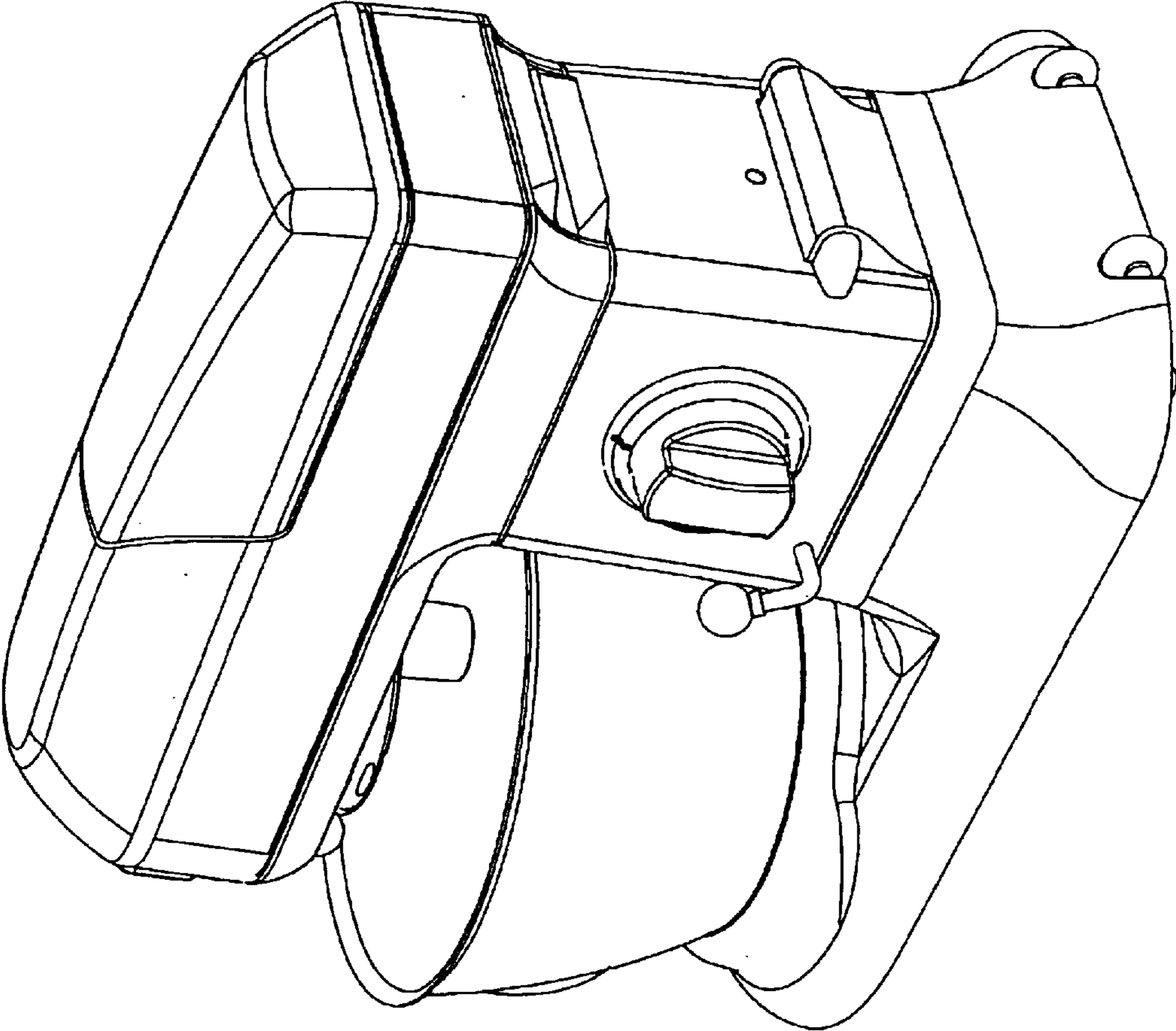


FIG. 4

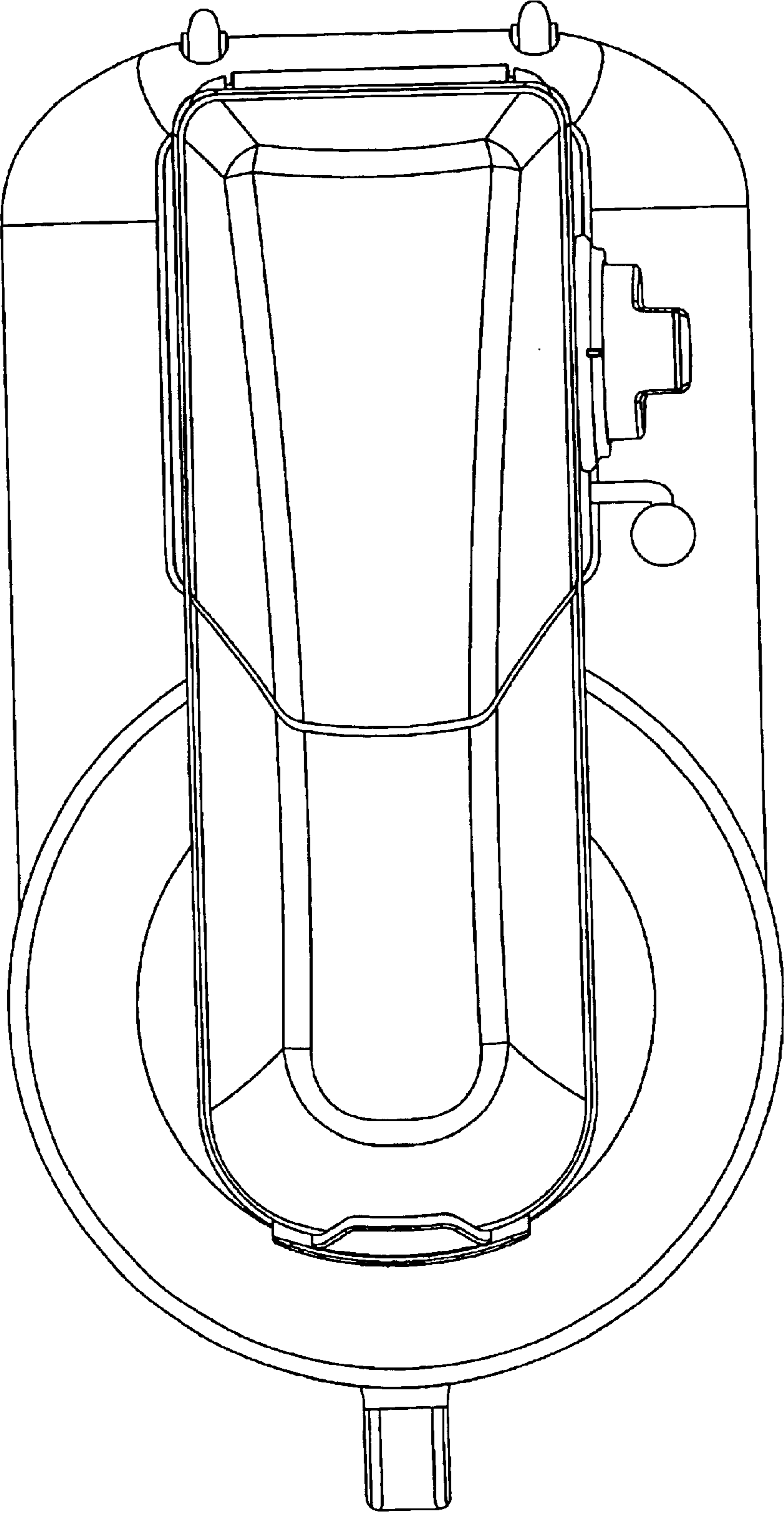


FIG. 5

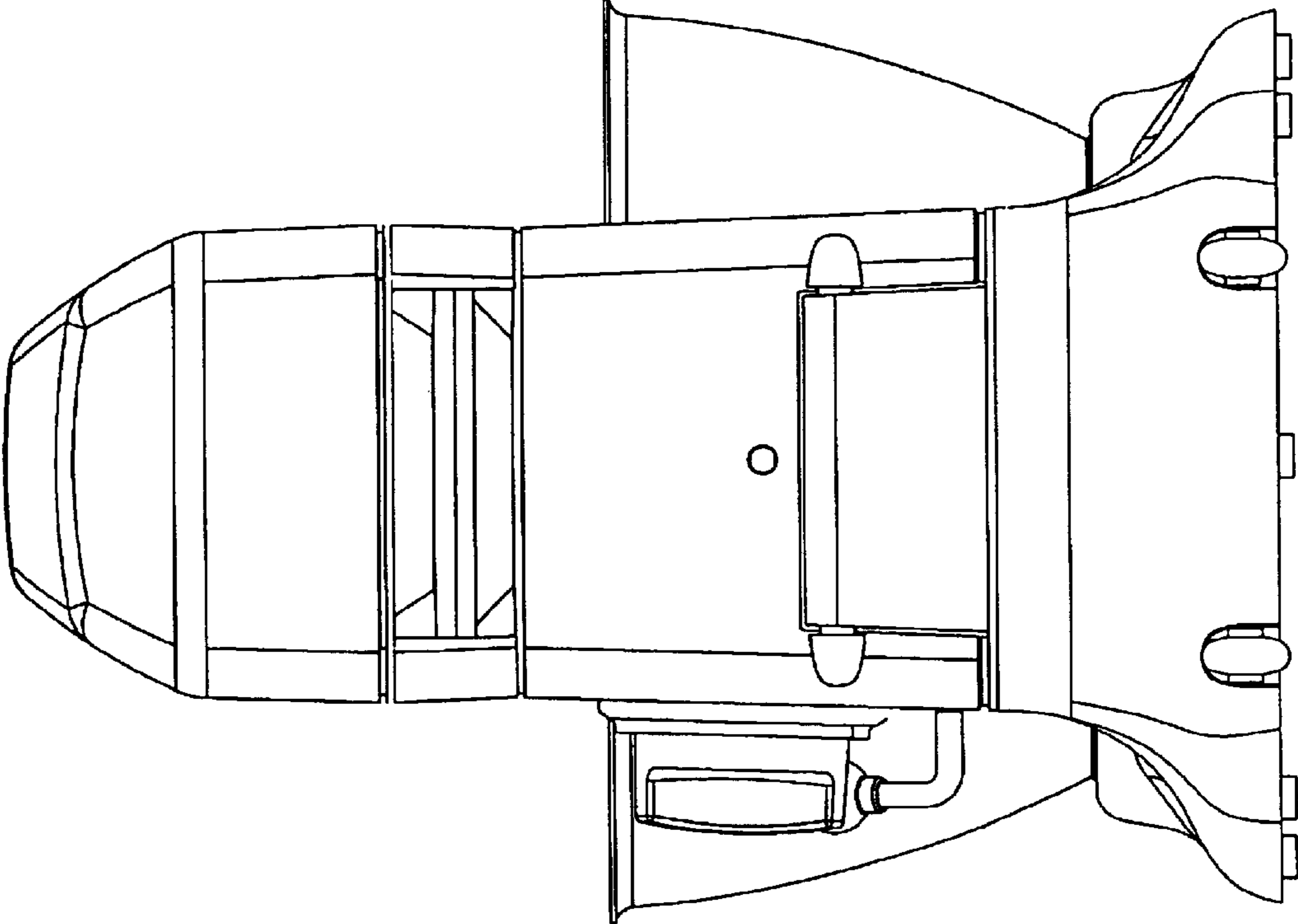


FIG. 6

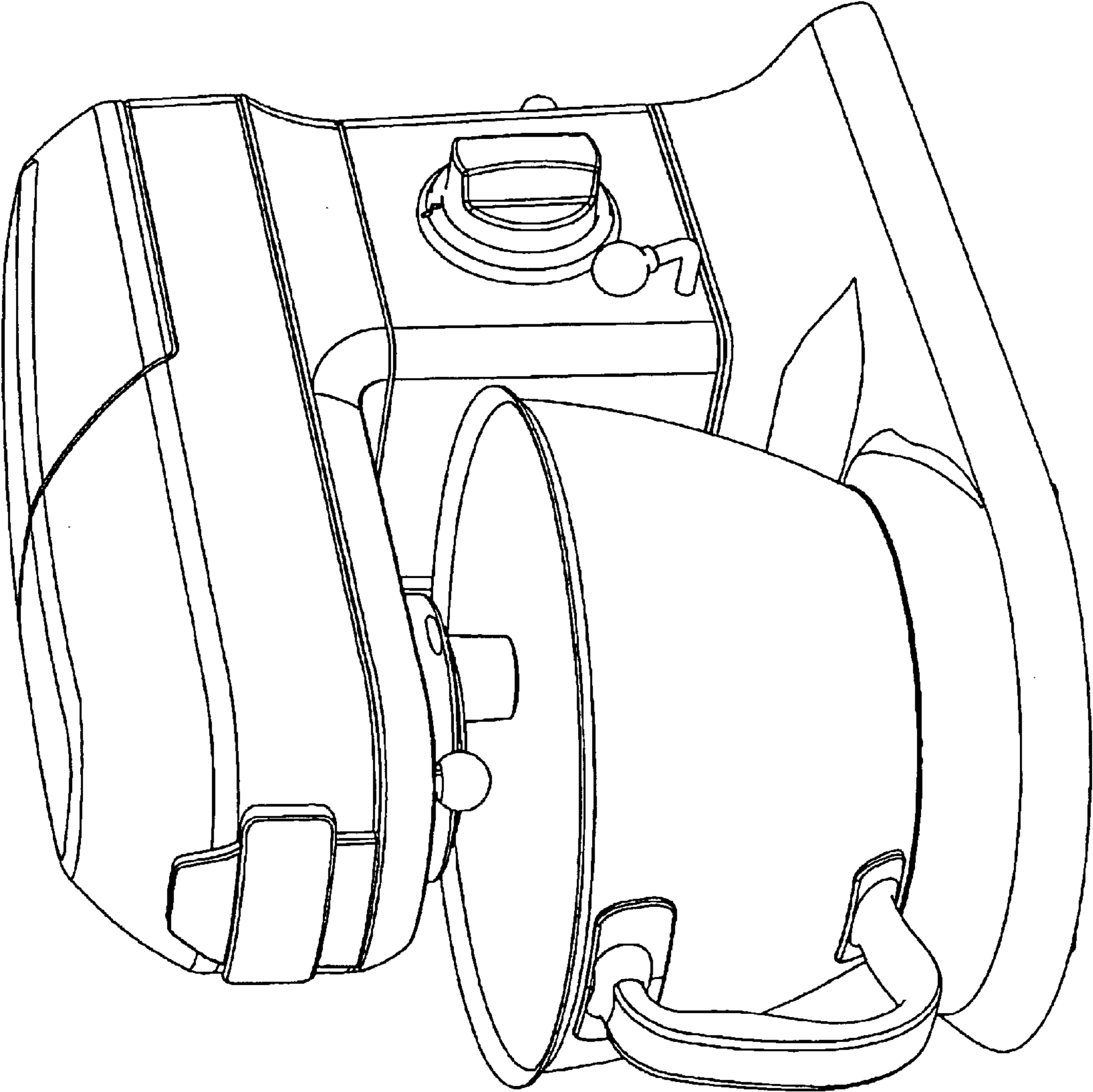


FIG. 7

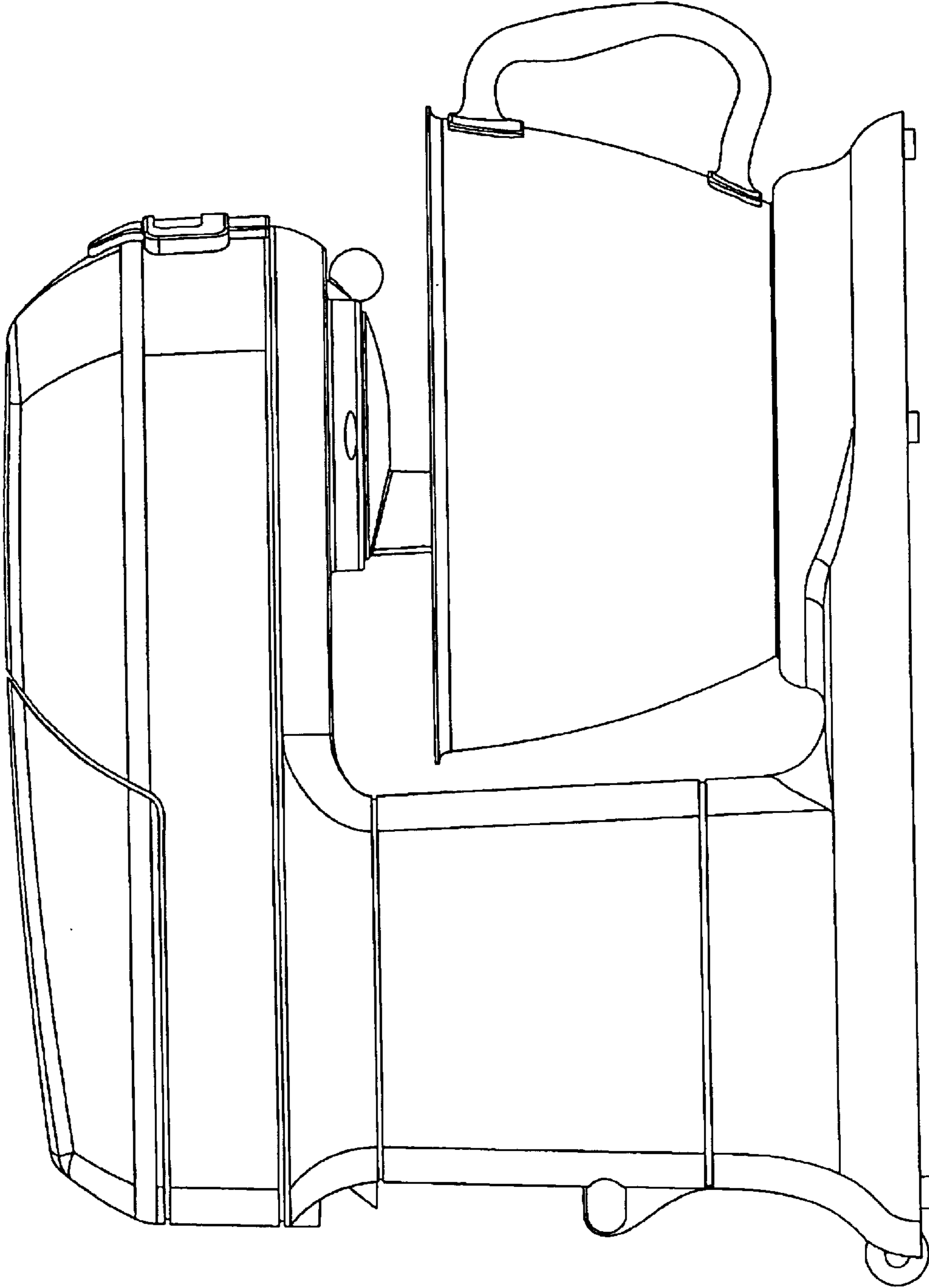


FIG. 8

