

US00D499602S

(12) **United States Design Patent**
Feil

(10) **Patent No.:** **US D499,602 S**

(45) **Date of Patent:** **** Dec. 14, 2004**

(54) **BLENDER**

(75) **Inventor:** **Rolf Feil, Günzburg (DE)**

(73) **Assignee:** **BSH Bosch und Siemens Hausgerate GmbH, Munich (DE)**

(**) **Term:** **14 Years**

(21) **Appl. No.:** **29/187,195**

(22) **Filed:** **Jul. 28, 2003**

(30) **Foreign Application Priority Data**

Jan. 31, 2003 (DE) 4 03 00 895

(51) **LOC (7) Cl.** **31-00**

(52) **U.S. Cl.** **D7/378**

(58) **Field of Search** 366/197-201,
366/205-207, 219-221, 241-254, 279-282,
341-343, 64-67, 98-100, 129, 130; D7/376-386,
412, 413, 665; 99/509-511; 241/30, 33,
37.5, 101.01-101.2, 166-169.1, 274-278.2,
285.1-285.3, 291

(56) **References Cited**

U.S. PATENT DOCUMENTS

D242,208 S * 11/1976 Madl et al. D7/378

D339,715 S * 9/1993 Barrault D7/378
D386,357 S * 11/1997 Davidson D7/413
D489,570 S * 5/2004 Feil D7/386

* cited by examiner

Primary Examiner—Caron D. Veynar

(74) *Attorney, Agent, or Firm*—Laurence A. Greenberg;
Werner H. Stemer; Gregory L. Mayback

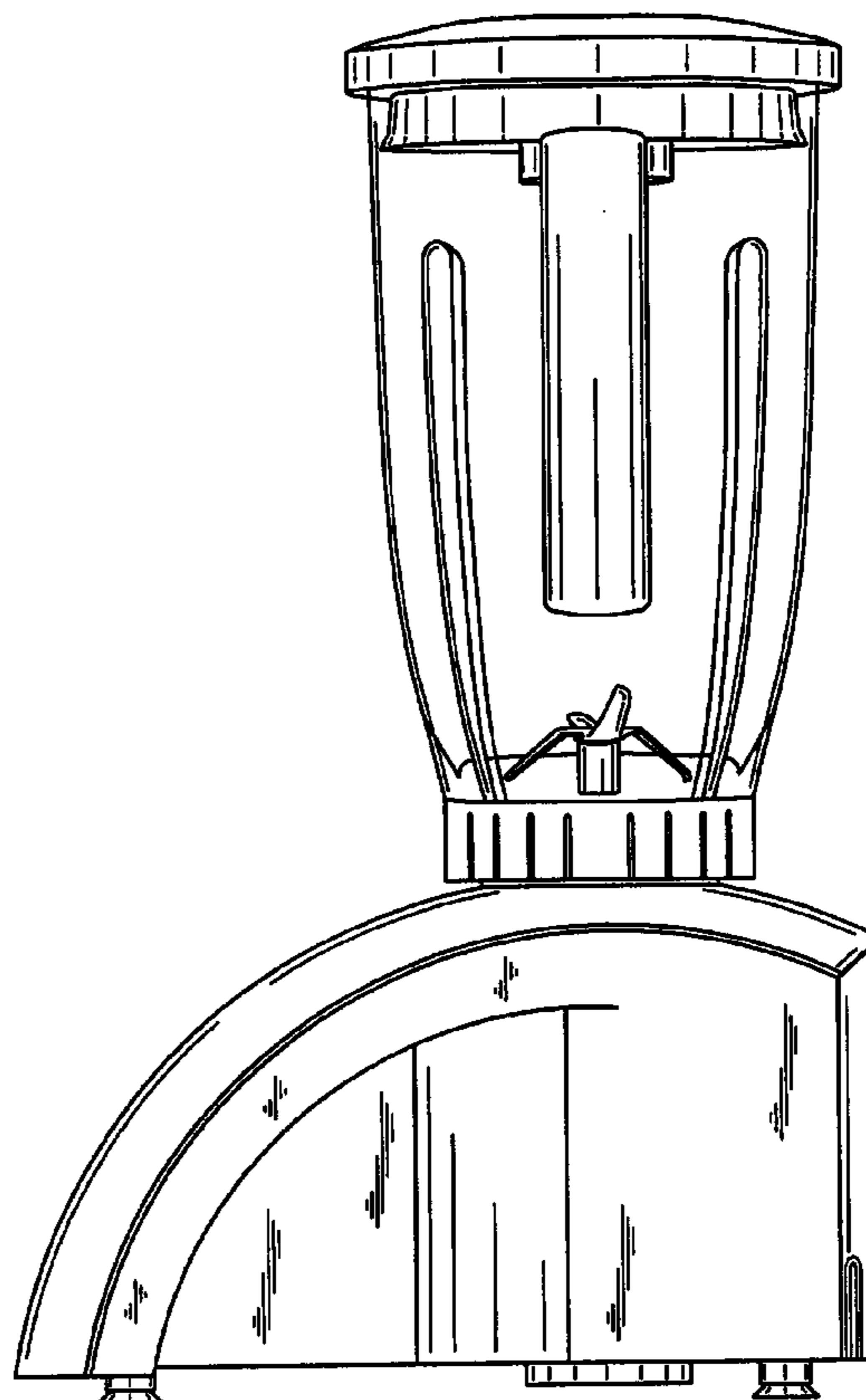
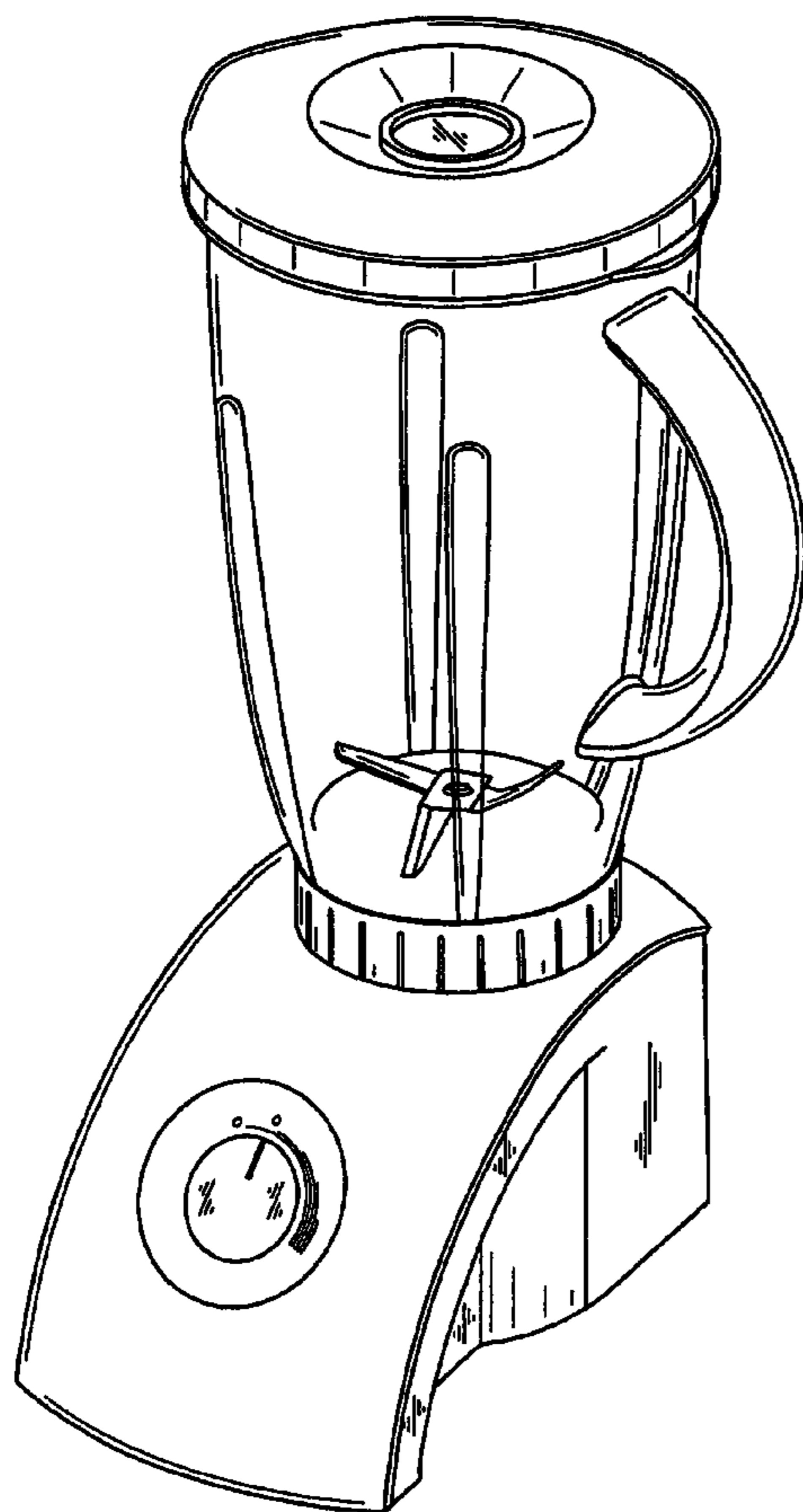
(57) **CLAIM**

The ornamental design for a blender, as shown and described.

DESCRIPTION

FIG. 1 is a front perspective view of the blender;
FIG. 2 is a front side view thereof;
FIG. 3 is a right side view thereof;
FIG. 4 is a left side view thereof;
FIG. 5 is a rear side view thereof;
FIG. 6 is a top side view thereof; and,
FIG. 7 is a bottom side view thereof.

1 Claim, 7 Drawing Sheets



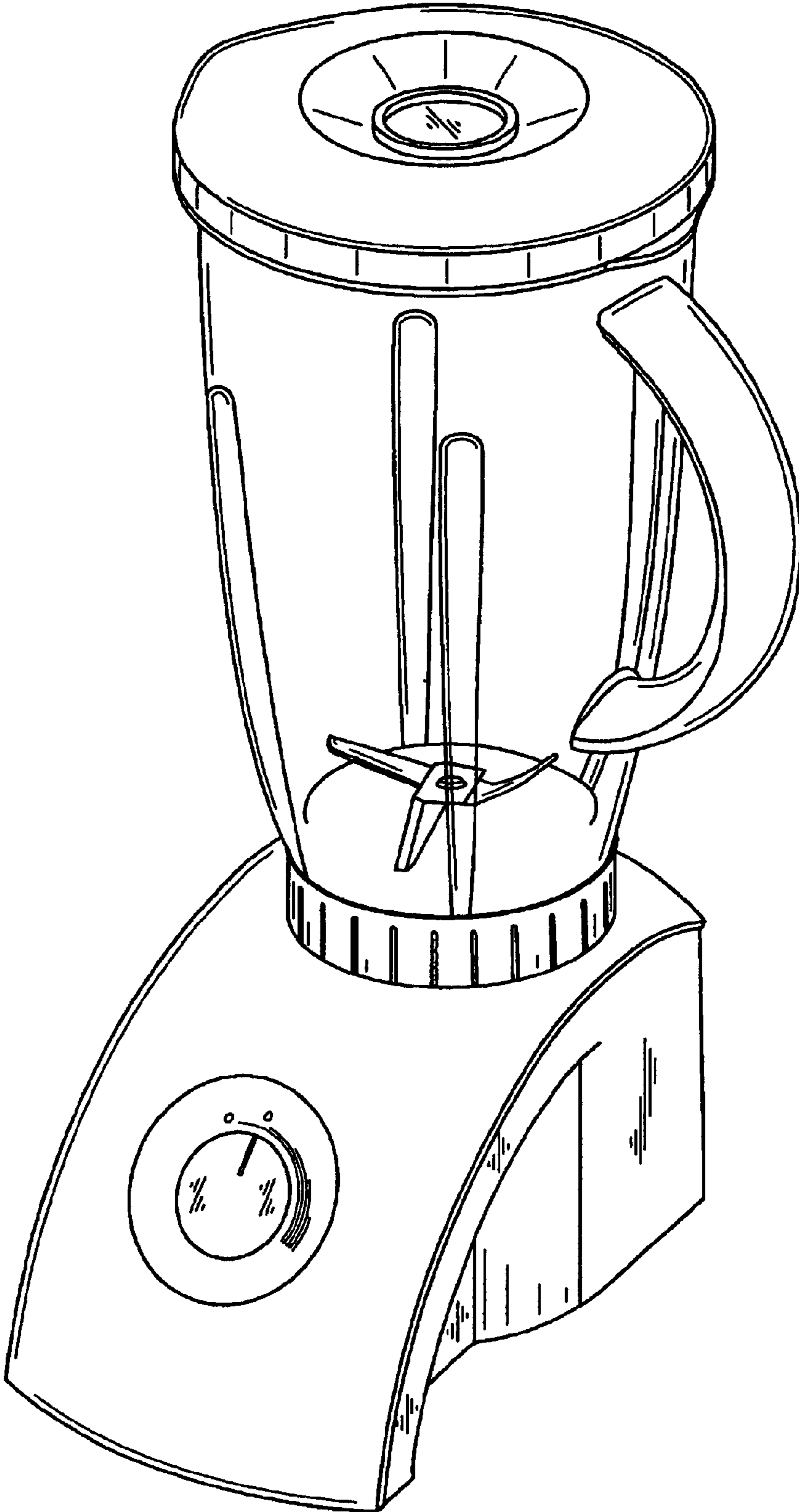


Fig. 1

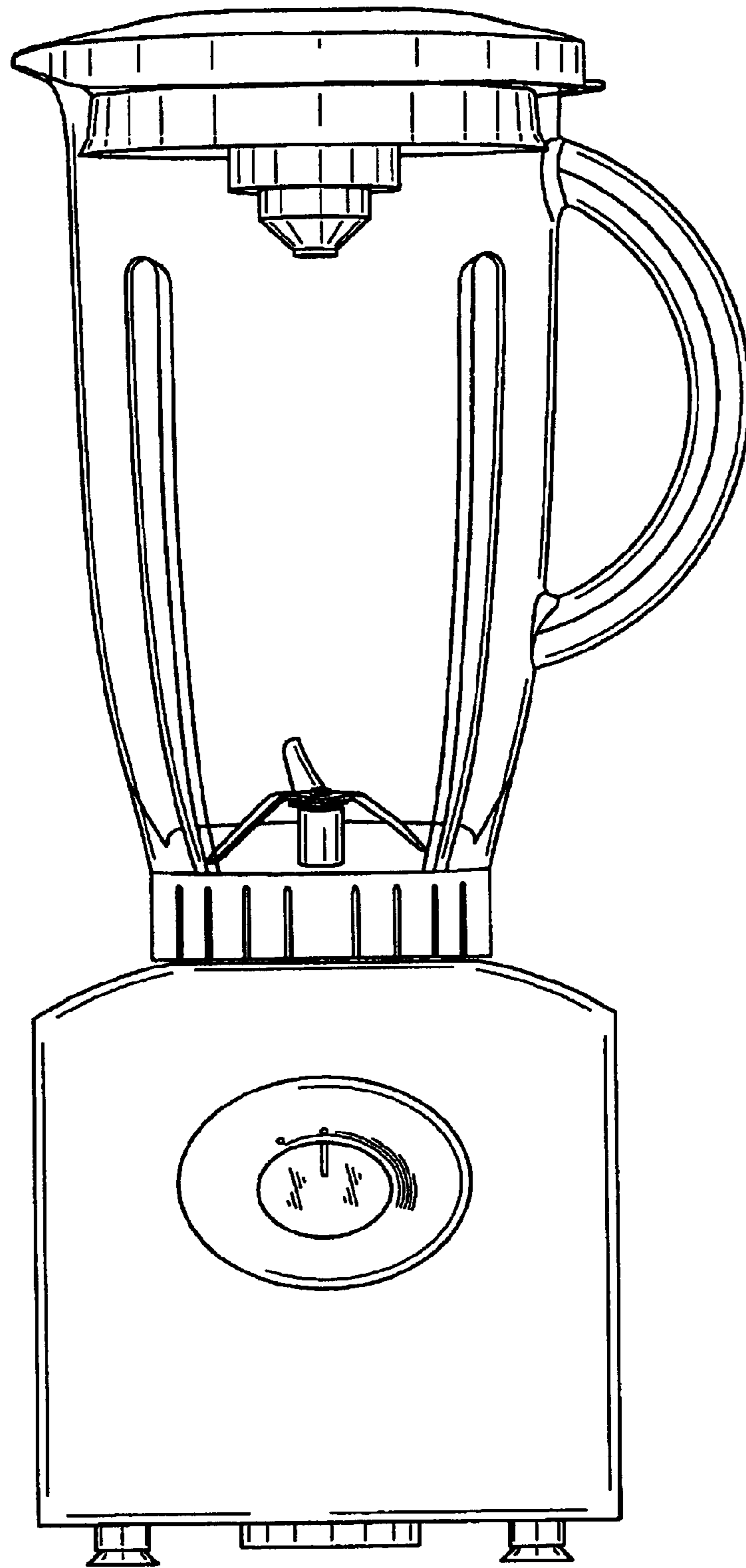


Fig. 2

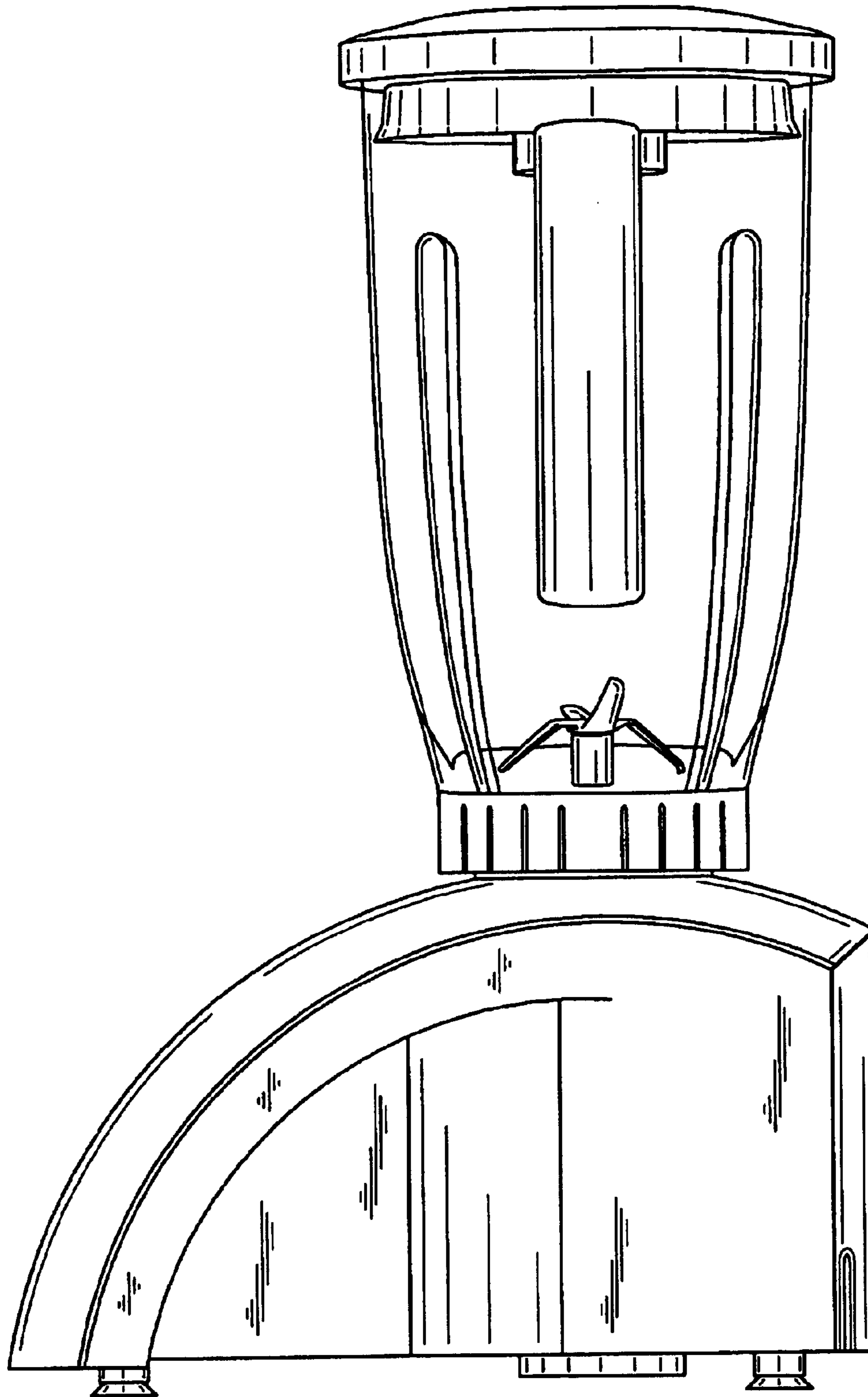


Fig. 3

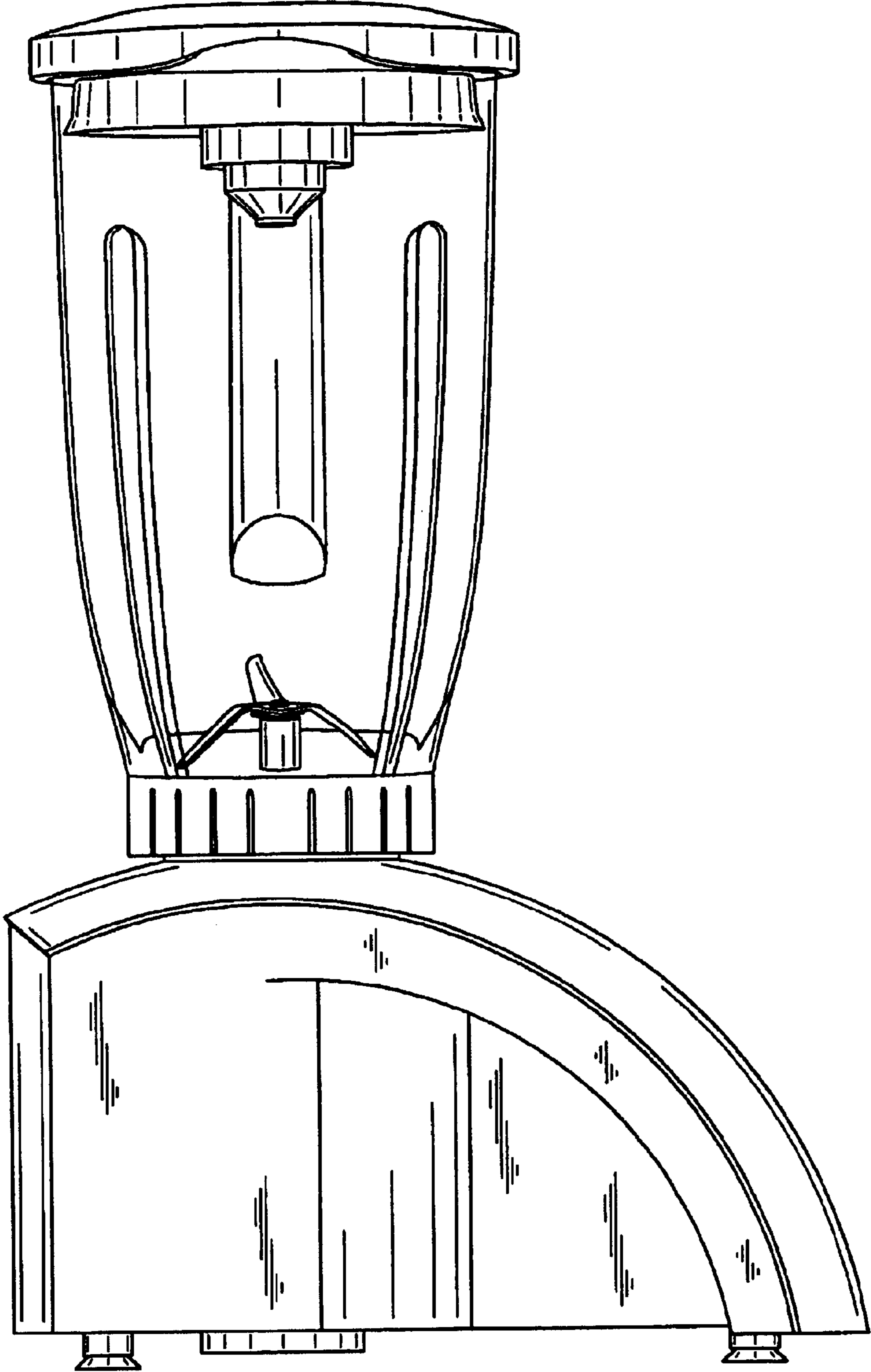


Fig. 4

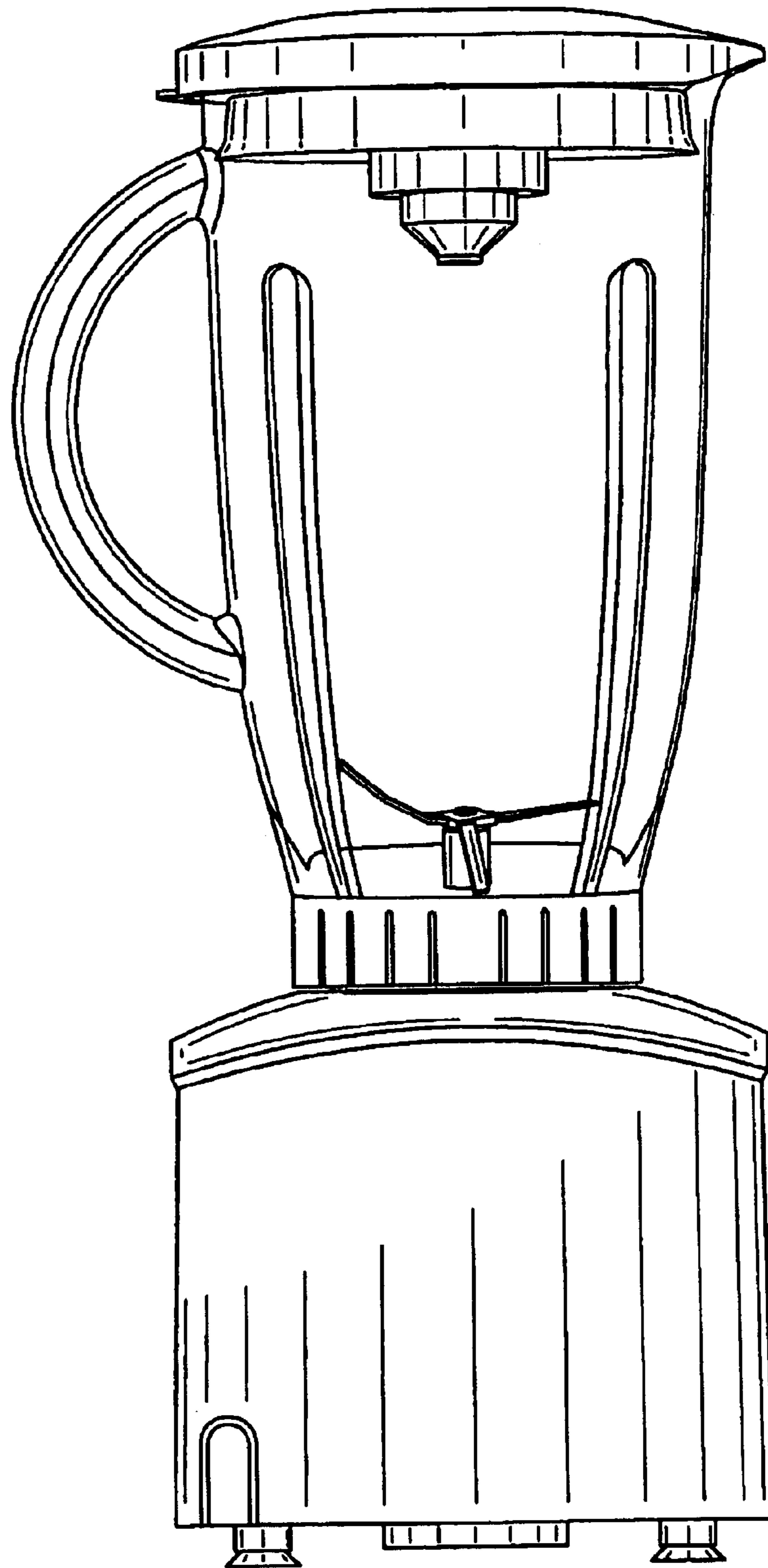


Fig. 5

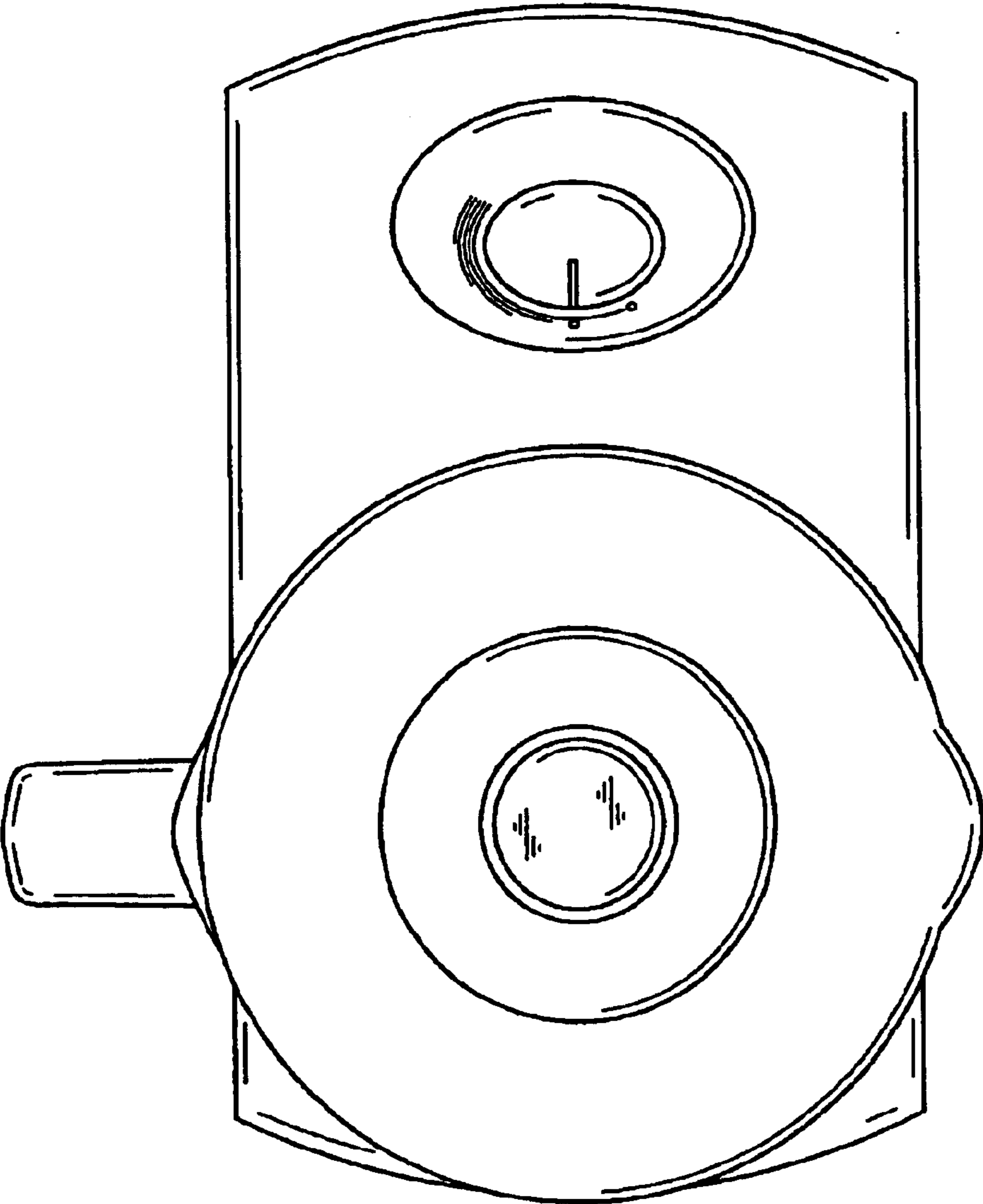


Fig. 6

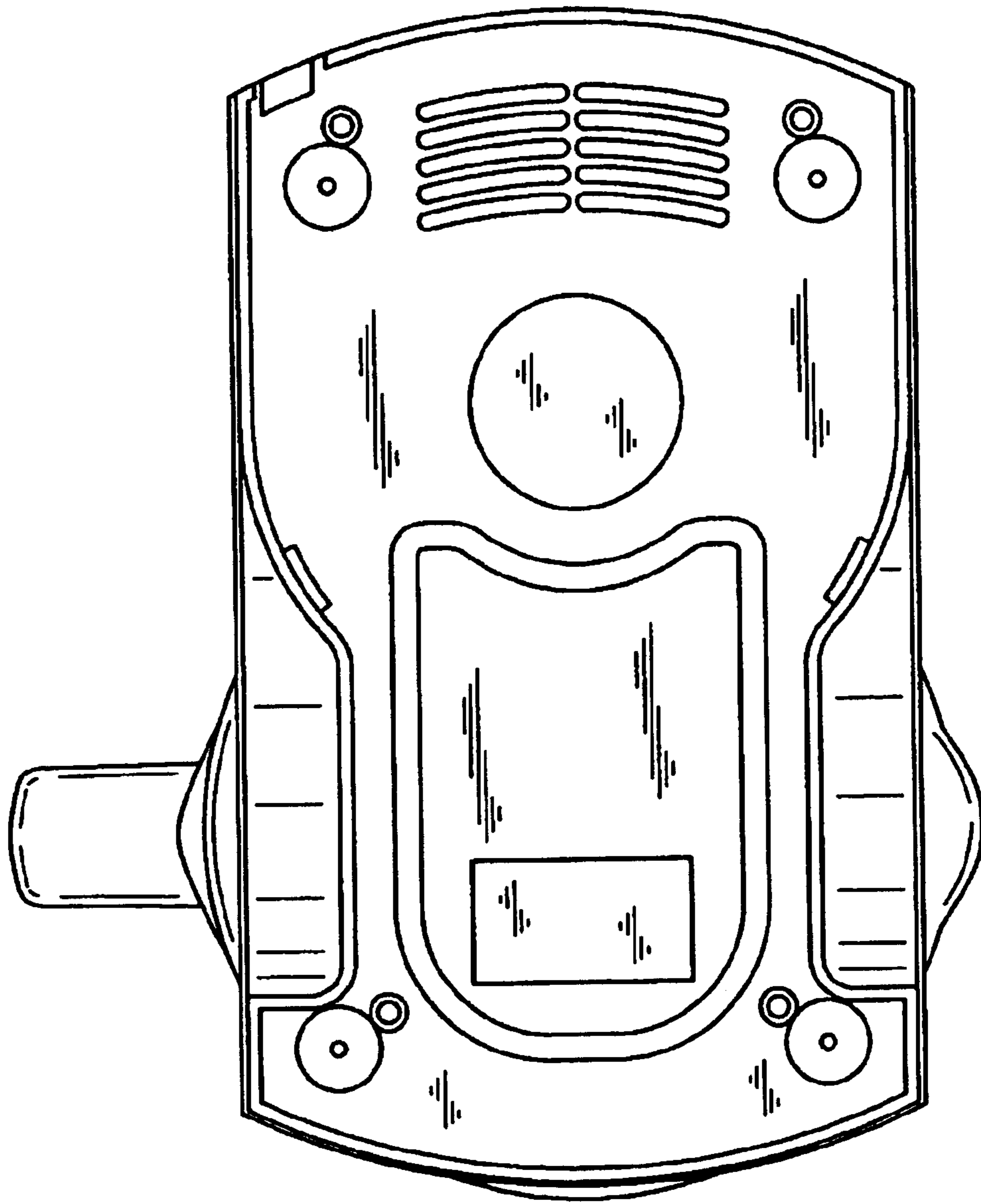


Fig. 7