



US00D499598S

(12) **United States Design Patent** (10) **Patent No.:** **US D499,598 S**  
**Guadalupi** (45) **Date of Patent:** **\*\* Dec. 14, 2004**

(54) **PORTABLE DRINK DISPENSER**

(75) Inventor: **Riccardo Guadalupi**, Ponteranica (IT)

(73) Assignee: **Vin Service S.r.l.**, Zanica (IT)

(\*\*) Term: **14 Years**

(21) Appl. No.: **29/187,046**

(22) Filed: **Jul. 28, 2003**

(51) **LOC (7) Cl.** ..... **07-01**

(52) **U.S. Cl.** ..... **D7/306; D7/313**

(58) **Field of Search** ..... **D7/309-311, 300, D7/306, 307, 308, 313, 312, 397; 222/159, 169, 146.6, 183, 129.1, 131; 312/204; 99/289 R, 295; 126/377.1; D15/79-82**

(56) **References Cited**

**U.S. PATENT DOCUMENTS**

1,574,495	A	*	2/1926	Look	.....	222/159
D135,506	S	*	4/1943	Harrison	.....	D7/313
2,326,420	A	*	8/1943	Vukasinovich	.....	126/377.1
3,865,276	A	*	2/1975	Thompson	.....	222/146.6
D379,050	S	*	5/1997	Kohanski	.....	D7/313
D380,641	S	*	7/1997	Randle	.....	D7/313
D412,262	S	*	7/1999	Roundtree	.....	D7/307
D431,145	S	*	9/2000	Woebcke et al.	.....	D7/306
D452,414	S	*	12/2001	Miller	.....	D7/397
D464,226	S	*	10/2002	Lassota et al.	.....	D7/306
D478,460	S	*	8/2003	Chiu	.....	D7/306
D482,227	S	*	11/2003	Walton	.....	D7/306
D489,930	S	*	5/2004	Tse	.....	D7/306
D491,408	S	*	6/2004	Clark et al.	.....	D7/306

\* cited by examiner

*Primary Examiner*—M. N. Pandozzi

(74) *Attorney, Agent, or Firm*—Nixon & Vanderhye P.C.

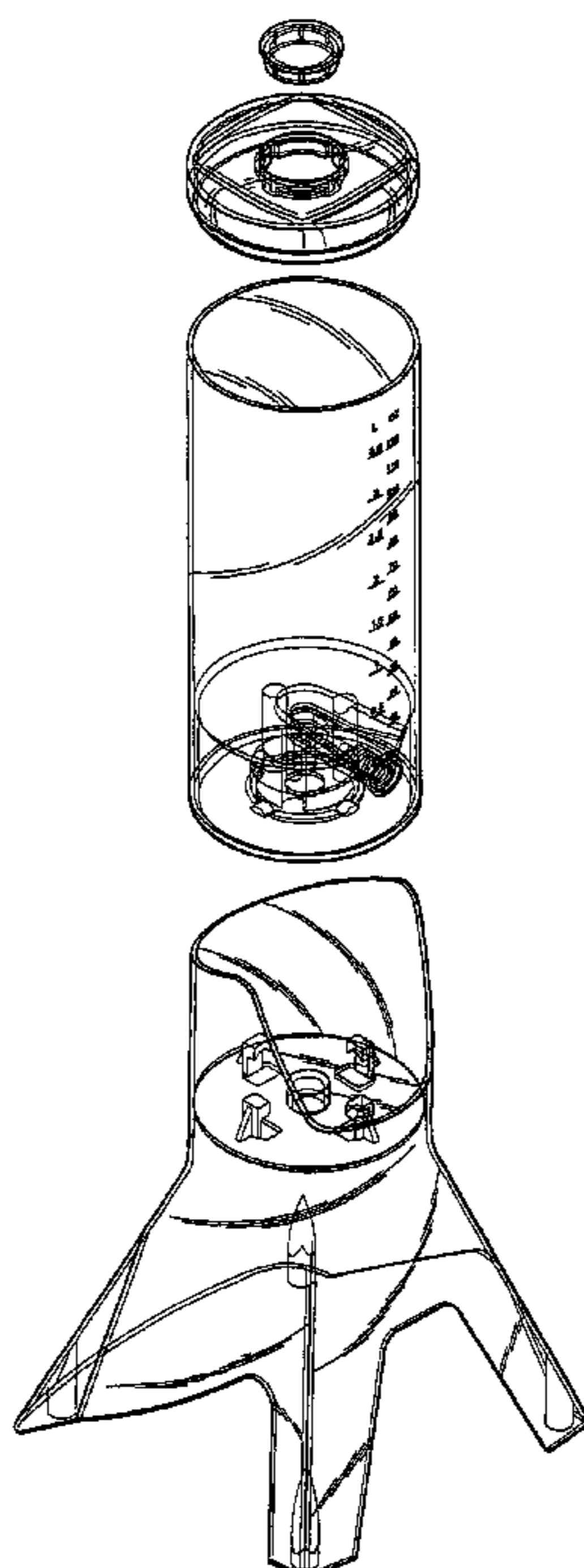
(57) **CLAIM**

The ornamental design for a “portable drink dispenser,” as shown and described.

**DESCRIPTION**

FIG. 1 is a top left perspective view of the base showing my new design;  
 FIG. 2 is a top plan view of the base;  
 FIG. 3 is a bottom plan view of the base;  
 FIG. 4 is a front elevational view of the base;  
 FIG. 5 is a rear view of the base;  
 FIG. 6 is a left view of the base;  
 FIG. 7 is a top left perspective view of the container;  
 FIG. 8 is a top plan view of the container;  
 FIG. 9 is a bottom plan view of the container;  
 FIG. 10 is a front elevational view of the container;  
 FIG. 11 is a rear elevational view of the top of the container;  
 FIG. 12 is a left side elevational view of the container lid;  
 FIG. 13 is a top left perspective view of the lid;  
 FIG. 14 is a top plan view of the lid;  
 FIG. 15 is a bottom plan view of the lid;  
 FIG. 16 is a left elevational view of the lid;  
 FIG. 17 is a top left perspective view of the lid insert;  
 FIG. 18 is a top plan view of the lid insert;  
 FIG. 19 is a bottom plan view of the lid insert;  
 FIG. 20 is an elevational side view of the lid insert; and,  
 FIG. 21 is a perspective view of a portable drink dispenser, which includes the base, container, lid, and lid insert, showing my new design.  
 The individual parts of the portable drink dispenser shown in FIGS. 1–20 are shown separately for clarity of illustration.

**1 Claim, 15 Drawing Sheets**



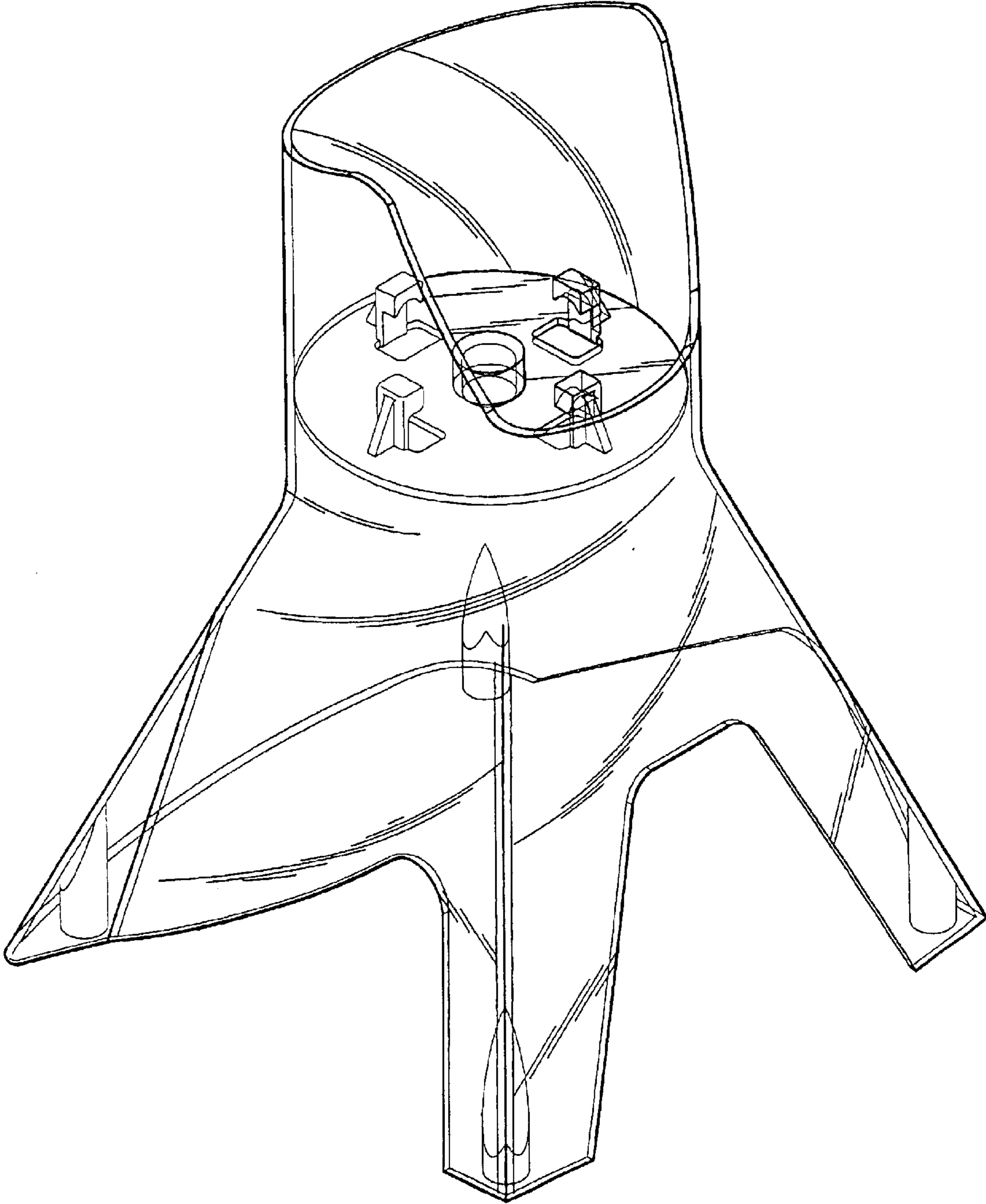


Fig. 1

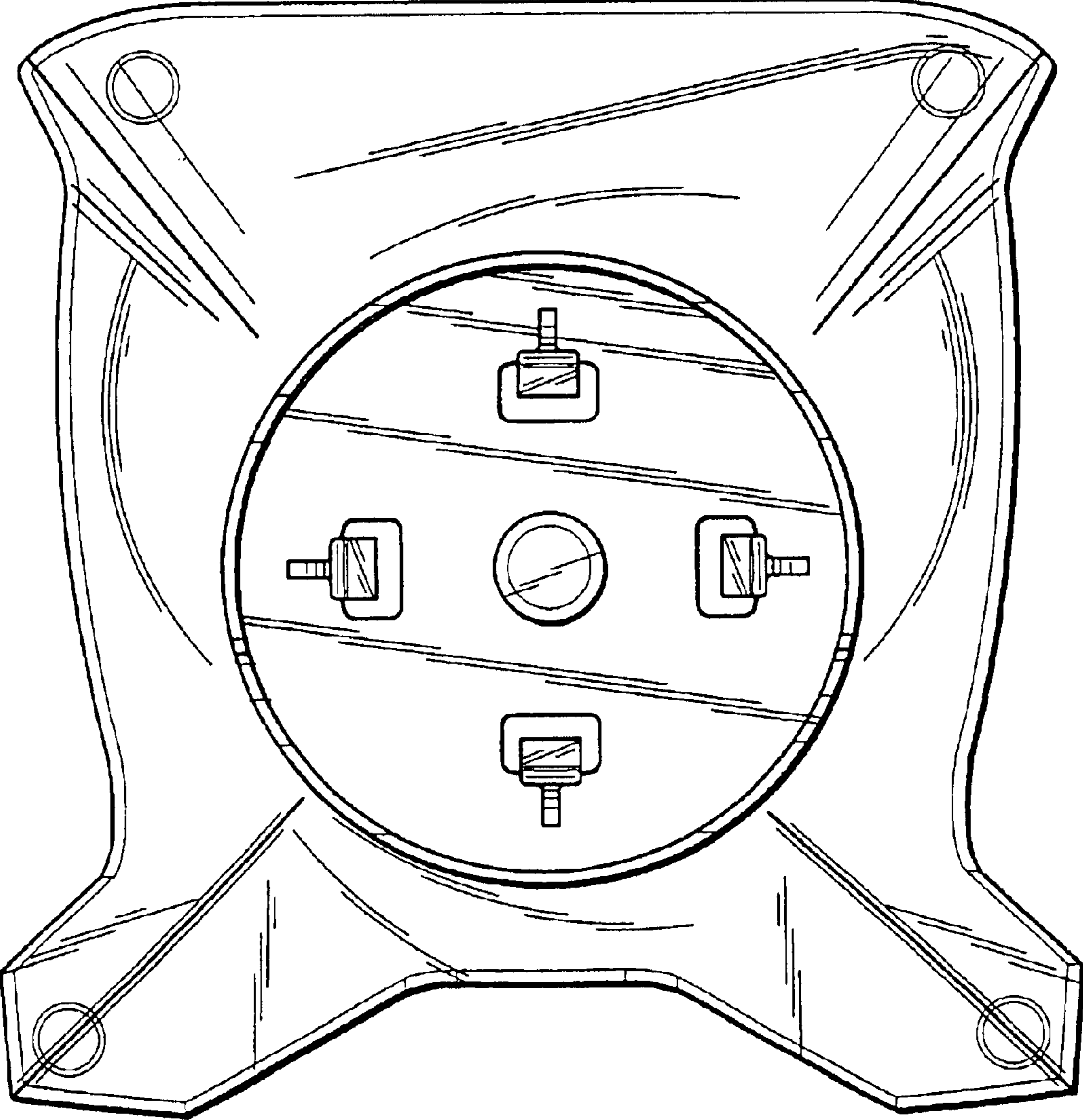


Fig. 2

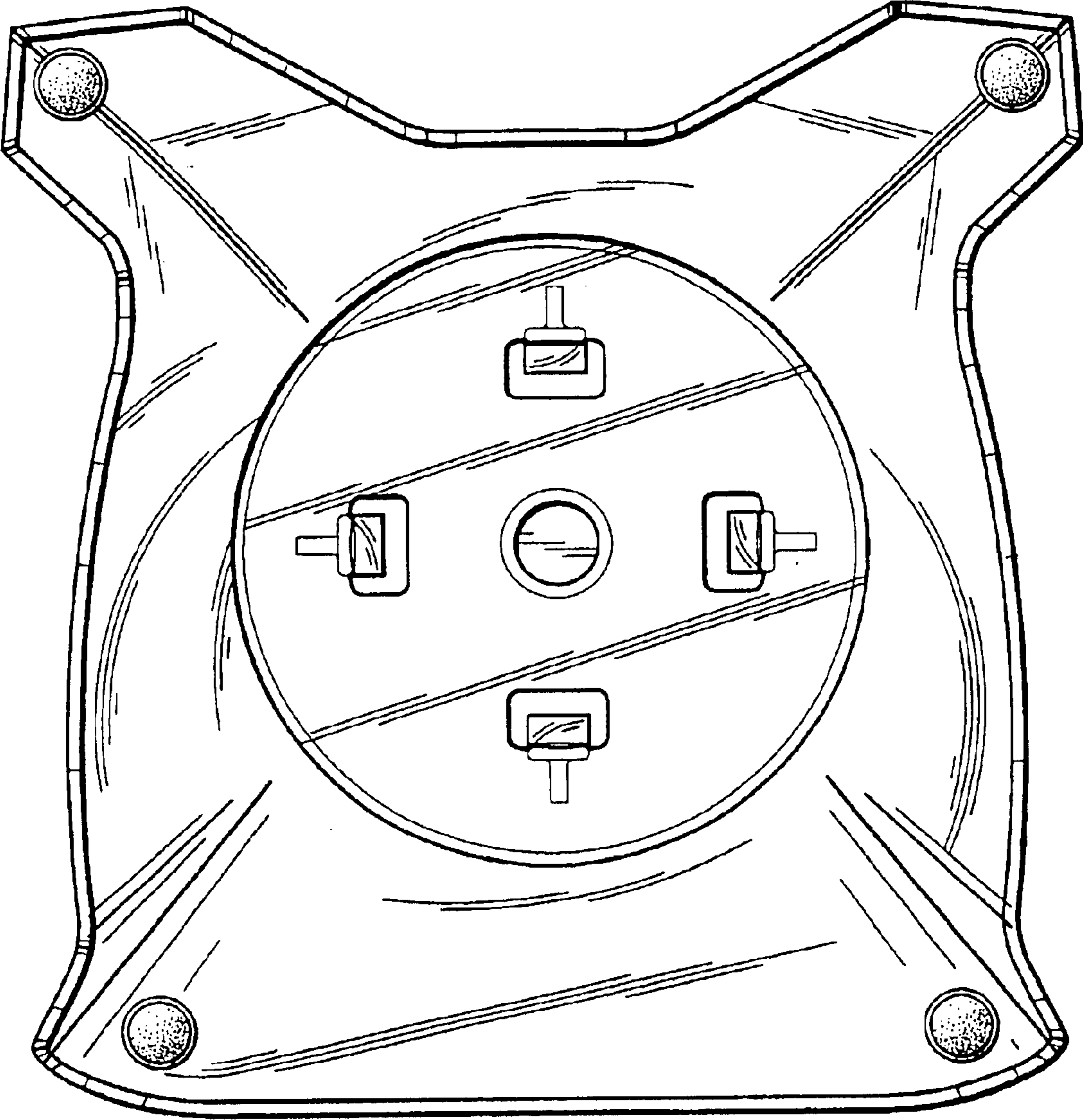


Fig. 3

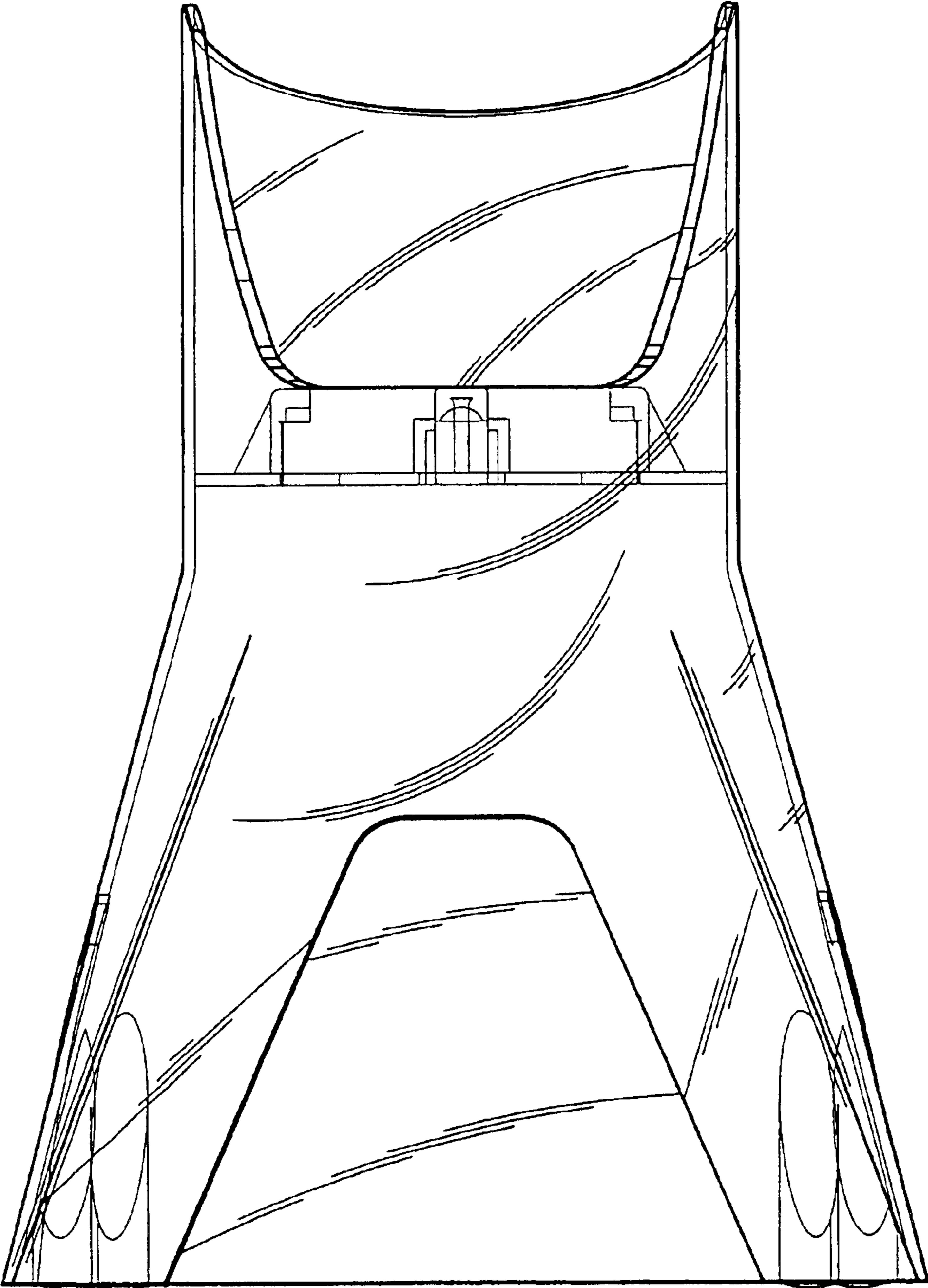


Fig. 4

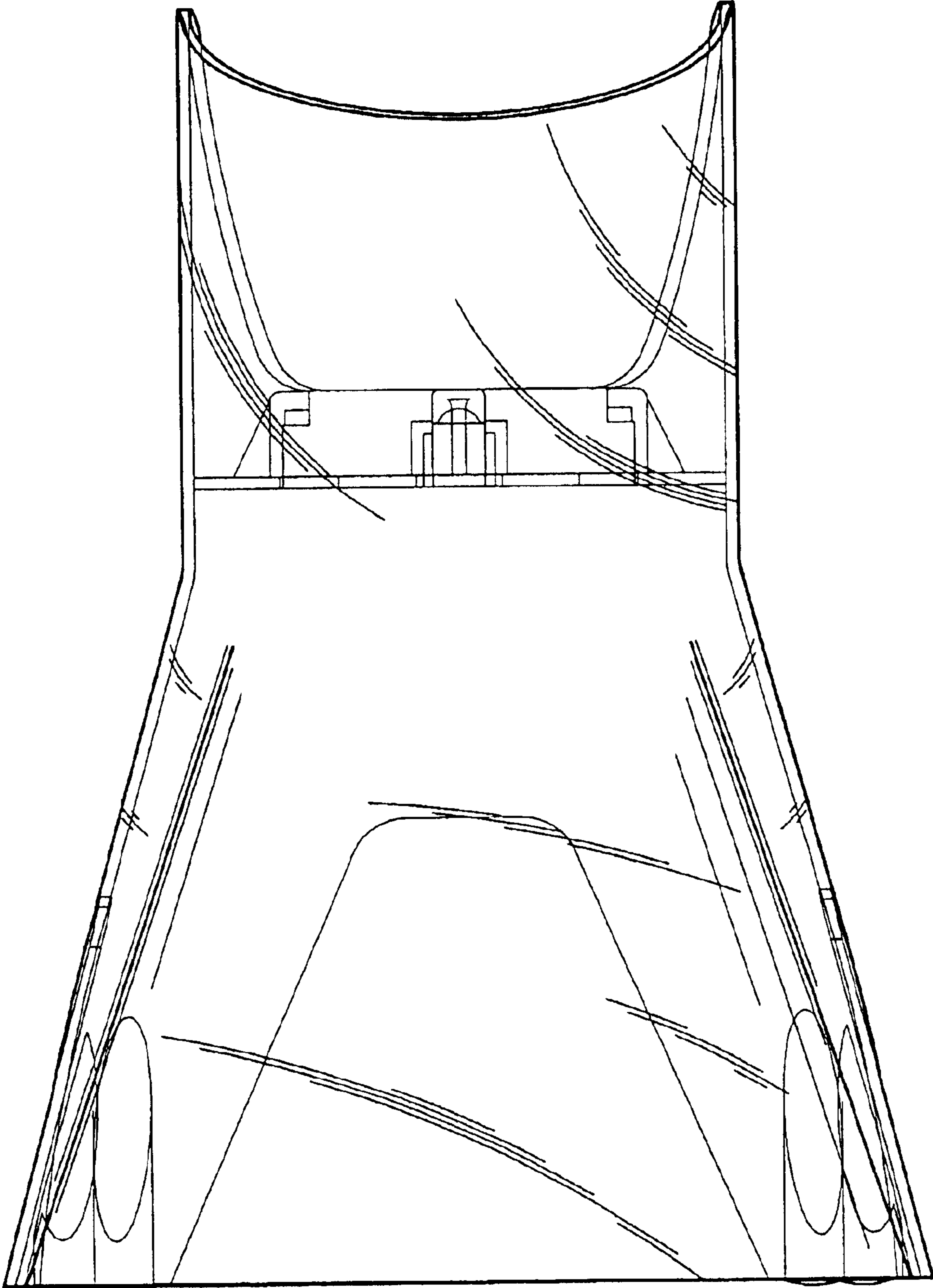


Fig. 5

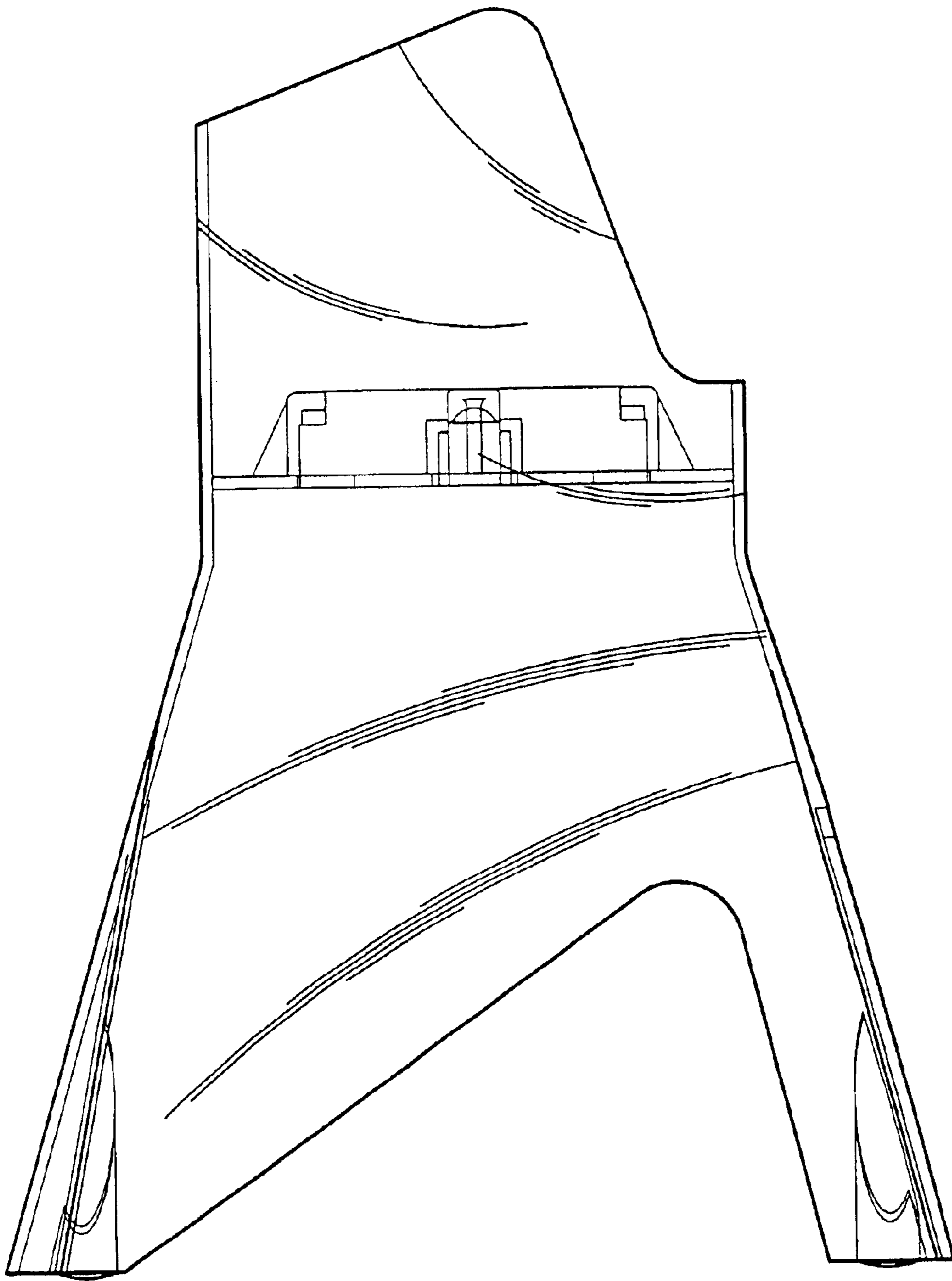


Fig. 6

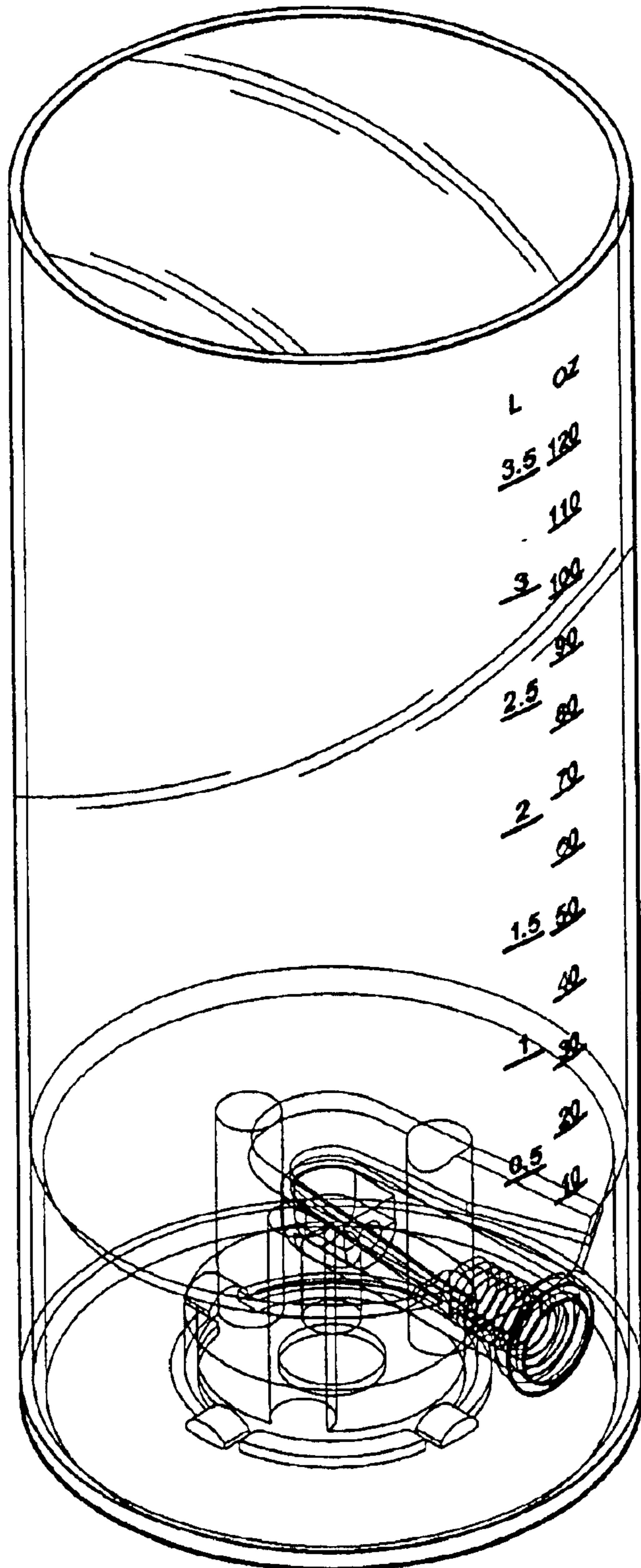


Fig. 7



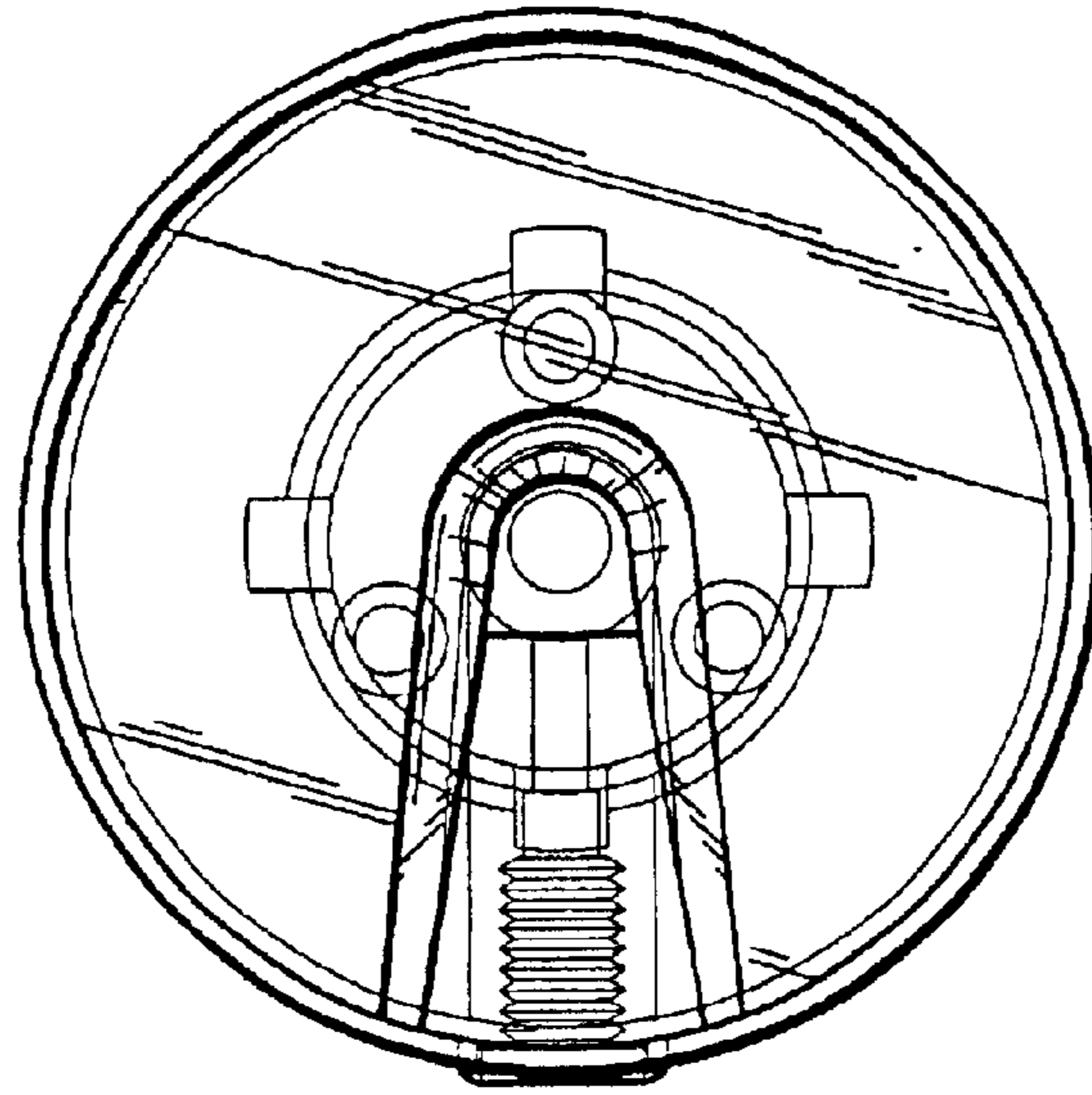


Fig. 8

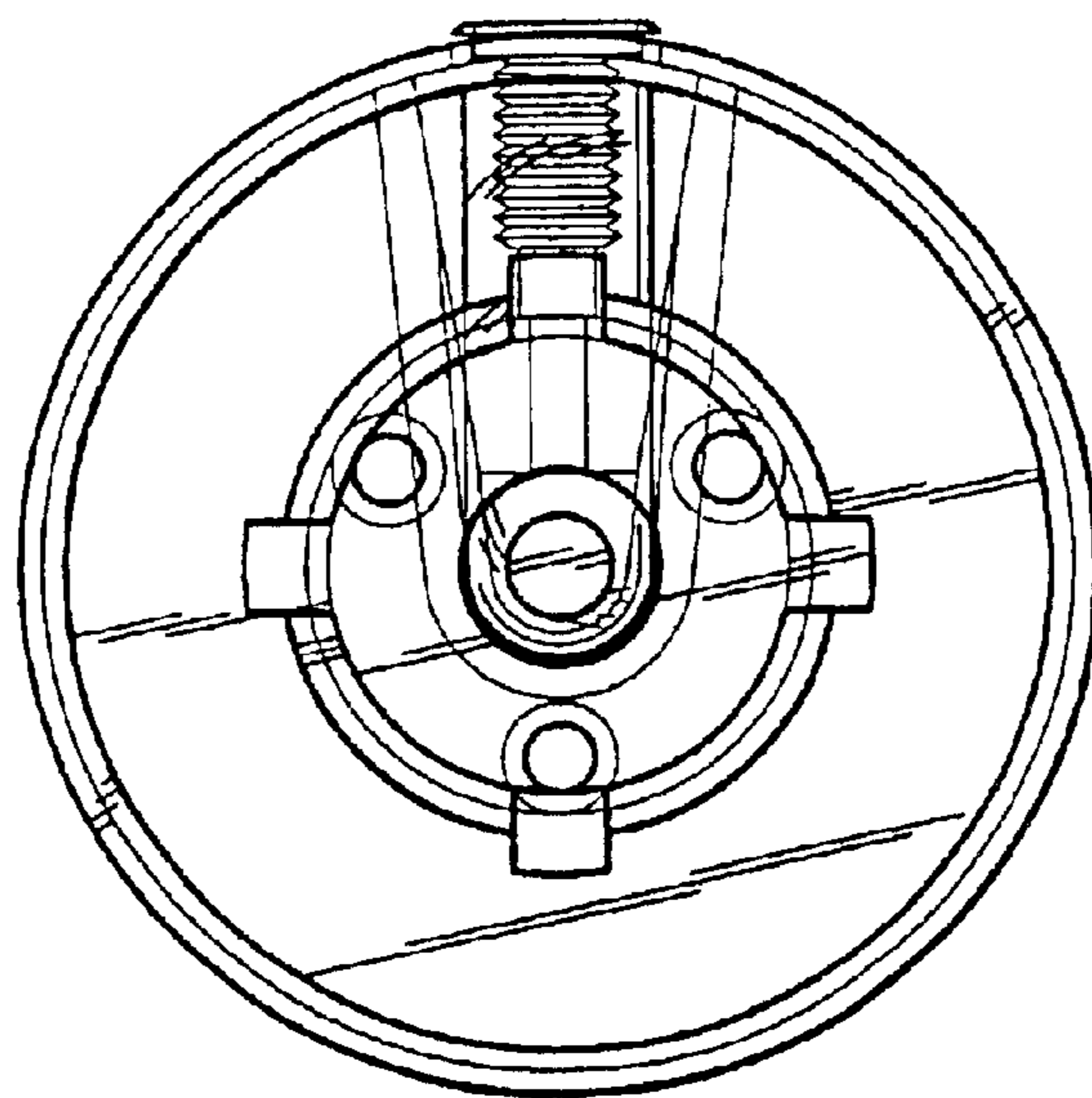


Fig. 9

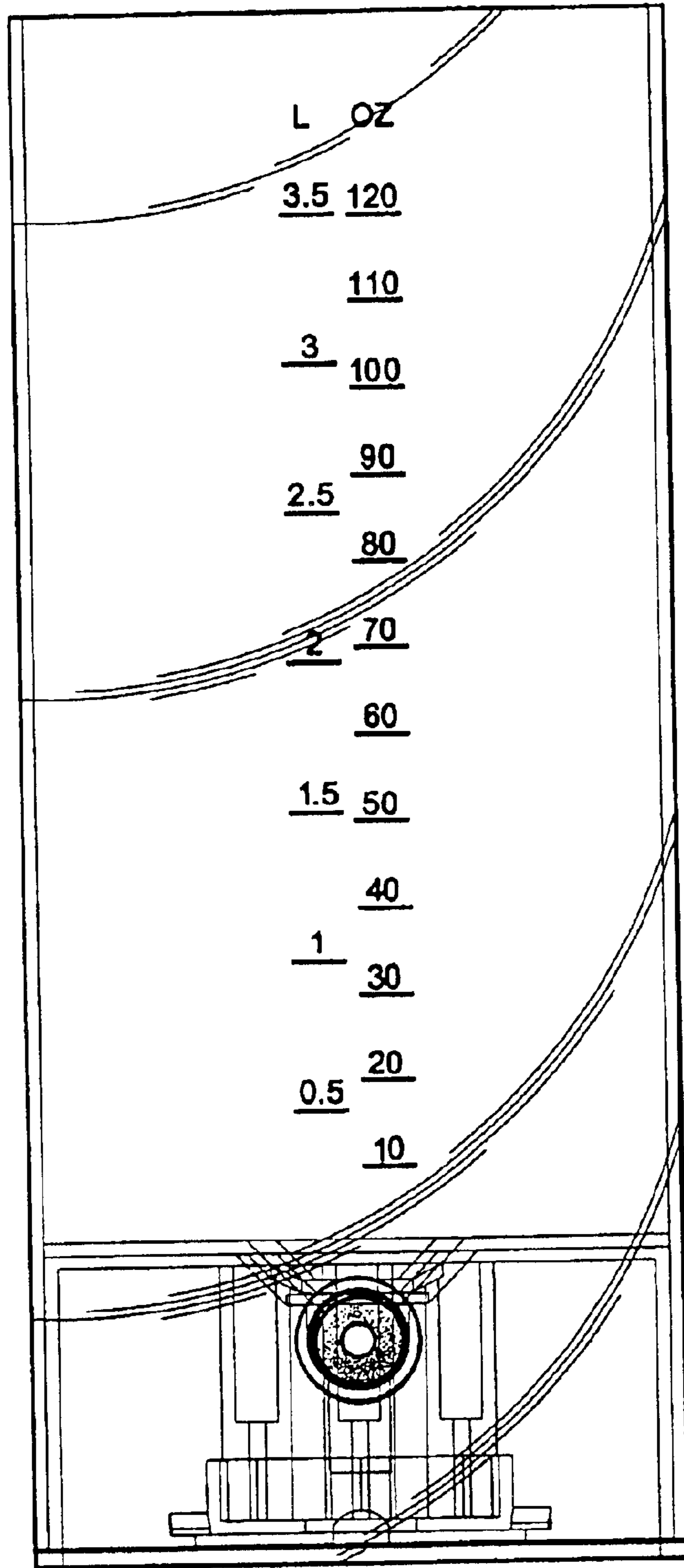


Fig. 10

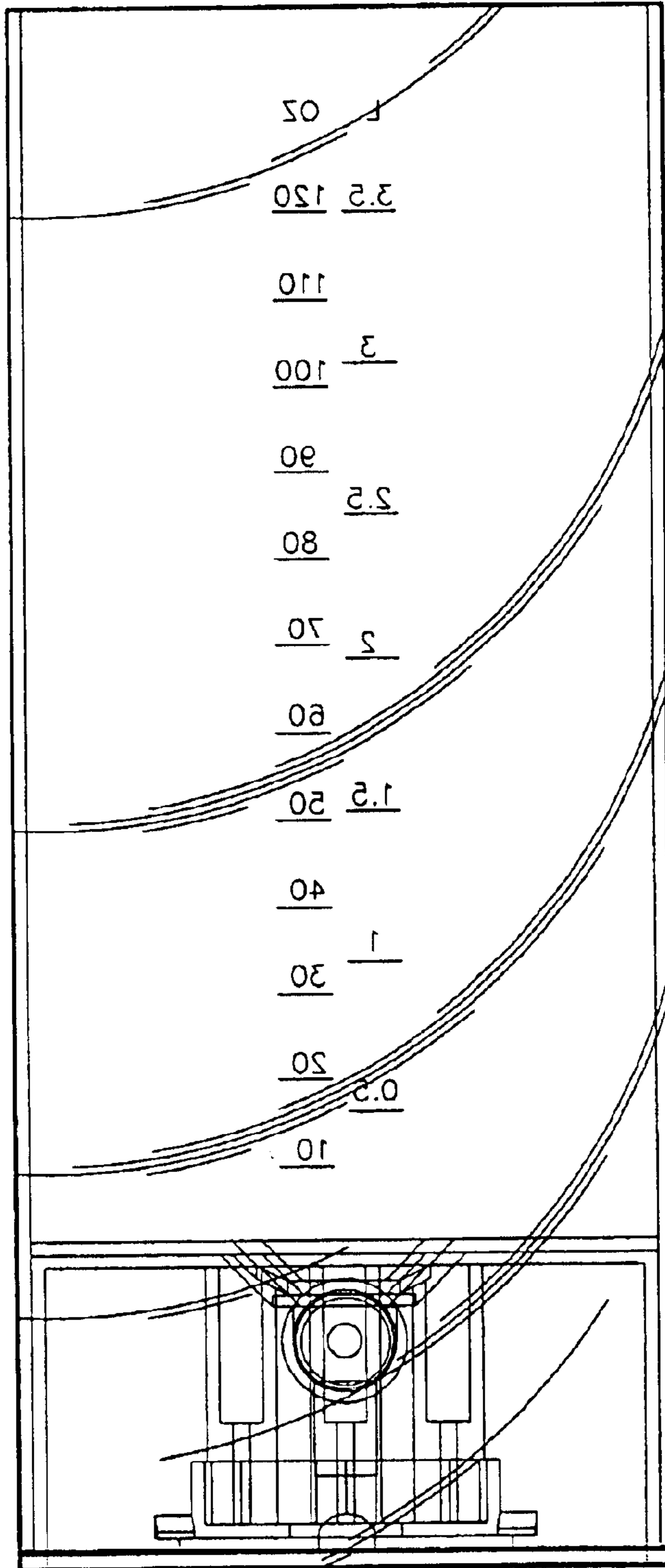


Fig. 11

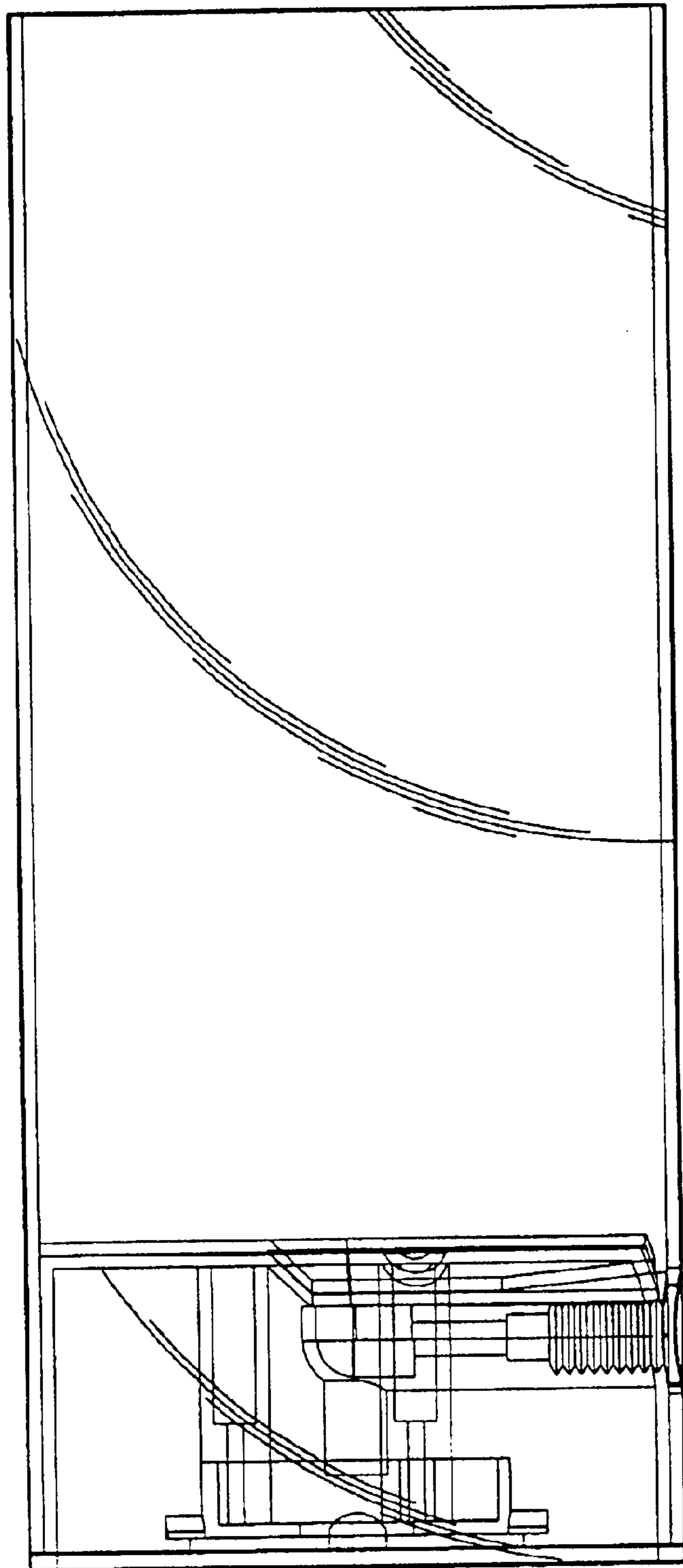


Fig. 12

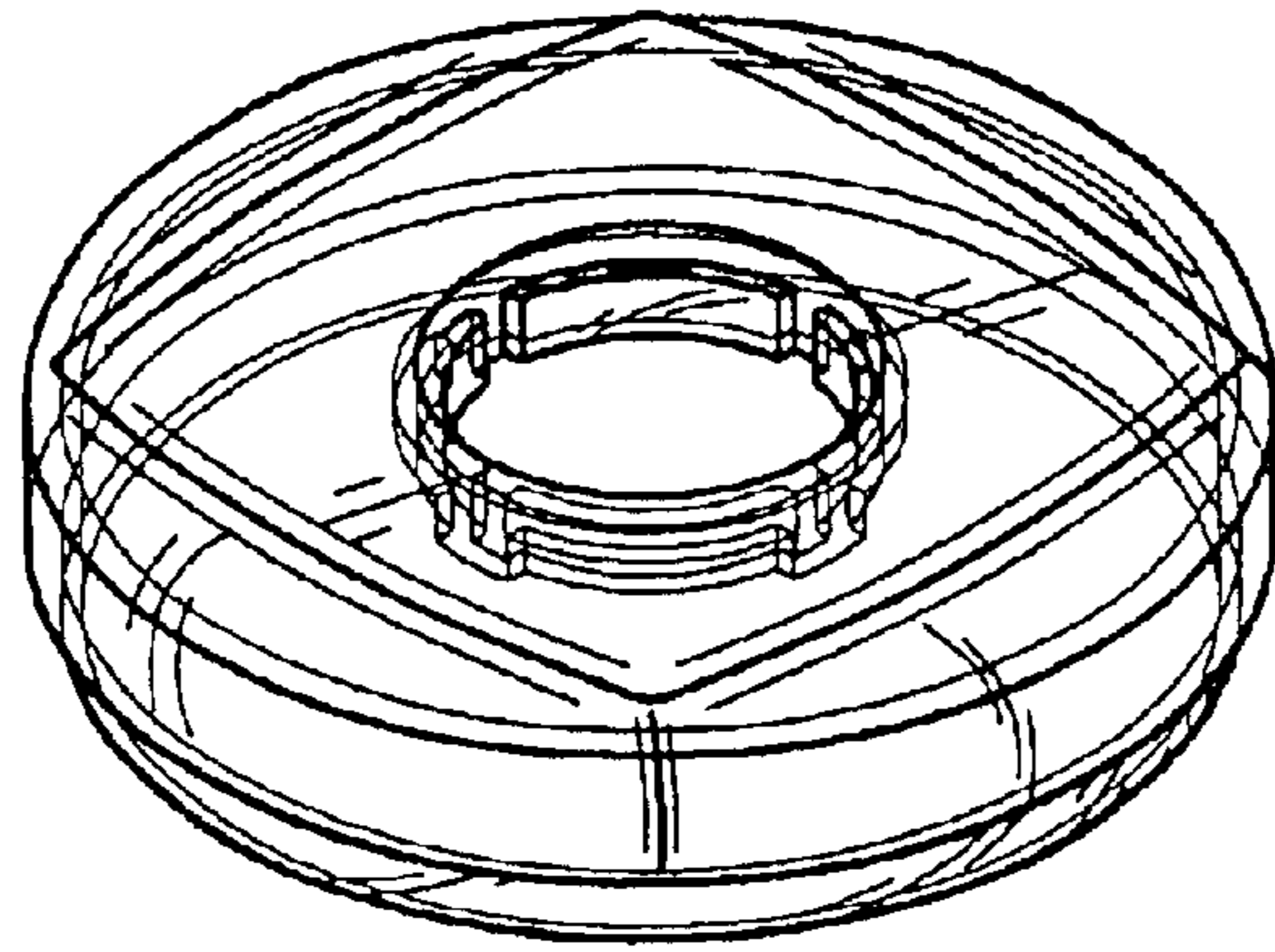


Fig. 13

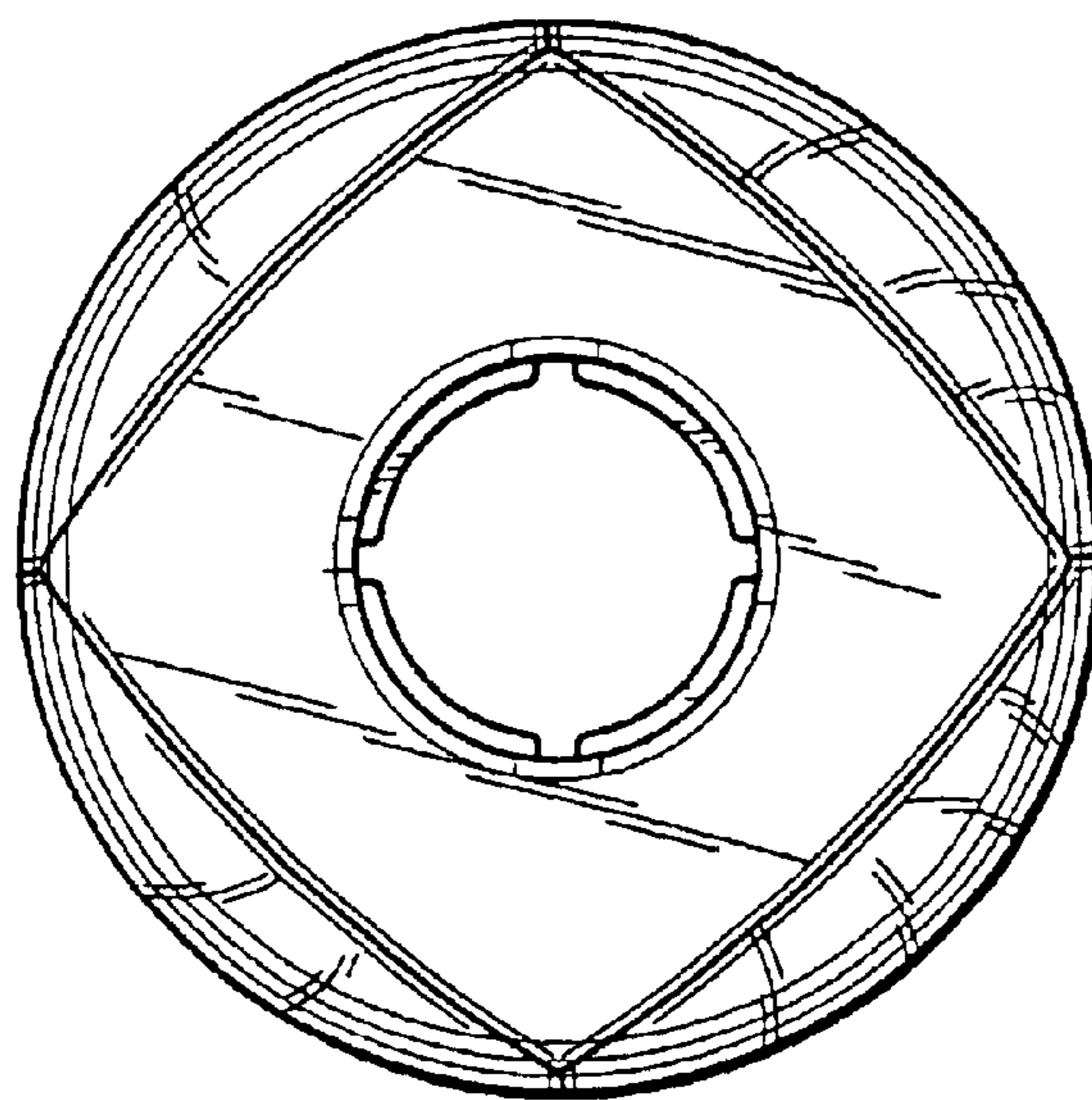


Fig. 14

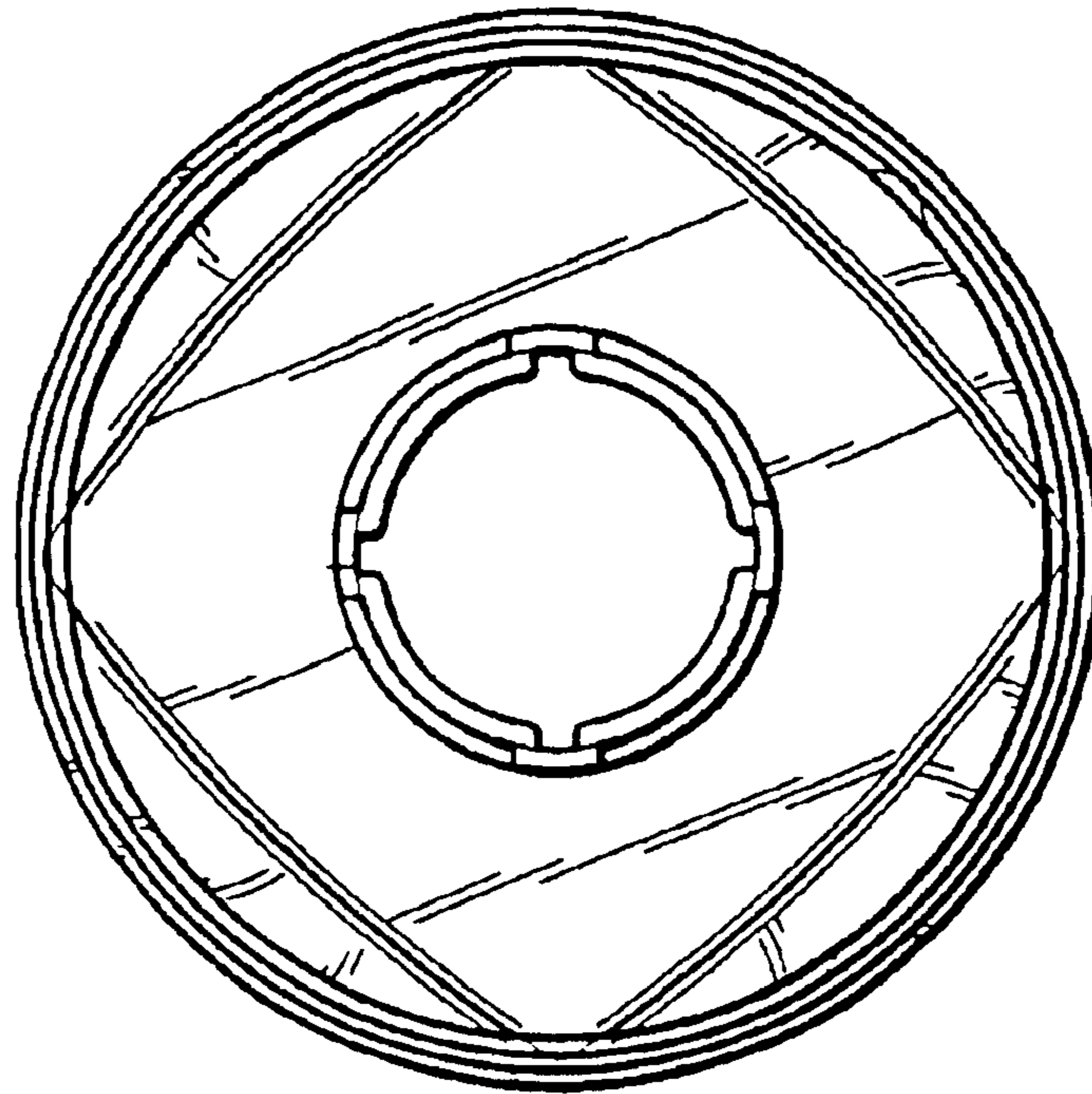


Fig. 15

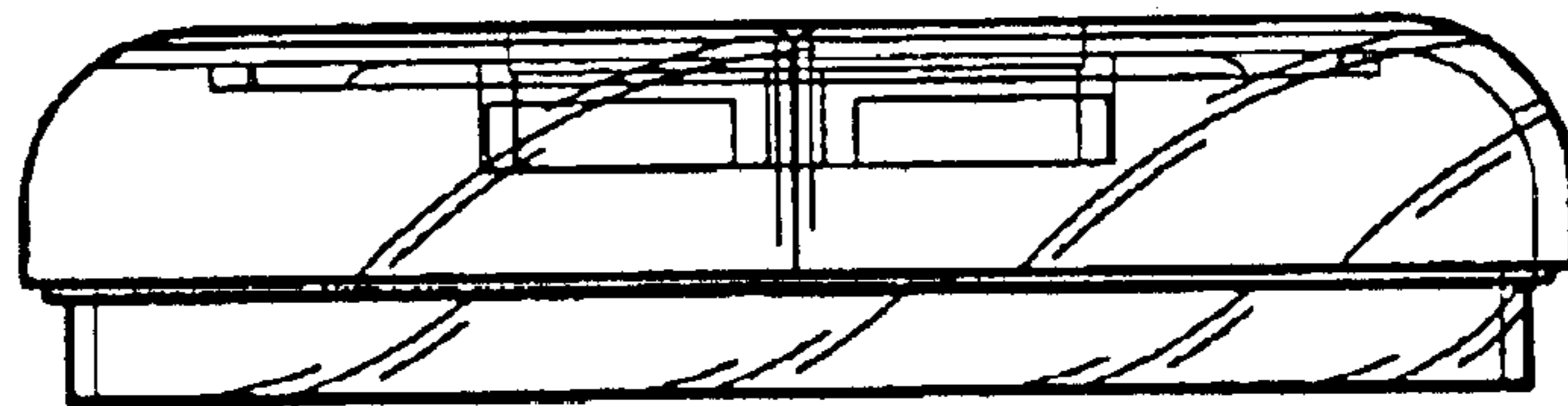


Fig. 16

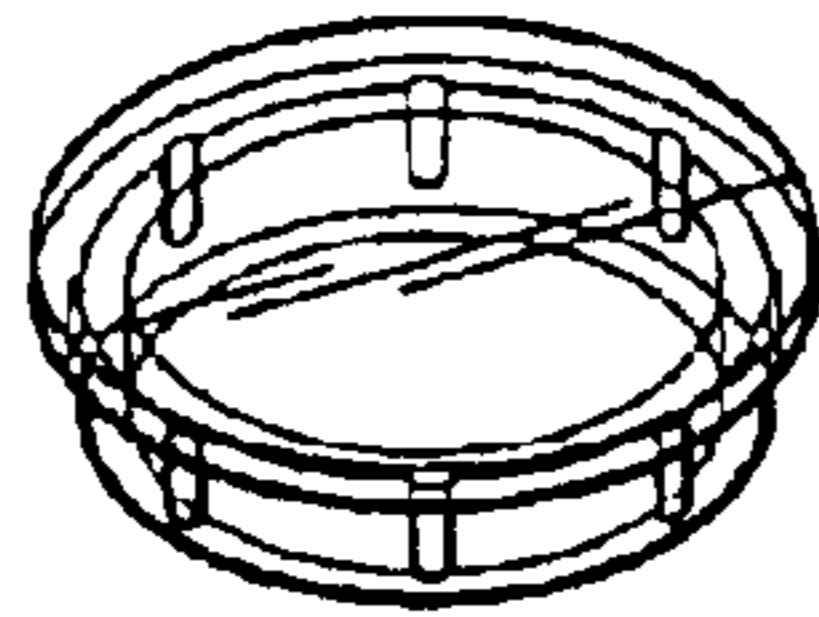


Fig. 17

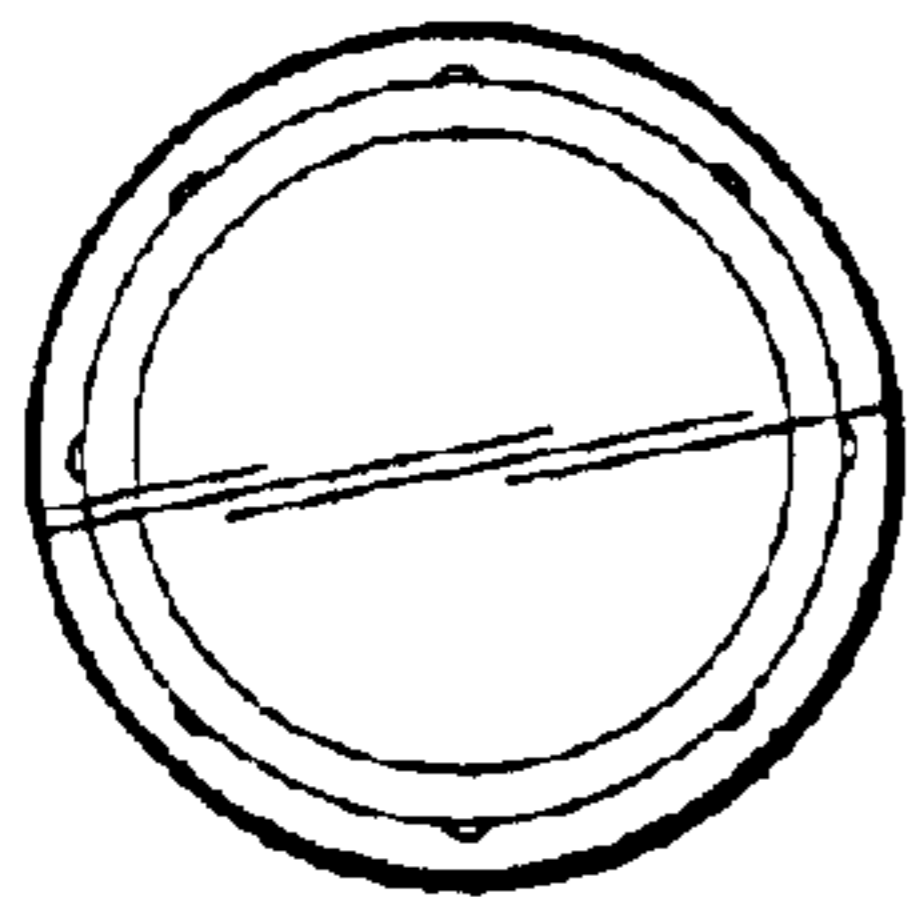


Fig. 18

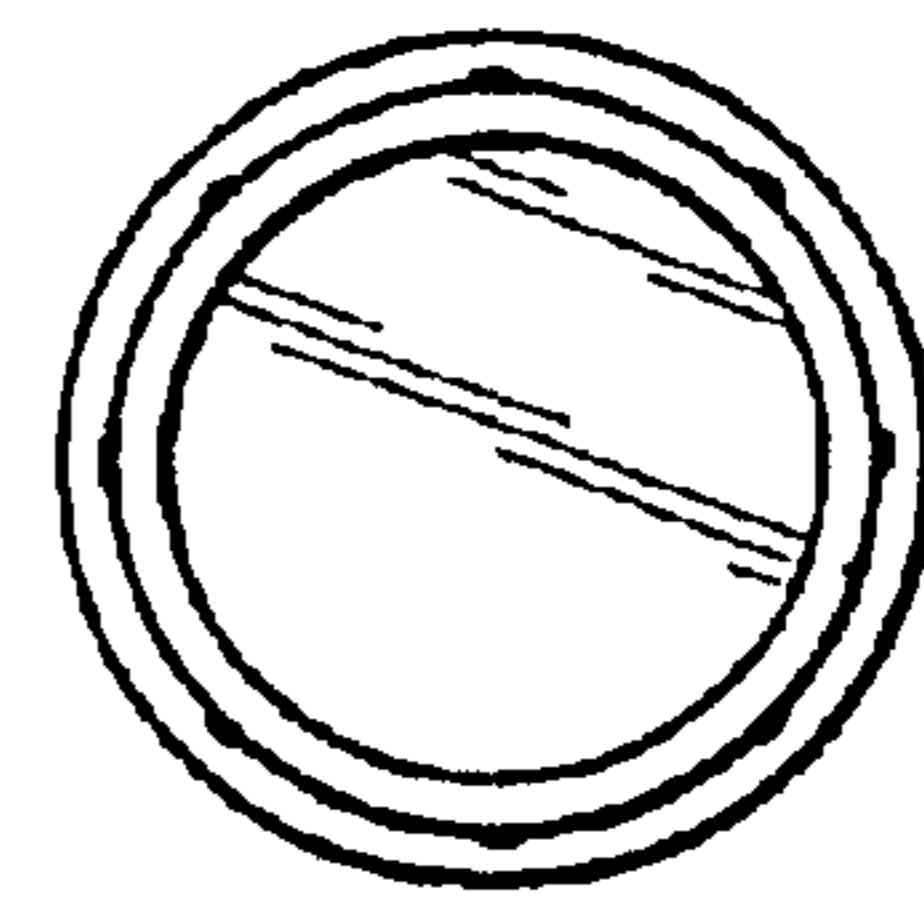


Fig. 19



Fig. 20

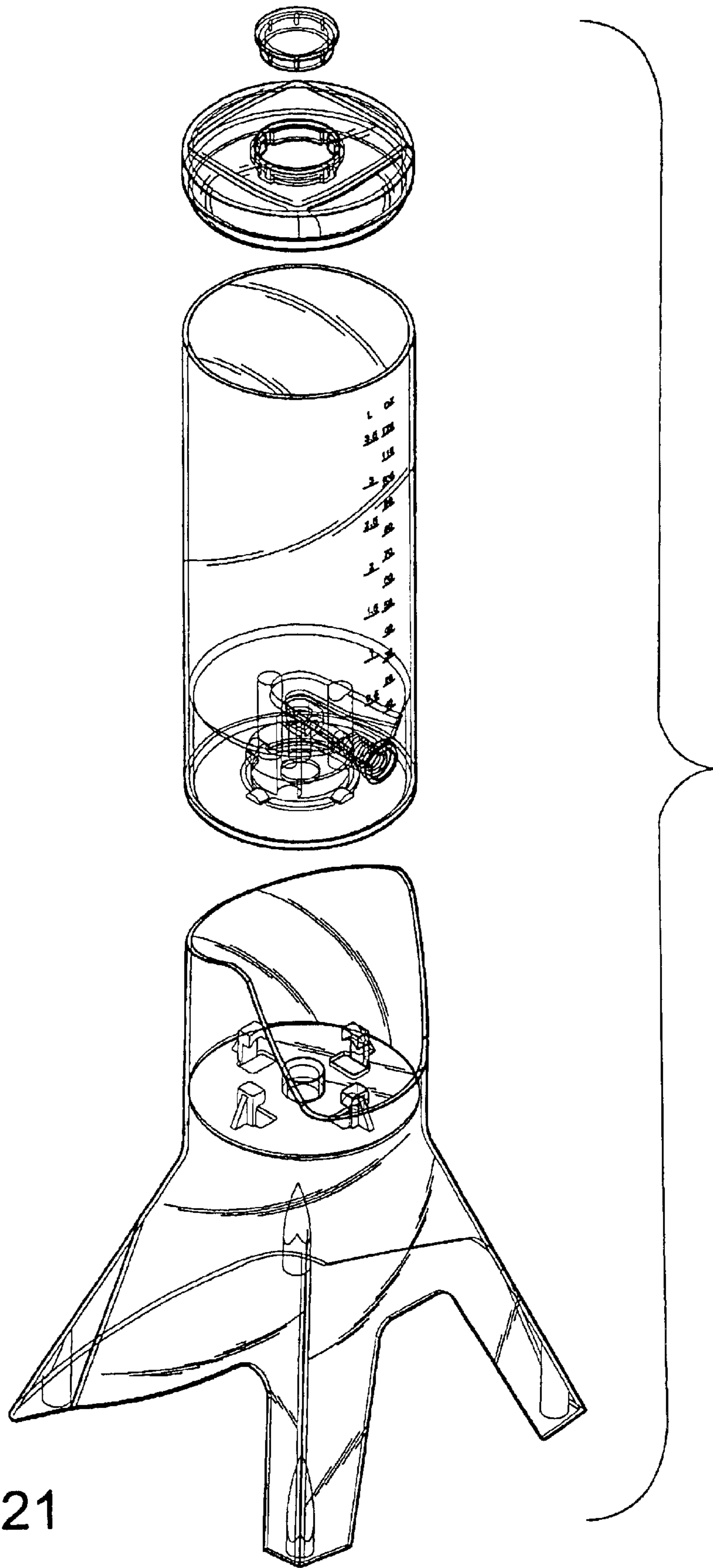


Fig. 21