

US00D499597S

(12) **United States Design Patent**  
**Martinetti**

(10) **Patent No.: US D499,597 S**

(45) **Date of Patent: \*\* Dec. 14, 2004**

(54) **SOFT STORAGE CASE WITH POCKETS FOR DISC AND COVER**

(75) **Inventor: Dominick Patrick Martinetti, Hong Kong (CN)**

(73) **Assignee: Total Impact Industrial Limited, Discovery Bay (HK)**

(\*\*) **Term: 14 Years**

(21) **Appl. No.: 29/179,031**

(22) **Filed: Apr. 4, 2003**

(51) **LOC (7) Cl. .... 19-04**

(52) **U.S. Cl. .... D6/626; D6/407; D6/629**

(58) **Field of Search .... D3/201, 218; D6/407, D6/626-635; 206/307.1, 308.1, 308.2, 308.3, 309, 311, 312, 387.11, 387.12, 387.15; 369/37, 75.2, 291; 379/355**

(56) **References Cited**

**U.S. PATENT DOCUMENTS**

3,500,995 A	*	3/1970	Forman	.....	206/0.84
D316,180 S	*	4/1991	Hines	.....	D6/629
5,165,544 A	*	11/1992	Gusenoff et al.	.....	206/308.3
D347,994 S	*	6/1994	Hammond	.....	D9/306
D360,800 S	*	8/1995	Temple et al.	.....	D6/629
5,462,160 A	*	10/1995	Youngs	.....	206/312
5,588,527 A	*	12/1996	Youngs	.....	206/308.1
5,720,384 A	*	2/1998	Wu-Chen	.....	206/308.1

D411,402 S	*	6/1999	Udwin et al.	.....	D6/626
D426,099 S	*	6/2000	Udwin et al.	.....	D6/626
D432,343 S	*	10/2000	Drew et al.	.....	D6/626
D434,262 S	*	11/2000	Bergh et al.	.....	D6/626
D435,188 S	*	12/2000	O'Mullane	.....	D6/626
D467,610 S	*	12/2002	Barton	.....	D19/33
6,681,929 B2	*	1/2004	Bergh et al.	.....	206/308.1
6,698,587 B2	*	3/2004	Bergh et al.	.....	206/308.1

\* cited by examiner

*Primary Examiner*—Celia Murphy

(74) *Attorney, Agent, or Firm*—Sughrue Mion, PLLC

(57) **CLAIM**

The ornamental design for a soft storage case with pockets for disc and cover, as shown and described.

**DESCRIPTION**

FIG. 1 is a perspective view of a soft storage case with double dip pockets for holding discs, such as CDR or DVD, in inner pockets and a cover in outer transparent pockets; FIG. 2 is a front view thereof, showing the transparent pocket; FIG. 3 is a back view thereof, showing the transparent pocket; FIG. 4 is a left side view thereof; FIG. 5 is a right side view thereof; FIG. 6 is a top view thereof; and, FIG. 7 is a bottom view thereof.

**1 Claim, 3 Drawing Sheets**

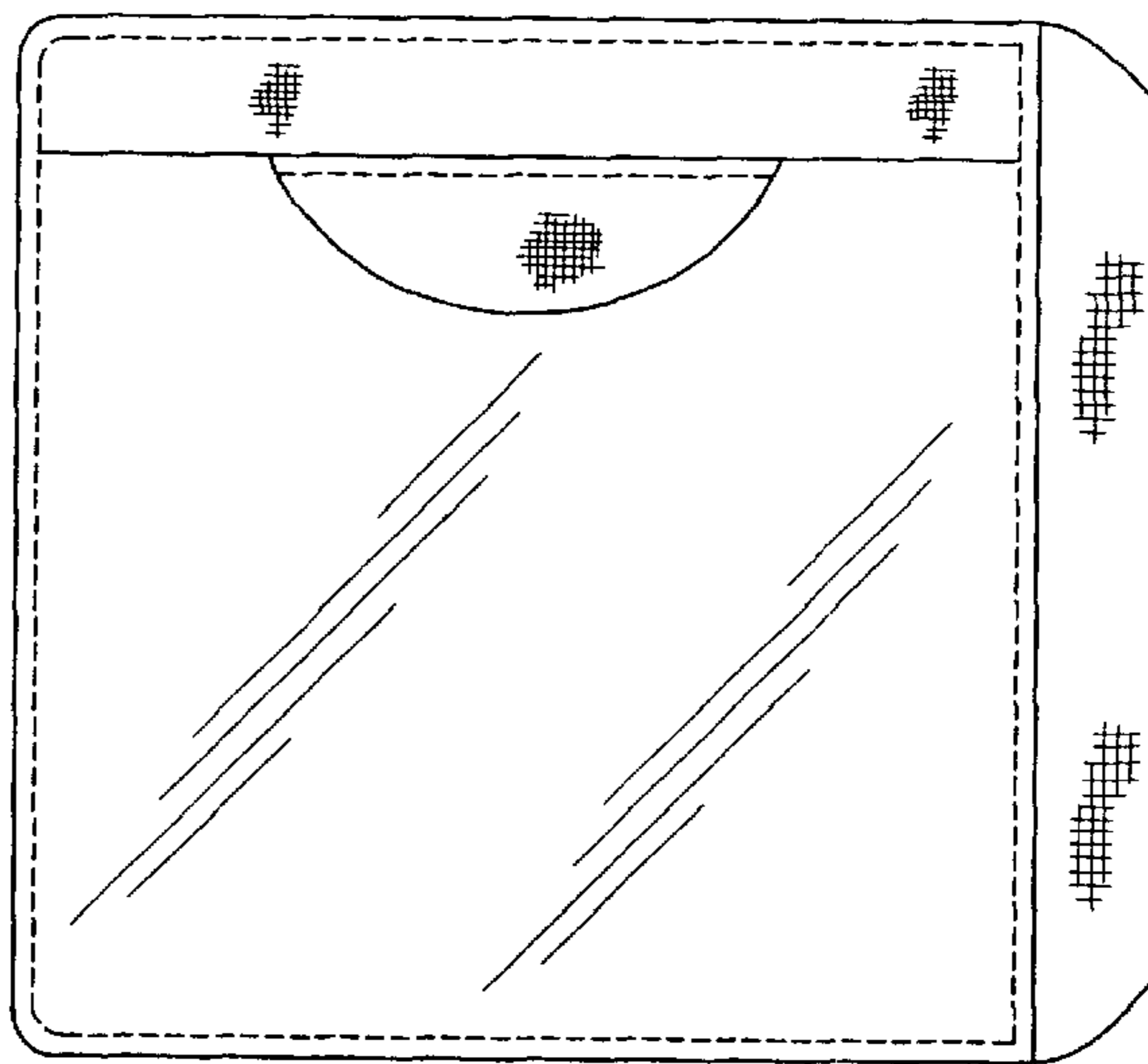
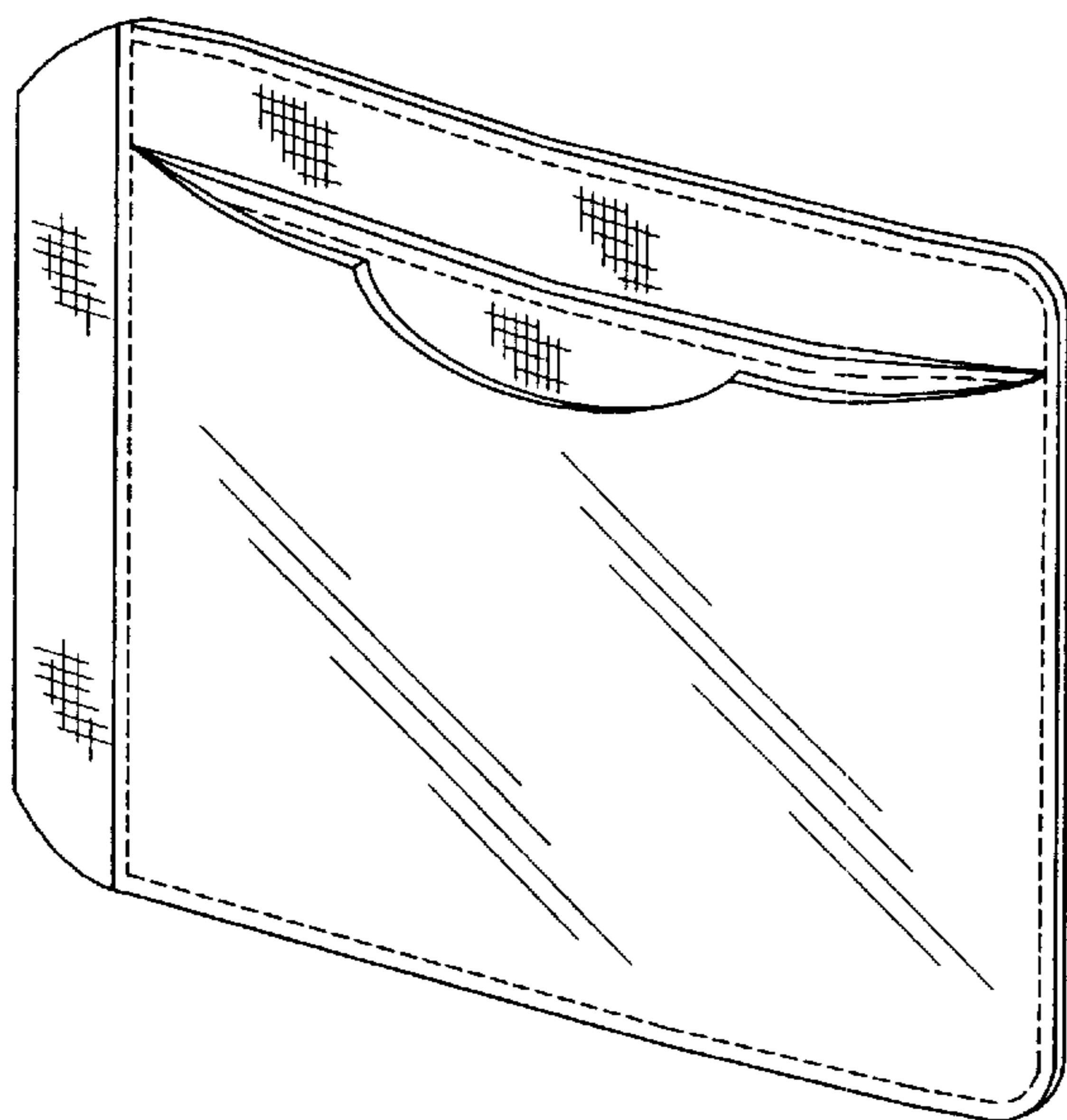


FIG. 1

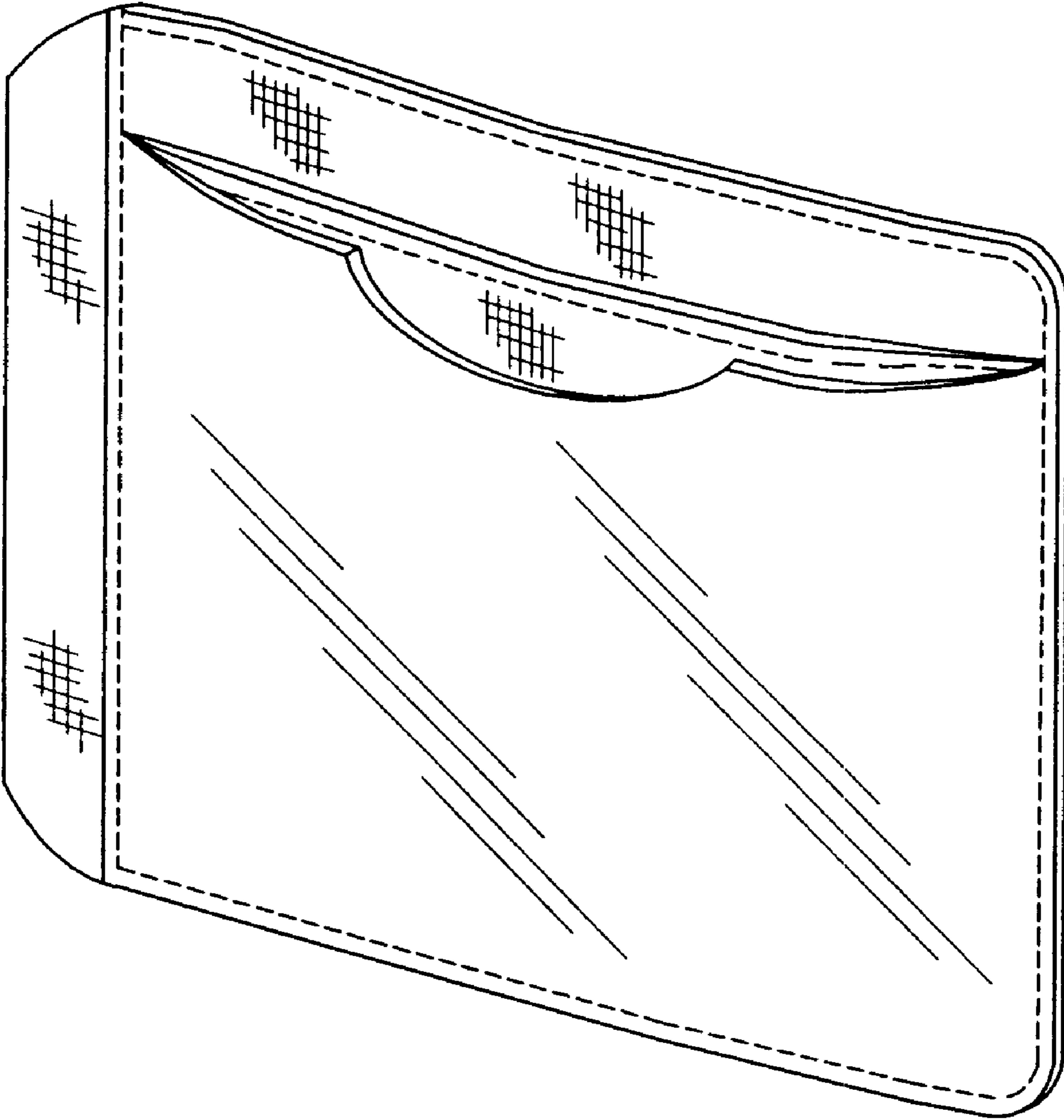


FIG. 2

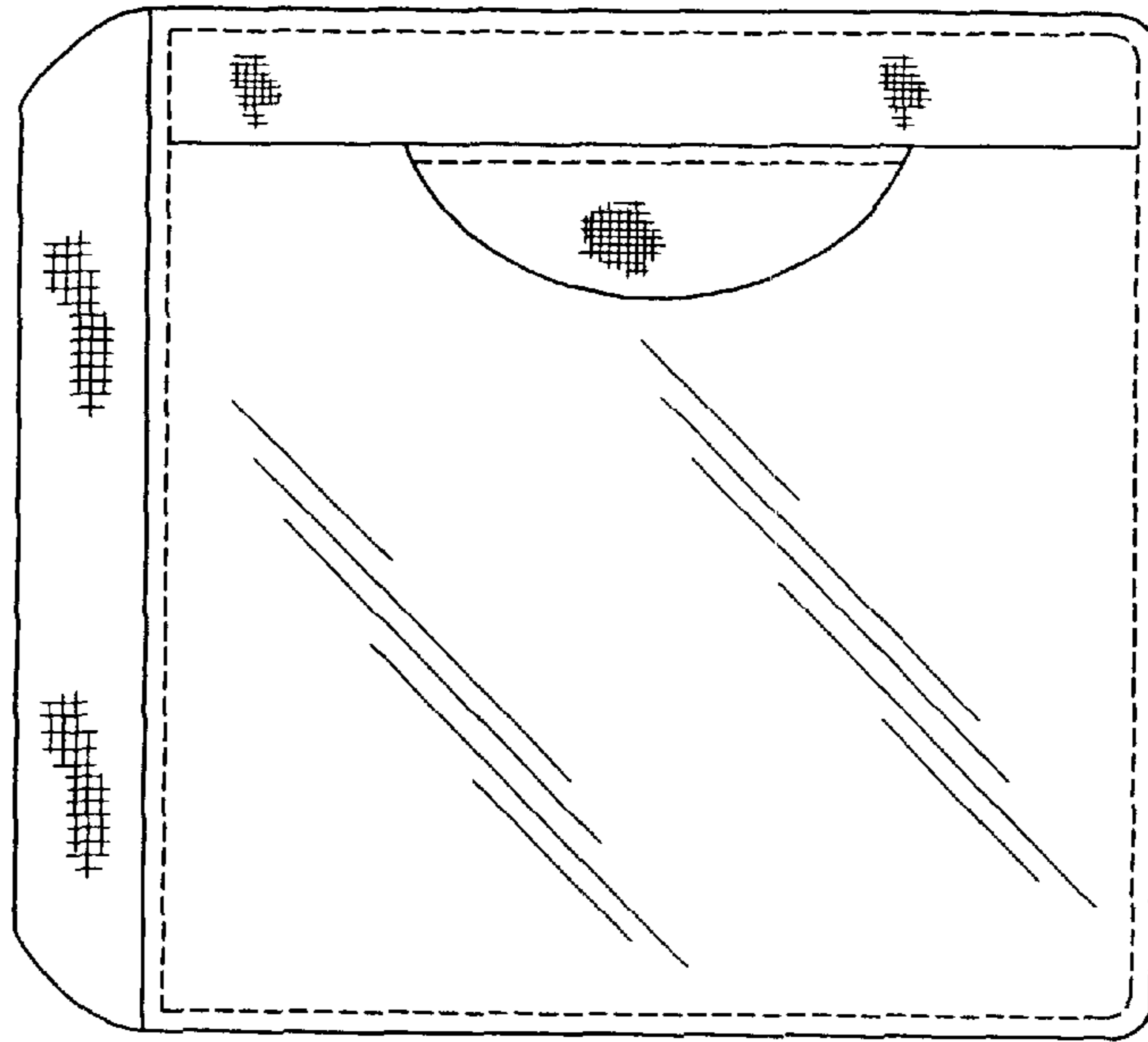


FIG. 3

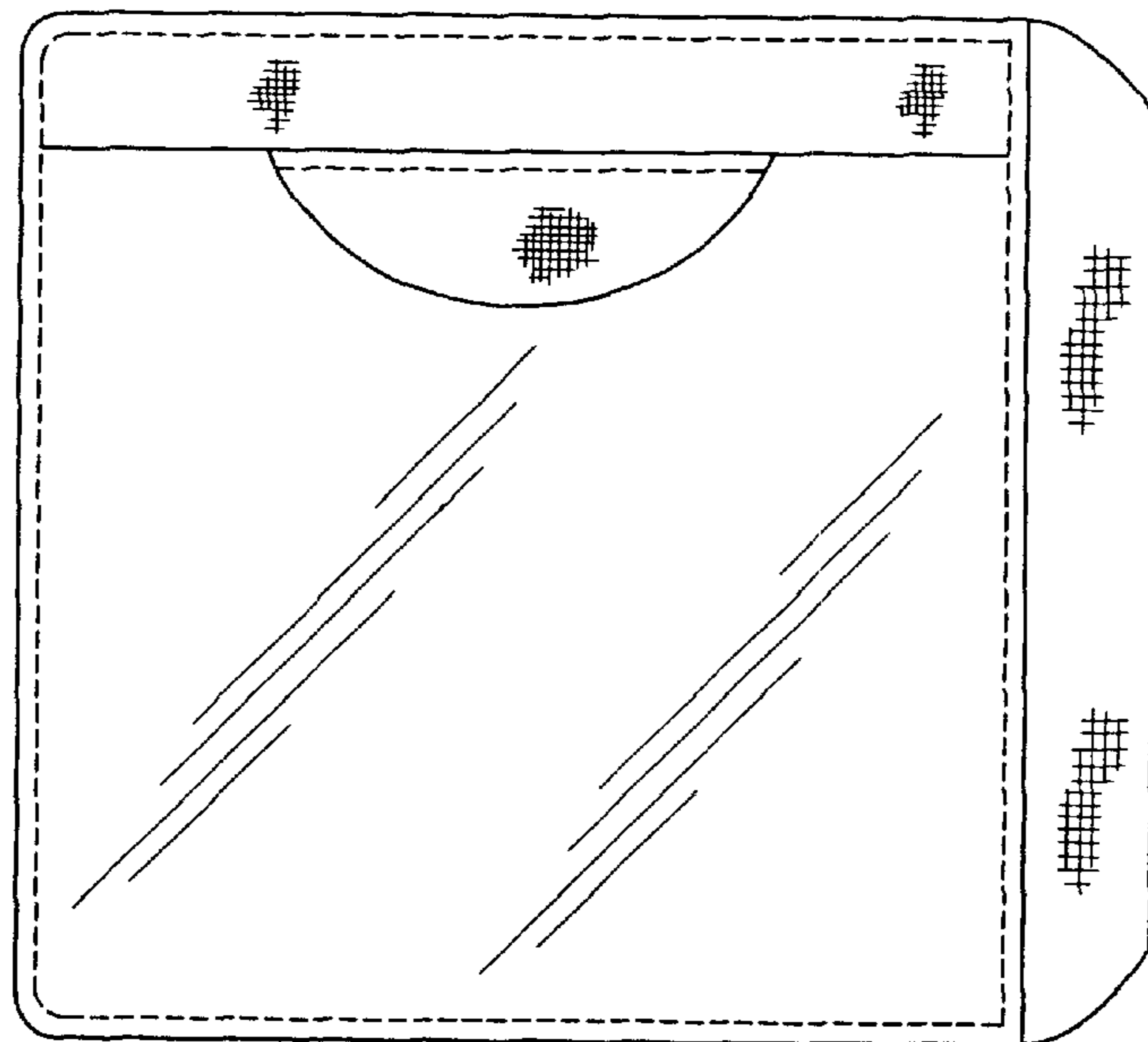


FIG. 6

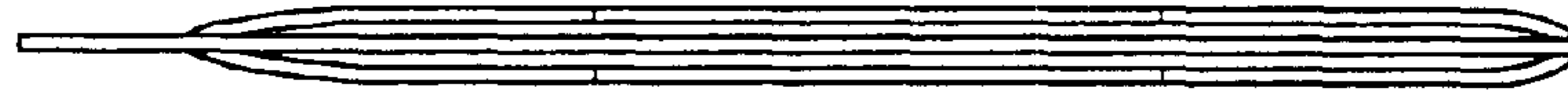


FIG. 4



FIG. 5



FIG. 7

