

US00D499590S

(12) **United States Design Patent**
Meredith

(10) **Patent No.:** **US D499,590 S**

(45) **Date of Patent:** **** Dec. 14, 2004**

(54) **CAN DISPENSER**

(75) Inventor: **Kevin Meredith**, Jonesboro, AR (US)

(73) Assignee: **Can-Corp. Inc.**, Jonesboro, AR (US)

(**) Term: **14 Years**

(21) Appl. No.: **29/192,329**

(22) Filed: **Oct. 23, 2003**

(51) **LOC (7) Cl.** **20-02**

(52) **U.S. Cl.** **D6/515**

(58) **Field of Search** D6/515, 517-519;
D1/199; 206/425, 554; 221/26, 33, 45,
282, 284; 222/92, 105, 173, 180, 181.1,
181.2

(56) **References Cited**

U.S. PATENT DOCUMENTS

D276,020 S	*	10/1984	Battista	D6/515
D369,708 S	*	5/1996	Breen	D6/515
D402,837 S	*	12/1998	Boire et al.	D6/515
D414,636 S	*	10/1999	Wiese	D6/515
D472,398 S	*	4/2003	Sparkowski	D6/518

* cited by examiner

Primary Examiner—Brian N Vinson

(74) *Attorney, Agent, or Firm*—Stephen D. Carver

(57) **CLAIM**

The ornamental design for a can dispenser, as shown and described.

DESCRIPTION

FIG. 1 is a frontal isometric view of my new can dispenser; FIG. 2 is a rear isometric view thereof; FIG. 3 is a front elevational view; FIG. 4 is a rear elevational view; FIG. 5 is a right end elevational view; FIG. 6 is a left end elevational view; FIG. 7 is a top plan view; FIG. 8 is a bottom plan view; and, FIG. 9 is a frontal isometric view of the can dispenser thereof, the broken-line disclosure of cans and tops being for illustrative purposes only and forming no part of the claimed design.

1 Claim, 9 Drawing Sheets

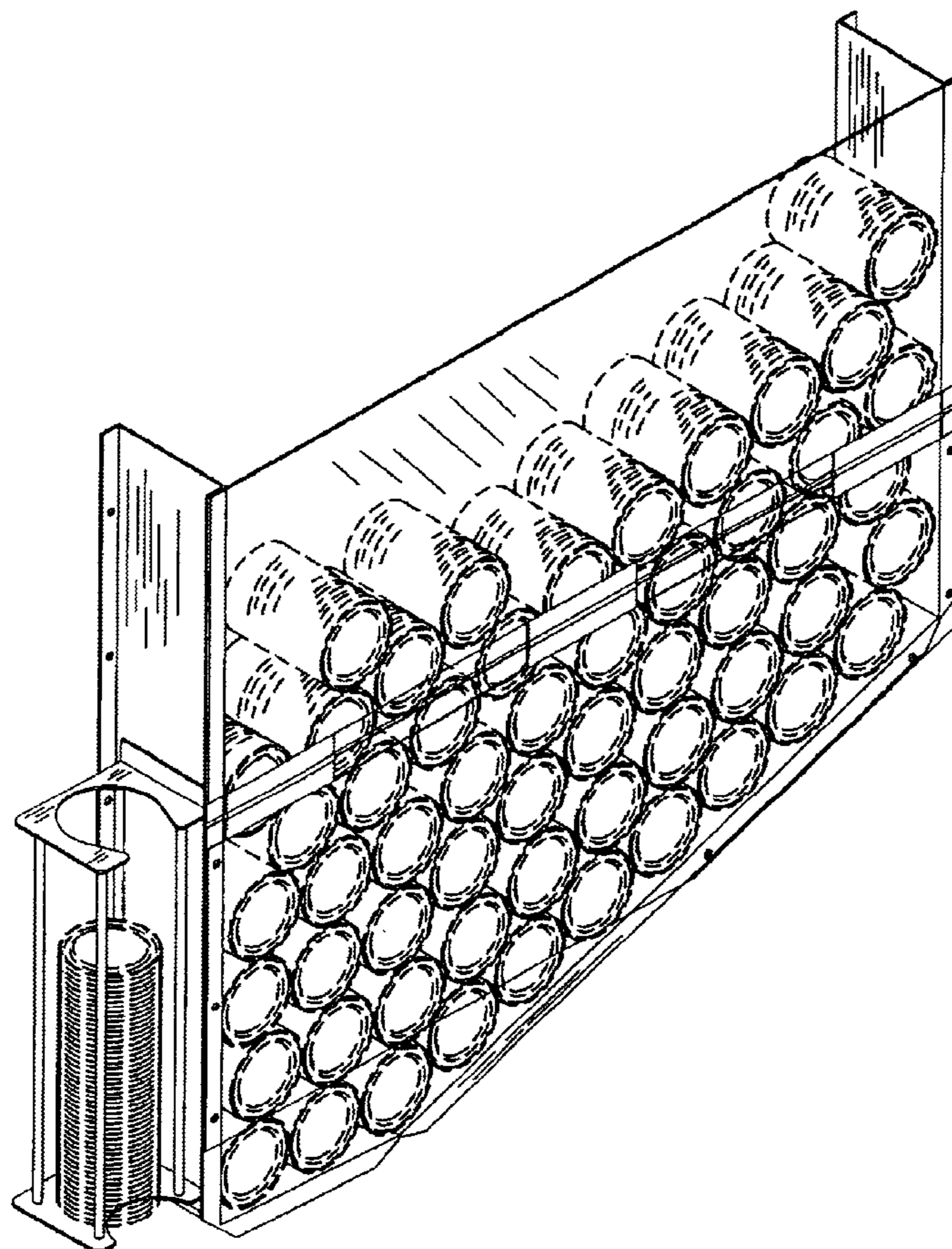


Fig. 1

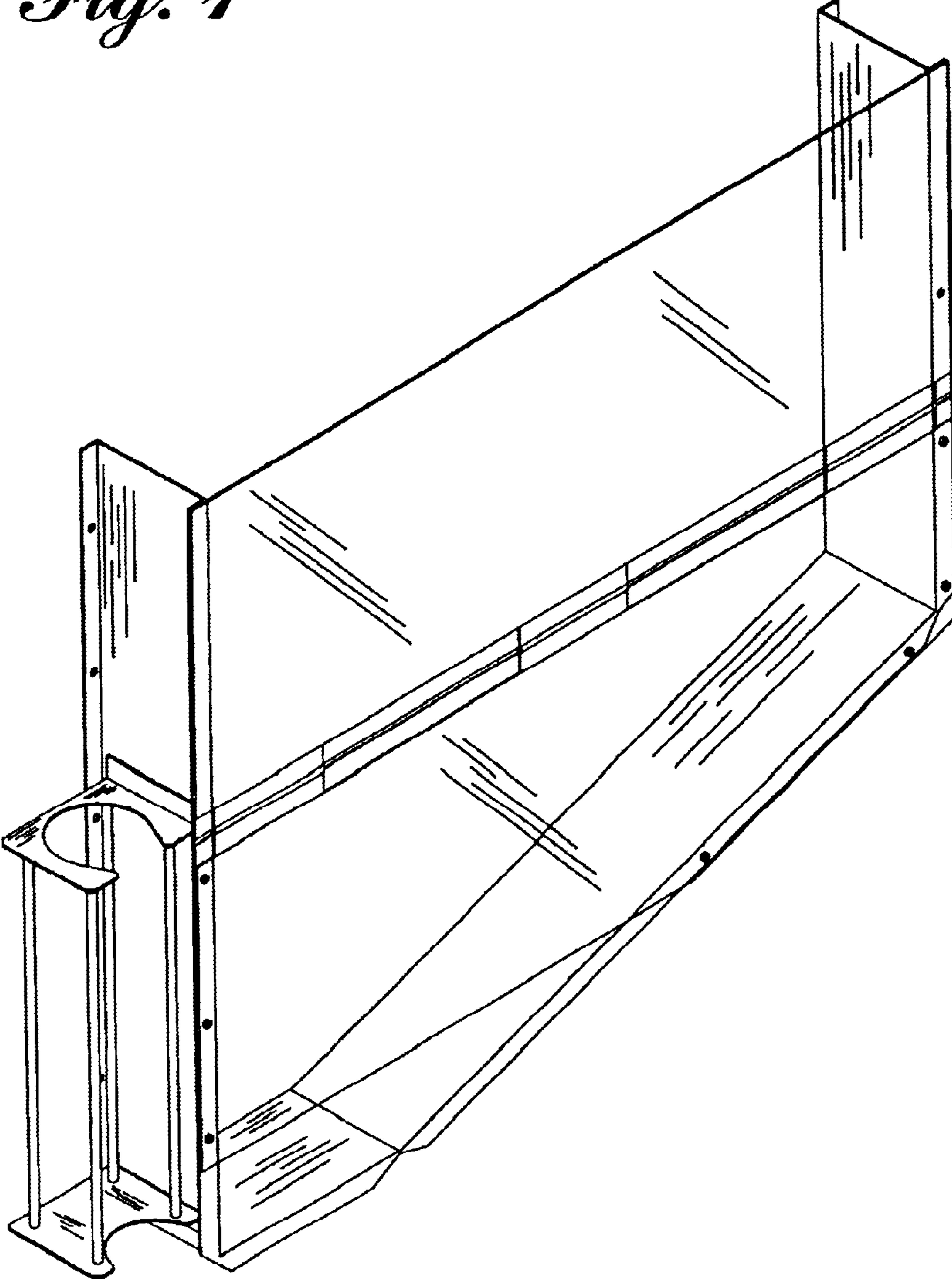


Fig. 2

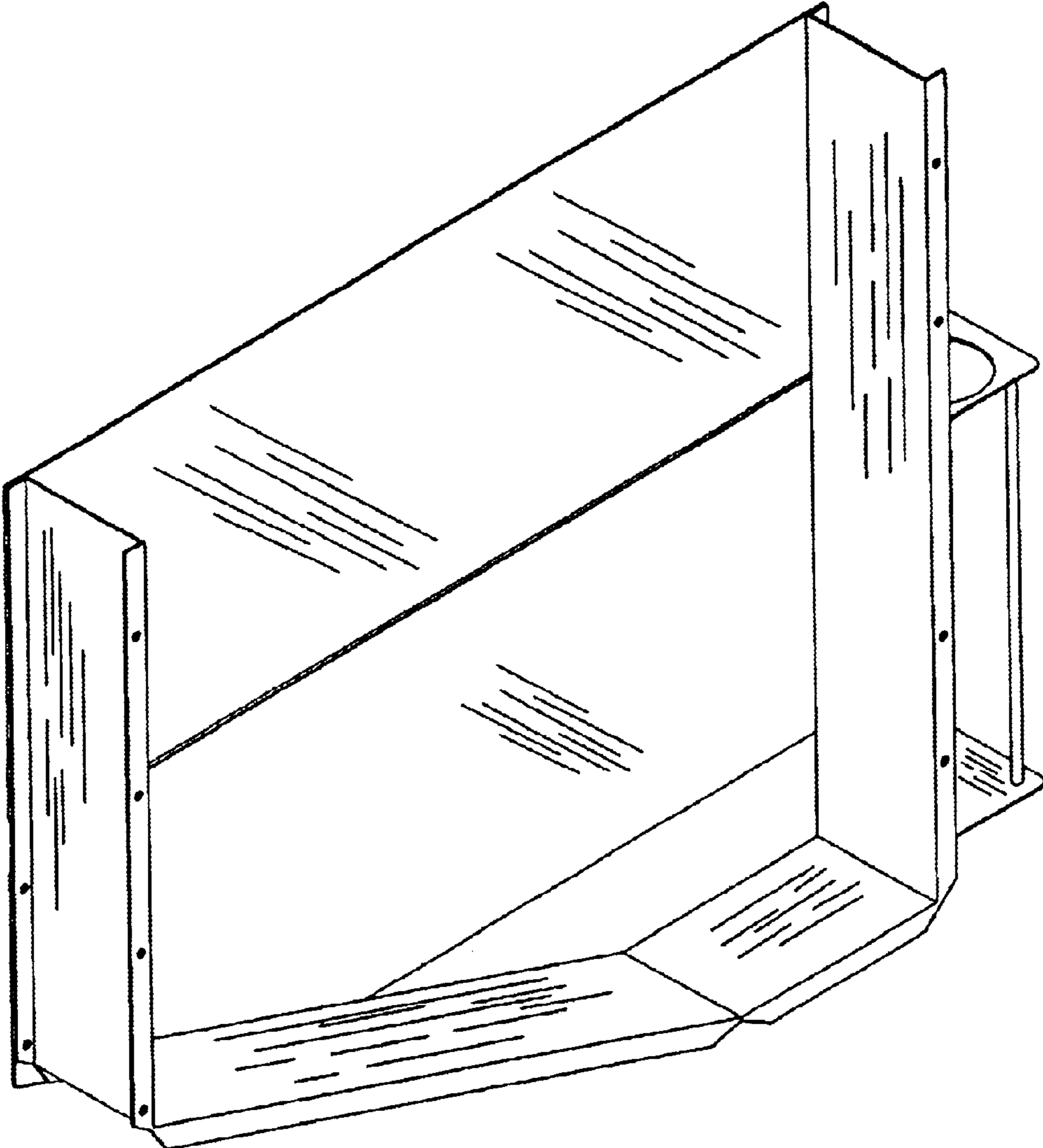


Fig. 3

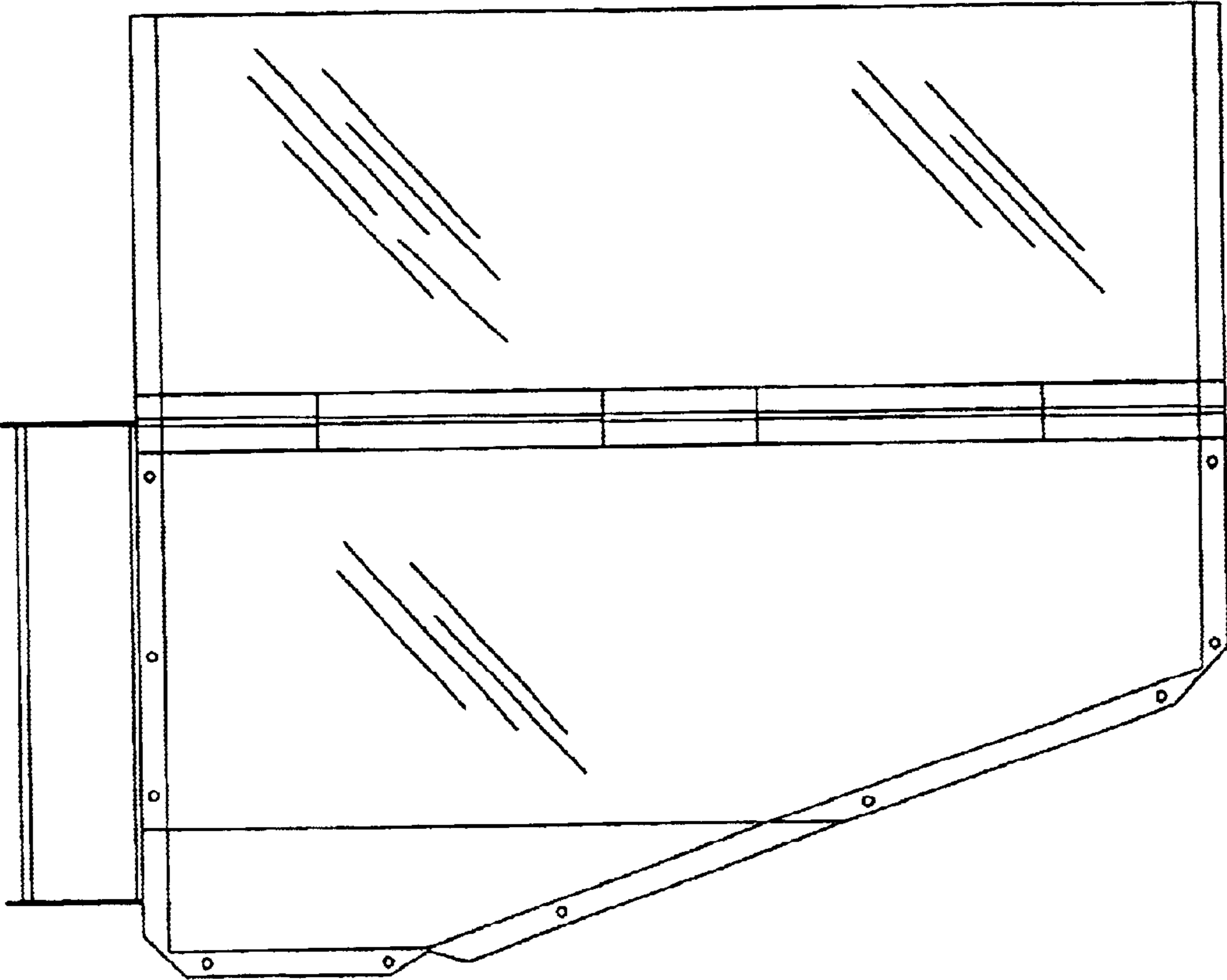


Fig. 4

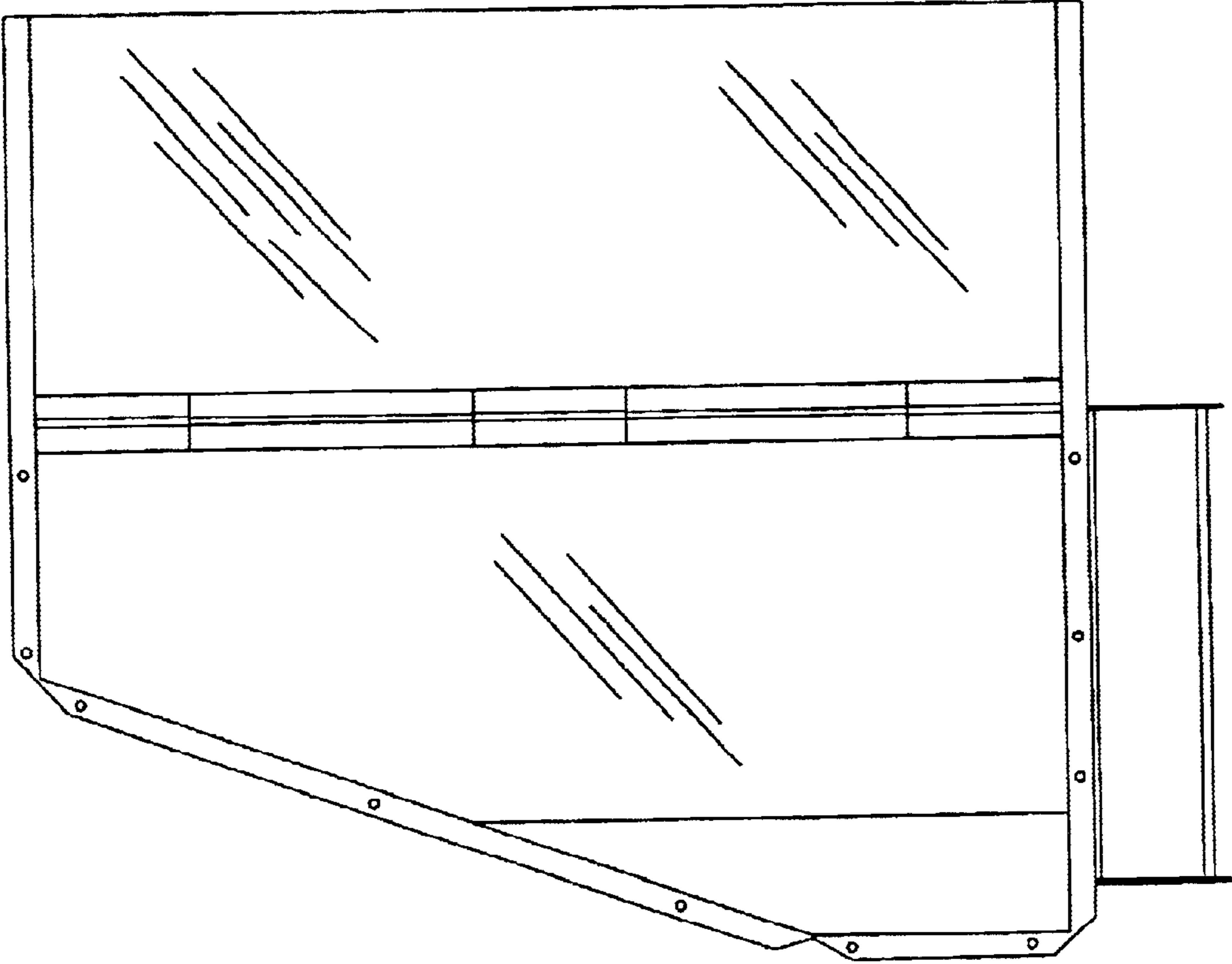


Fig. 5

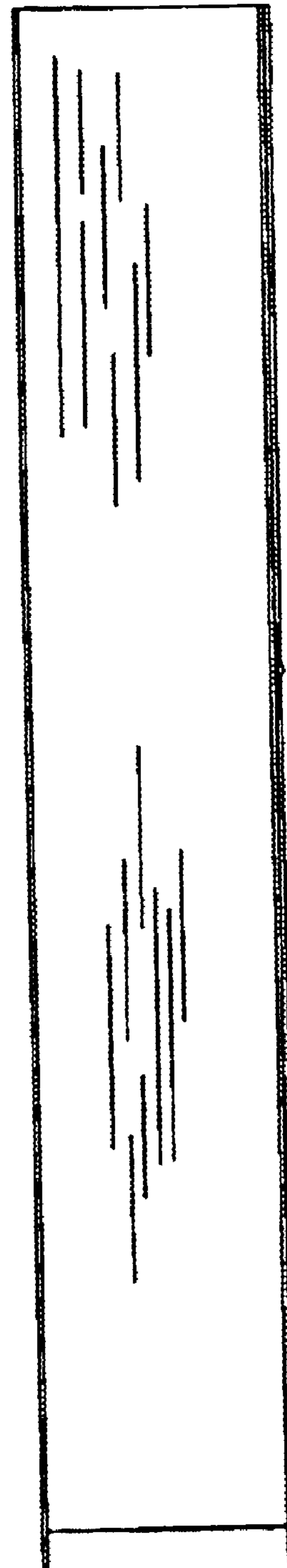


Fig. 6

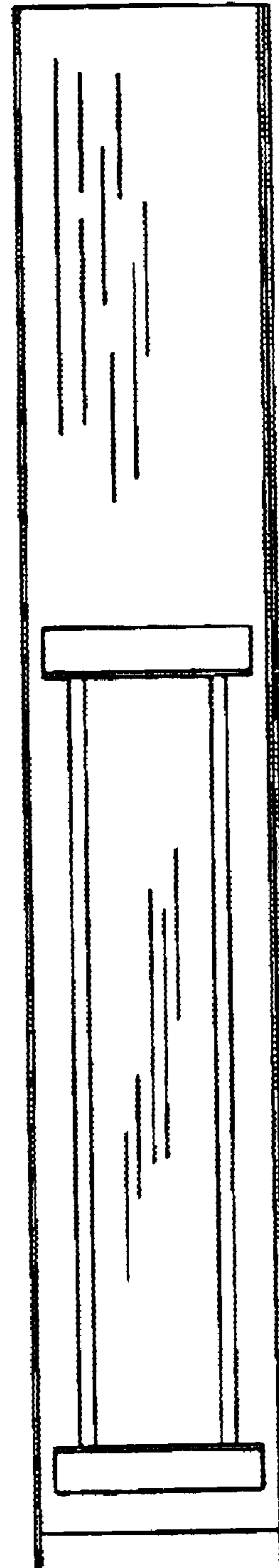


Fig. 7

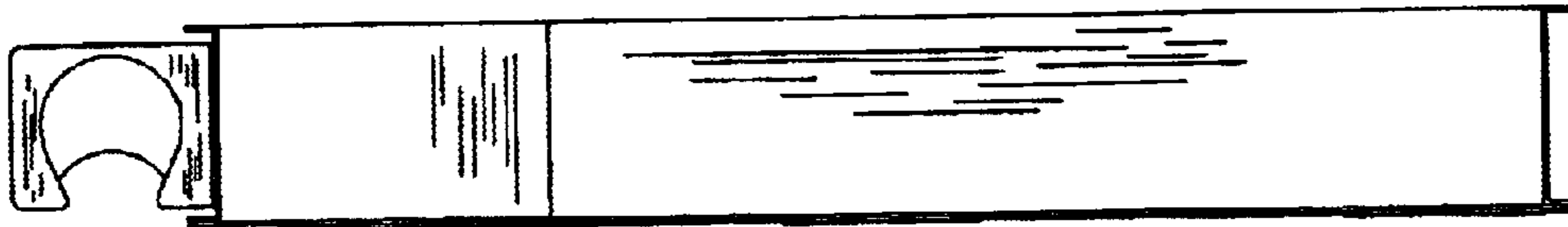


Fig. 8

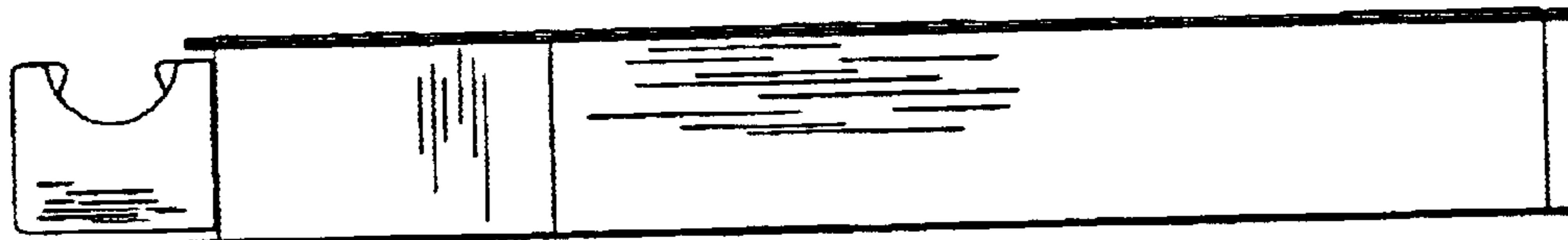


Fig. 9

