

US00D499588S

(12) **United States Design Patent**  
**Mohundro**

(10) **Patent No.:** **US D499,588 S**  
(45) **Date of Patent:** **\*\* Dec. 14, 2004**

(54) **BED HEADBOARD**

D495,161 S \* 8/2004 Cappaert ..... D6/393

(75) **Inventor:** **James Glenn Mohundro, Taichung (TW)**

**OTHER PUBLICATIONS**

Burlington, Stone Gate, c1983, headboard at bottom right.\*

(73) **Assignee:** **Pacific Marketing International Co., Ltd., Taichung (TW)**

\* cited by examiner

(\*\*) **Term:** **14 Years**

*Primary Examiner*—Janice E. Seeger

(74) *Attorney, Agent, or Firm*—Rosenberg, Klein & Lee

(21) **Appl. No.:** **29/192,144**

(57) **CLAIM**

(22) **Filed:** **Oct. 21, 2003**

The ornamental design for a bed headboard, as shown and described.

(51) **LOC (7) Cl.** ..... **06-06**

(52) **U.S. Cl.** ..... **D6/505**

(58) **Field of Search** ..... D6/382, 388, 389,  
D6/392–395, 505–508, 503; 5/53.1, 279.1,  
280, 281, 907, 285, 310

**DESCRIPTION**

FIG. 1 is a perspective view of a bed headboard, showing my new design;

FIG. 2 is a front elevational view thereof;

FIG. 3 is a rear elevational view thereof;

FIG. 4 is a left elevational view thereof; and

FIG. 5 is a right elevational view thereof;

FIG. 6 is a top plan view thereof; and,

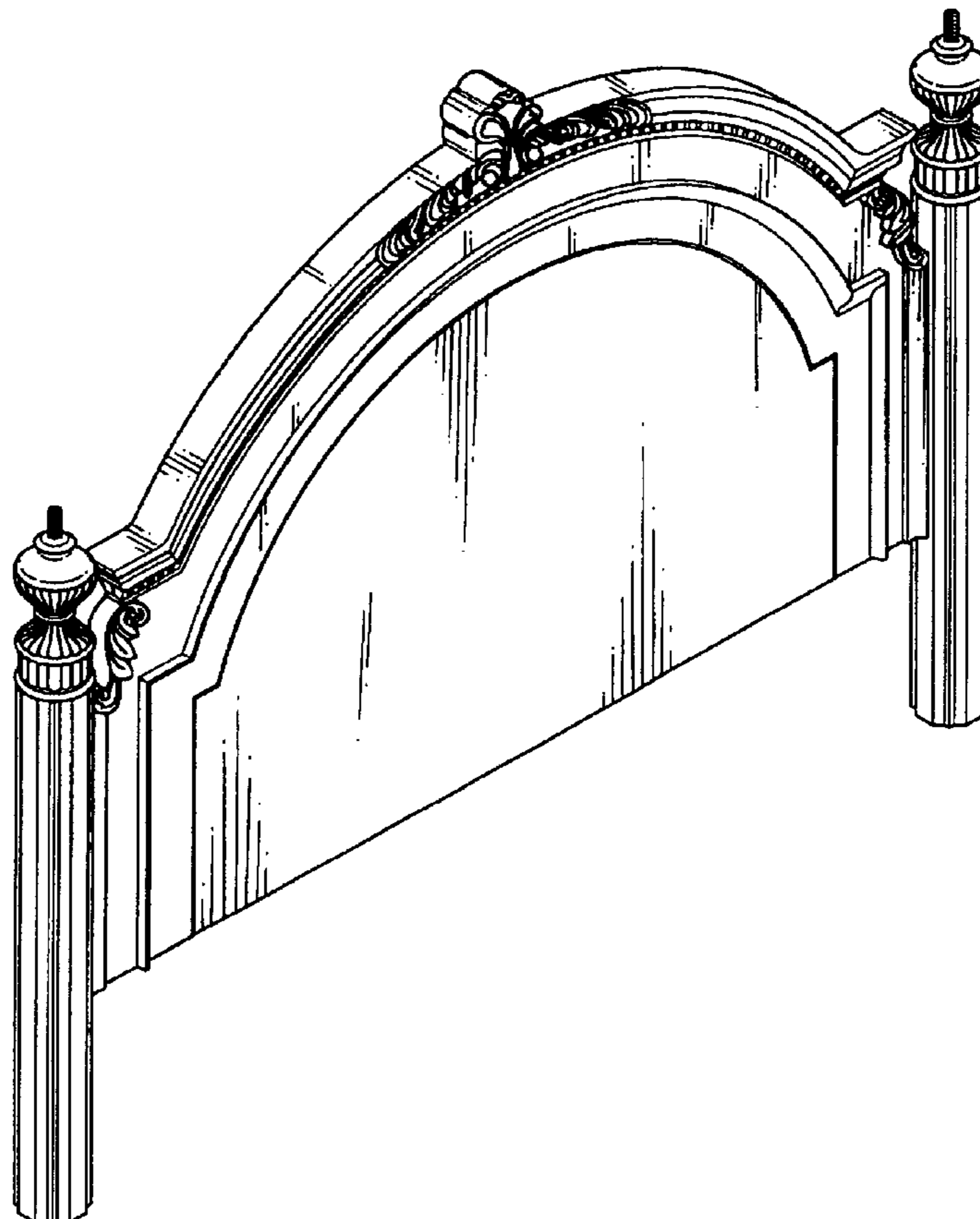
FIG. 7 is a bottom plan view thereof.

(56) **References Cited**

**U.S. PATENT DOCUMENTS**

- D421,855 S \* 3/2000 McDaniel et al. .... D6/393
- D462,848 S \* 9/2002 Lenger ..... D6/393
- D469,285 S \* 1/2003 Stanton ..... D6/505
- D474,918 S \* 5/2003 Tobin, Jr. .... D6/393

**1 Claim, 5 Drawing Sheets**



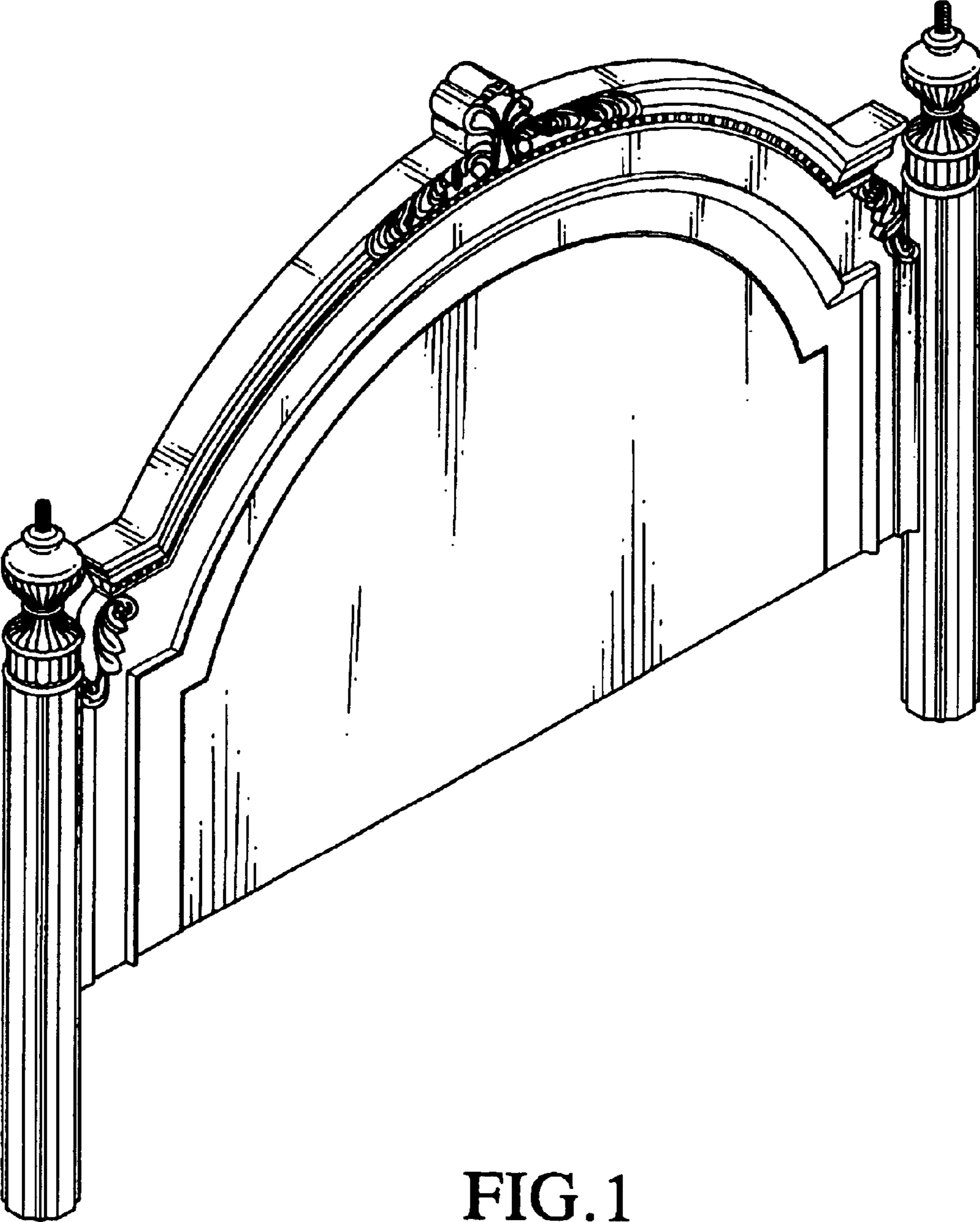


FIG. 1

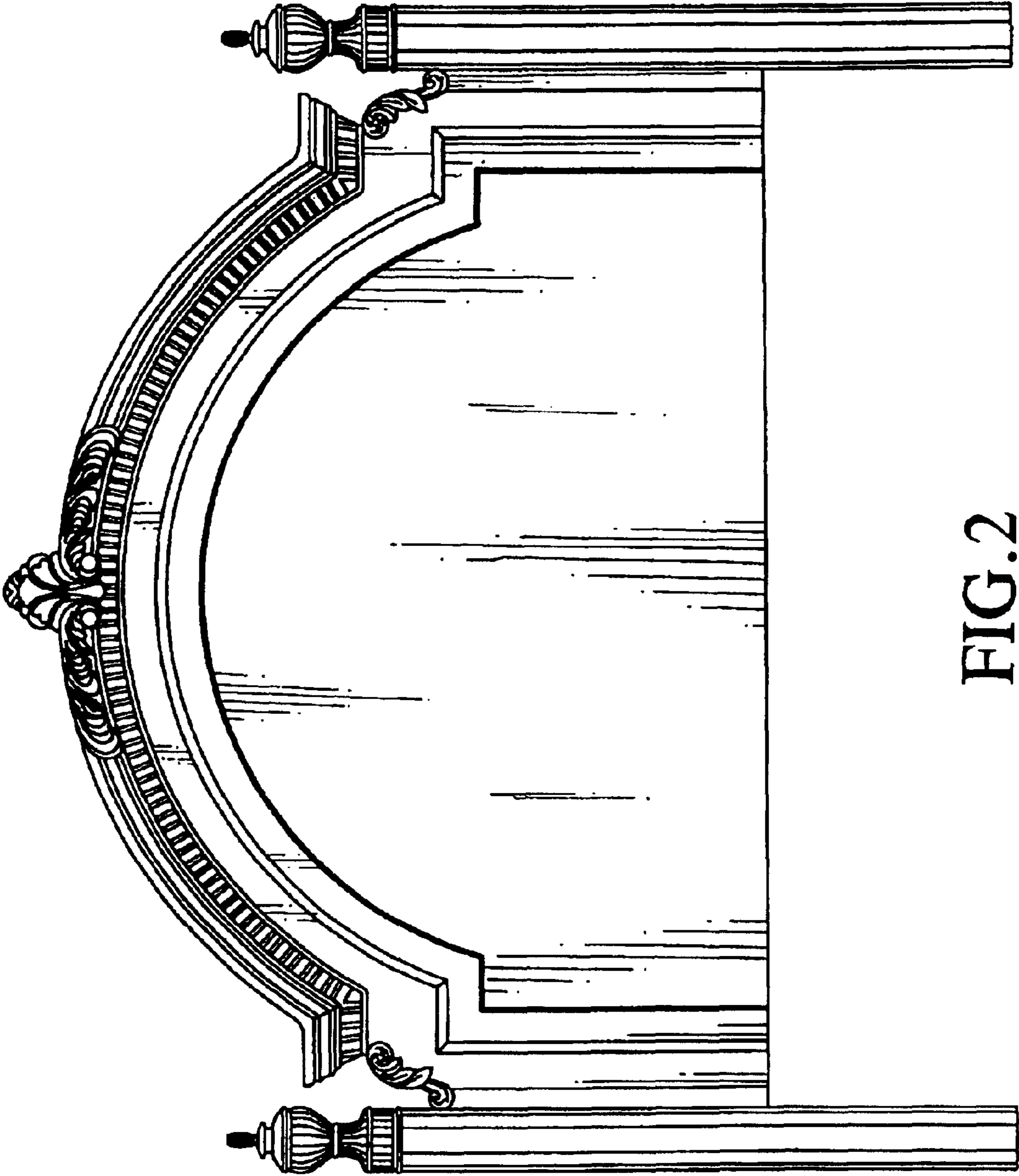


FIG. 2

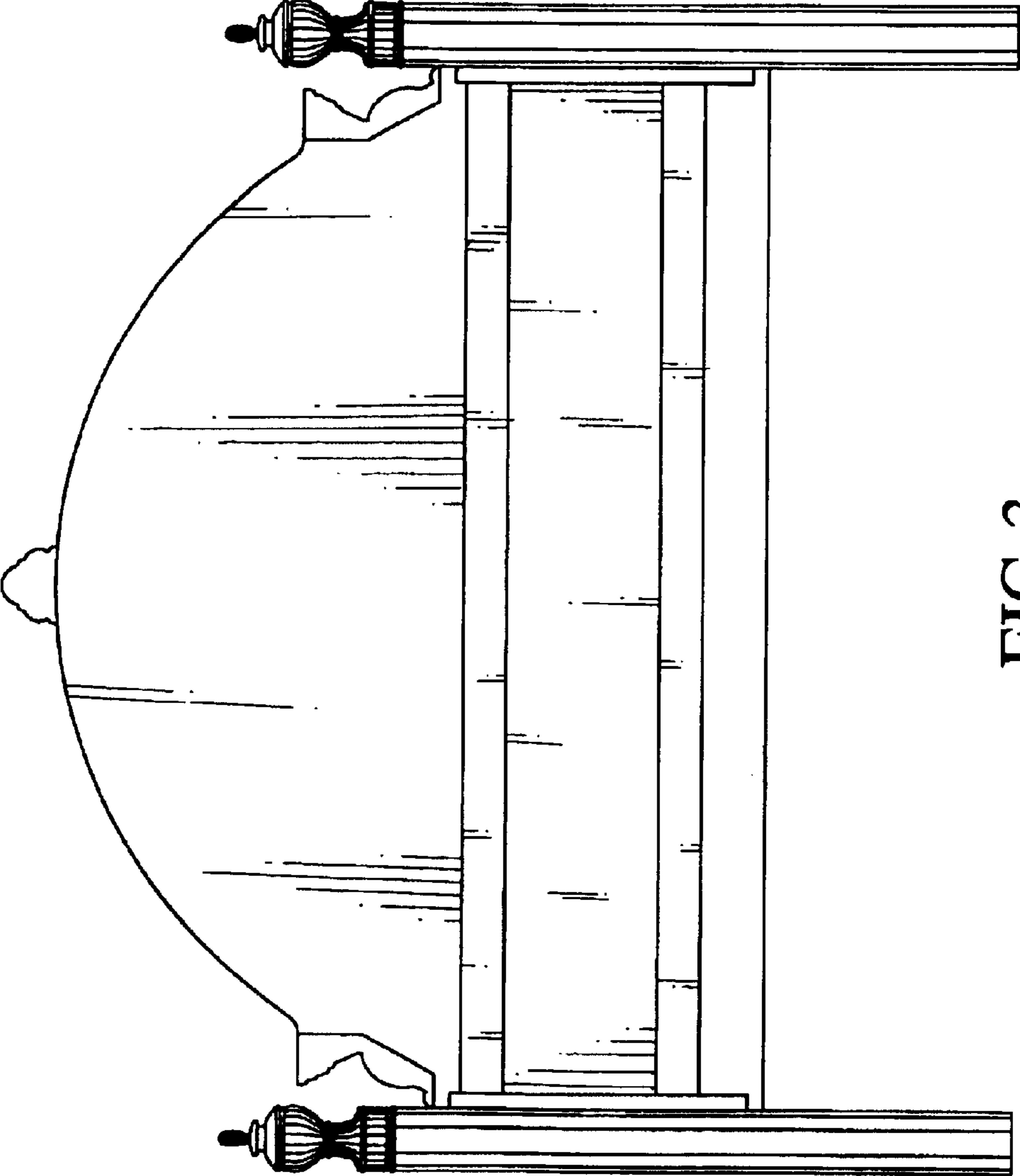


FIG. 3

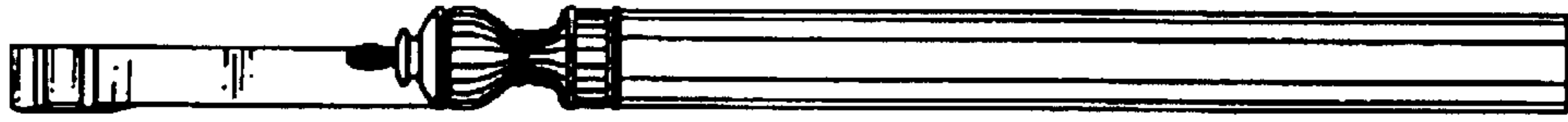


FIG. 5

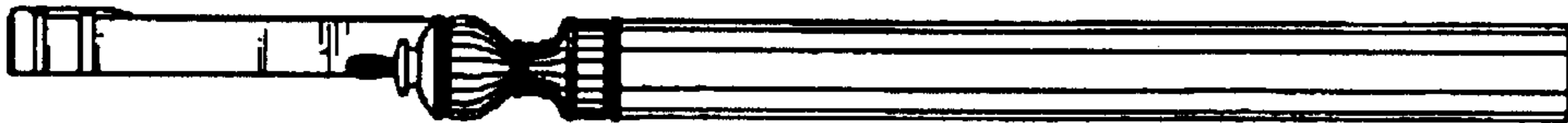


FIG. 4



FIG. 6



FIG. 7