

US00D499587S

(12) **United States Design Patent**  
**Cook**

(10) **Patent No.:** **US D499,587 S**  
(45) **Date of Patent:** **\*\* Dec. 14, 2004**

(54) **HEADBOARD**

(75) **Inventor:** **Eric A. Cook**, Onalaska, WI (US)

(73) **Assignee:** **Ashley Furniture Industries, Inc.**,  
Arcadia, WI (US)

(\*\*) **Term:** **14 Years**

(21) **Appl. No.:** **29/188,457**

(22) **Filed:** **Aug. 19, 2003**

(51) **LOC (7) Cl.** ..... **06-06**

(52) **U.S. Cl.** ..... **D6/505**

(58) **Field of Search** ..... D6/388, 389, 392-395,  
D6/505-508, 382-384; 5/53.1, 279.1, 280,  
281, 907, 2.1

(56) **References Cited**

**U.S. PATENT DOCUMENTS**

D177,467 S	*	4/1956	Frey	.....	D6/397
D231,881 S	*	6/1974	Carter	.....	D6/505
D279,439 S	*	7/1985	Offredi	.....	D6/393
D393,378 S		4/1998	Hutton		
D413,455 S		9/1999	Lacroix et al.		
D417,917 S		12/1999	Broudy		
D431,388 S		10/2000	Zorzetto		
D431,730 S		10/2000	Zorzetto		
D439,453 S		3/2001	Camfferman		

D451,696 S	12/2001	Boerner et al.
D466,716 S	12/2002	Tobin, Jr.
D475,863 S	6/2003	Berry et al.

\* cited by examiner

*Primary Examiner*—Janice E. Seeger

(74) *Attorney, Agent, or Firm*—Patterson, Thunte, Skaar & Christensen, P.A.

(57) **CLAIM**

I claim the ornamental design for headboard, as shown and described.

**DESCRIPTION**

FIG. 1 is a perspective view of a headboard according to an embodiment of the invention.

FIG. 2 is a front elevational view of a headboard according to an embodiment of the invention.

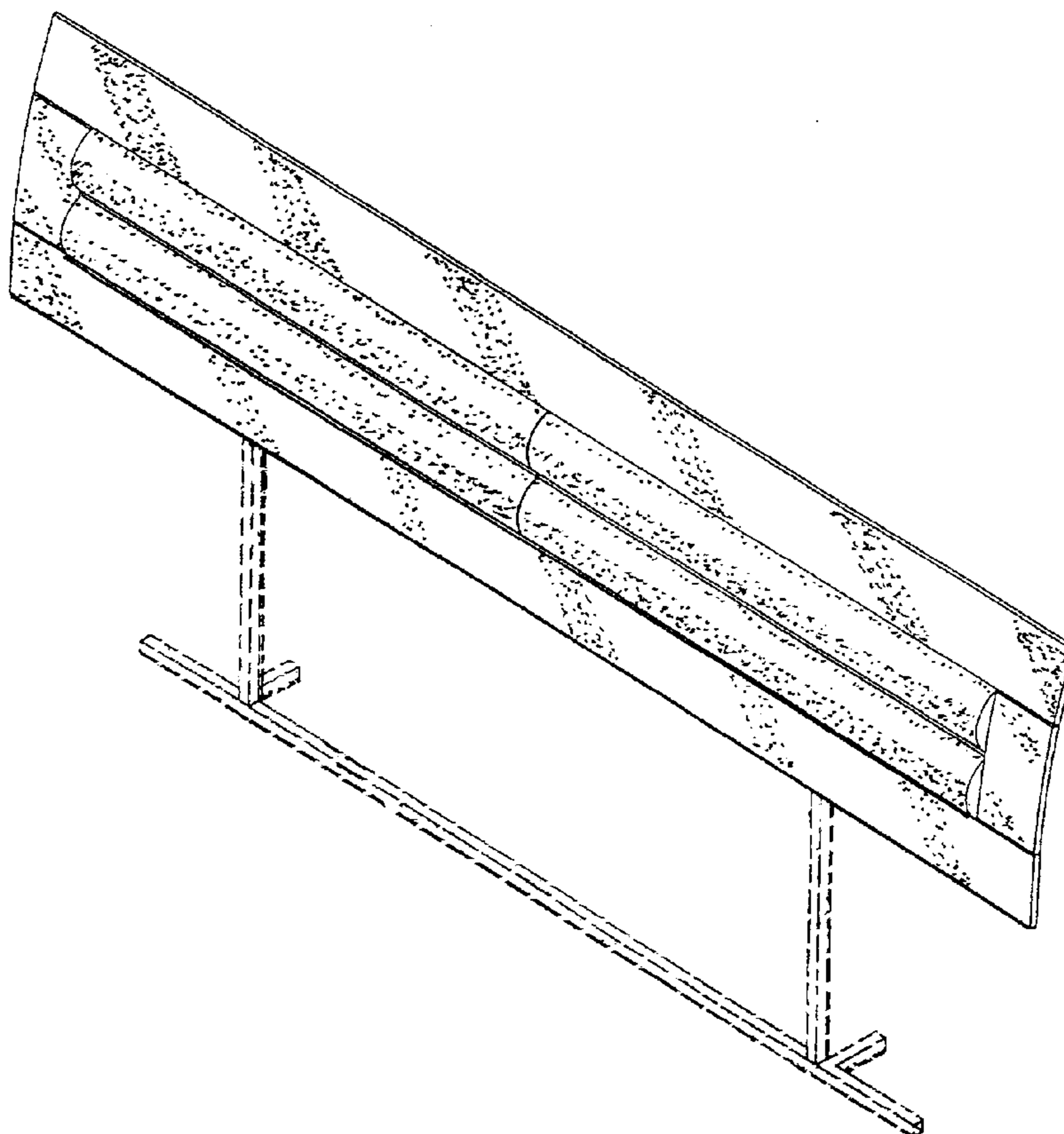
FIG. 3 is a top plan view of a headboard according to an embodiment of the invention; and,

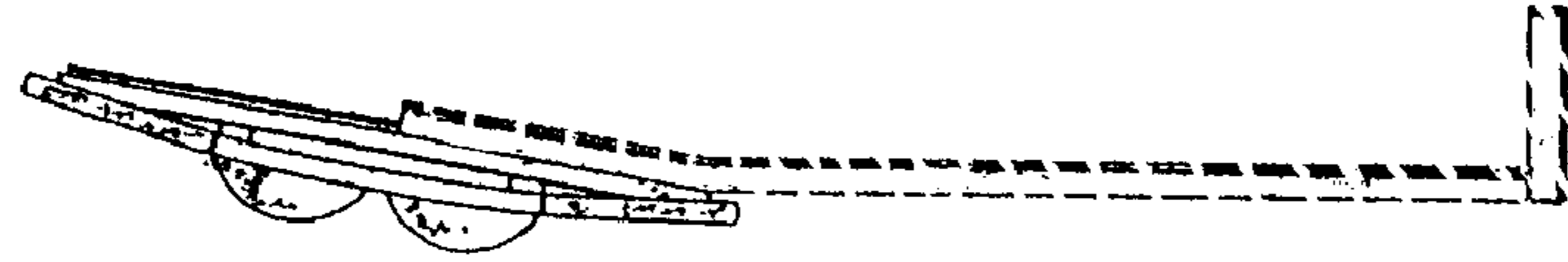
FIG. 4 is a side elevational view of a headboard according to an embodiment of the invention.

The areas shown in dashed lines are not part of the claimed invention.

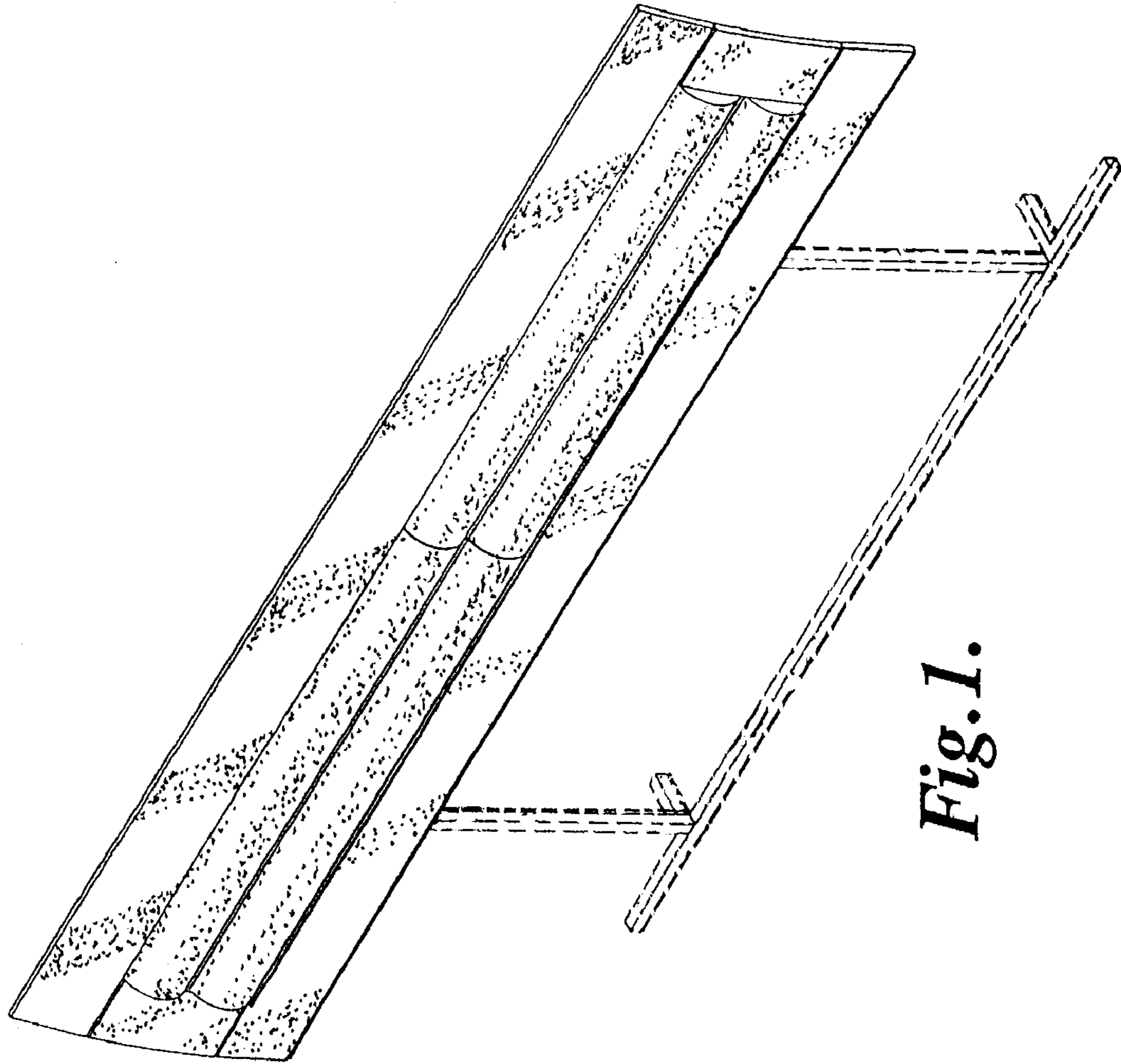
The rear of the headboard not shown is not part of the claimed design.

**1 Claim, 2 Drawing Sheets**





*Fig. 4.*



*Fig. 1.*

