

US00D499584S

(12) **United States Design Patent**
Domack et al.

(10) **Patent No.:** **US D499,584 S**
(45) **Date of Patent:** **** Dec. 14, 2004**

(54) **TABLE**

D254,641 S * 4/1980 Thorpe D6/487
D371,260 S * 7/1996 Walters et al. D6/480

(75) Inventors: **Randy D. Domack**, Trempealeau, WI (US); **Terry A. Everson**, Blair, WI (US)

* cited by examiner

(73) Assignee: **Ashley Furniture Industries, Inc.**, Arcadia, WI (US)

Primary Examiner—Janice Seeger
(74) *Attorney, Agent, or Firm*—Patterson, Thuente, Skaar & Christensen, P.A.

(**) Term: **14 Years**

(57) **CLAIM**

(21) Appl. No.: **29/189,501**

We claim the ornamental design for table, as shown and described.

(22) Filed: **Sep. 4, 2003**

DESCRIPTION

(51) **LOC (7) Cl.** **06-03**

FIG. 1 is a perspective view of a table according to an embodiment of the invention.

(52) **U.S. Cl.** **D6/480**

FIG. 2 is an elevational view of a table according to an embodiment of the invention. Each elevational view from the front, back, and sides being the same; and,

(58) **Field of Search** D6/480–489, 495, D6/499, 497, 451, 429, 43; 108/150, 153.1, 155, 156, 157.1, 161; 248/188, 188.1, 188.8

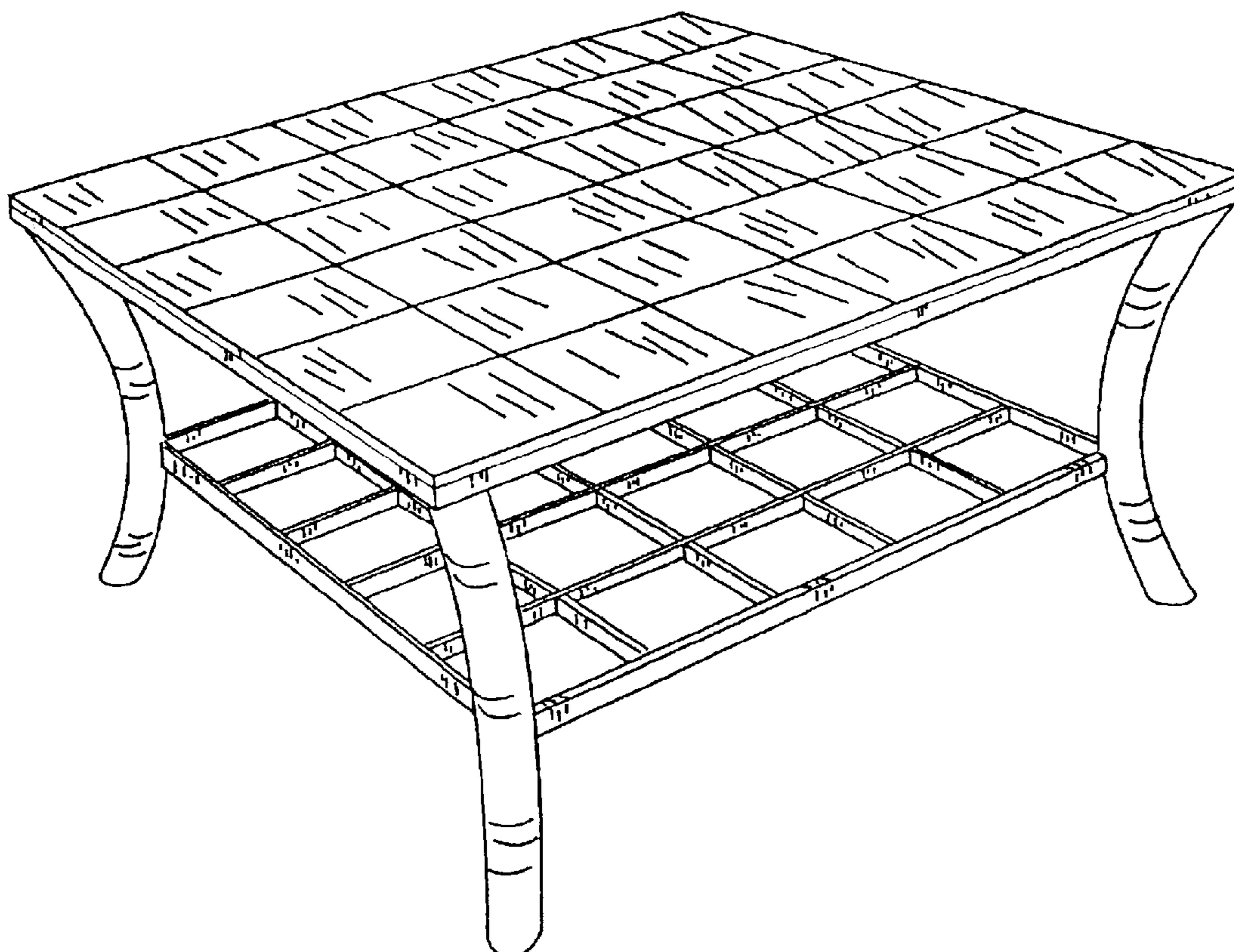
FIG. 3 is a top plan view of a table according to an embodiment of the invention.

(56) **References Cited**

U.S. PATENT DOCUMENTS

D182,911 S * 5/1958 Lubberts et al. D6/477

1 Claim, 2 Drawing Sheets



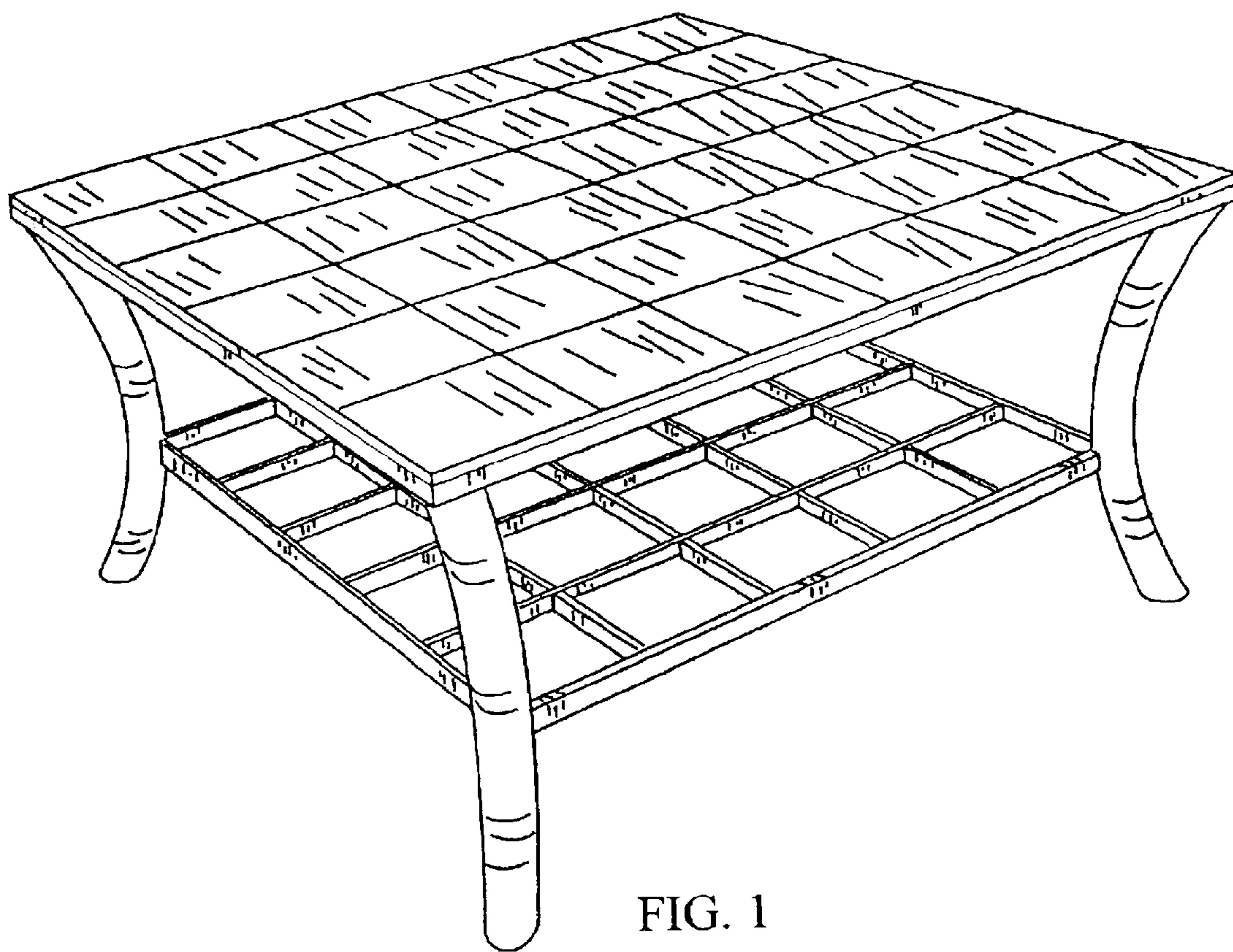


FIG. 1

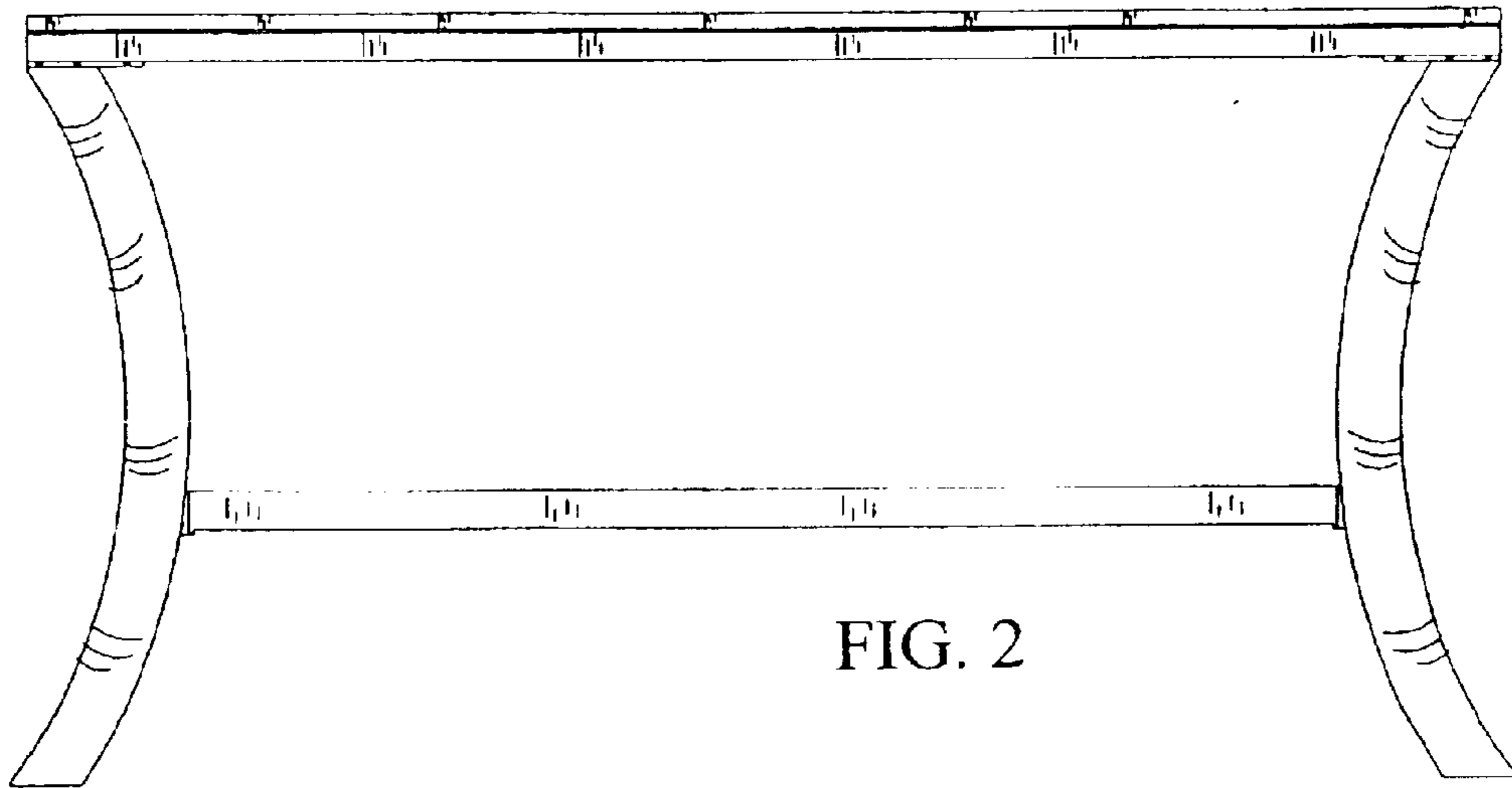


FIG. 2

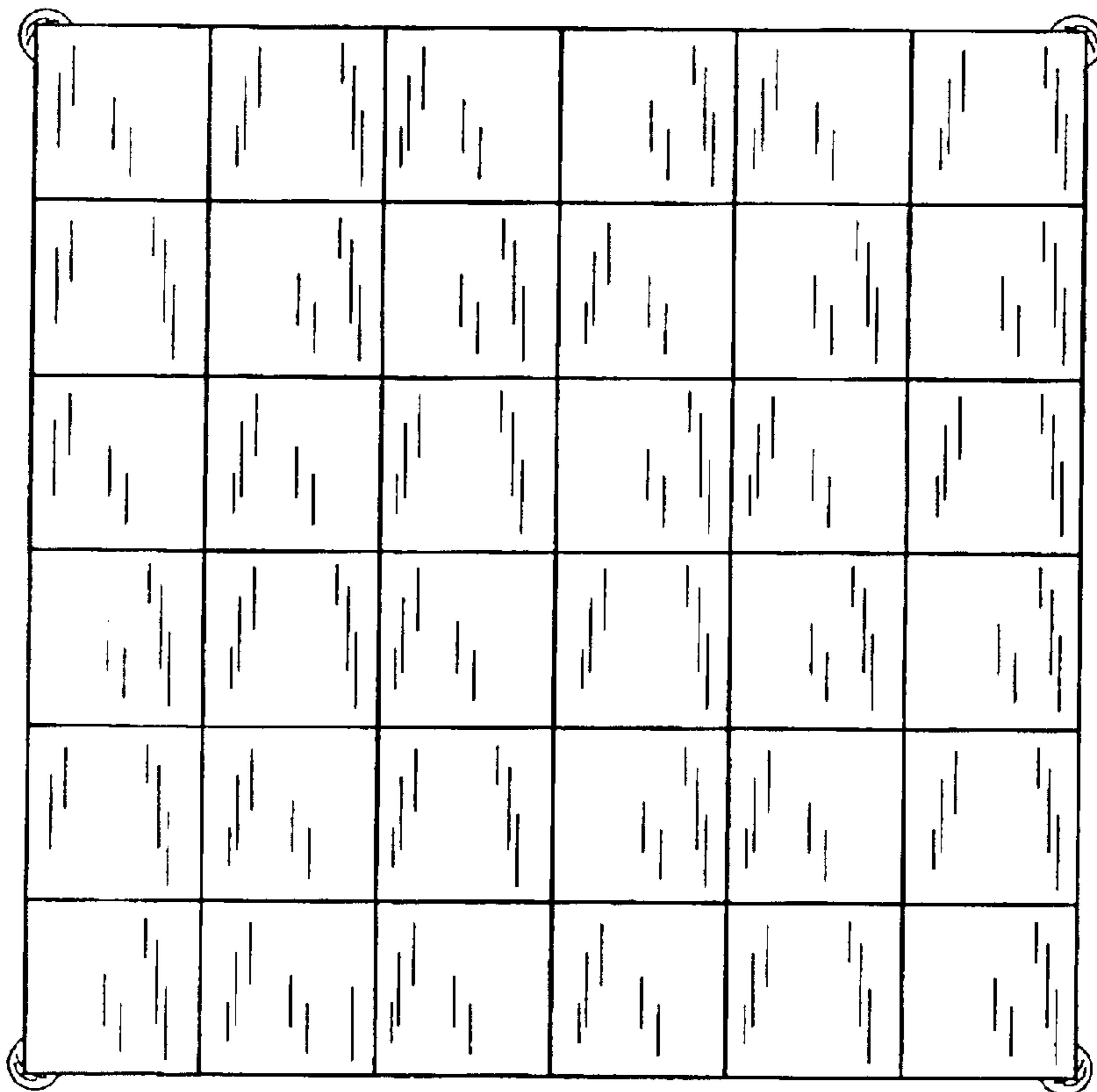


FIG. 3