



US00D499578S

(12) **United States Design Patent** (10) **Patent No.:** **US D499,578 S**  
**Buckmaster et al.** (45) **Date of Patent:** **\*\* \*Dec. 14, 2004**

(54) **BOAT SUNGLASS DISPLAY WITH HEADER AND STORAGE BOX**

*Primary Examiner*—Cathron C. Brooks

(76) Inventors: **David Kent Buckmaster**, 9765 Fred Dr., Northglenn, CO (US) 80260;  
**Yu-Kwang Fernando Chu**, 1327 W. 84<sup>th</sup> Ave., Apt 1821, Denver, CO (US) 80260; **Phillip Gordon Levy**, 338 Parkview Ave., Goldon, CO (US) 80401; **Wei Jing**, 149 Mohawk Cir., Superior, CO (US) 80027

(57) **CLAIM**

The ornamental design for the boat sunglasses display with header and storage box, as shown and described.

(\*) Notice: This patent is subject to a terminal disclaimer.

(\*\*) Term: **14 Years**

(21) Appl. No.: **29/144,660**

(22) Filed: **Jul. 9, 2001**

(51) **LOC (7) Cl.** ..... **06-04**

(52) **U.S. Cl.** ..... **D6/437; D6/434; D6/450**

(58) **Field of Search** ..... **D6/450, 468, 397; D12/302; 312/204**

**DESCRIPTION**

FIG. 1 is a Perspective View of the boat sunglasses display with the storage drawer shown in the opened position.

FIG. 2 is another perspective view of FIG. 1 with the storage drawer shown in the closed position.

FIG. 3 is the front view of the boat display shown in FIG. 1

FIG. 4 is the back view of the boat display as shown in FIG. 1.

FIG. 5 is the left side view of the boat sunglasses display as shown in FIG. 1, the right side is a mirror image thereof.

FIG. 6 is the left side view of the boat sunglasses display as shown in FIG. 2, the right side is a mirror image thereof.

FIG. 7 is the top view of the boat sunglasses display as shown in FIG. 1.

FIG. 8 is the top view of the boat sunglasses display as shown in FIG. 2.

FIG. 9 is the bottom view of the boat sunglasses display as shown in FIG. 1; and,

FIG. 10 is the bottom view of the boat sunglasses display as shown in FIG. 2.

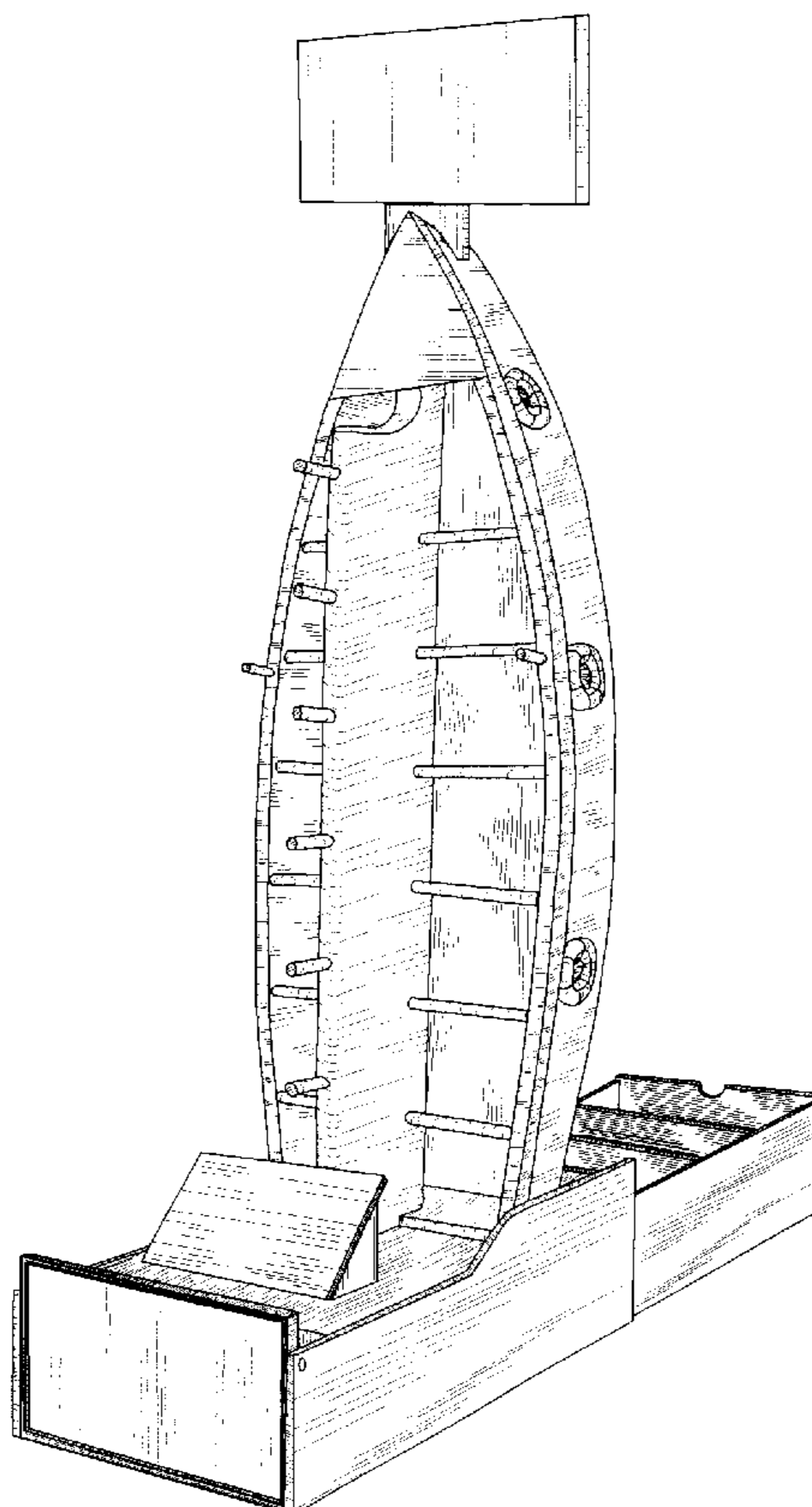
(56) **References Cited**

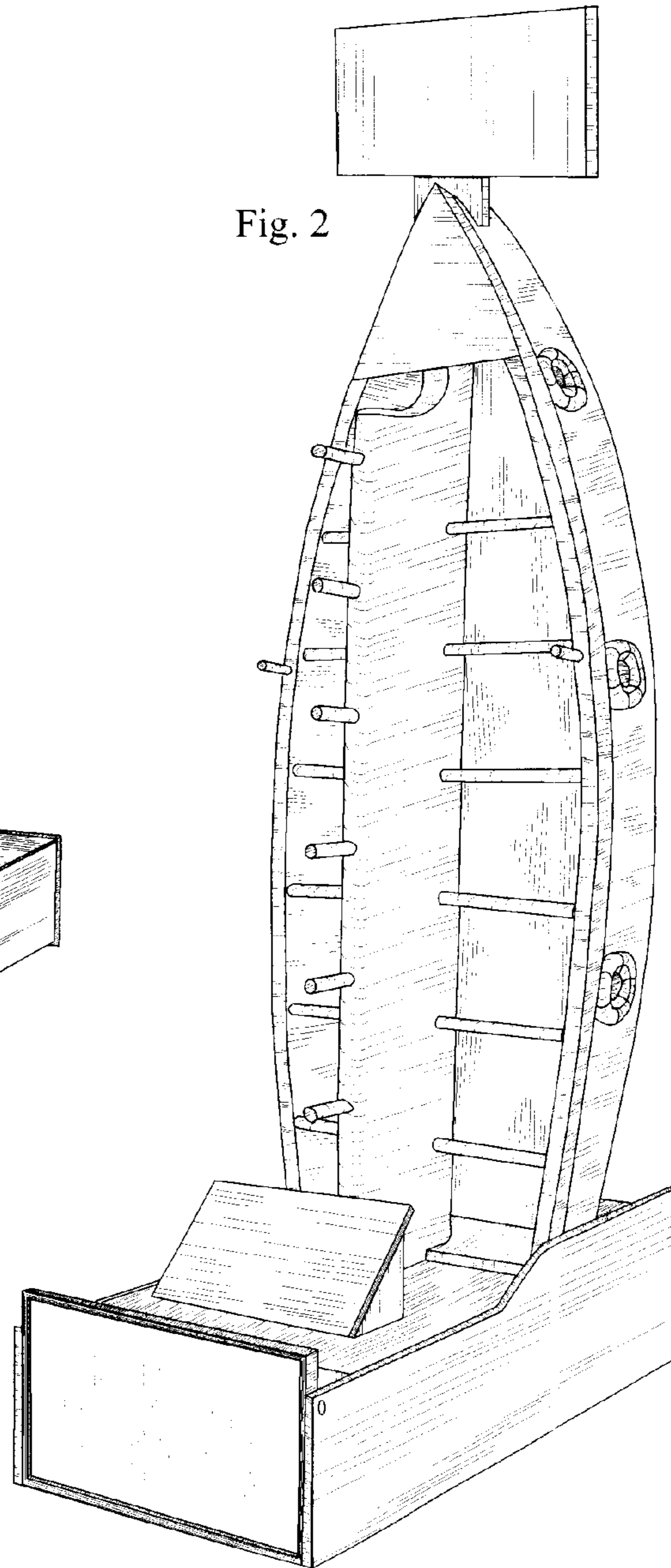
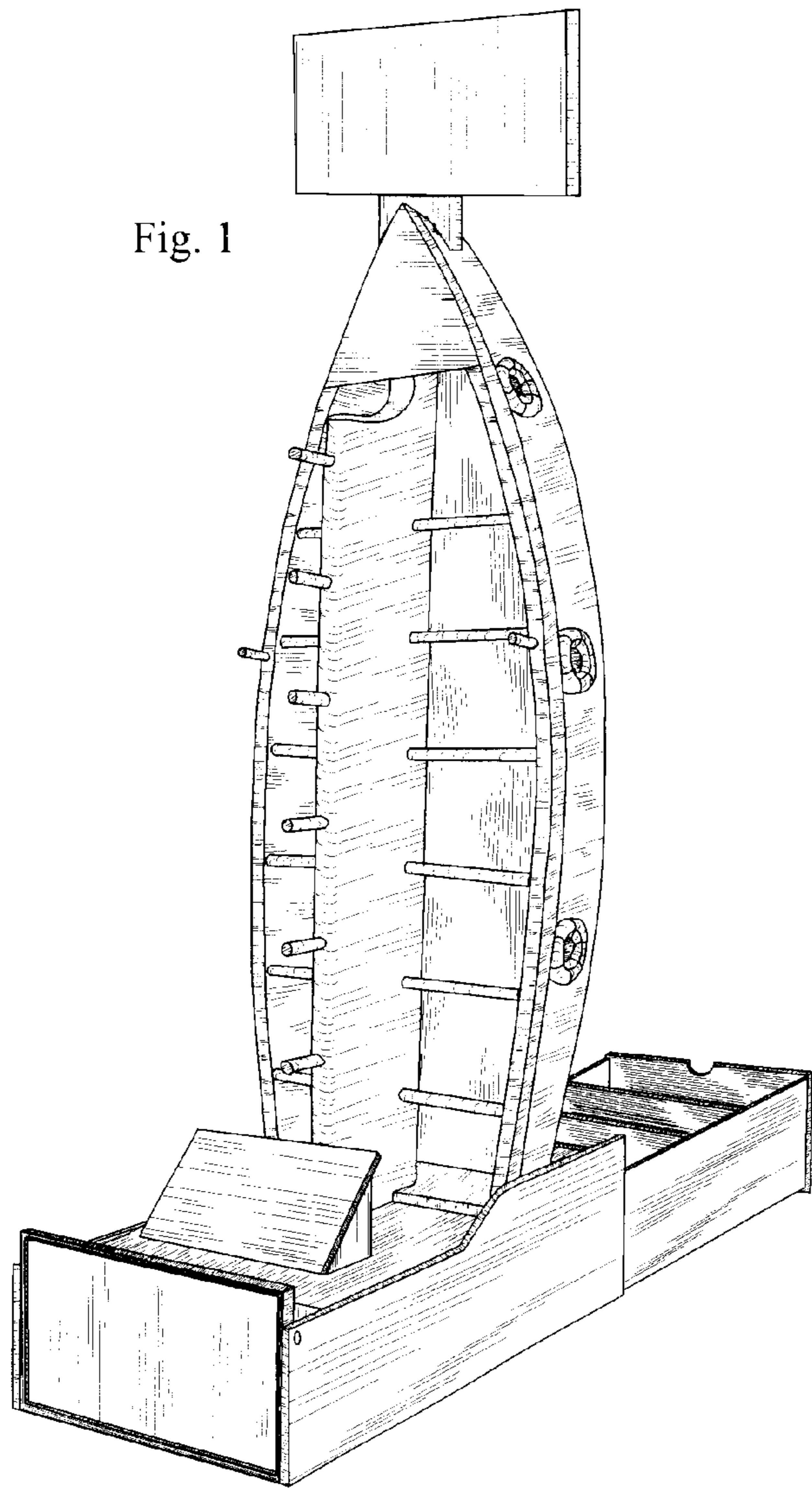
**U.S. PATENT DOCUMENTS**

- D219,938 S \* 2/1971 Erickson ..... D12/302  
D338,284 S \* 8/1993 Barreto, III et al. ... D12/302 X  
D383,332 S \* 9/1997 Schneider ..... D6/450

\* cited by examiner

**1 Claim, 3 Drawing Sheets**





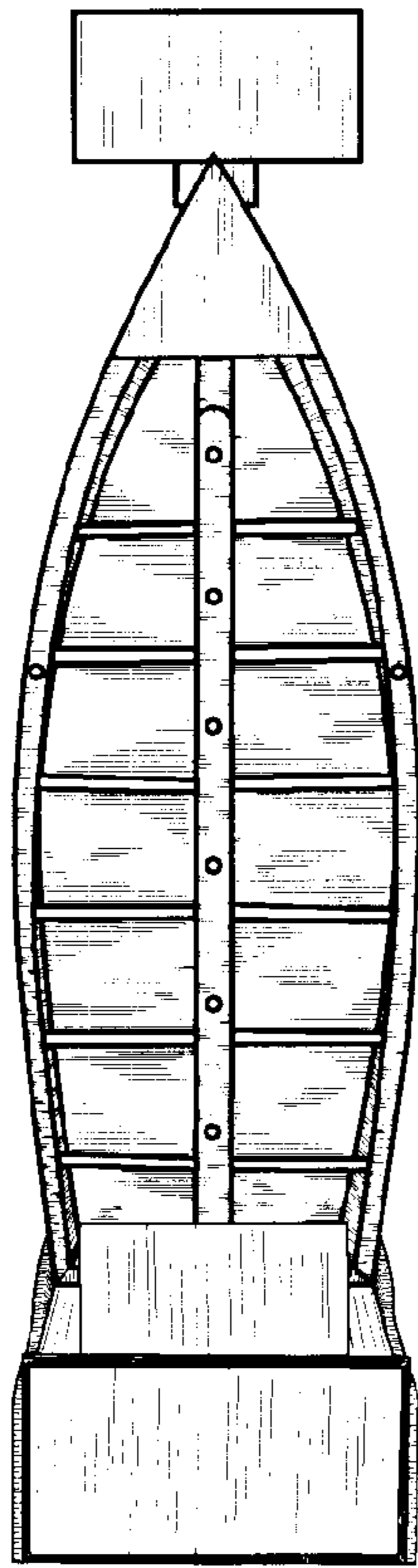


Fig. 3

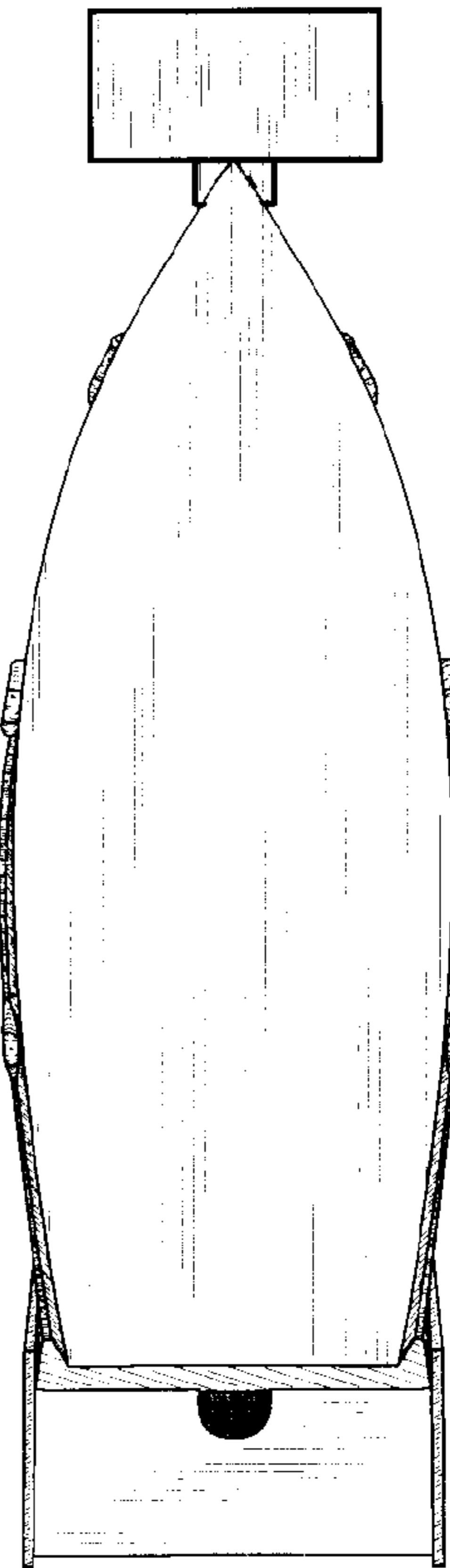


Fig. 4

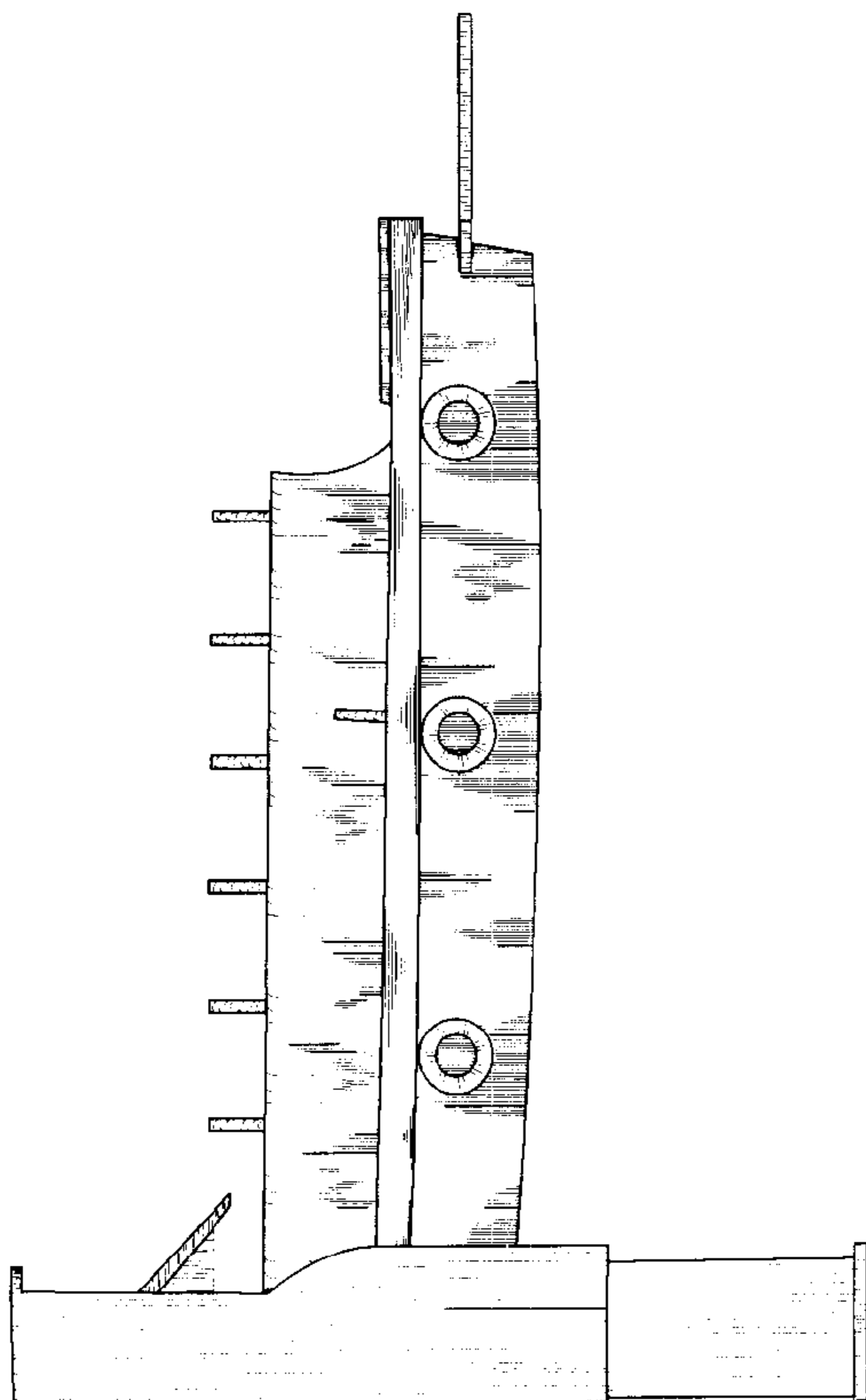


Fig. 5

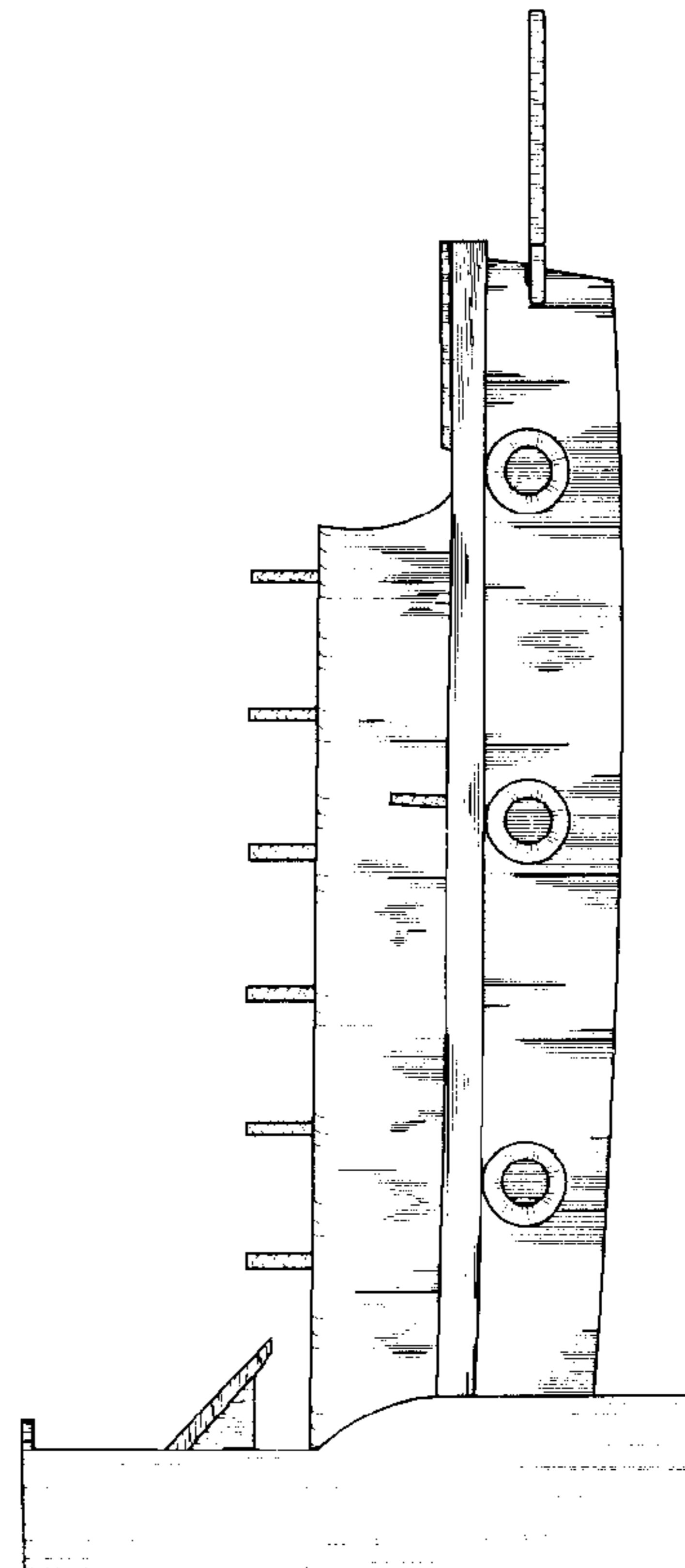


Fig. 6

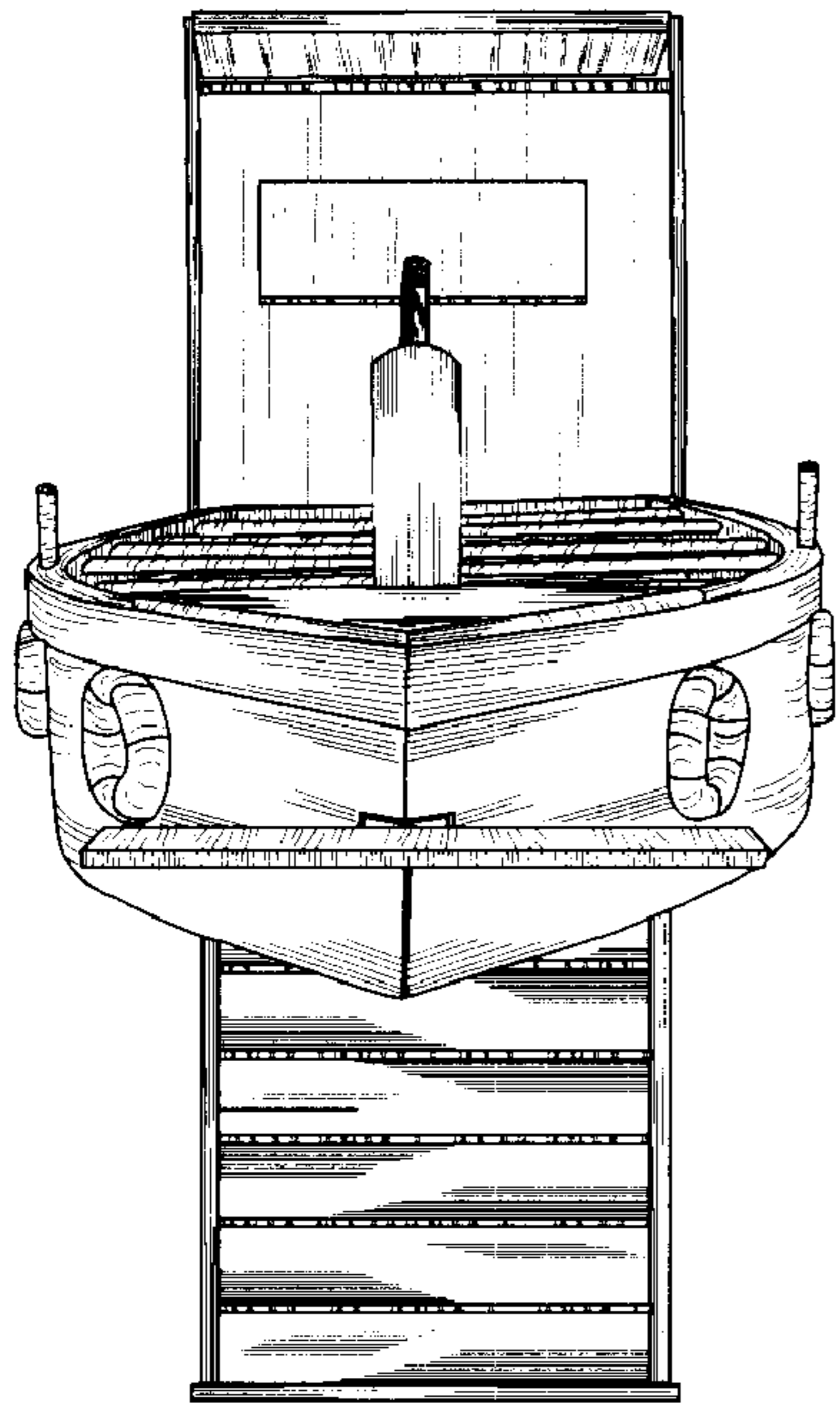


Fig. 7

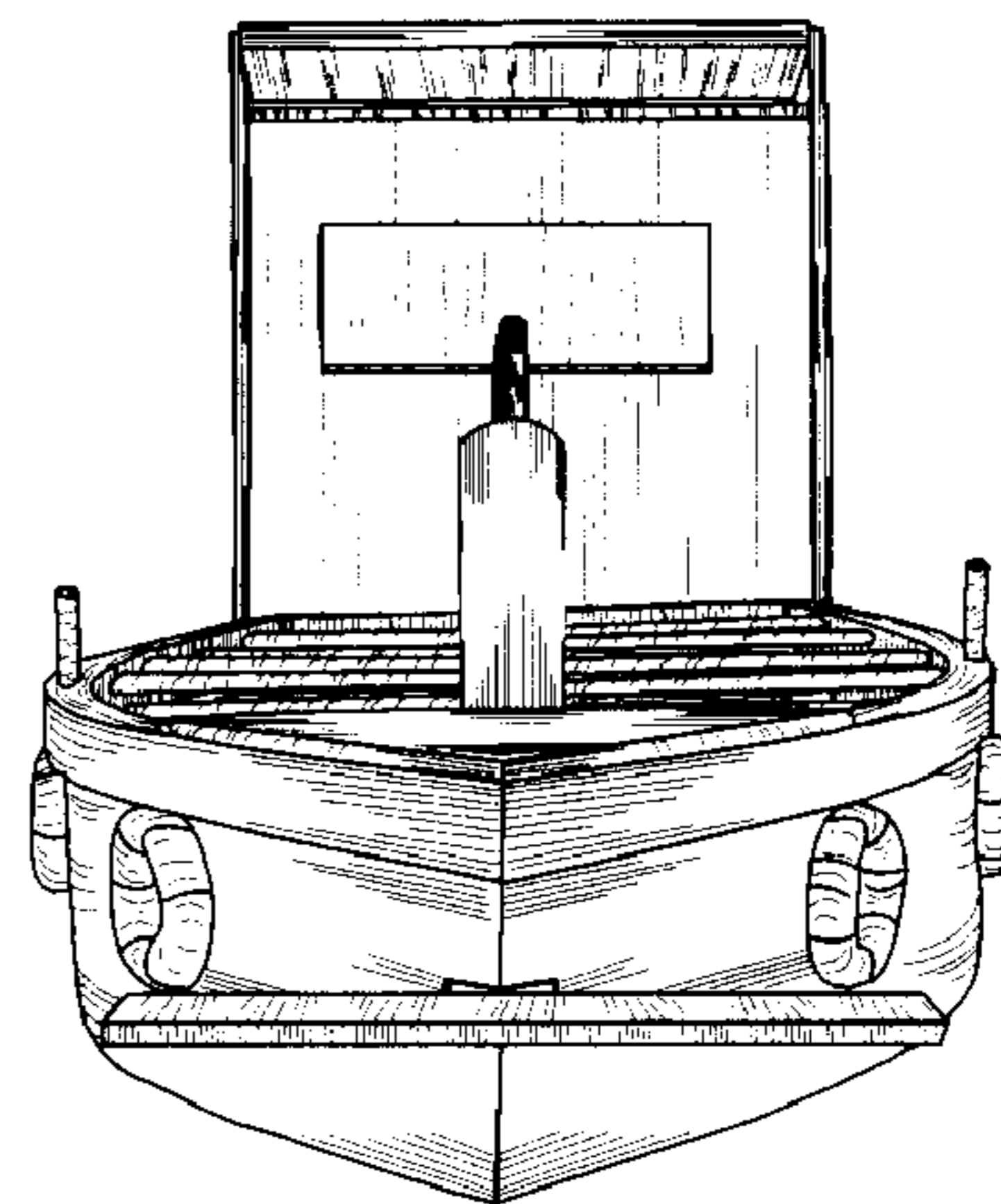


Fig. 8

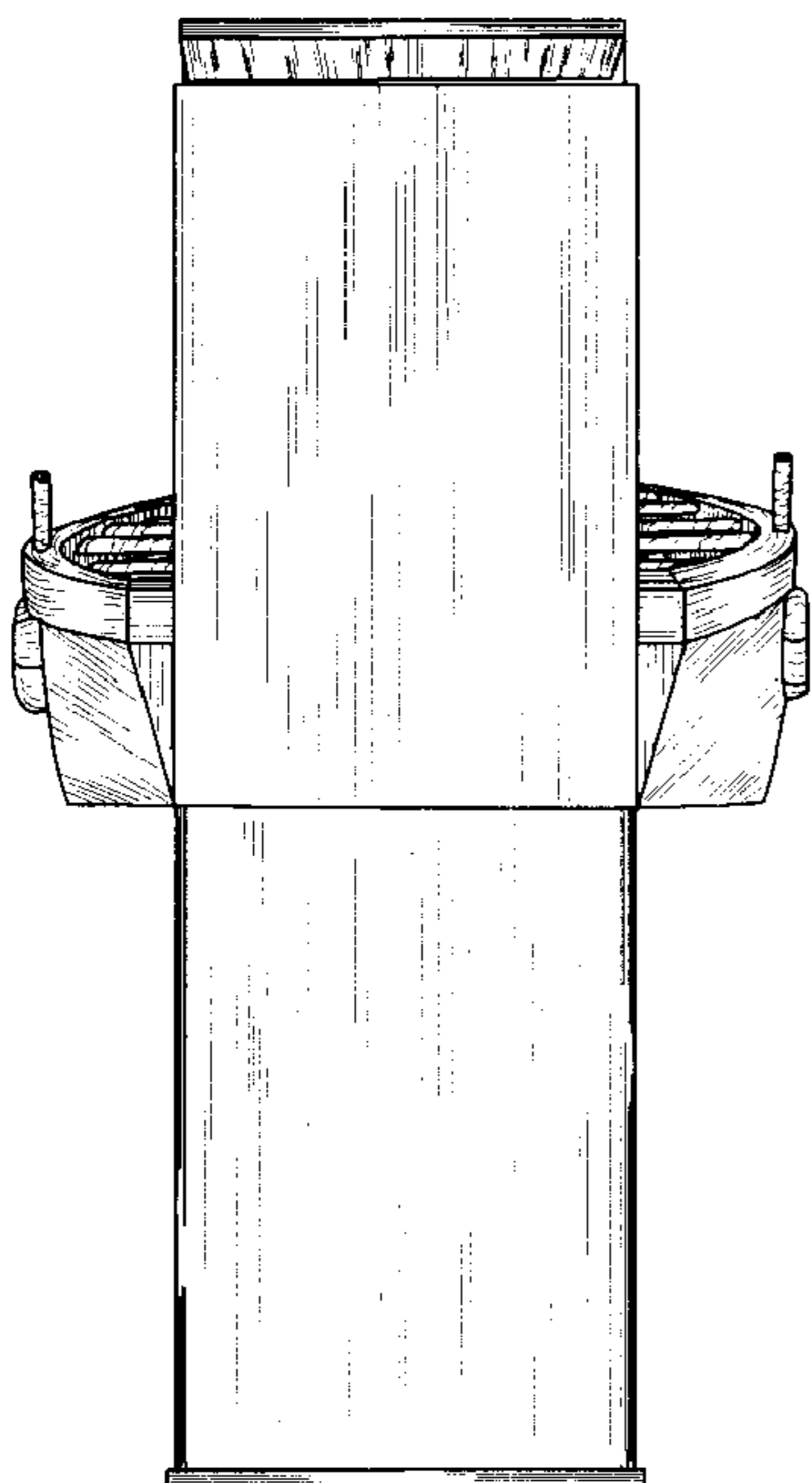


Fig. 9

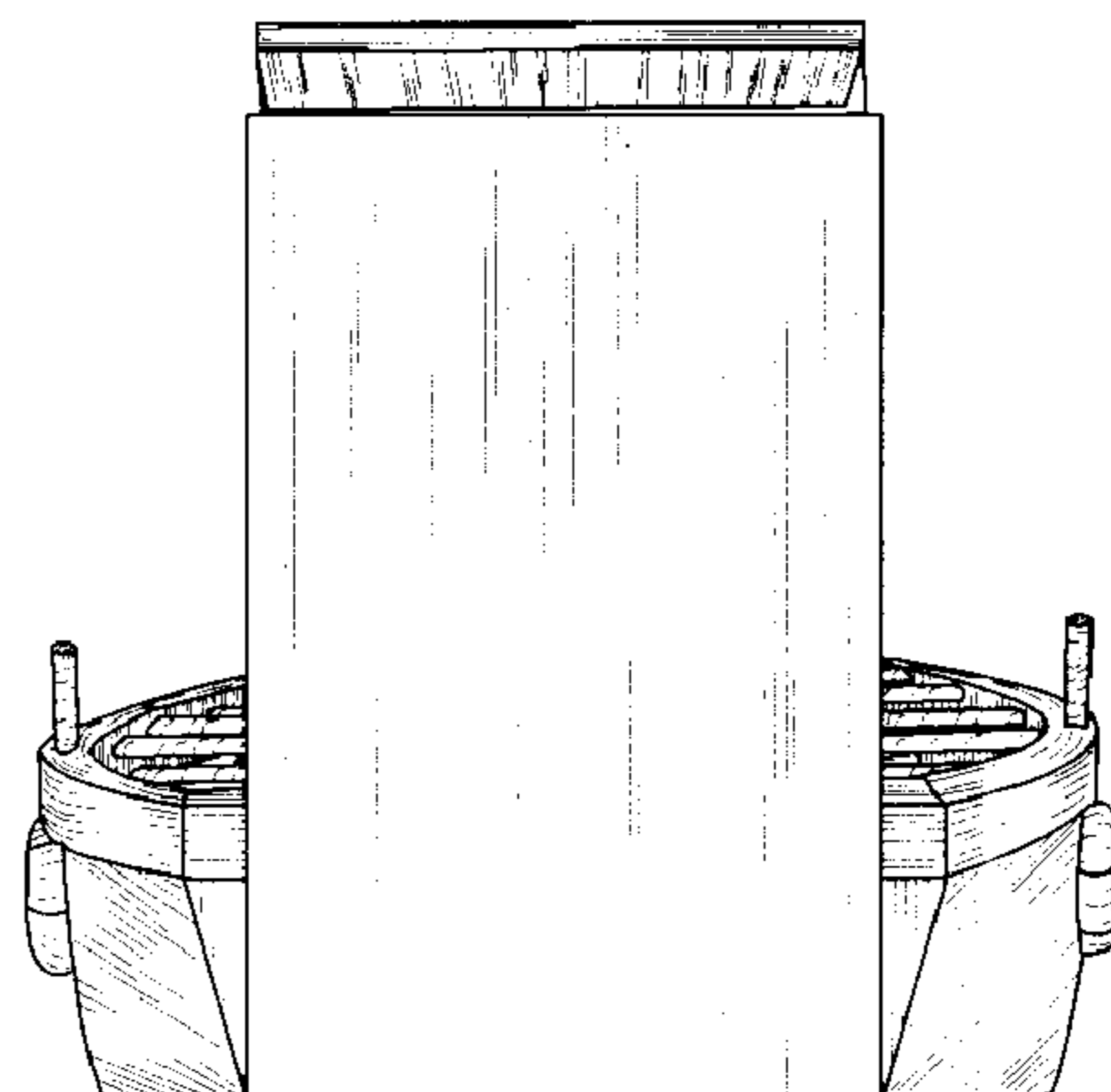


Fig. 10