



US00D499577S

(12) **United States Design Patent** (10) **Patent No.:** **US D499,577 S**  
**Willy** (45) **Date of Patent:** **\*\* Dec. 14, 2004**

(54) **READY-TO-ASSEMBLE ARTICLE OF FURNITURE**

(76) Inventor: **Scott Willy**, 1870 E. 106<sup>th</sup> St., Carmel, IN (US) 46032

(\*\*) Term: **14 Years**

(21) Appl. No.: **29/190,076**

(22) Filed: **Sep. 15, 2003**

**Related U.S. Application Data**

(63) Continuation-in-part of application No. 10/199,875, filed on Jul. 19, 2002, now Pat. No. 6,619,749.

(51) **LOC (7) Cl.** ..... **06-04**

(52) **U.S. Cl.** ..... **D6/436; D6/479**

(58) **Field of Search** ..... D6/436-439, 441, D6/444-448, 470, 477-479; 312/196, 204, 224, 279

(56) **References Cited**

**U.S. PATENT DOCUMENTS**

D248,808 S	*	8/1978	Offredi	.....	D6/438
D249,001 S	*	8/1978	Offredi	.....	D6/438
D249,215 S	*	9/1978	Offredi	.....	D6/438
D255,194 S	*	6/1980	Cohen et al.	.....	D6/479
D284,629 S	*	7/1986	Hamami	.....	D6/445
D293,864 S	*	1/1988	Rosen	.....	D6/446

\* cited by examiner

*Primary Examiner*—Cathron Brooks

(74) *Attorney, Agent, or Firm*—Maginot, Moore & Beck

(57) **CLAIM**

The ornamental design for ready-to-assemble article of furniture, as shown and described.

**DESCRIPTION**

FIG. 1 is a perspective view of one embodiment of a ready-to assemble article of furniture according to the present invention, configured as an upright shelving unit.

FIG. 2 is a front elevational view of the embodiment shown in FIG. 1.

FIG. 3 is a back elevational view of the embodiment shown in FIG. 1.

FIG. 4 is a side elevational view of the embodiment shown in FIG. 1, with the opposite side view being a mirror image.

FIG. 5 is a bottom elevational view of the embodiment shown in FIG. 1.

FIG. 6 is a top elevational view of the embodiment shown in FIG. 1.

FIG. 7 is a perspective view of another embodiment of a ready-to assemble article of furniture according to the present invention, configured as an upright shelving unit.

FIG. 8 is a front elevational view of the embodiment shown in FIG. 7.

FIG. 9 is a back elevational view of the embodiment shown in FIG. 7.

FIG. 10 is a side elevational view of the embodiment shown in FIG. 7, with the opposite side view being a mirror image.

FIG. 11 is a bottom elevational view of the embodiment shown in FIG. 7.

FIG. 12 is a top elevational view of the embodiment shown in FIG. 7.

FIG. 13 is a perspective view of a further embodiment of a ready-to assemble article of furniture according to the present invention, configured as a horizontal shelving unit.

FIG. 14 is a front elevational view of the embodiment shown in FIG. 13.

FIG. 15 is a back elevational view of the embodiment shown in FIG. 13.

FIG. 16 is a side elevational view of the embodiment shown in FIG. 13, with the opposite side view being a mirror image.

FIG. 17 is a bottom elevational view of the embodiment shown in FIG. 13; and,

FIG. 18 is a top elevational view of the embodiment shown in FIG. 13.

**1 Claim, 9 Drawing Sheets**

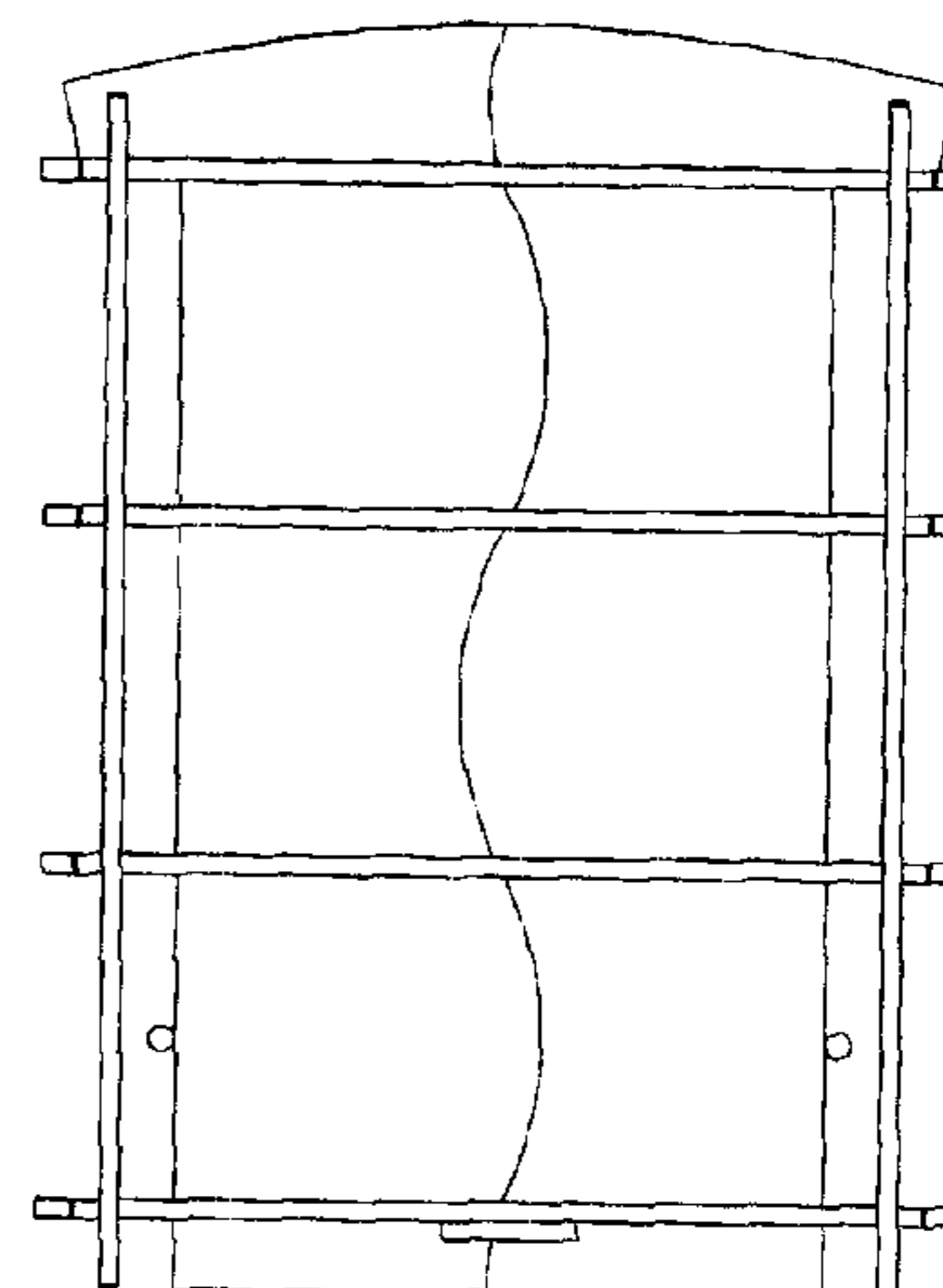
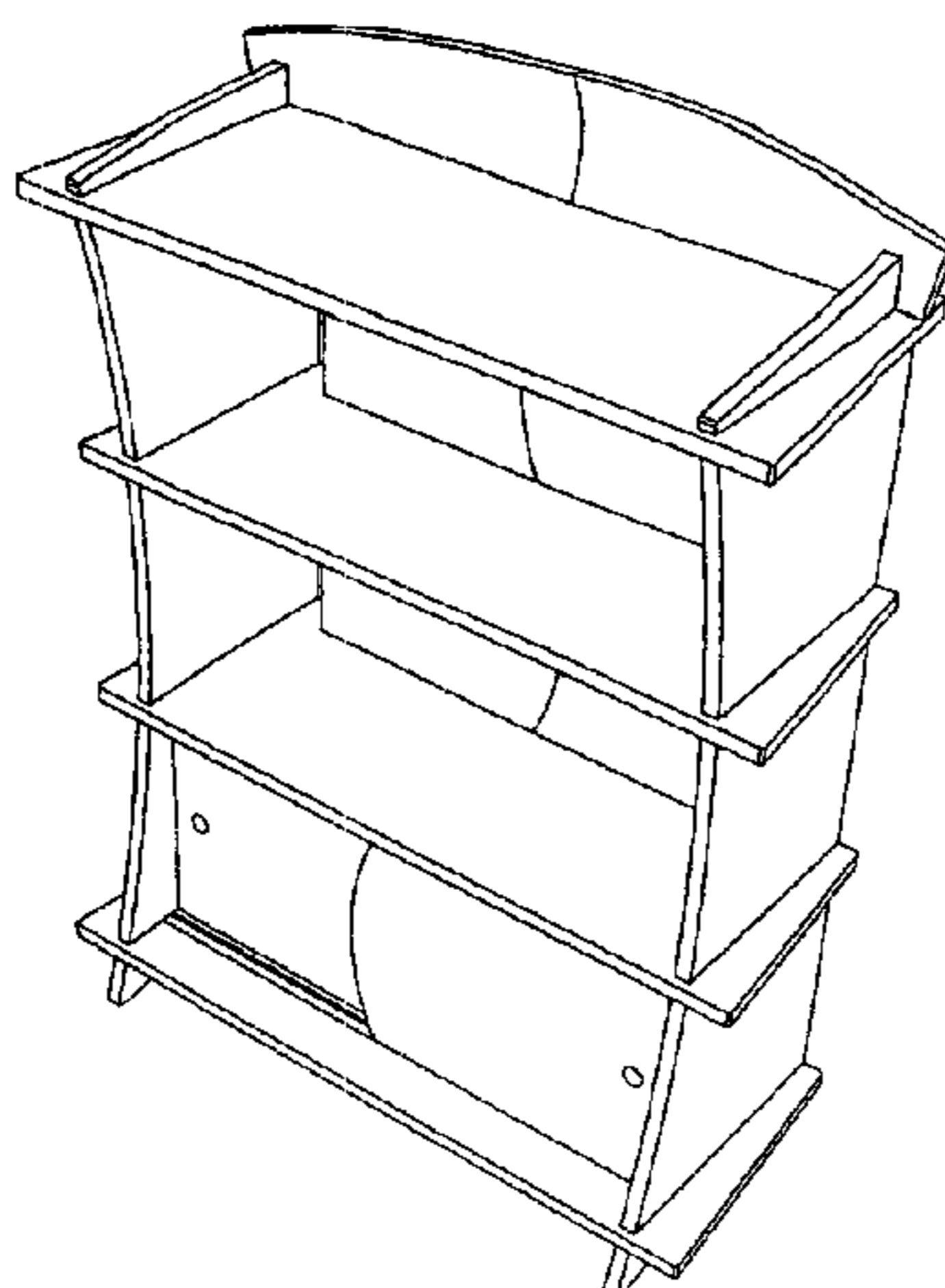
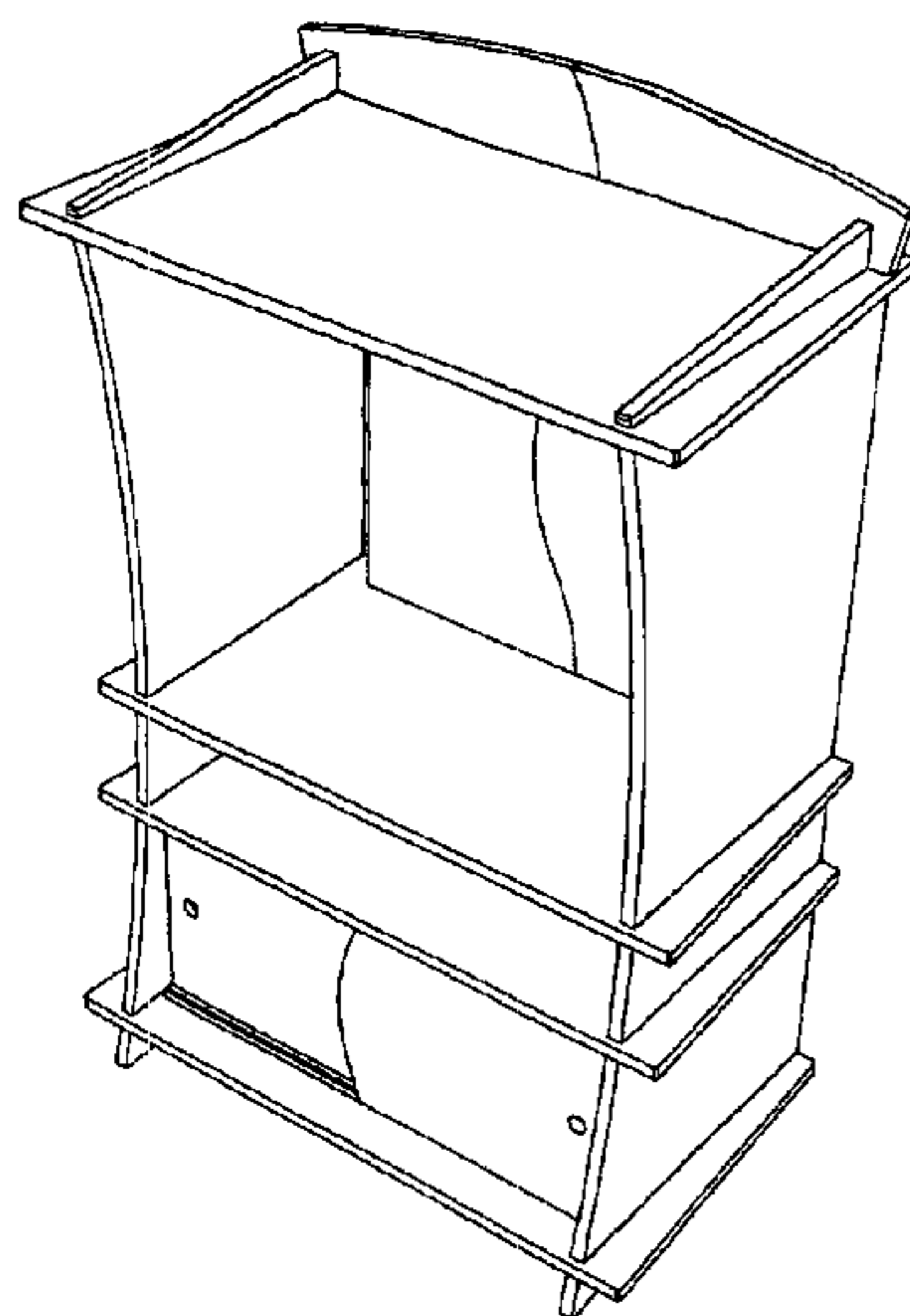


FIG. 1

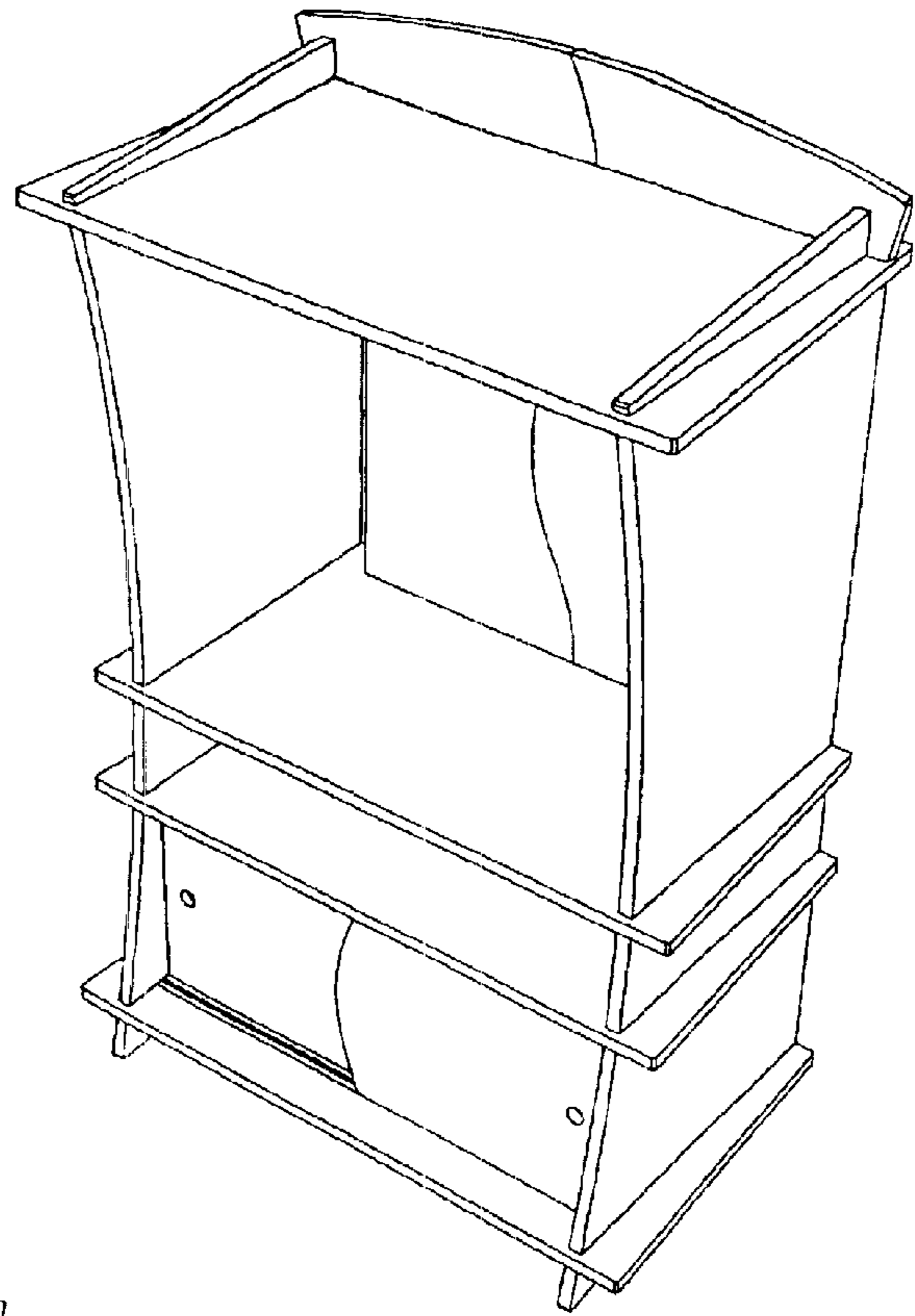


FIG. 2

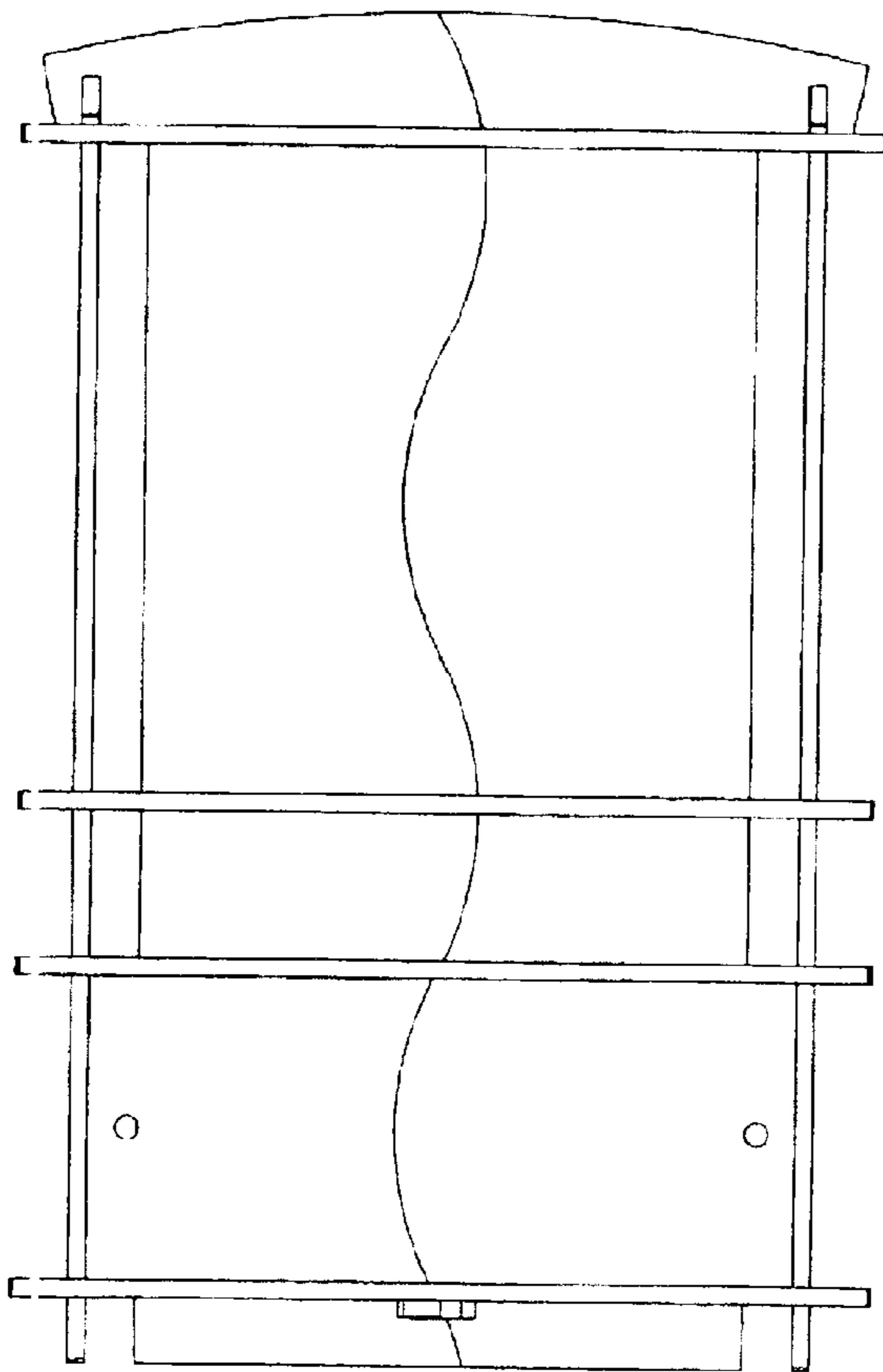


FIG. 3

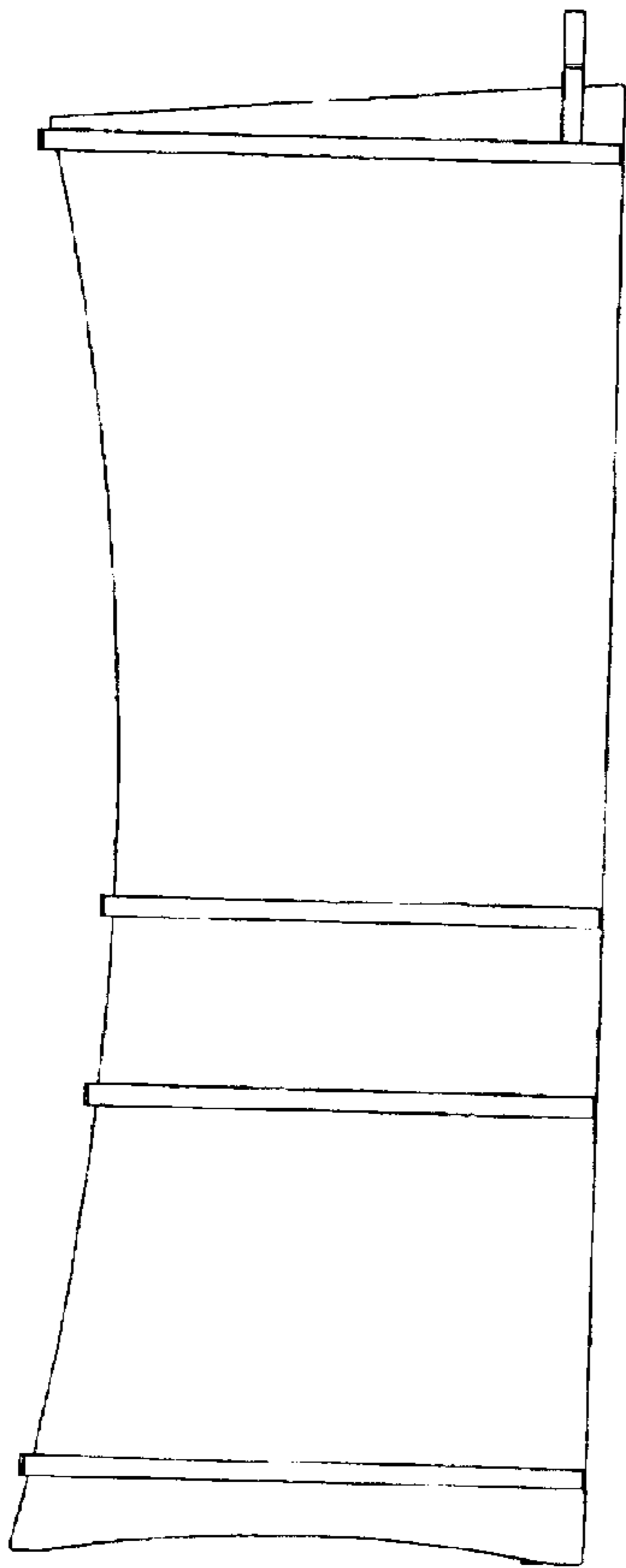
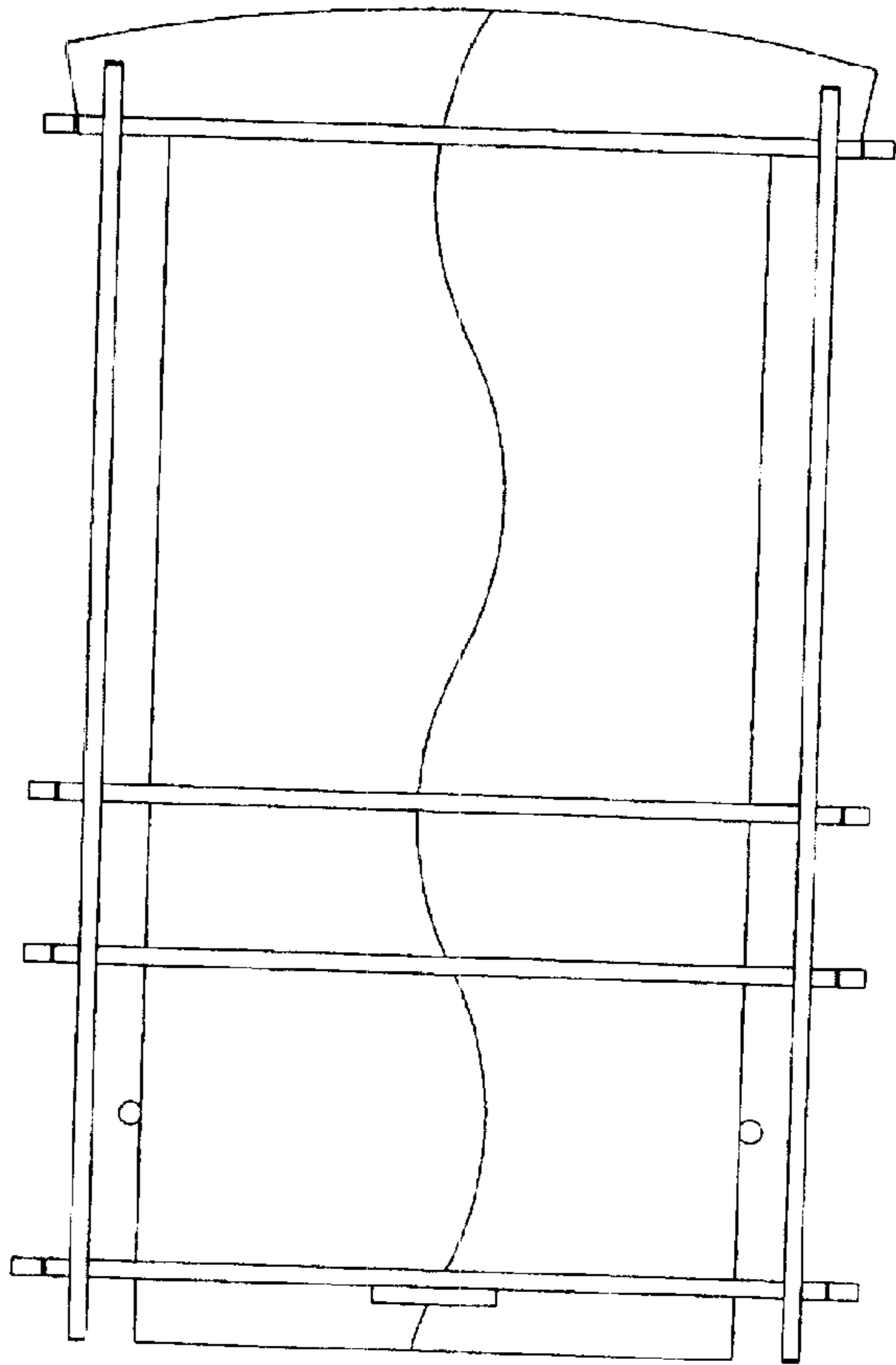


FIG. 4

FIG. 5

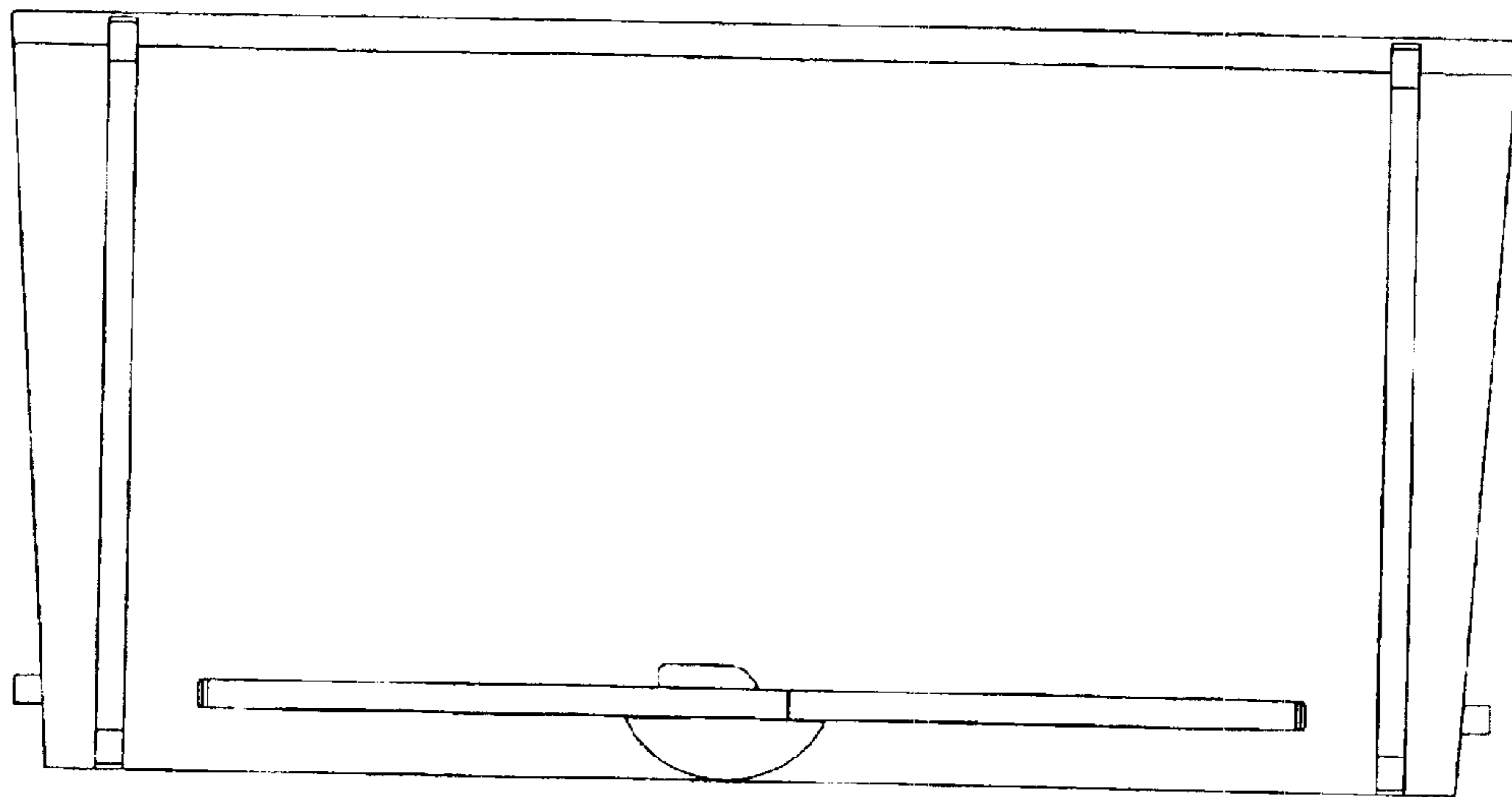
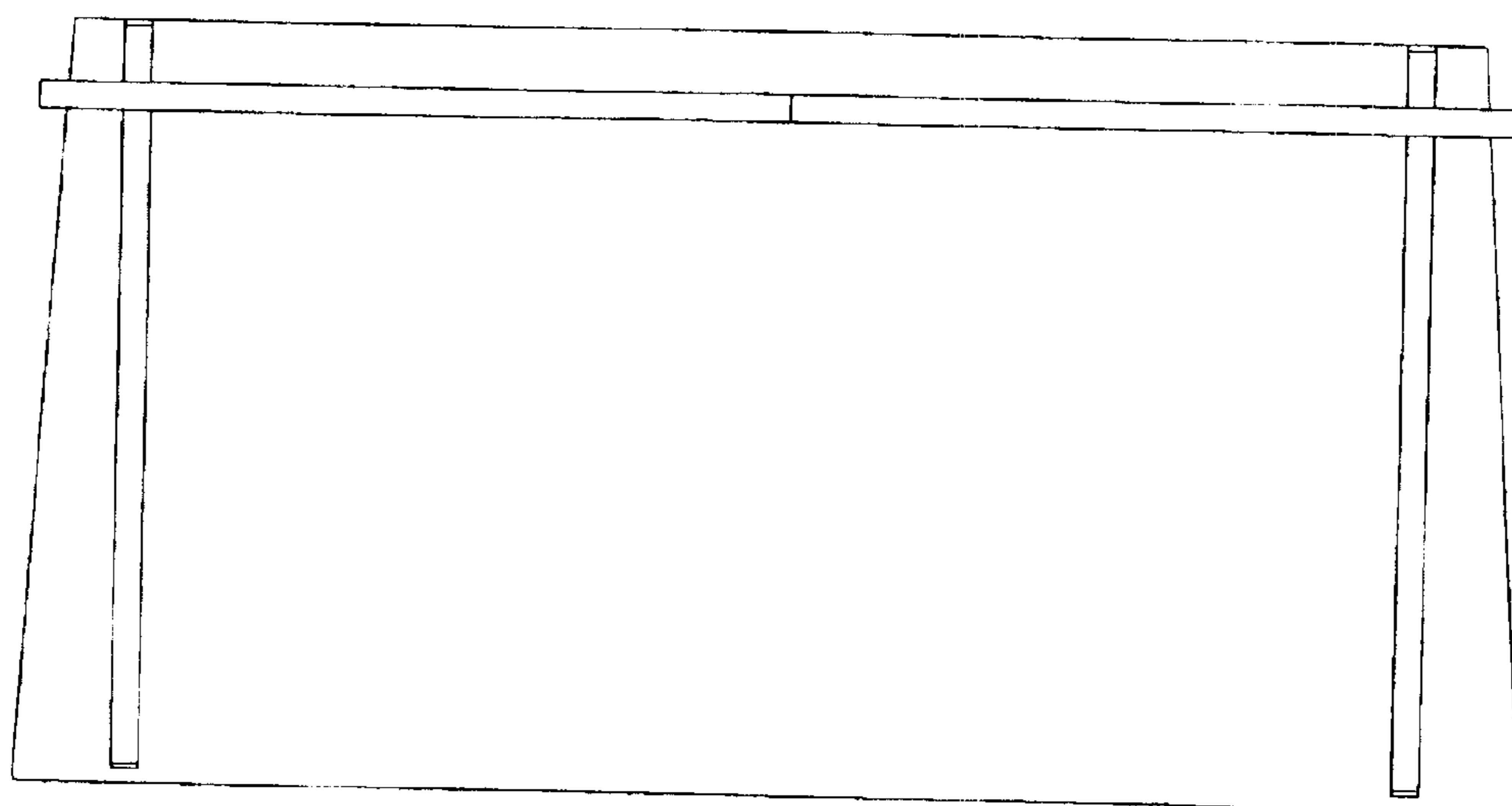


FIG. 6



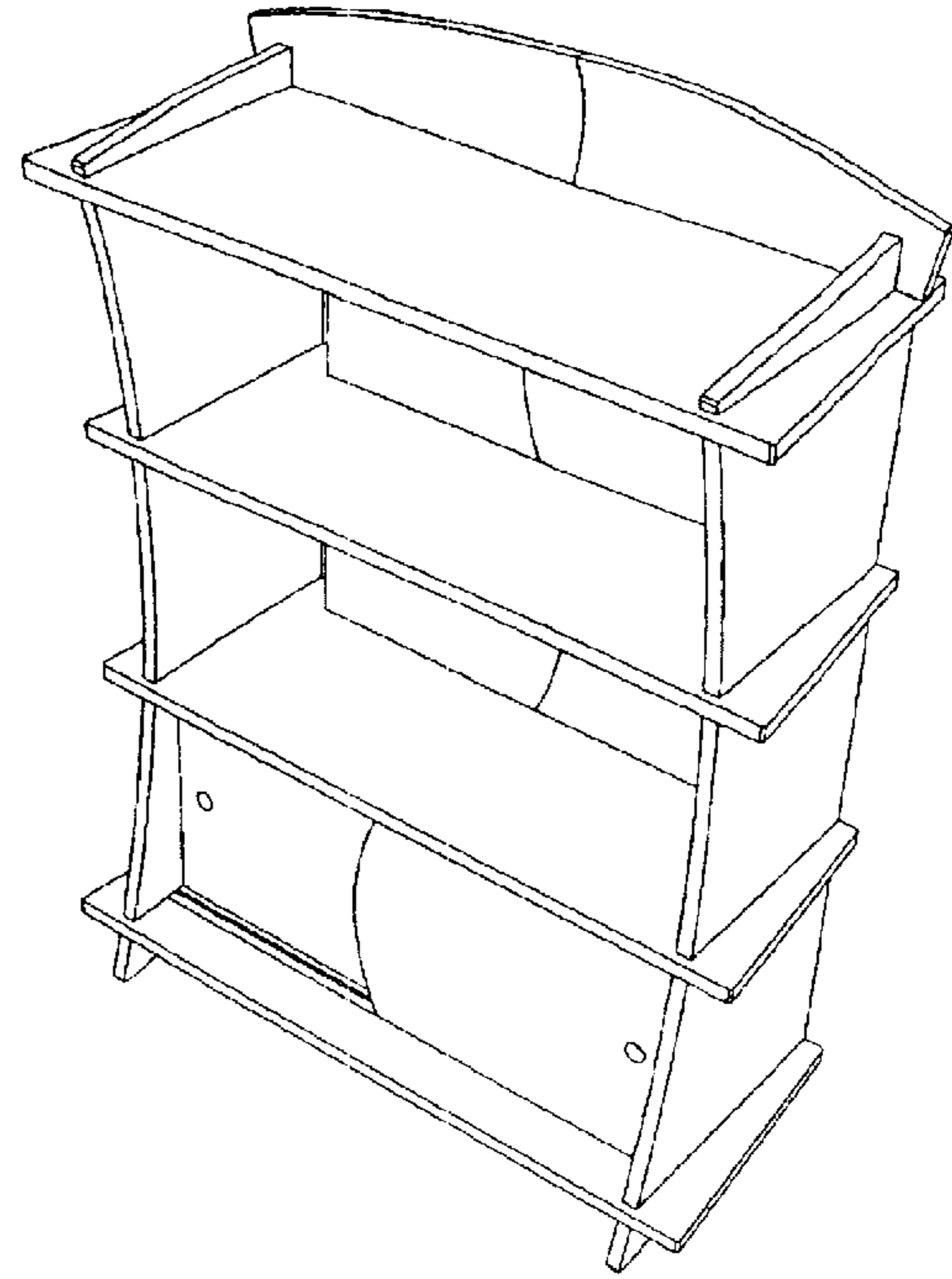


FIG. 7

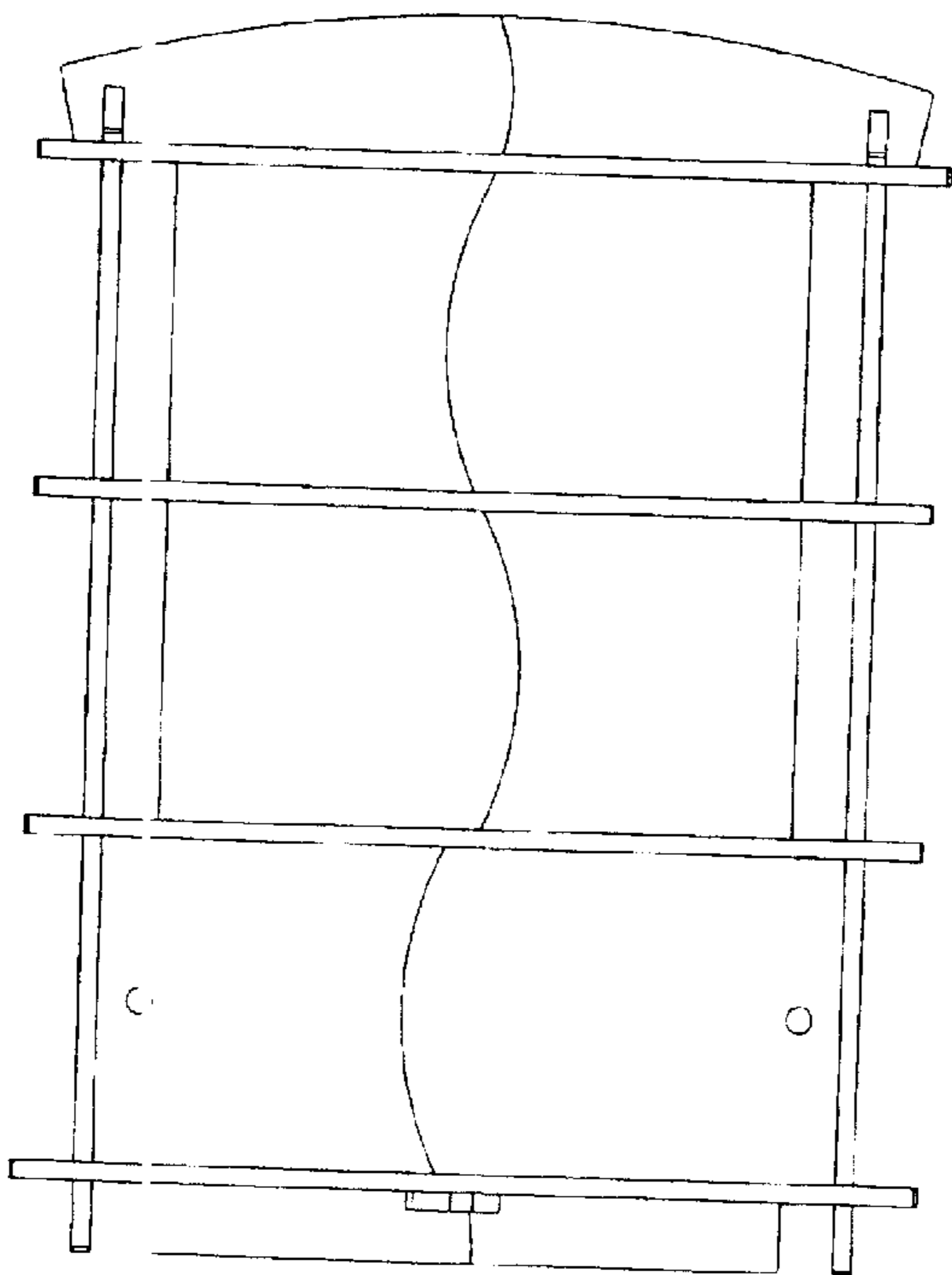


FIG. 8

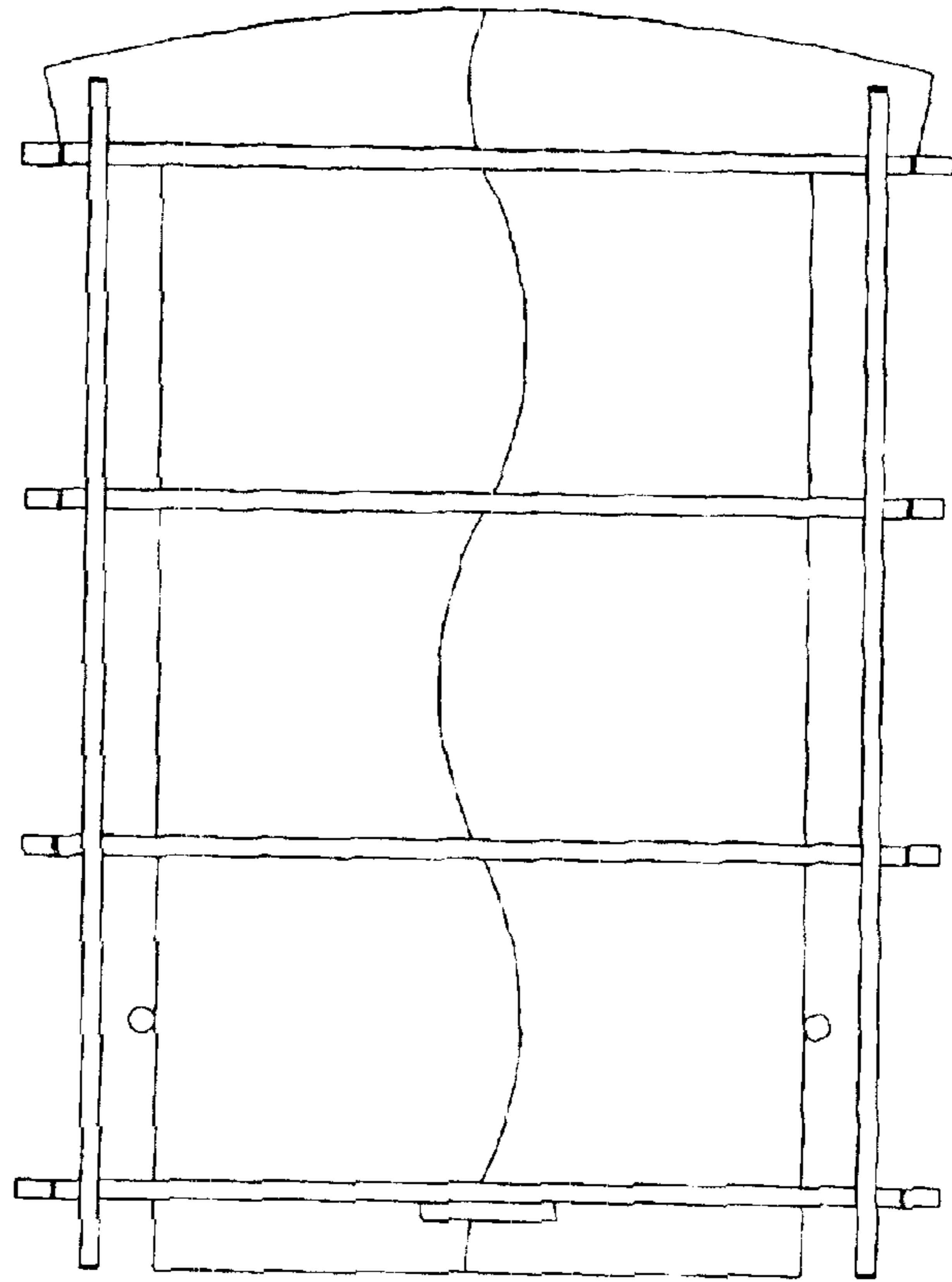


FIG. 9

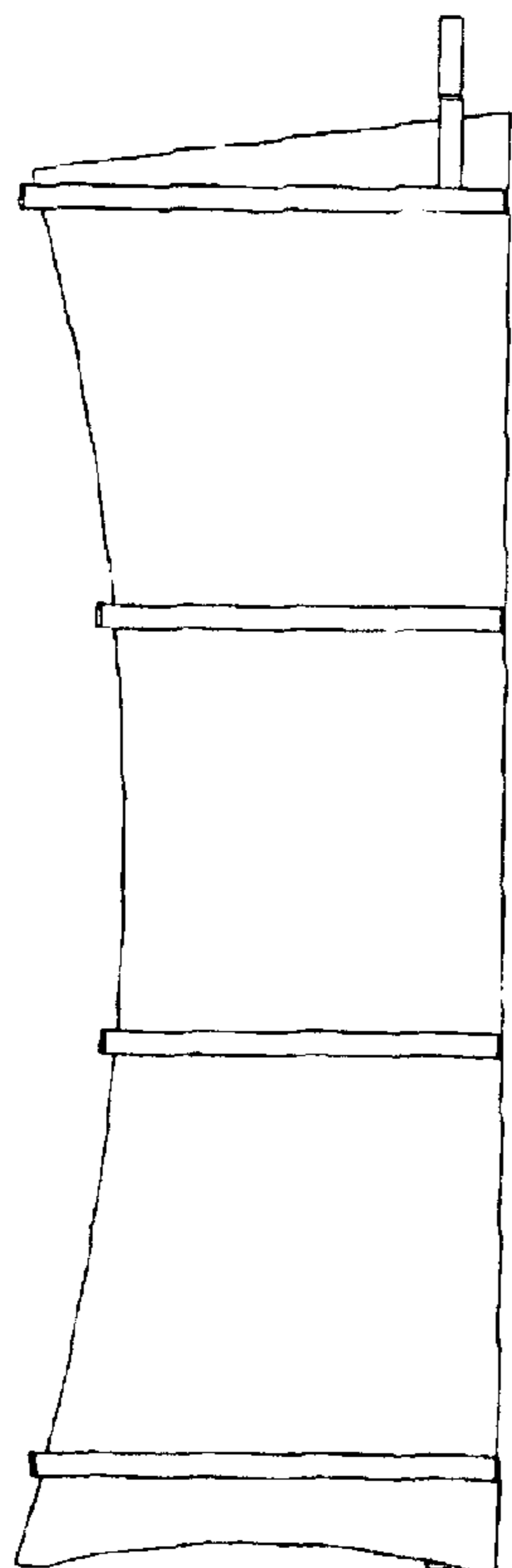


FIG. 10

FIG. 11

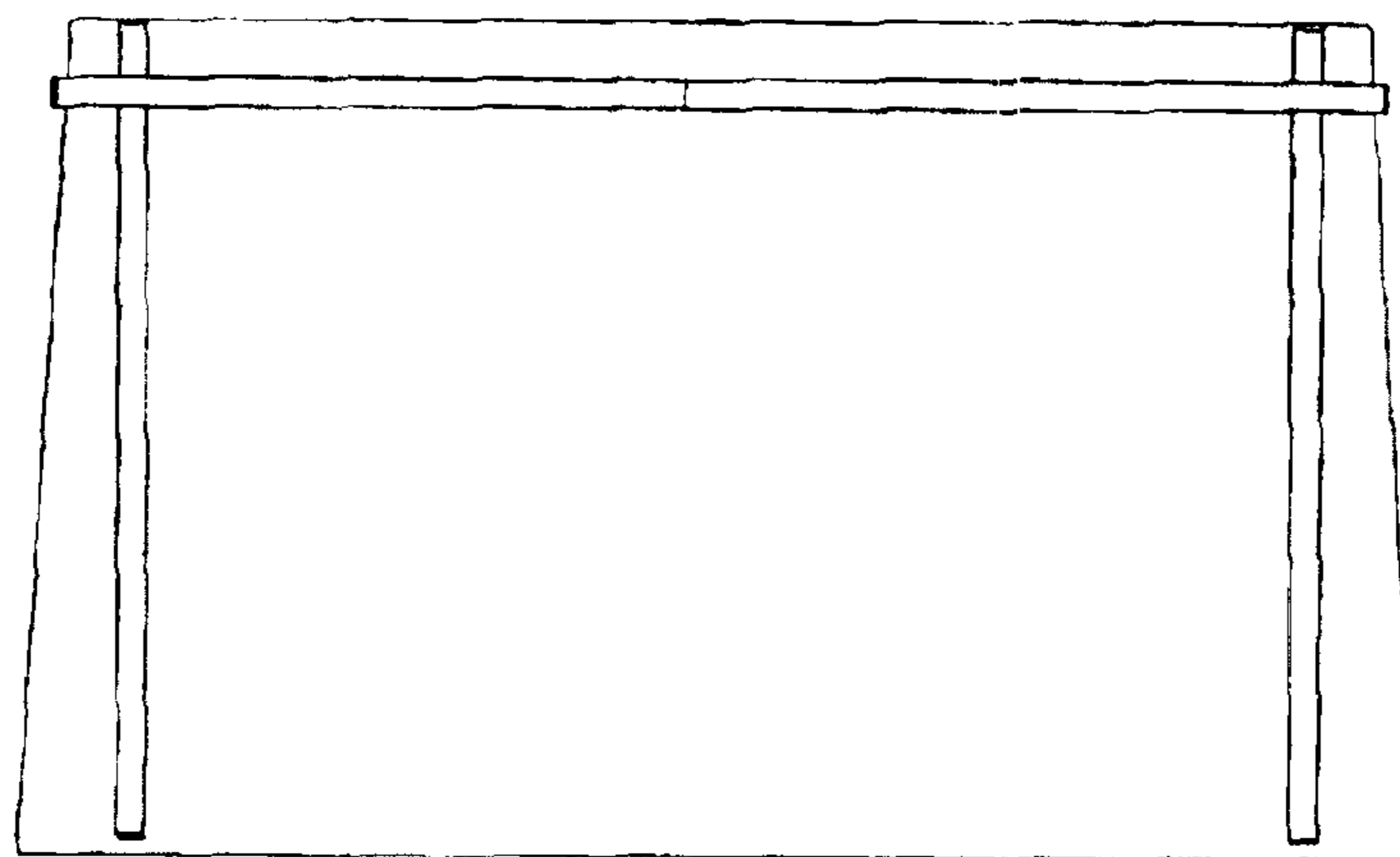
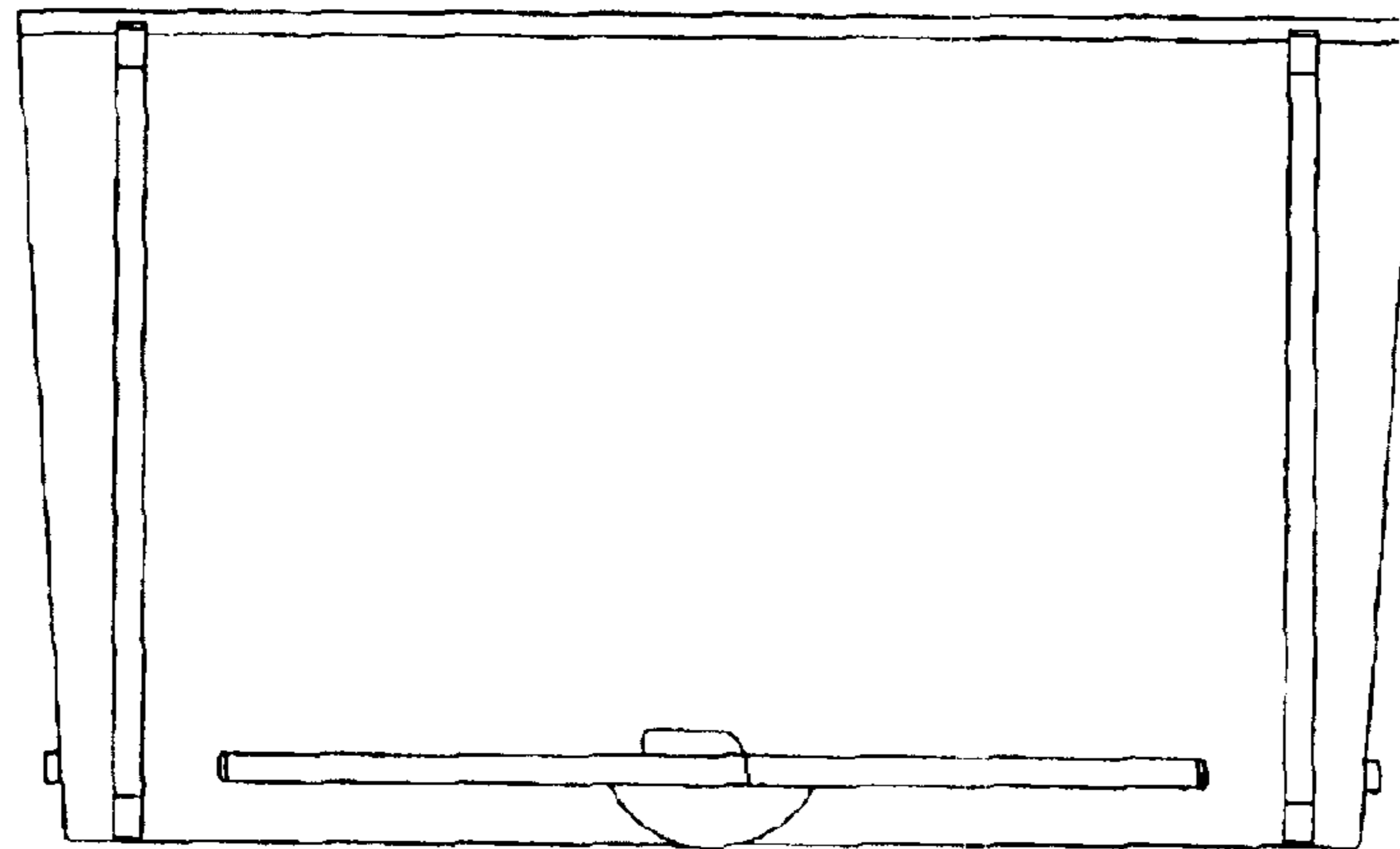


FIG. 12

FIG. 13

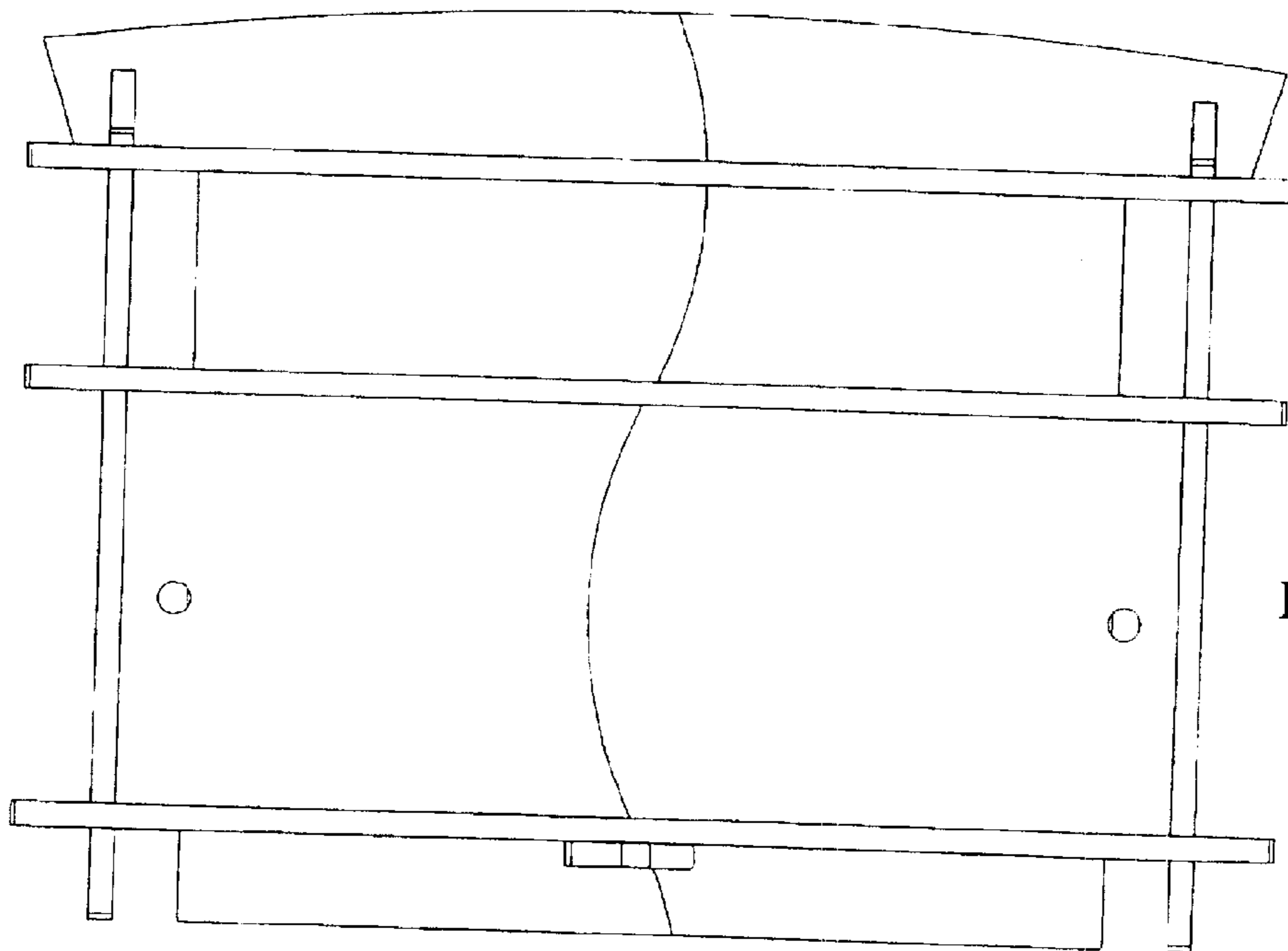
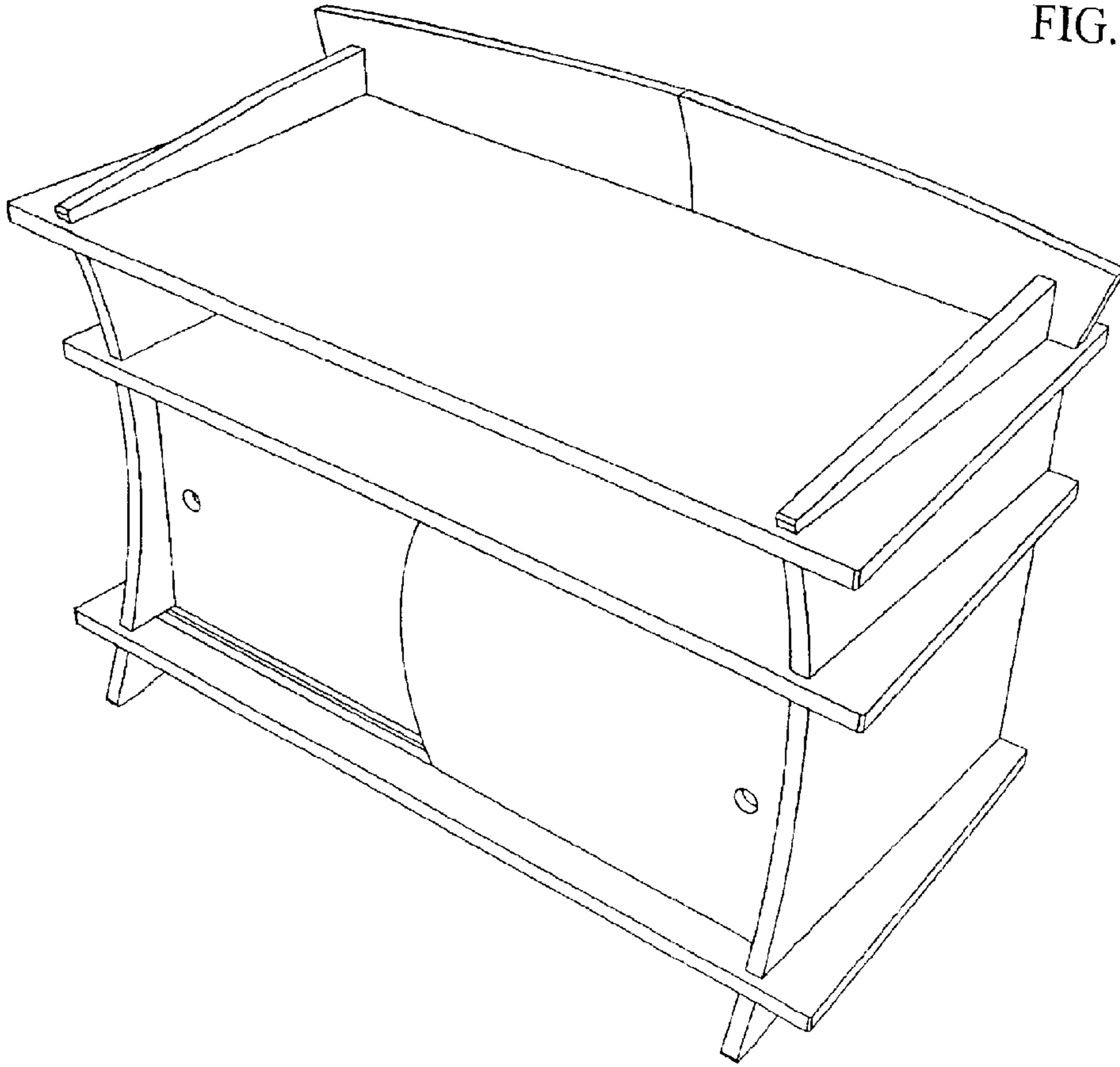


FIG 14



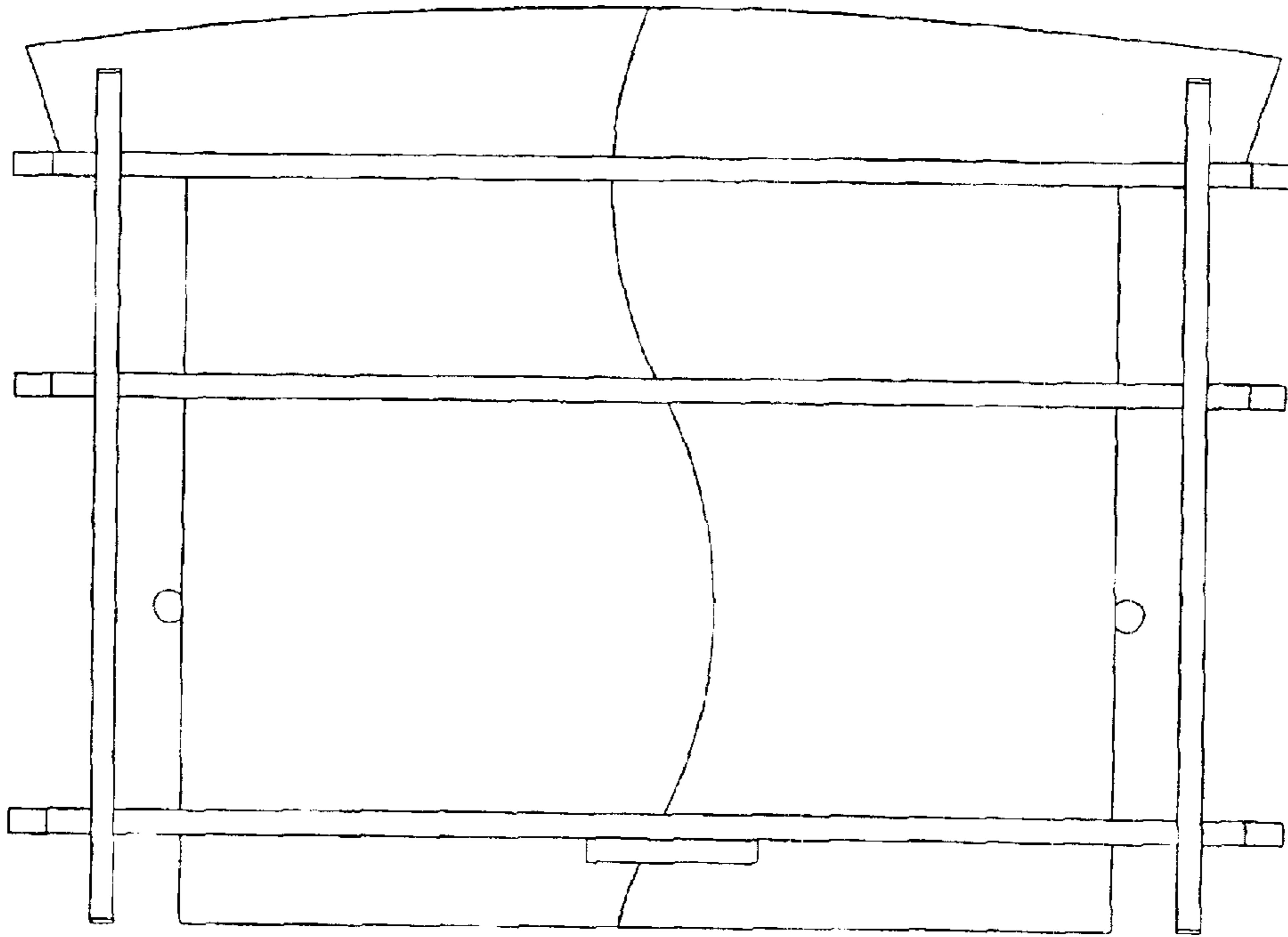


FIG. 15

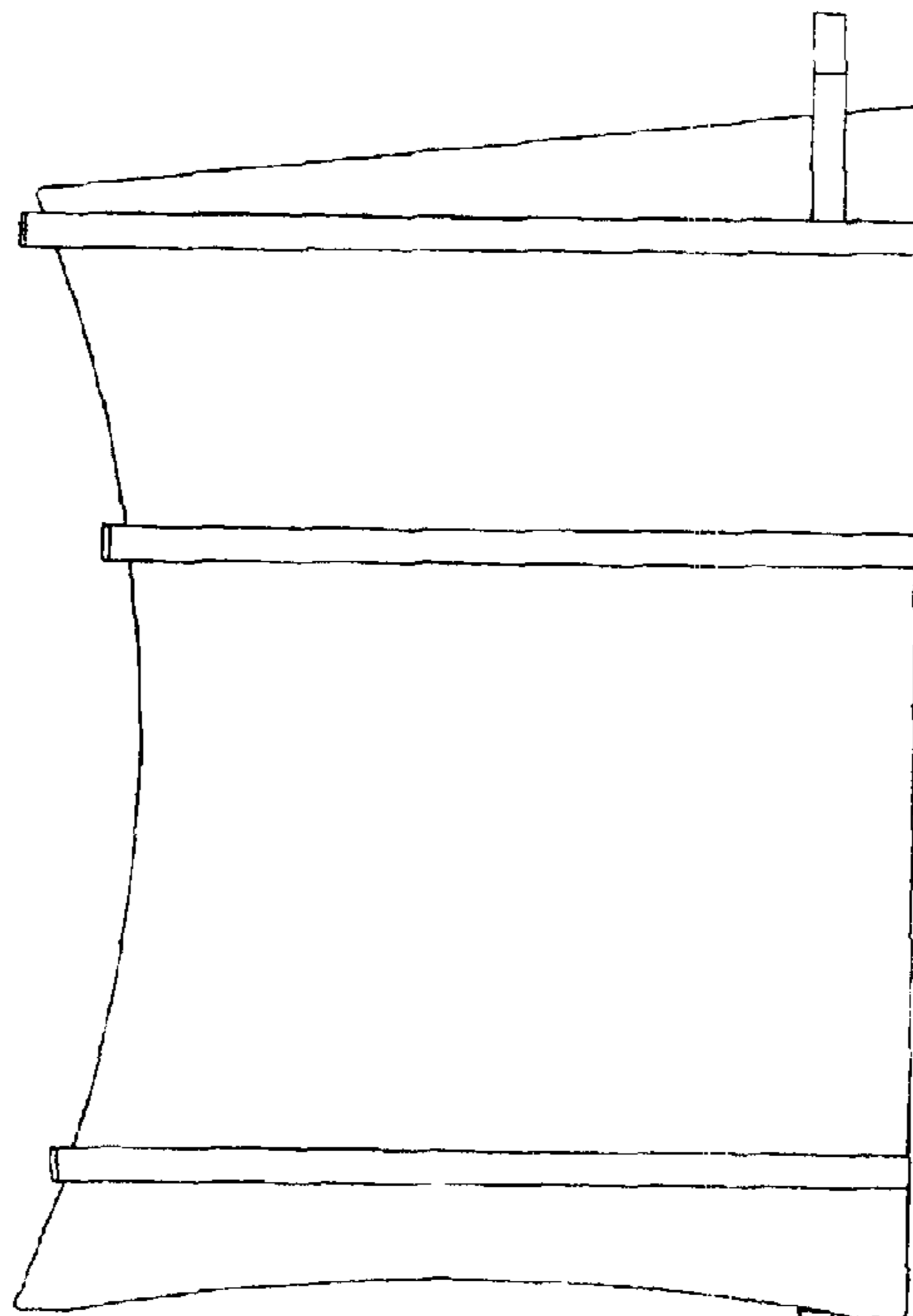


FIG. 16

FIG. 17

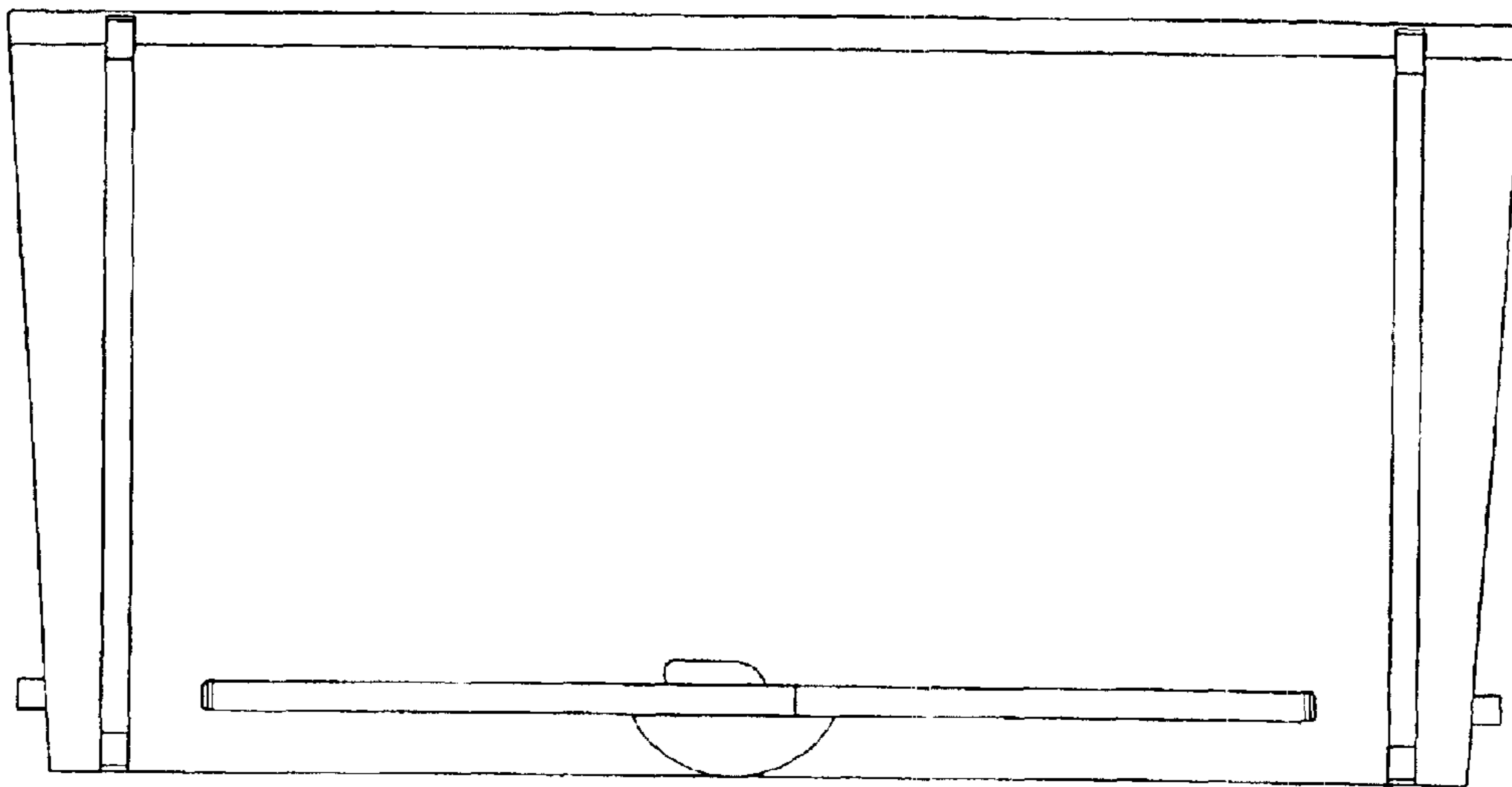


FIG. 18

