

US00D499576S

(12) **United States Design Patent**
Long

(10) **Patent No.:** **US D499,576 S**

(45) **Date of Patent:** **** Dec. 14, 2004**

(54) **COMPUTER DESK AND WORKSTATION**

(76) **Inventor:** **Kenneth W. Long**, 2753 Rolling Hills Dr., Monroe, NC (US) 28110

(**) **Term:** **14 Years**

(21) **Appl. No.:** **29/187,250**

(22) **Filed:** **Jul. 30, 2003**

(51) **LOC (7) Cl.** **06-06**

(52) **U.S. Cl.** **D6/425**

(58) **Field of Search** D6/422-428, 429, D6/474, 479; 312/194-196, 208.1, 208.4; 108/50.01, 50.02, 91, 92

(56) **References Cited**

U.S. PATENT DOCUMENTS

D87,879 S	*	10/1932	Hunter	D6/425
2,931,685 A		4/1960	Butler		
3,862,785 A		1/1975	Scheerhorn et al.		
D274,873 S	*	7/1984	Cope et al.	D6/420
4,640,199 A		2/1987	Zigman		
4,884,773 A		12/1989	Becker		
5,044,284 A		9/1991	Gross		

5,287,815 A		2/1994	Gross		
5,857,415 A		1/1999	Richard		
5,954,408 A		9/1999	Bogucki		
6,170,406 B1		1/2001	Klein et al.		
D462,194 S	*	9/2002	Wang	D6/425
D464,212 S	*	10/2002	Chen	D6/425

* cited by examiner

Primary Examiner—Janice E. Seeger
(74) *Attorney, Agent, or Firm*—Foley & Lardner LLP

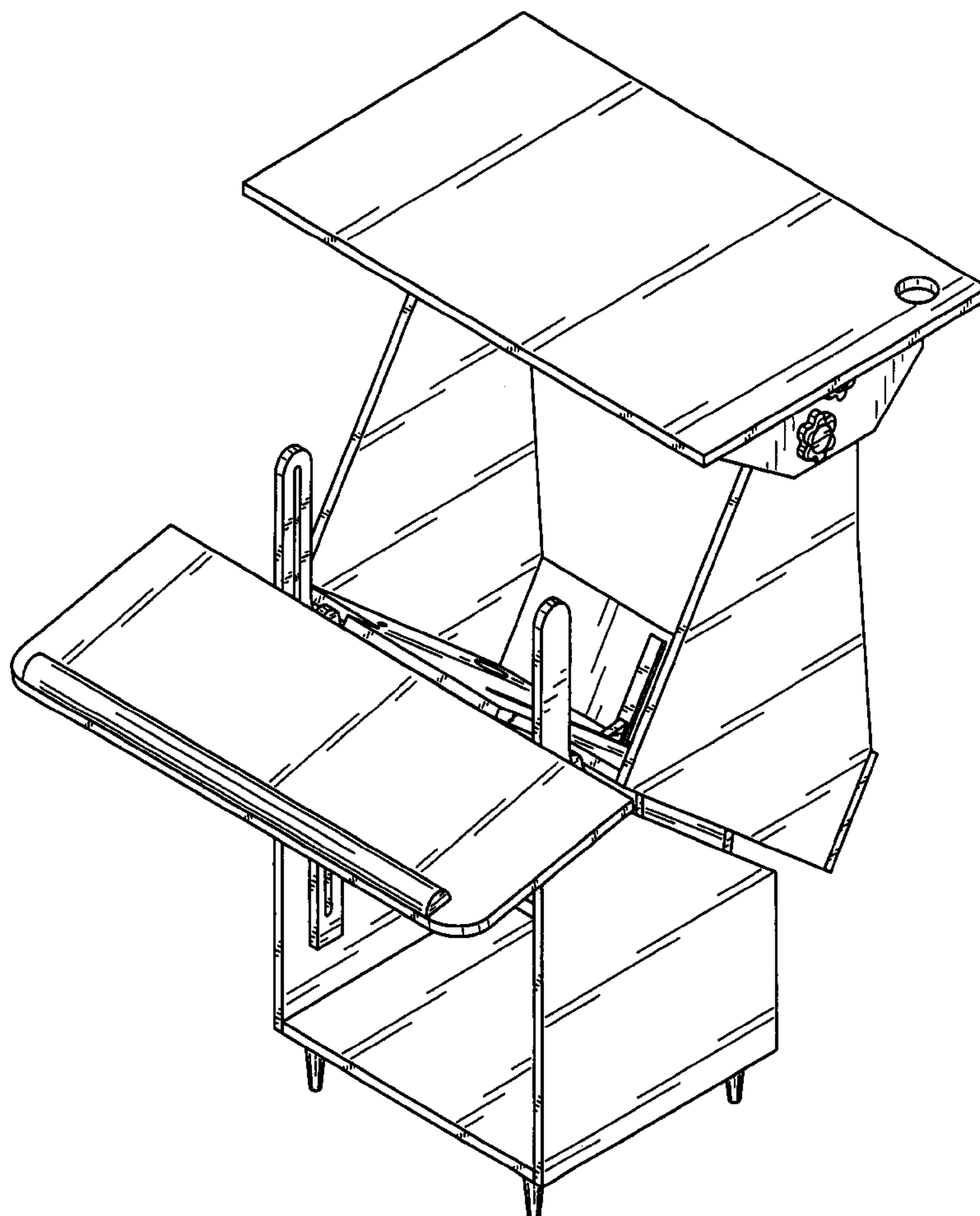
(57) **CLAIM**

The ornamental design for an computer desk and workstation, as shown and described.

DESCRIPTION

FIG. 1 is a perspective view of my design;
FIG. 2 is front view of my design;
FIG. 3 is a rear view of my design;
FIG. 4 is a left side view of my design;
FIG. 5 is a right side view of my design;
FIG. 6 is a top plan view of my design; and,
FIG. 7 is a bottom plan view of my design.

1 Claim, 7 Drawing Sheets



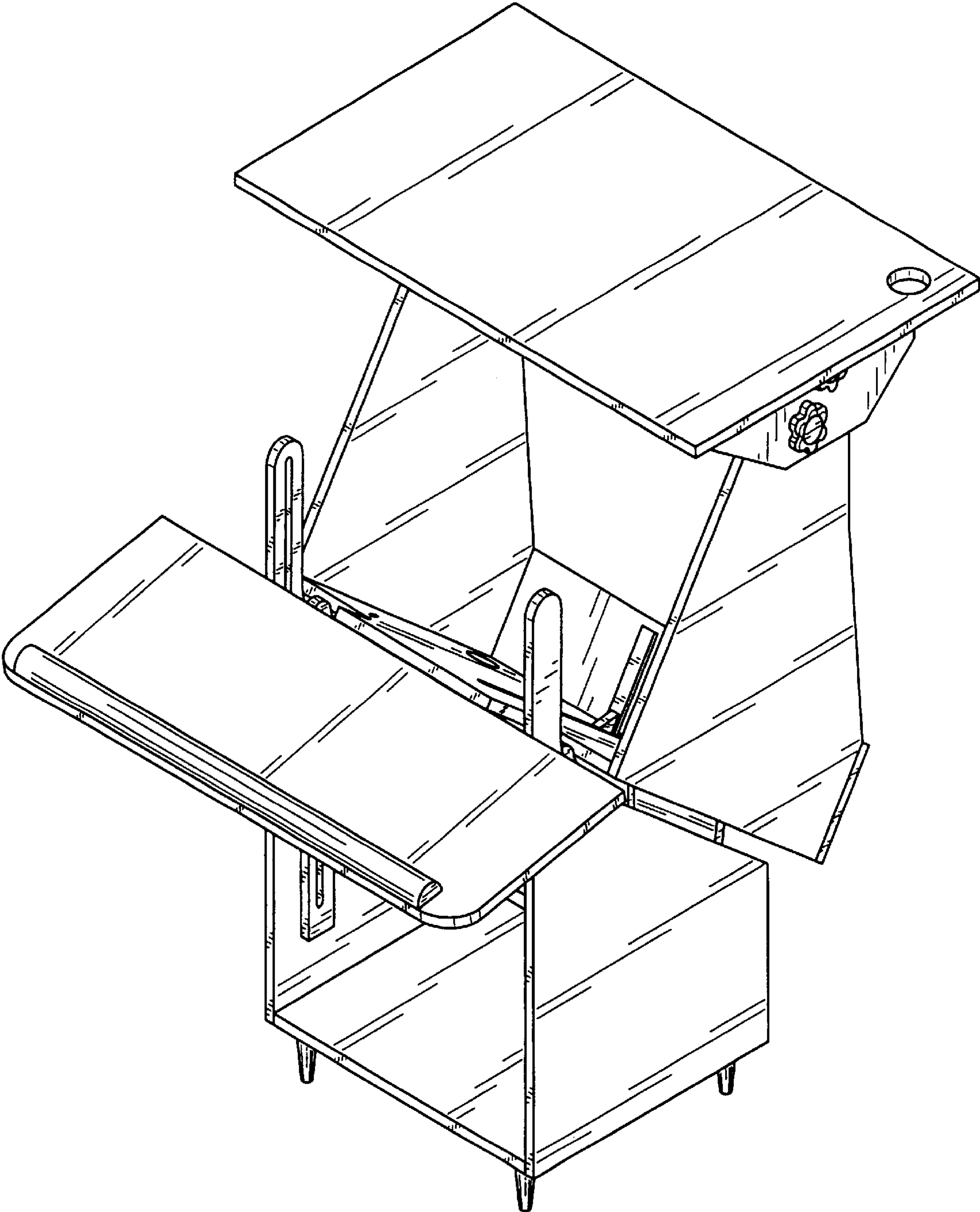


FIG. 1

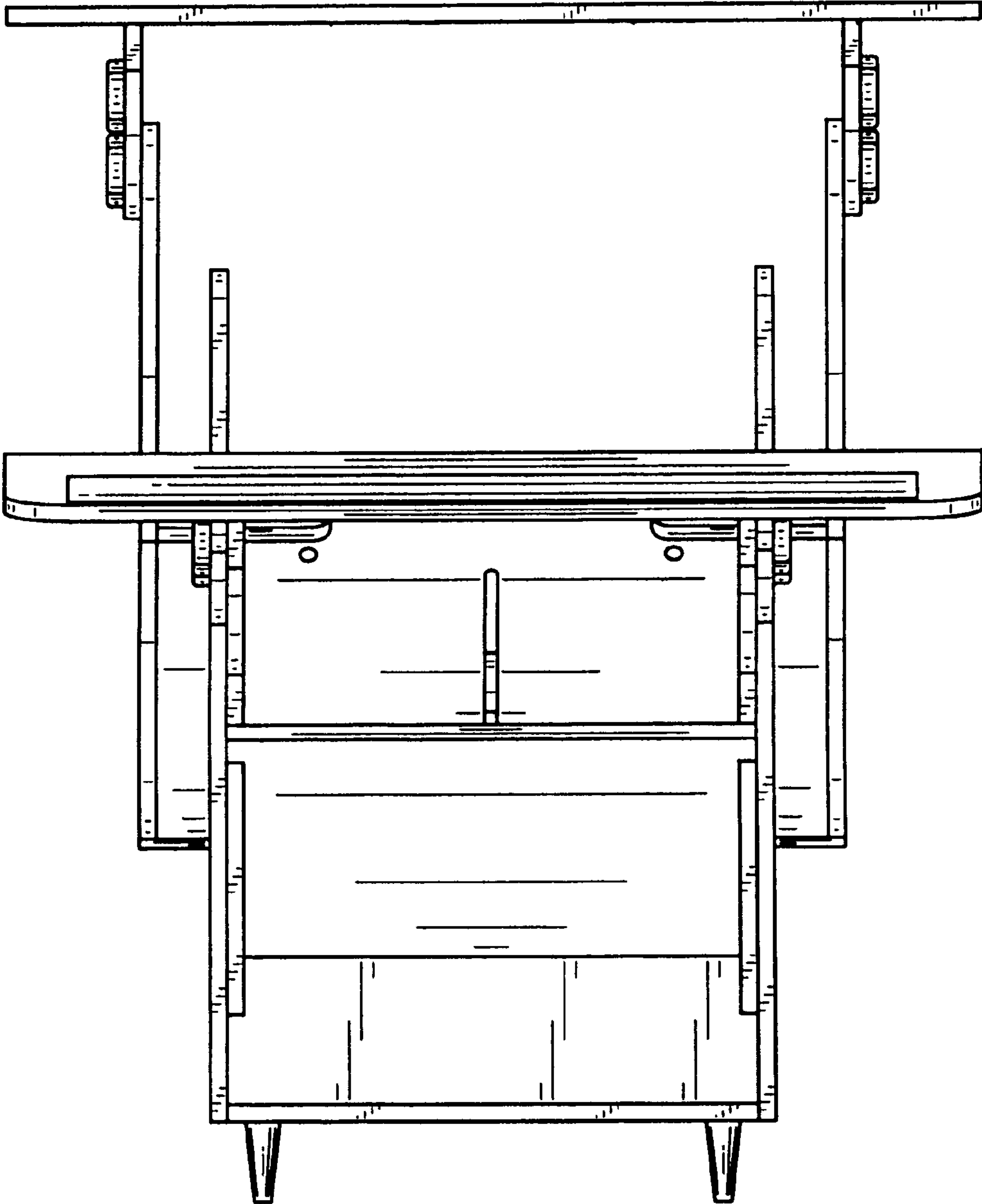


FIG. 2

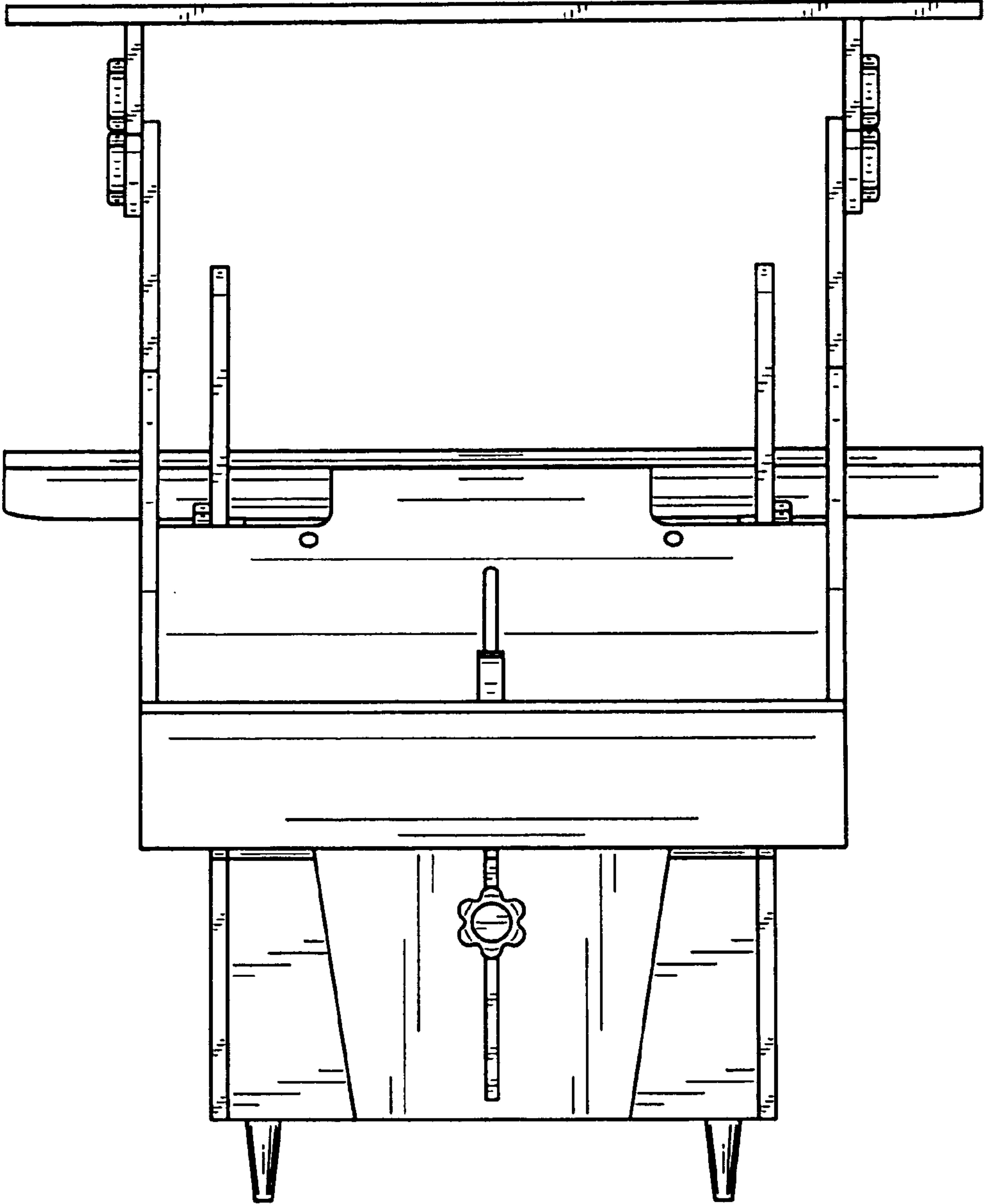


FIG. 3

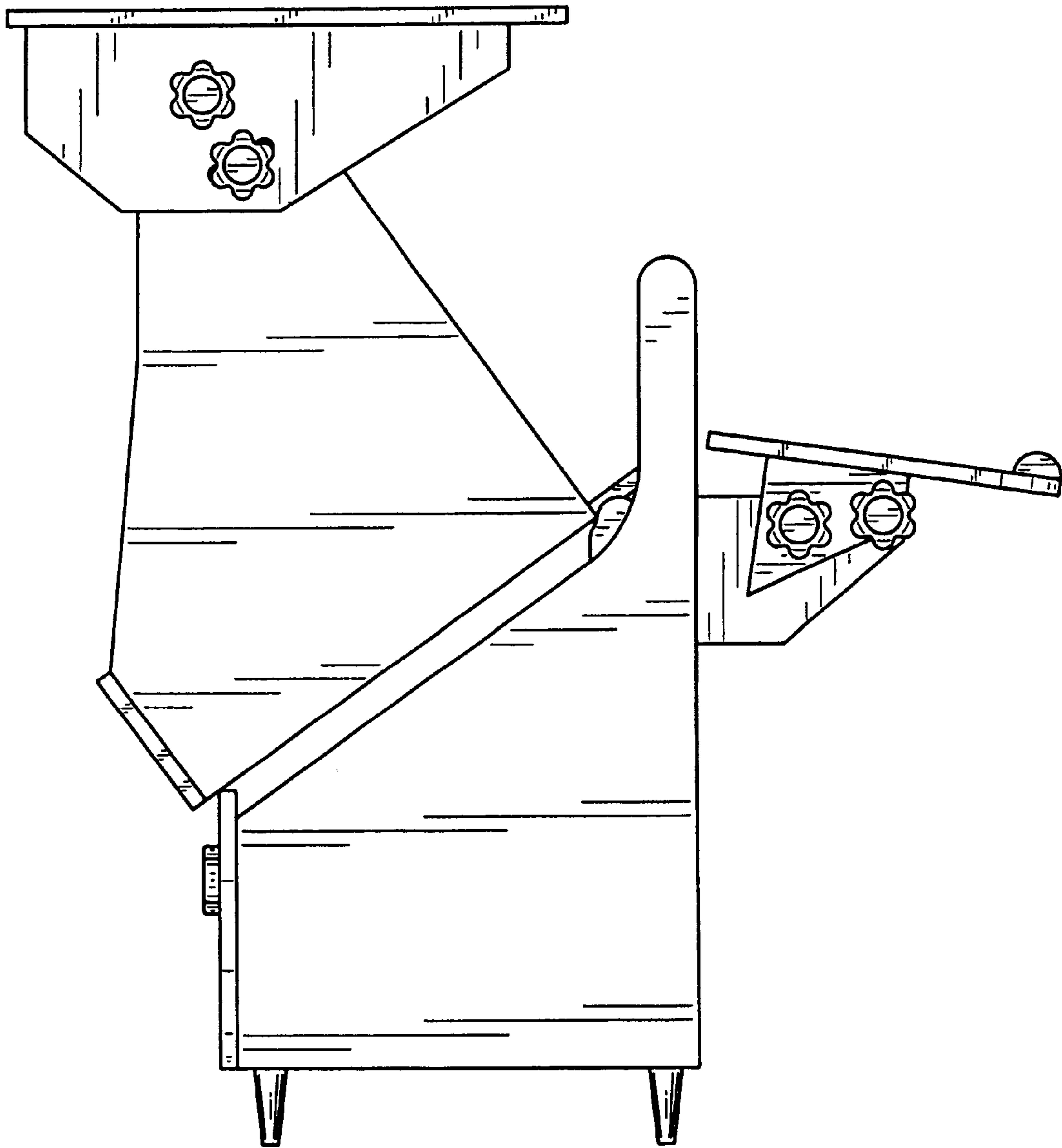


FIG. 4

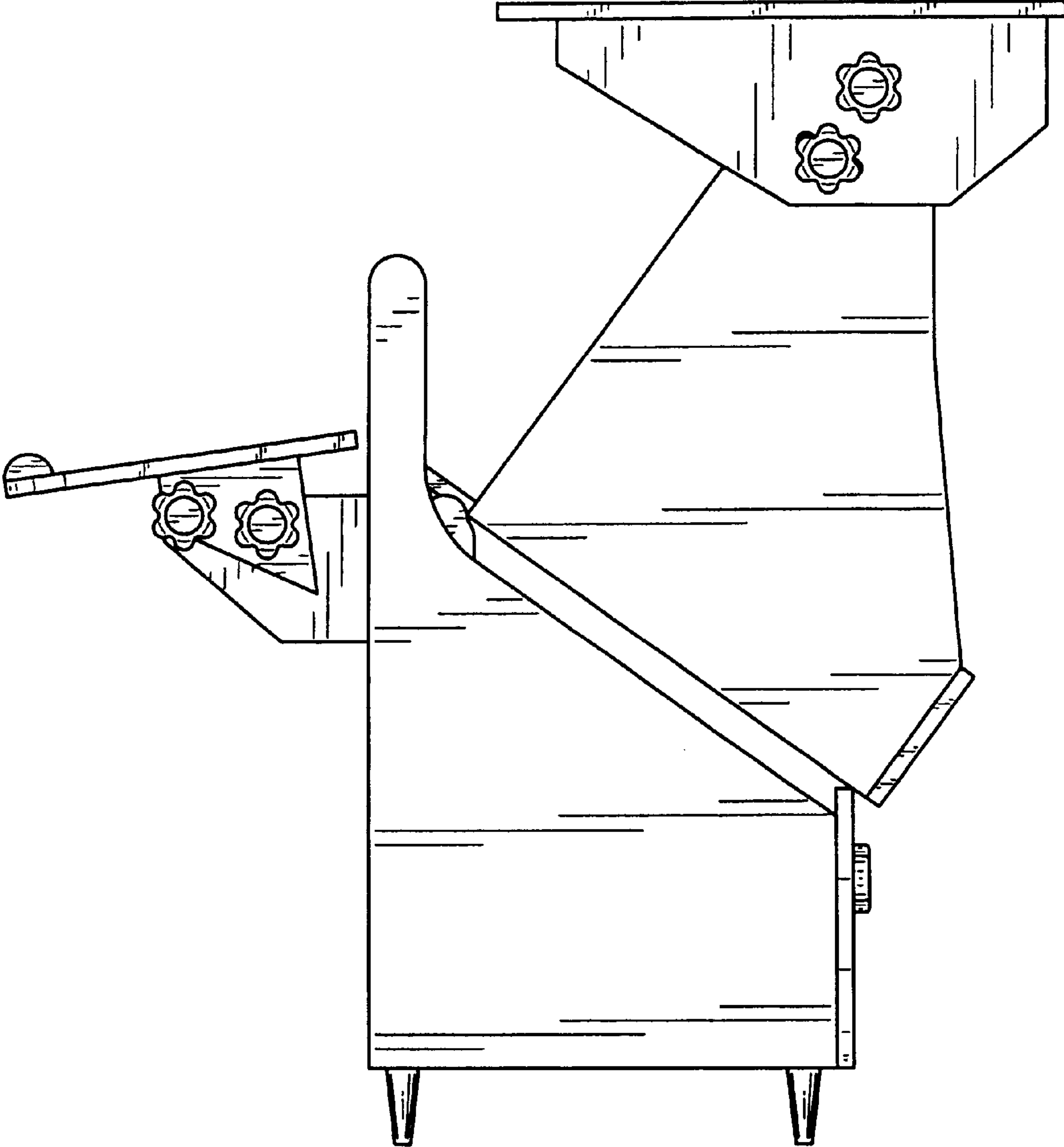


FIG. 5

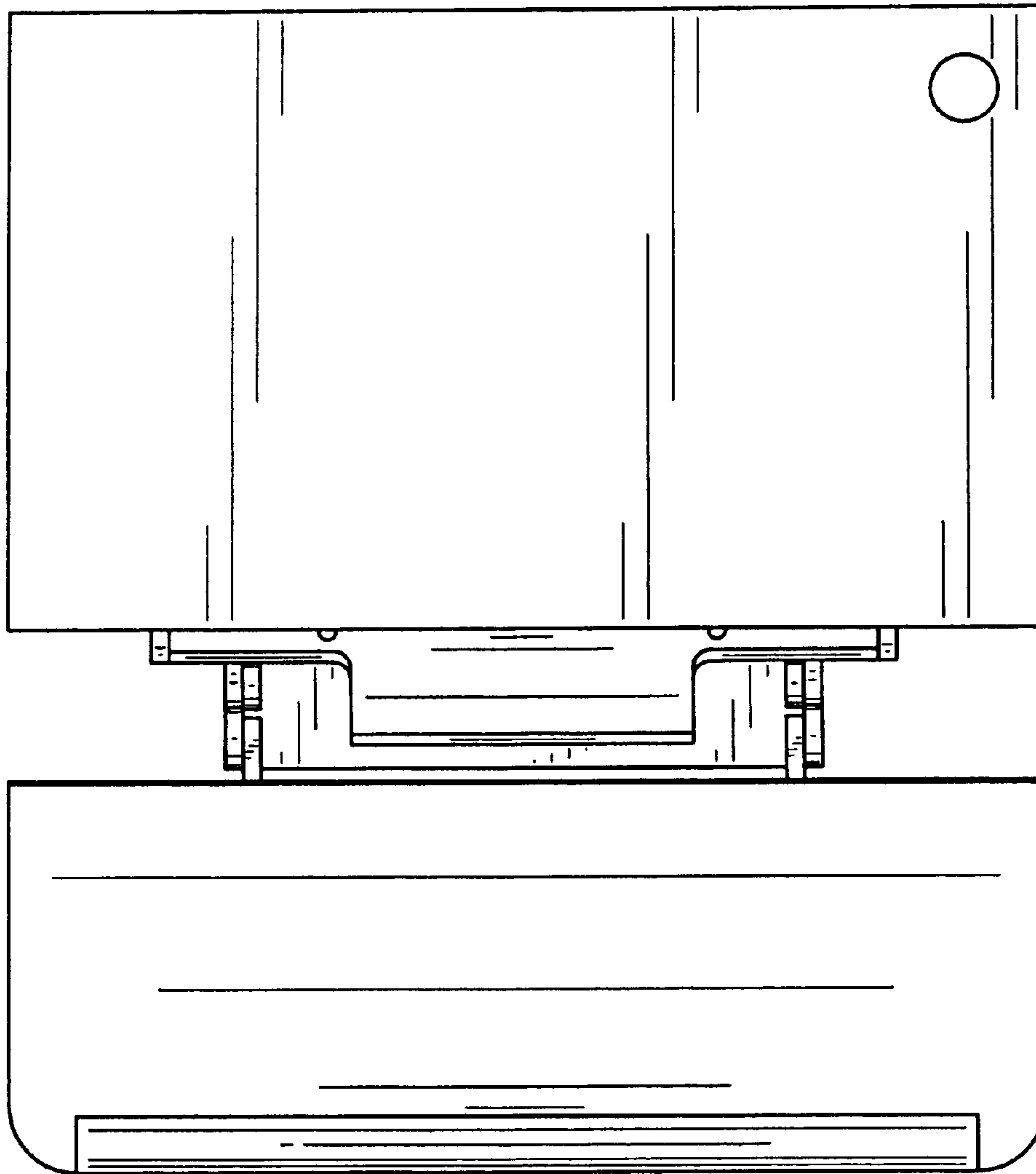


FIG. 6

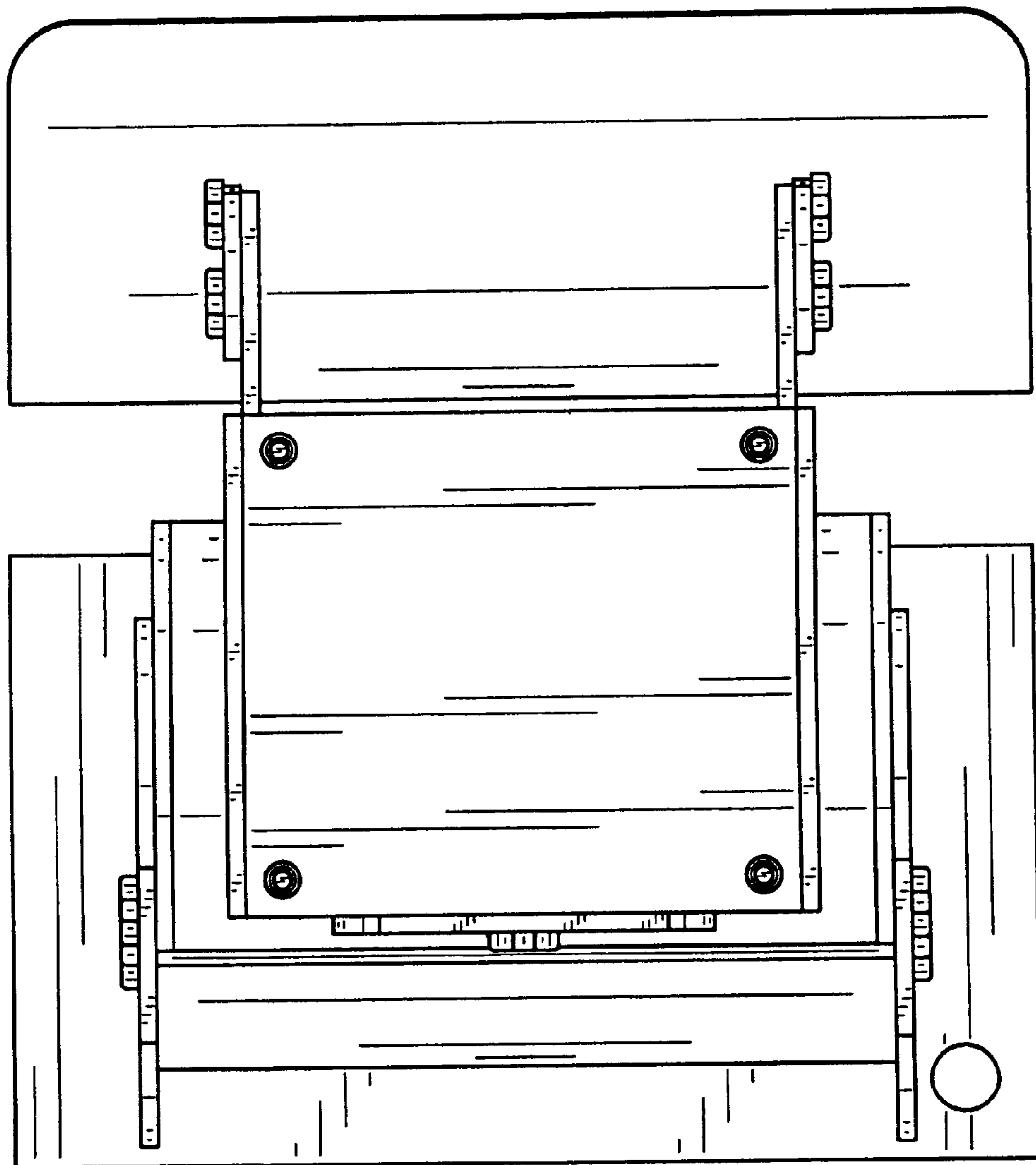


FIG. 7