



US00D499574S

(12) **United States Design Patent**  
**Spicer**

(10) **Patent No.: US D499,574 S**

(45) **Date of Patent: \*\* Dec. 14, 2004**

- (54) **DUAL SIDE LAPTOP PORTABLE WORKBENCH**
- (76) Inventor: **Harding Garfield Spicer**, 2440 Geary Blvd., Unit-A, San Francisco, CA (US) 94115
- (\*\*) Term: **14 Years**
- (21) Appl. No.: **29/165,253**
- (22) Filed: **Aug. 6, 2002**
- (51) **LOC (7) Cl. .... 06-06**
- (52) **U.S. Cl. .... D6/406.3; D14/447**
- (58) **Field of Search .... D6/406.1, 406.2, D6/406.3, 406.4, 406.5, 406.6, 310, 339, 419, 420, 429, 449, 511; D7/545, 550.1, 554.3, 554.4, 698; D12/415, 416, 426.1; D14/447, 458; D19/36, 52, 65, 75, 78, 86, 88, 90, 91, 92, 99; 108/36, 43, 44, 49, 129, 132; 224/42.11, 400; 248/166, 444, 451, 460, 463; 297/148, 153; 312/231**

(56) **References Cited**

**U.S. PATENT DOCUMENTS**

696,044 A	3/1902	Hoffman	
D228,202 S	* 8/1973	Quenot	D19/86
D256,480 S	* 8/1980	Wright	D19/75
D280,216 S	* 8/1985	Boklund	D6/406.3
D286,833 S	* 11/1986	Cervero	D6/429
D287,678 S	* 1/1987	Hatcher et al.	D14/447
D302,425 S	* 7/1989	LaBudde et al.	D14/447
D318,487 S	* 7/1991	Kennedy	D19/75
D327,200 S	* 6/1992	Szablak et al.	D7/550.1
D330,892 S	* 11/1992	Hassel et al.	D6/511
D333,300 S	* 2/1993	Hatcher	D14/447

D335,227 S	* 5/1993	Lapsker et al.	D6/449
D355,787 S	* 2/1995	Rae	D6/406.6
D358,511 S	* 5/1995	Frahm	D6/406.6
D359,398 S	6/1995	Jaykus	
D362,358 S	* 9/1995	Hatcher	D6/449
D364,290 S	* 11/1995	Watts	D6/449
5,553,824 A	9/1996	Dutra, Jr.	
D383,918 S	9/1997	Prince	
5,692,815 A	* 12/1997	Murphy	D14/458
D392,955 S	3/1998	Wilson	
D392,956 S	3/1998	Gillis	
D413,872 S	* 9/1999	Jessen	D14/447
6,003,446 A	12/1999	Leibowitz	
D423,482 S	4/2000	Eddins	
6,234,085 B1	5/2001	Ramundo	
6,311,944 B1	* 11/2001	McKsymick et al.	108/36
6,353,530 B1	3/2002	Zarek et al.	

\* cited by examiner

*Primary Examiner*—James Gandy  
*Assistant Examiner*—T. Chase Nelson

(57) **CLAIM**

The ornamental design for a dual side laptop portable workbench, as shown and described.

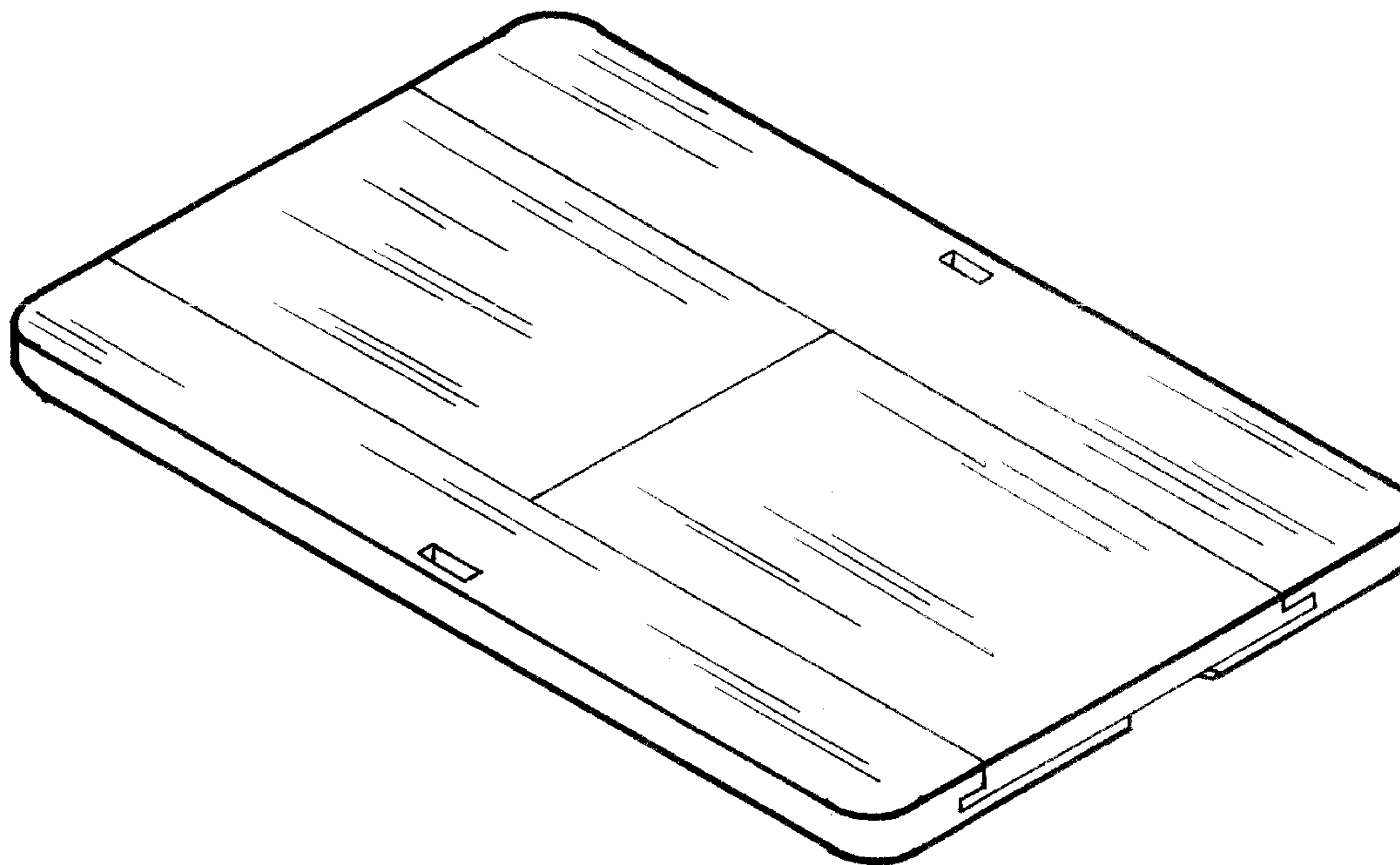
**DESCRIPTION**

FIG. 1 is a top right side perspective view of my dual side laptop portable workbench with the sleeves in a retracted pose and open slots for a securing strap showing my new design;

FIG. 2 is a top right side perspective view having the sleeves in an extended pose thereof; and,

FIG. 3 is a top left side perspective view of the secondary surface, having the sleeves in an extended pose thereof.

**1 Claim, 3 Drawing Sheets**



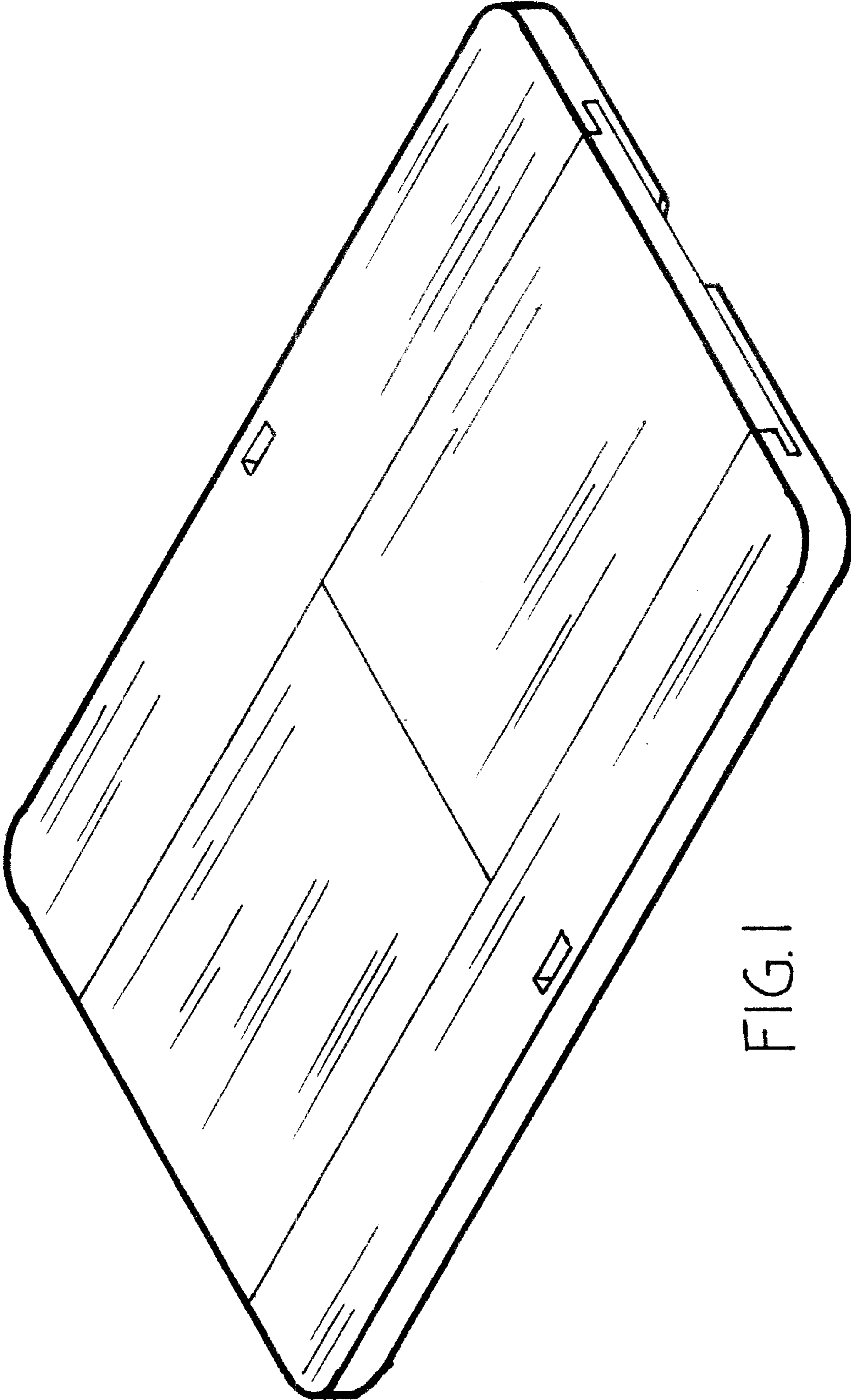


FIG. 1

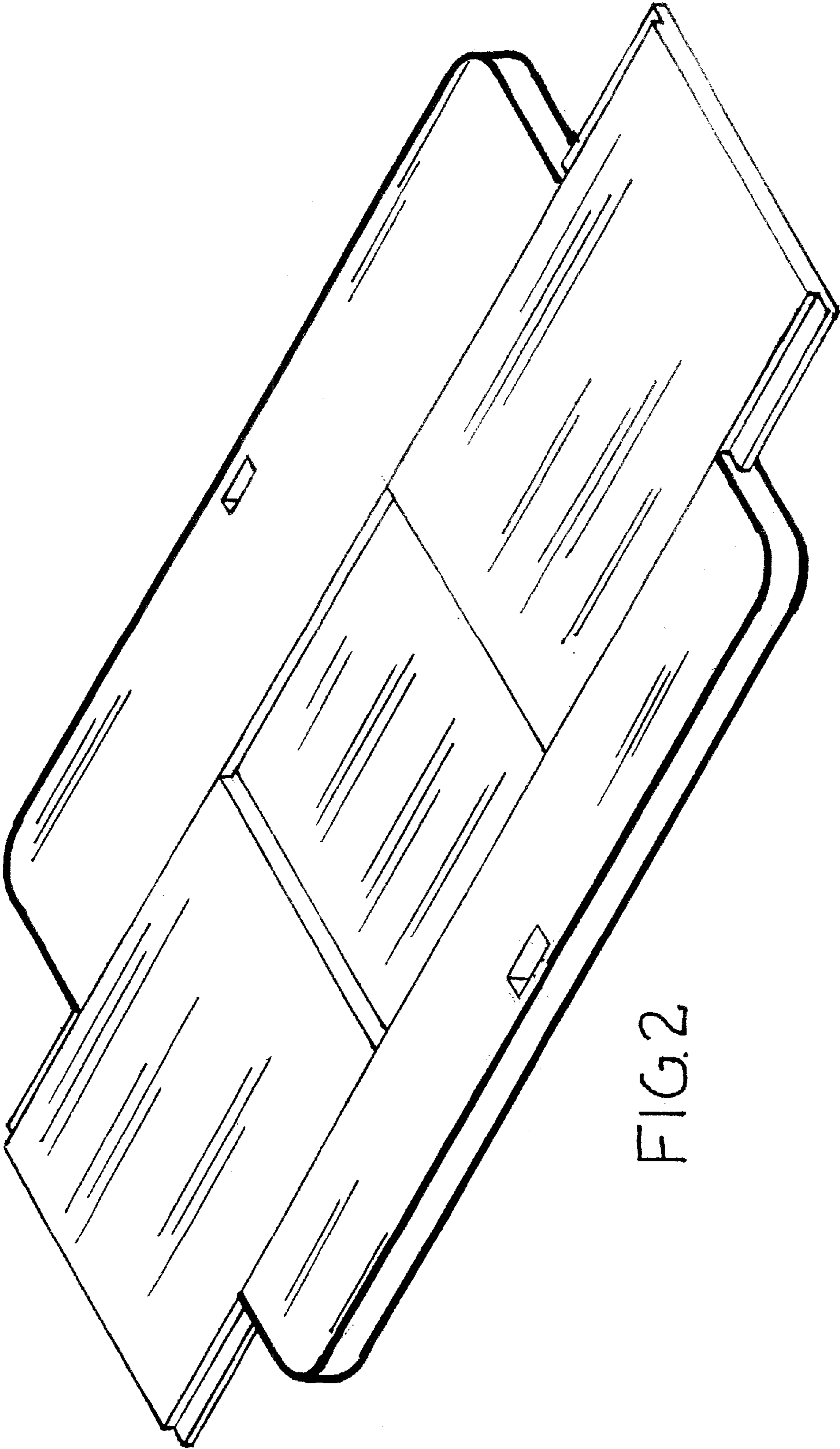


FIG. 2



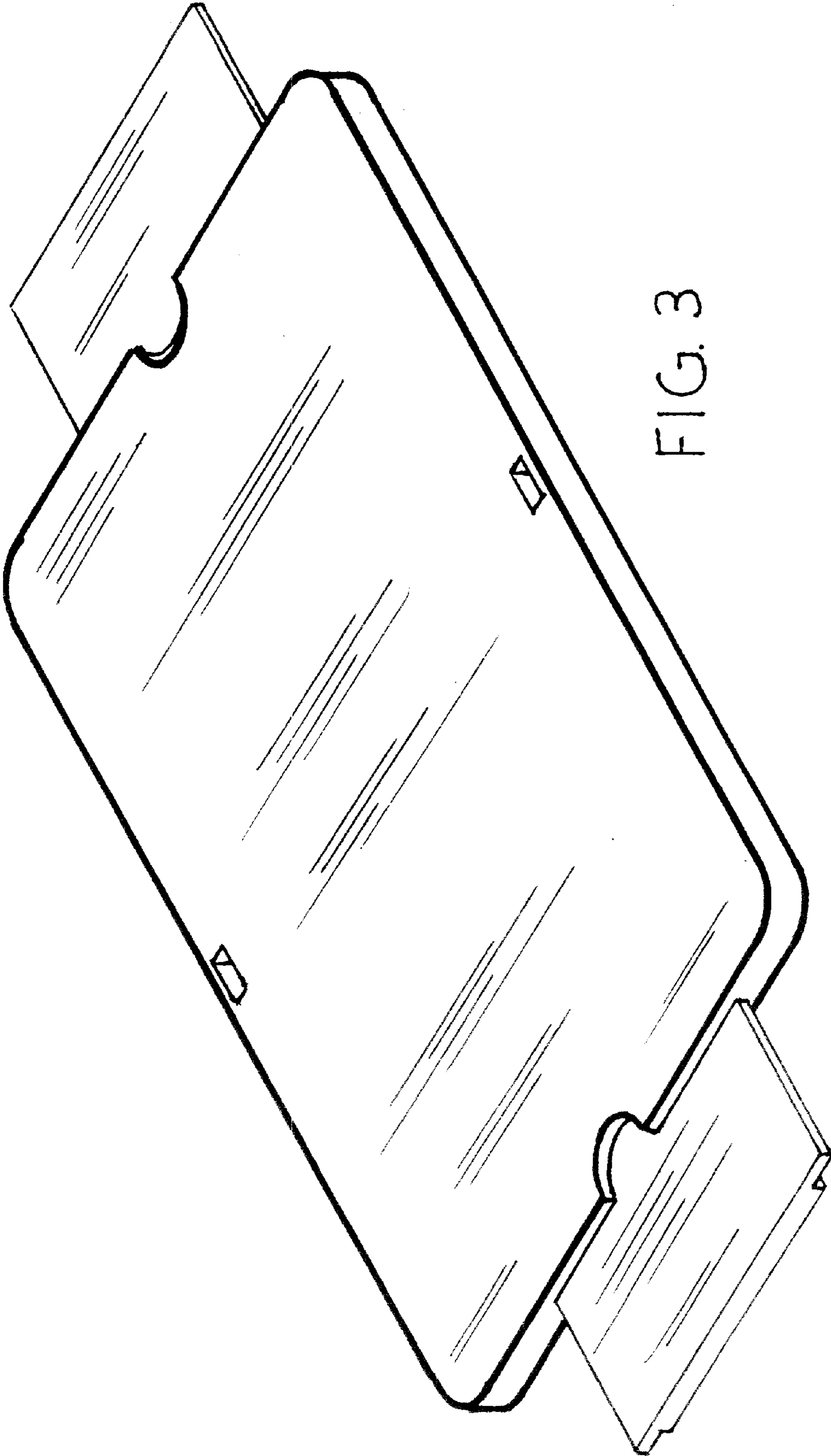


FIG. 3