

US00D499573S

(12) **United States Design Patent**
Mohundro

(10) **Patent No.:** **US D499,573 S**

(45) **Date of Patent:** **** Dec. 14, 2004**

(54) **LOVESEAT**

(75) **Inventor:** **James Glenn Mohundro, Taichung (TW)**

(73) **Assignee:** **Pacific Marketing International (H.K.) Ltd., Taichung (TW)**

(**) **Term:** **14 Years**

(21) **Appl. No.:** **29/203,760**

(22) **Filed:** **Apr. 20, 2004**

(51) **LOC (7) Cl.** **06-01**

(52) **U.S. Cl.** **D6/381**

(58) **Field of Search** D6/334, 335, 336, D6/364, 371, 381, 500-502; 5/12.1; 297/232

(56) **References Cited**

U.S. PATENT DOCUMENTS

- 1,273,968 A * 7/1918 Whedon 5/12.1 X
- D353,723 S * 12/1994 Lowman D6/381
- D381,217 S * 7/1997 Chandler D6/381

- D423,729 S * 4/2000 Morgan D6/381 X
- D447,883 S * 9/2001 Meier et al. D6/381
- D459,607 S * 7/2002 Gibson D6/381
- D490,623 S * 6/2004 Smith et al. D6/381

* cited by examiner

Primary Examiner—Gary D. Watson

(74) *Attorney, Agent, or Firm*—Rosenberg, Klein & Lee

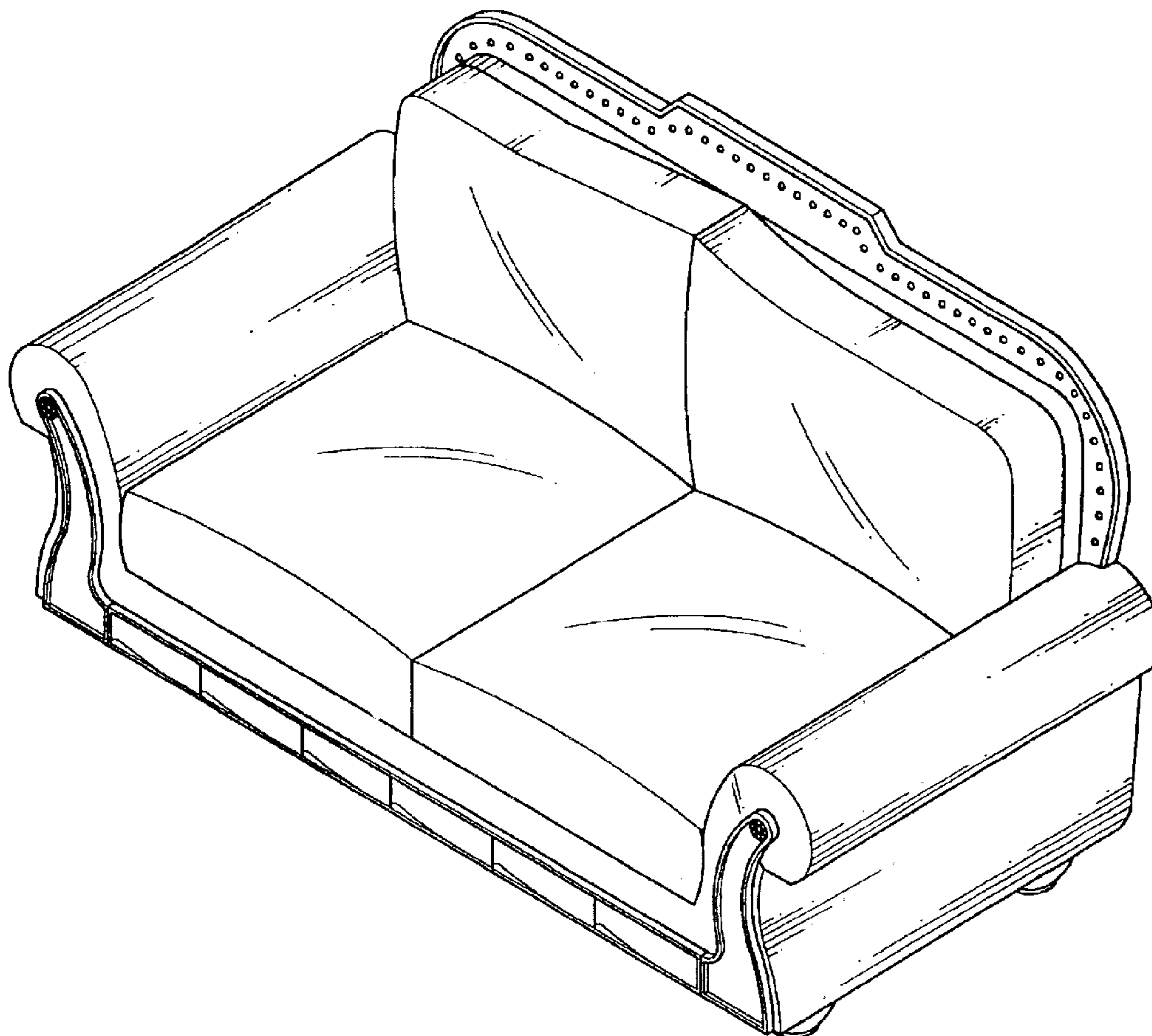
(57) **CLAIM**

The ornamental design for a loveseat, as shown and described.

DESCRIPTION

FIG. 1 is a perspective view of a loveseat, showing my new design;
 FIG. 2 is a front elevational view thereof;
 FIG. 3 is a rear elevational view thereof;
 FIG. 4 is a left elevational view thereof; and
 FIG. 5 is a right elevational view thereof;
 FIG. 6 is a top plan view thereof; and,
 FIG. 7 is a bottom plan view thereof.

1 Claim, 6 Drawing Sheets



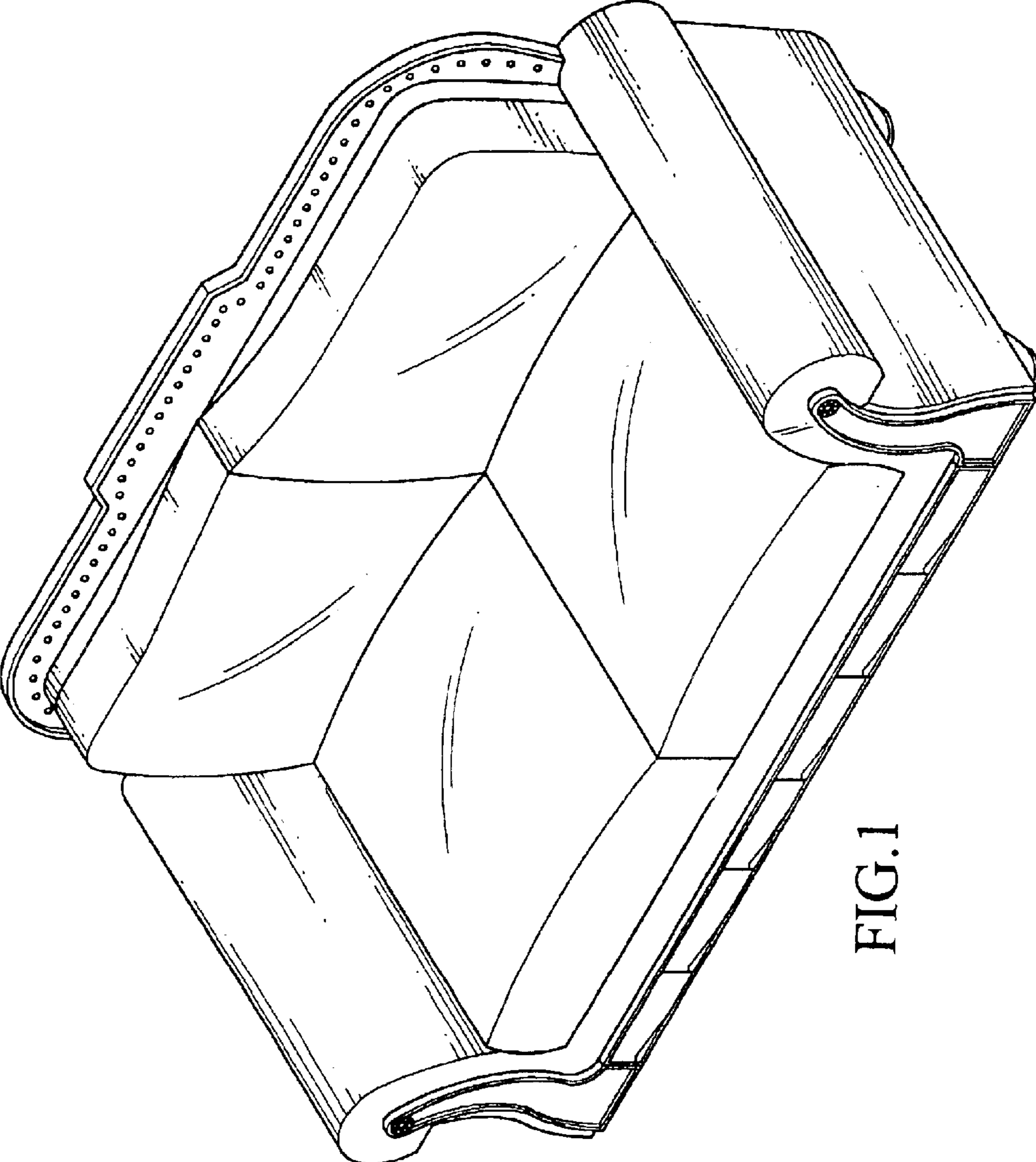


FIG.1

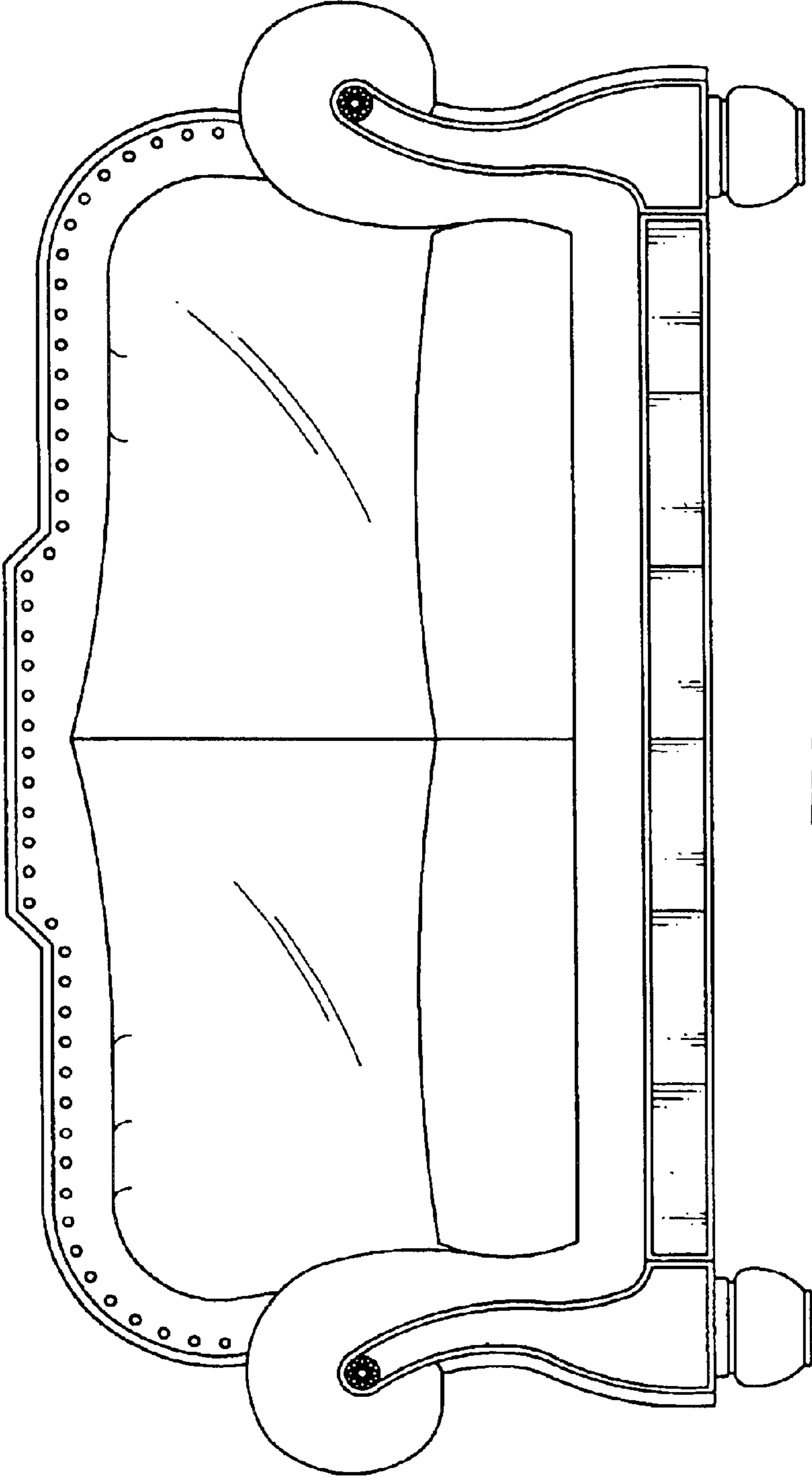


FIG. 2

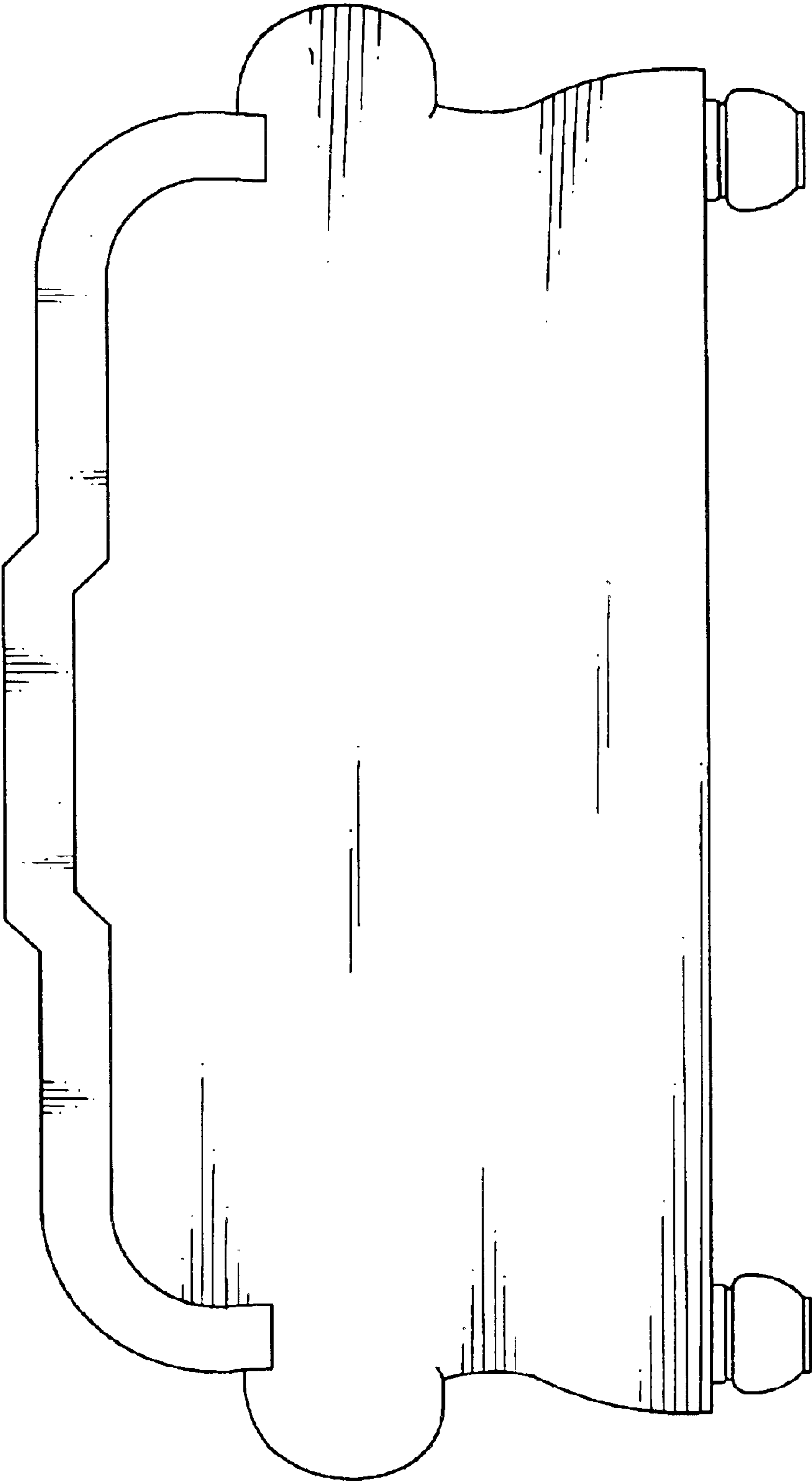


FIG. 3

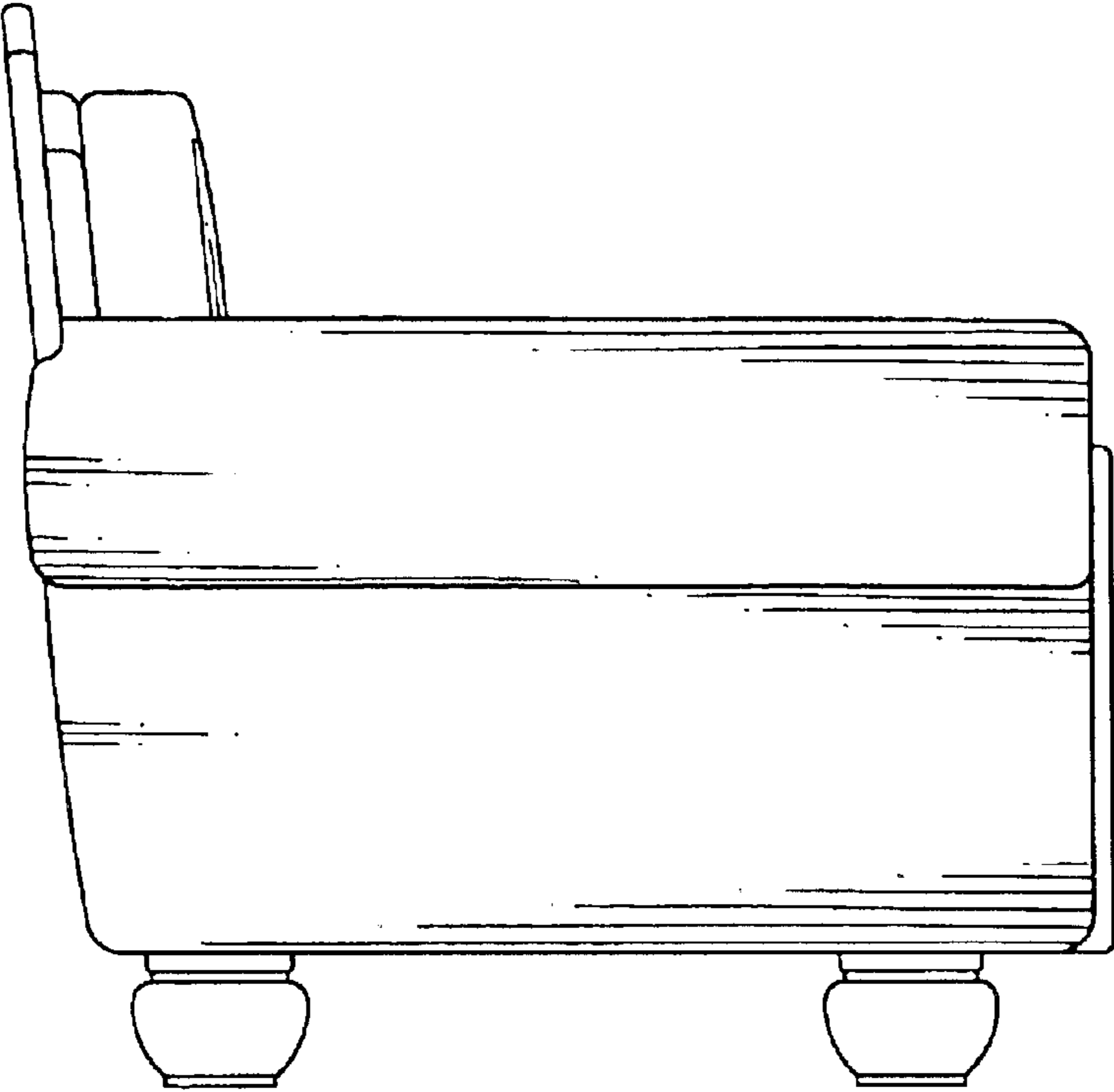


FIG. 4

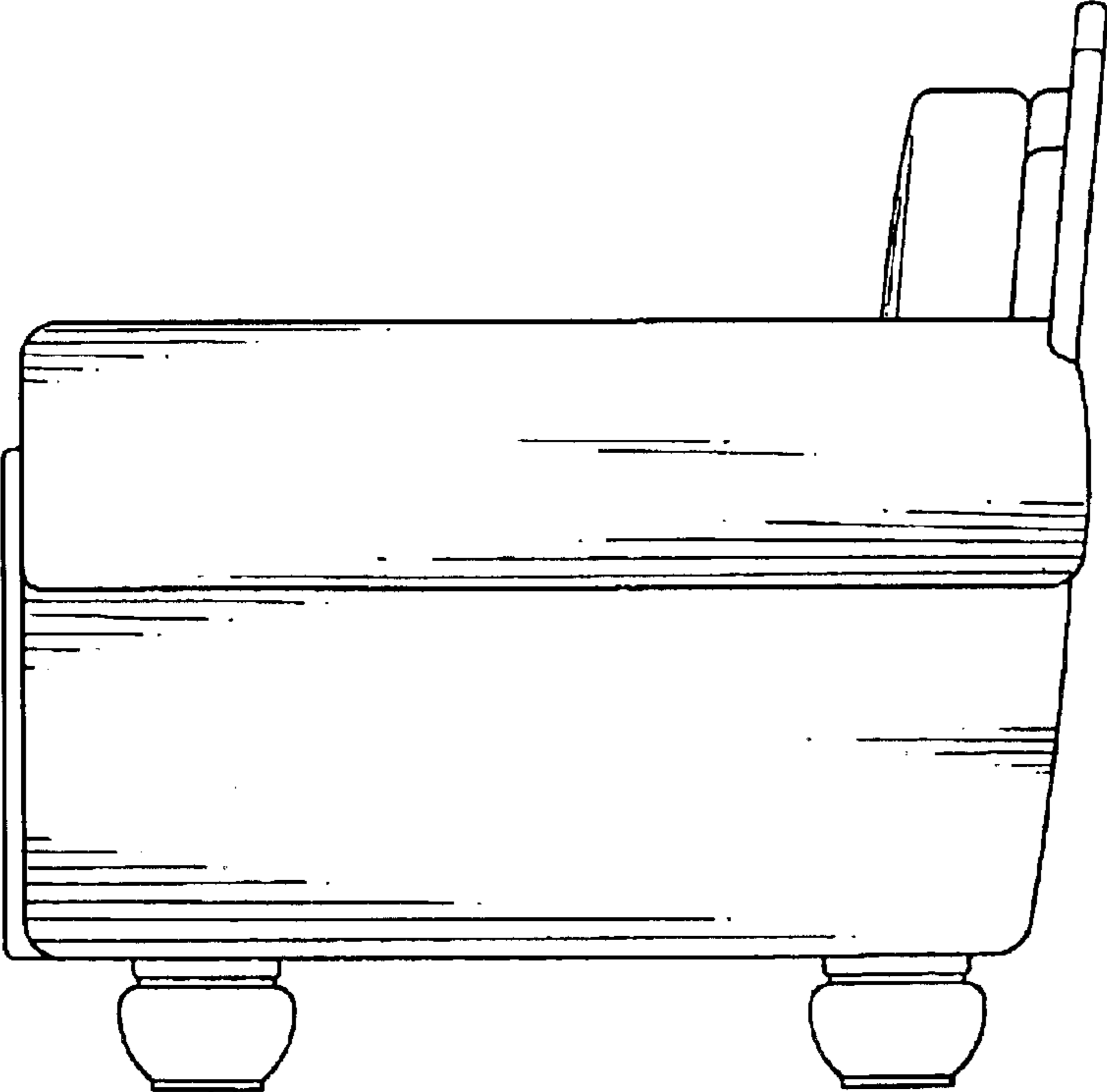


FIG. 5

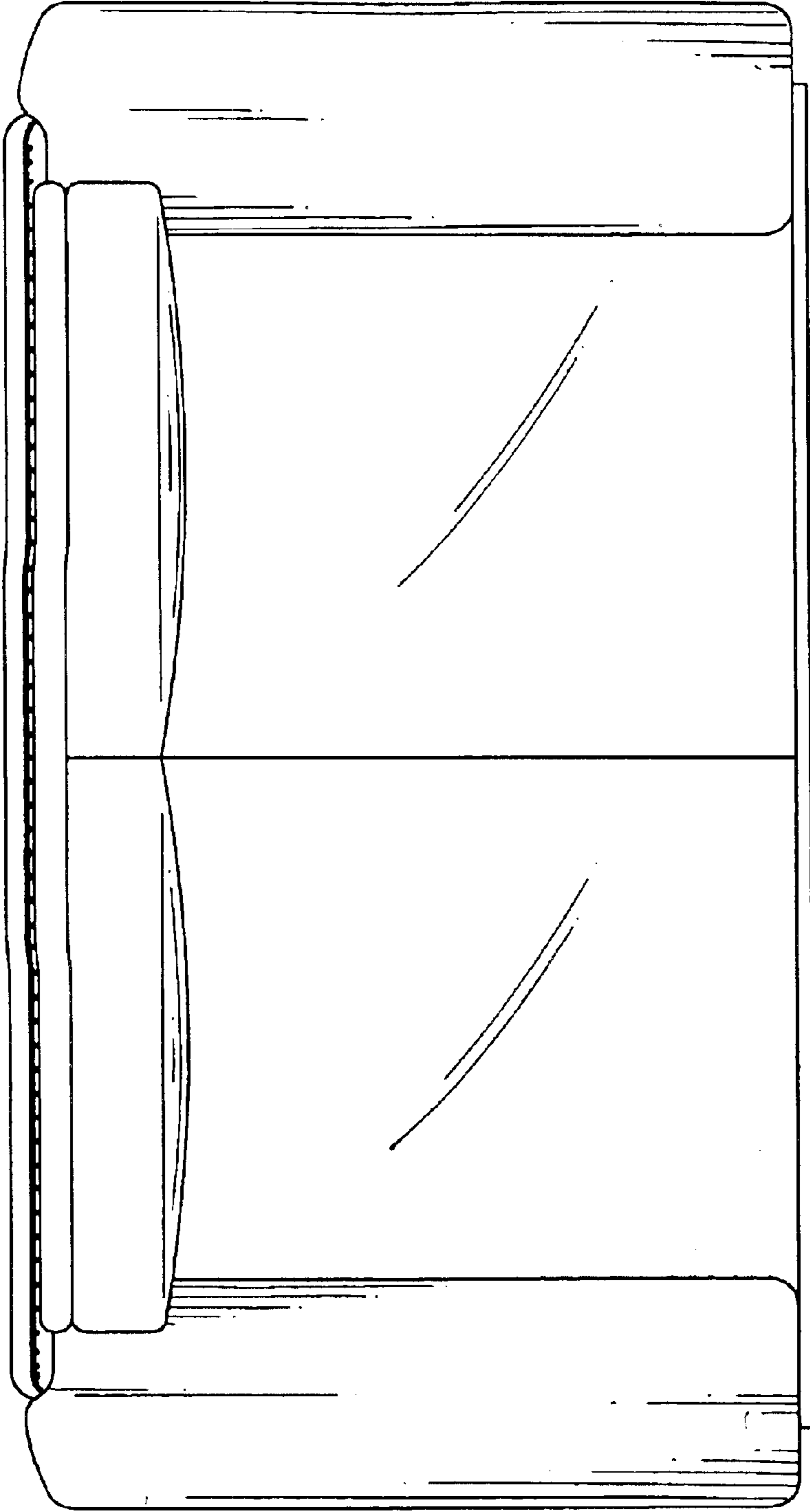


FIG.6

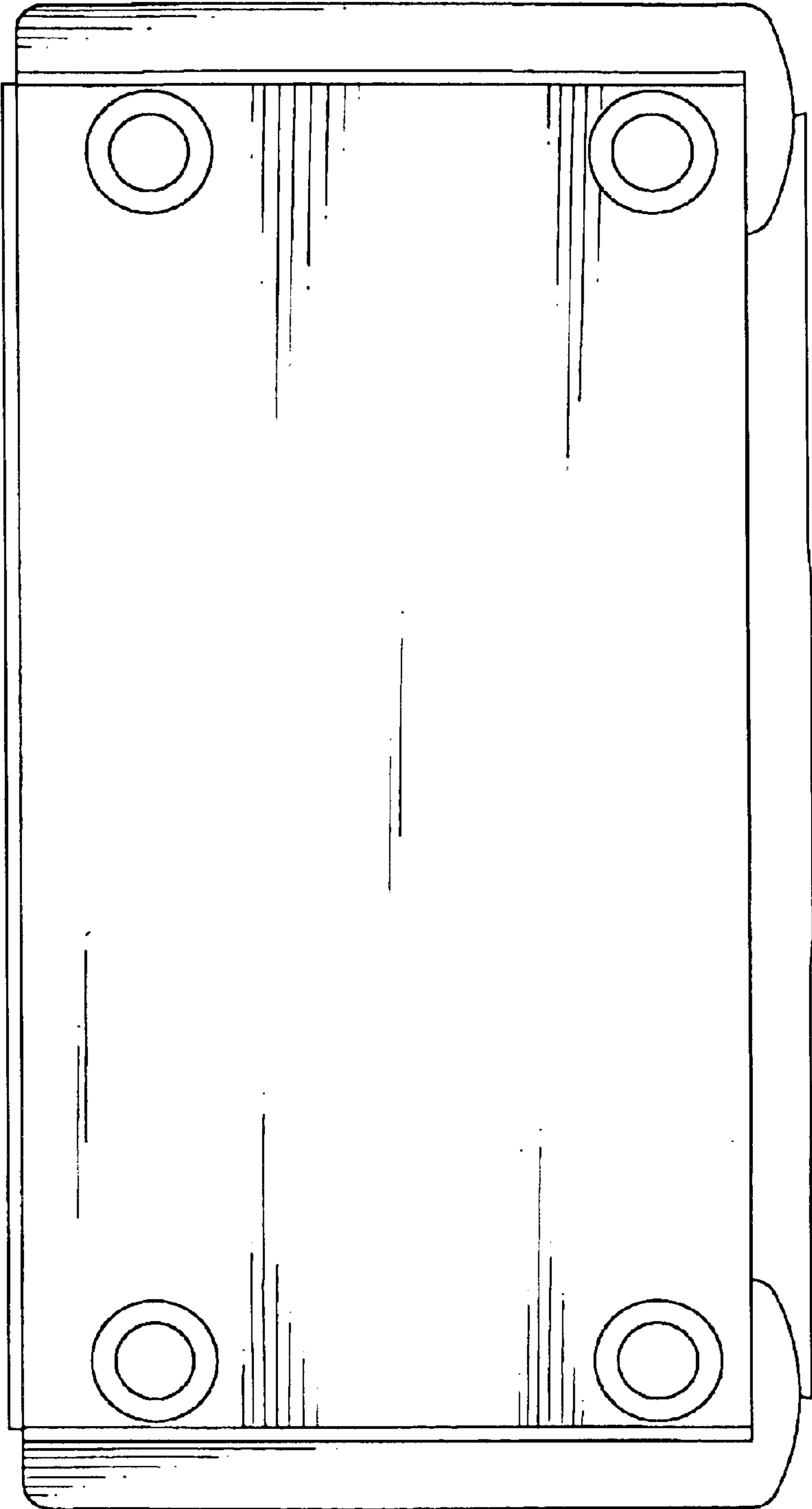


FIG.7