



US00D499571S

(12) **United States Design Patent**
Mohundro

(10) **Patent No.:** **US D499,571 S**

(45) **Date of Patent:** **** Dec. 14, 2004**

(54) **LOVESEAT**

(75) **Inventor:** **James Glenn Mohundro, Taichung (TW)**

(73) **Assignee:** **Pacific Marketing International (H.K.) Ltd., Taichung (TW)**

(**) **Term:** **14 Years**

(21) **Appl. No.:** **29/203,526**

(22) **Filed:** **Apr. 16, 2004**

(51) **LOC (7) Cl.** **06-01**

(52) **U.S. Cl.** **D6/381**

(58) **Field of Search** D6/334, 335, 336, D6/364, 371, 381, 500-502; 5/12.1; 297/232

(56) **References Cited**

U.S. PATENT DOCUMENTS

- D422,159 S * 4/2000 Lewis D6/381
- D431,924 S * 10/2000 Natuzzi et al. D6/381
- D438,721 S * 3/2001 Binder et al. D6/381

- D459,607 S * 7/2002 Gibson D6/381
- D475,217 S * 6/2003 Ricci D6/381
- D490,999 S * 6/2004 Ricci D6/381

* cited by examiner

Primary Examiner—Gary D. Watson

(74) *Attorney, Agent, or Firm*—Rosenberg, Klein & Lee

(57) **CLAIM**

The ornamental design for a loveseat, as shown and described.

DESCRIPTION

FIG. 1 is a perspective view of a loveseat, showing my new design;

FIG. 2 is a front elevational view thereof;

FIG. 3 is a rear elevational view thereof;

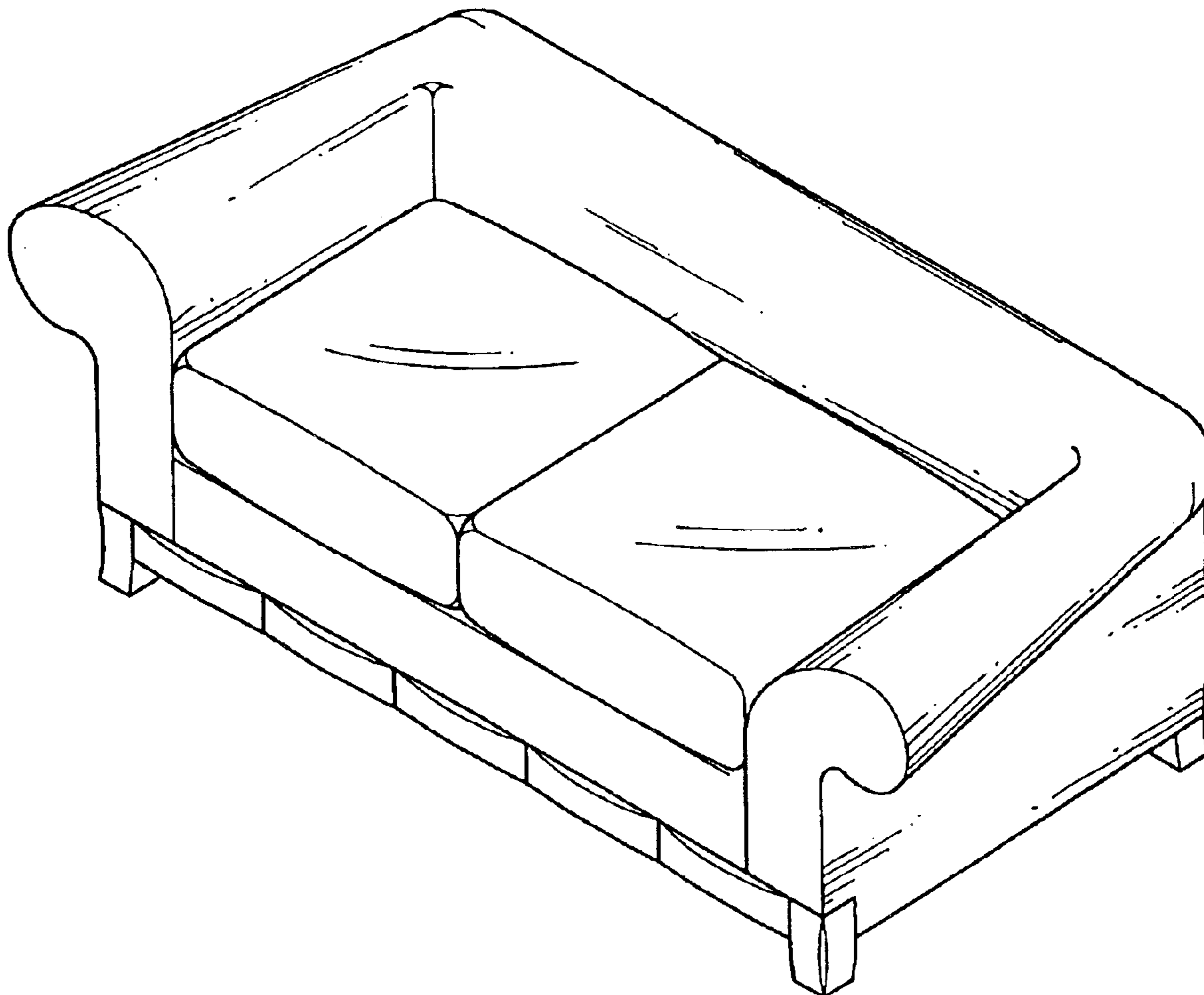
FIG. 4 is a left elevational view thereof; and,

FIG. 5 is a right elevational view thereof;

FIG. 6 is a top plan view thereof; and,

FIG. 7 is a bottom plan view thereof.

1 Claim, 6 Drawing Sheets



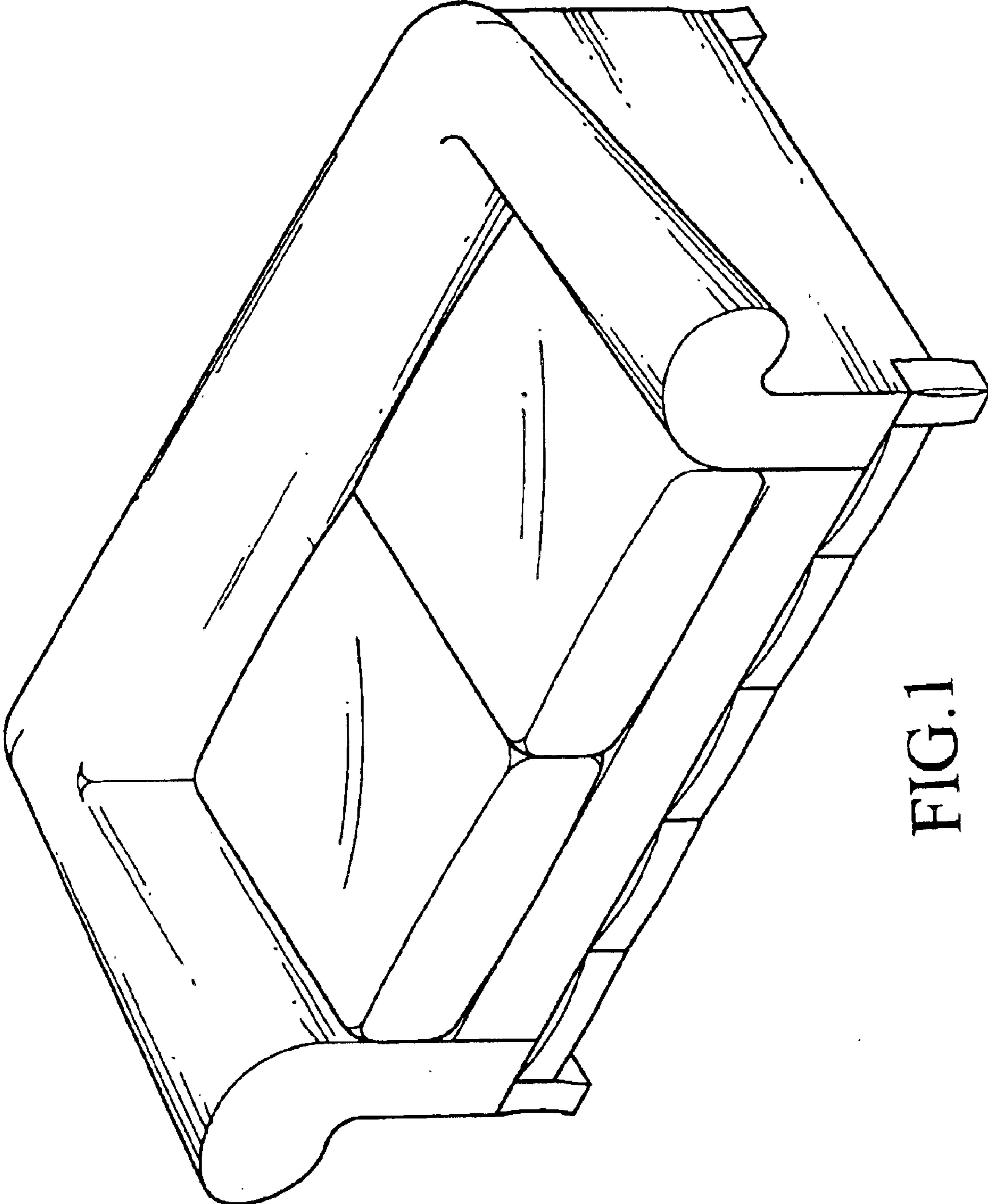


FIG.1

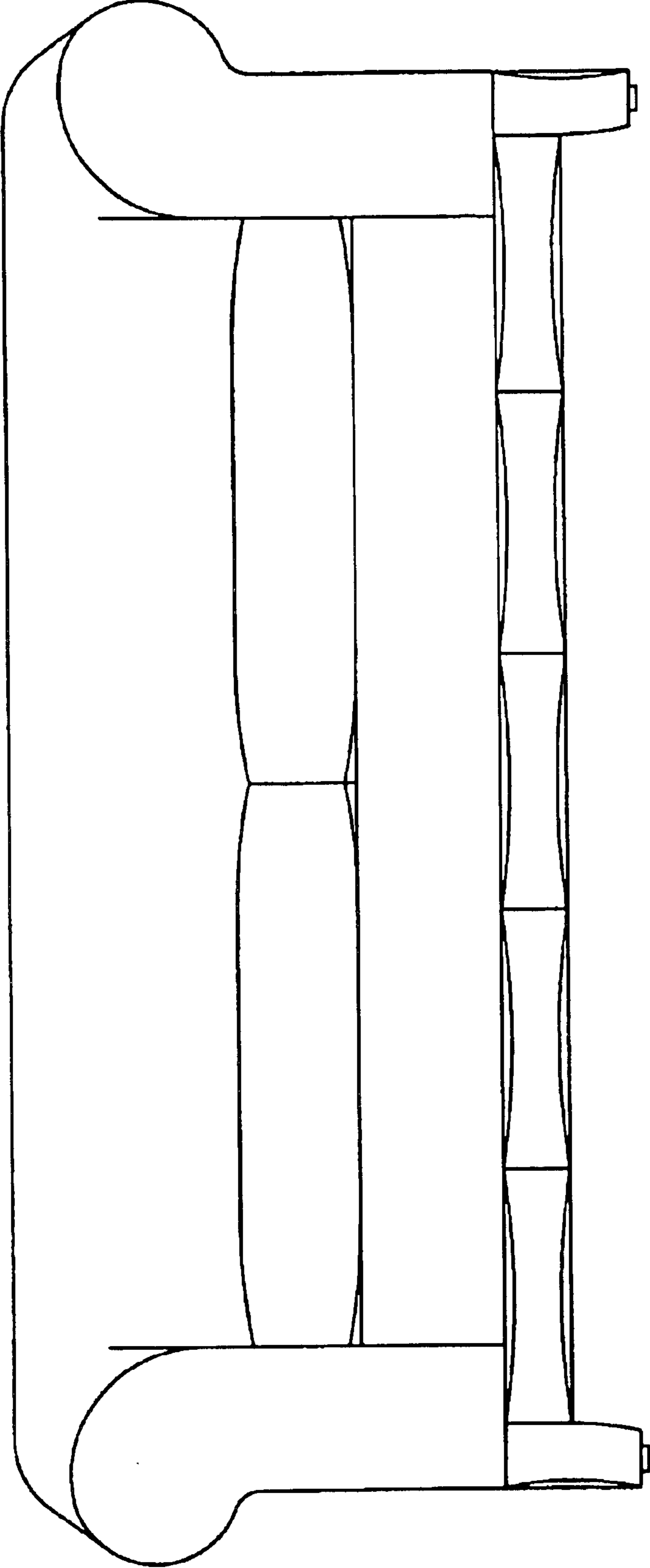


FIG.2

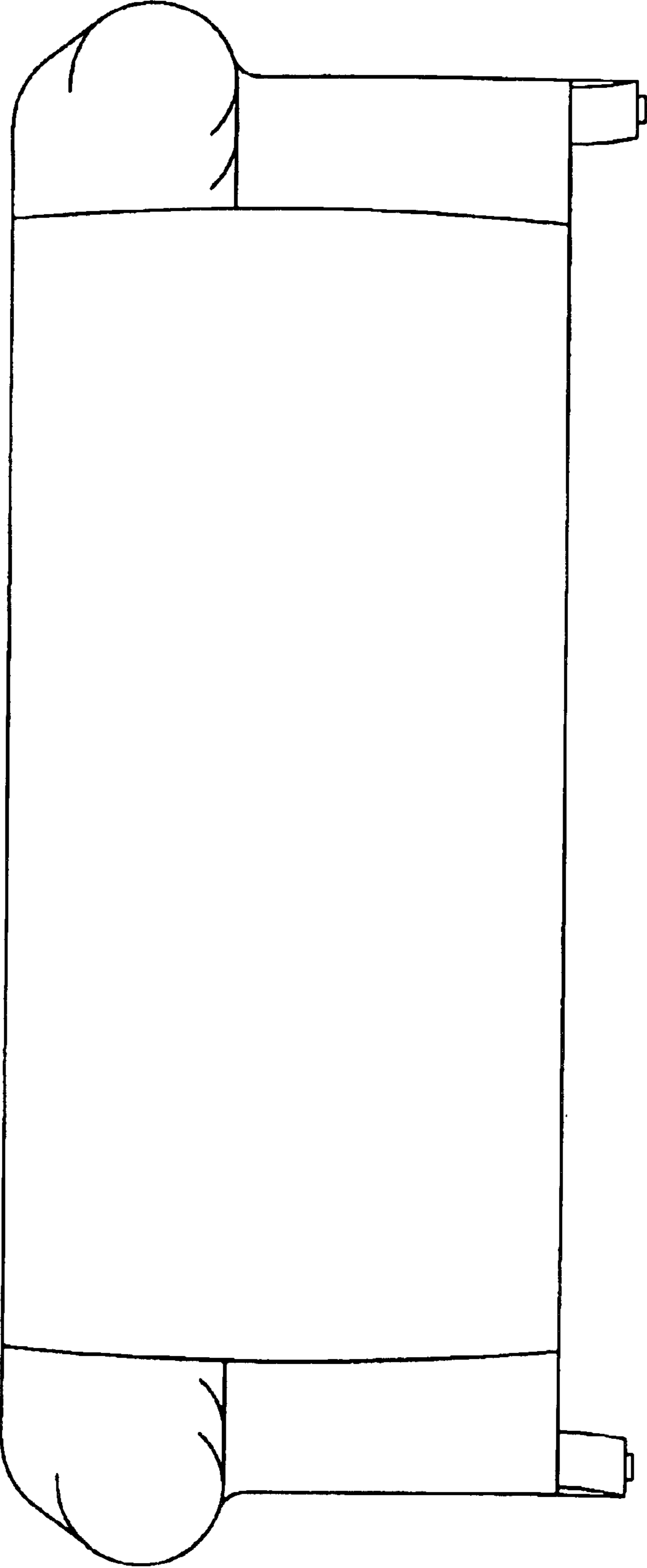


FIG. 3

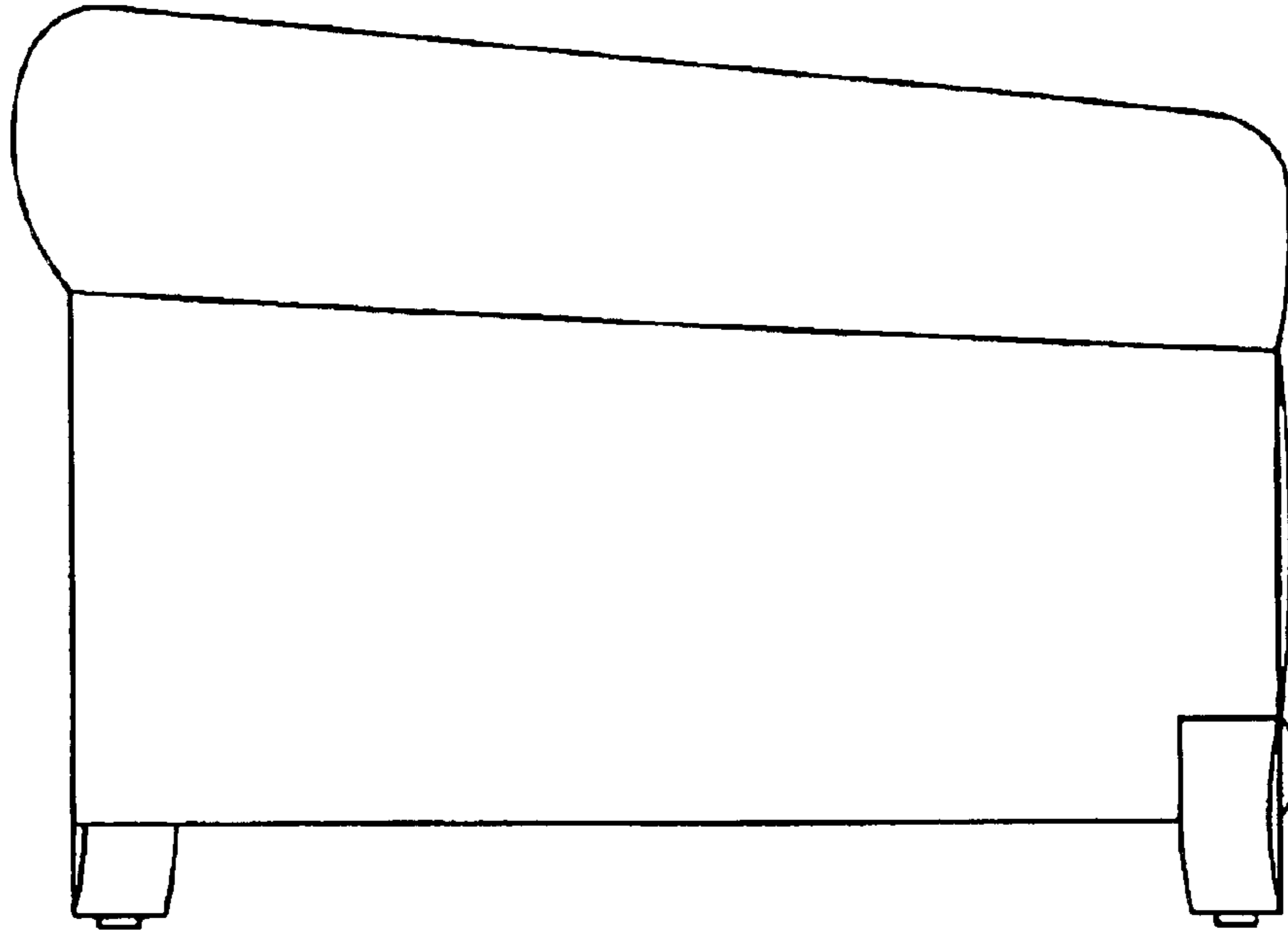


FIG. 4

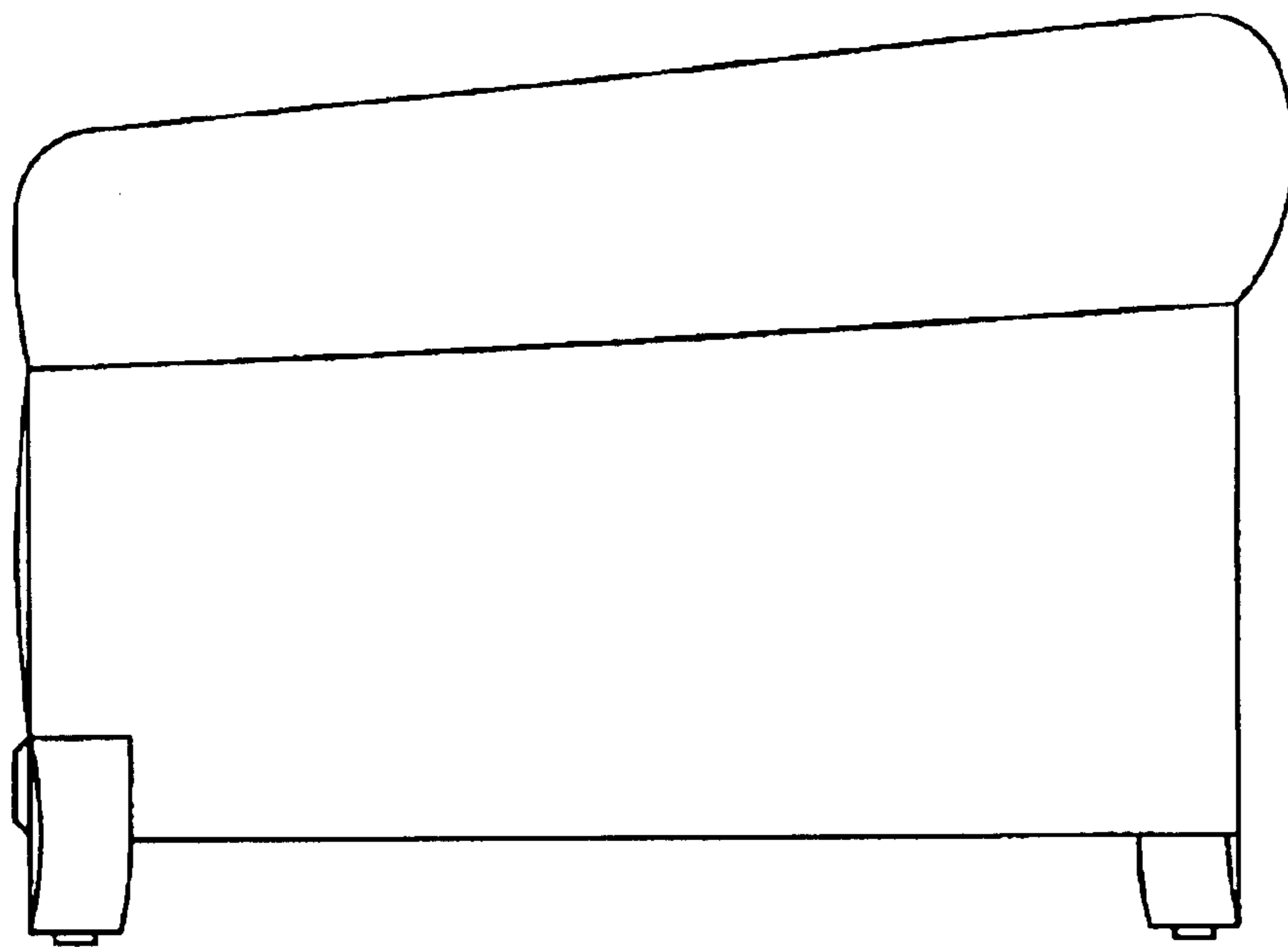


FIG. 5

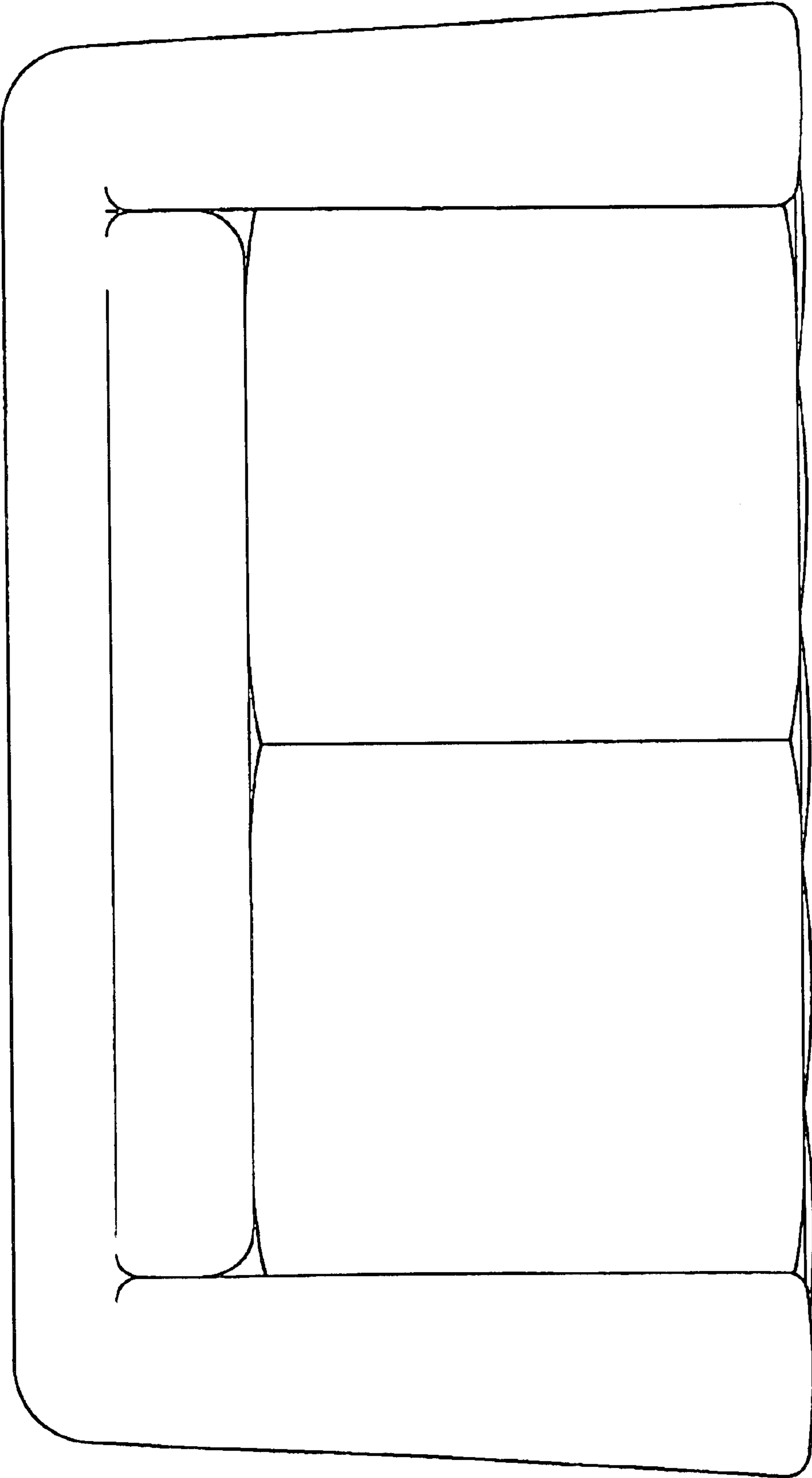


FIG.6

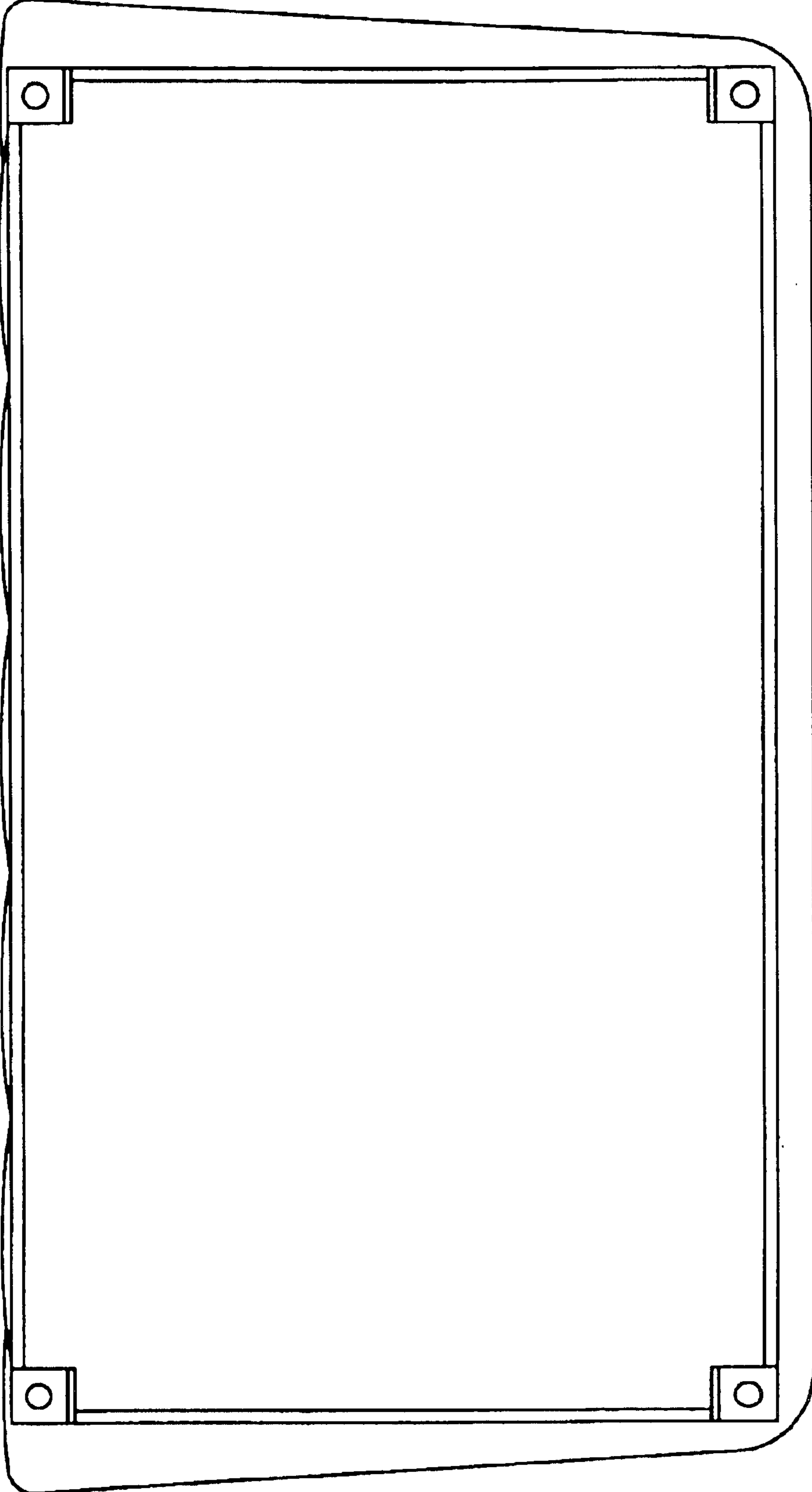


FIG.7