

US00D499565S

(12) **United States Design Patent** (10) **Patent No.:** **US D499,565 S**  
**Portman, Jr.** (45) **Date of Patent:** **\*\* Dec. 14, 2004**

(54) **CHAIR FRAME**

(76) **Inventor:** **John C. Portman, Jr.**, 303 Peachtree St., Suite 4600, Atlanta, GA (US) 30308

(\*\*) **Term:** **14 Years**

(21) **Appl. No.:** **29/192,870**

(22) **Filed:** **Oct. 31, 2003**

(51) **LOC (7) Cl.** ..... **06-01**

(52) **U.S. Cl.** ..... **D6/380; D6/379**

(58) **Field of Search** ..... D6/334, 335, 344, D6/363, 370, 371, 372, 373, 374, 376, 379, 380, 500-502; 297/445.4, 447.2

(56) **References Cited**

**U.S. PATENT DOCUMENTS**

D90,705 S	*	9/1933	Goodman	.....	D6/371
D150,684 S	*	8/1948	Eames	.....	D6/374
D150,894 S	*	9/1948	Smith	.....	D6/344
D155,274 S	*	9/1949	Eames	.....	D6/374
D188,843 S	*	9/1960	Kagan	.....	D6/363
5,511,855 A	*	4/1996	Miles	.....	297/447.2

\* cited by examiner

*Primary Examiner*—Gary D. Watson  
(74) *Attorney, Agent, or Firm*—Finnegan, Henderson, Farabow, Garrett & Dunner, LLP

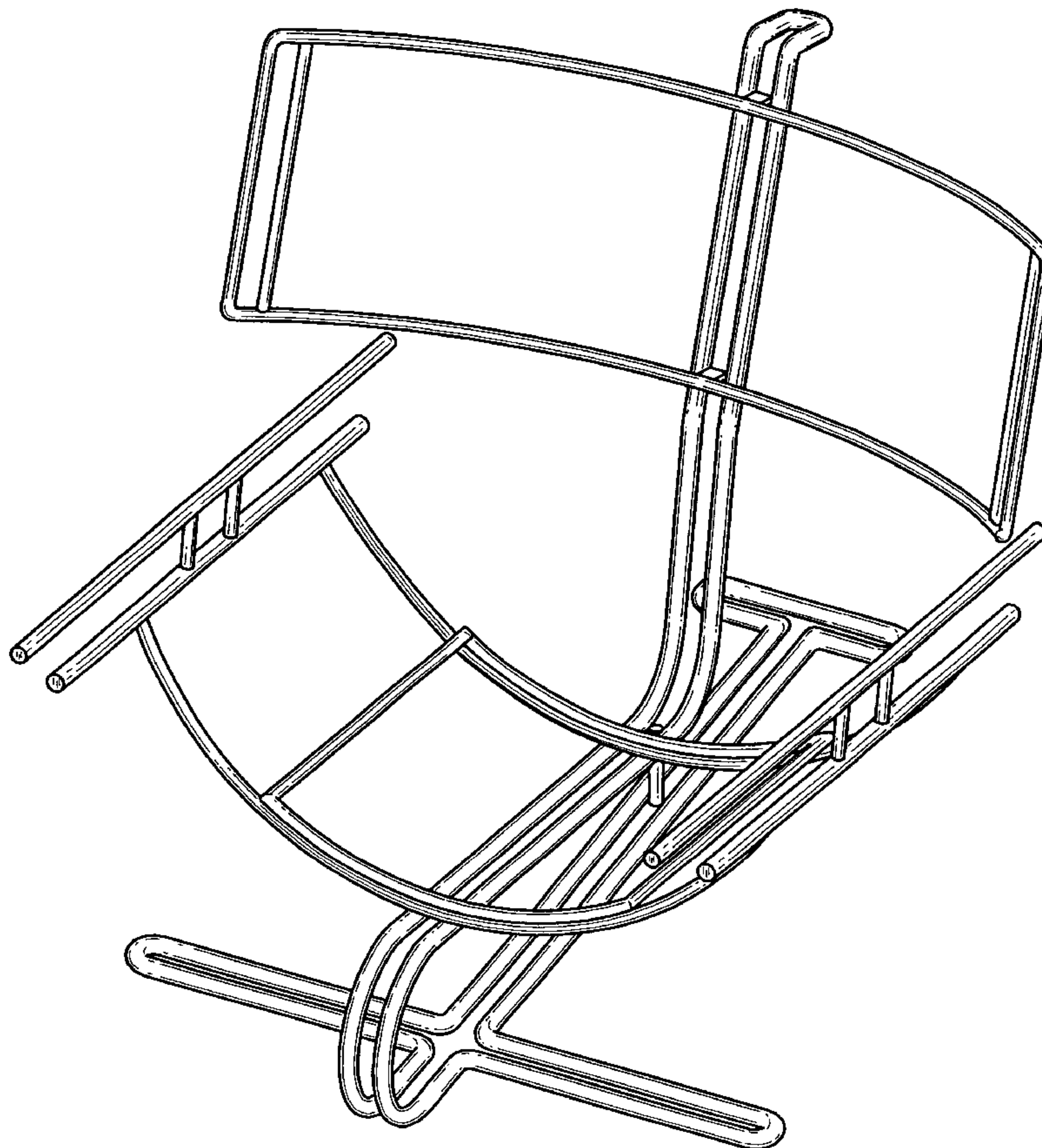
(57) **CLAIM**

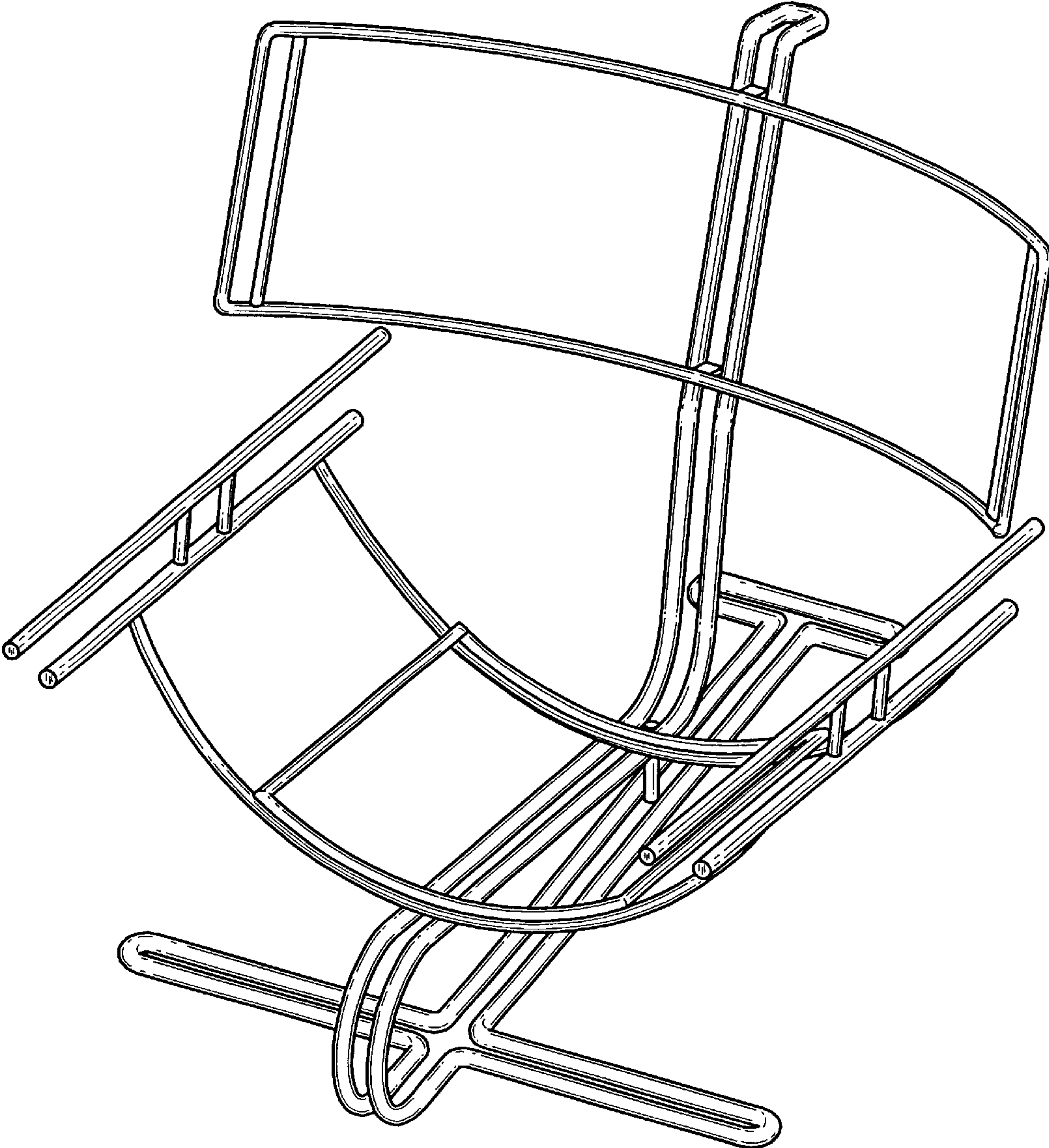
The ornamental design for the chair frame, as shown and described.

**DESCRIPTION**

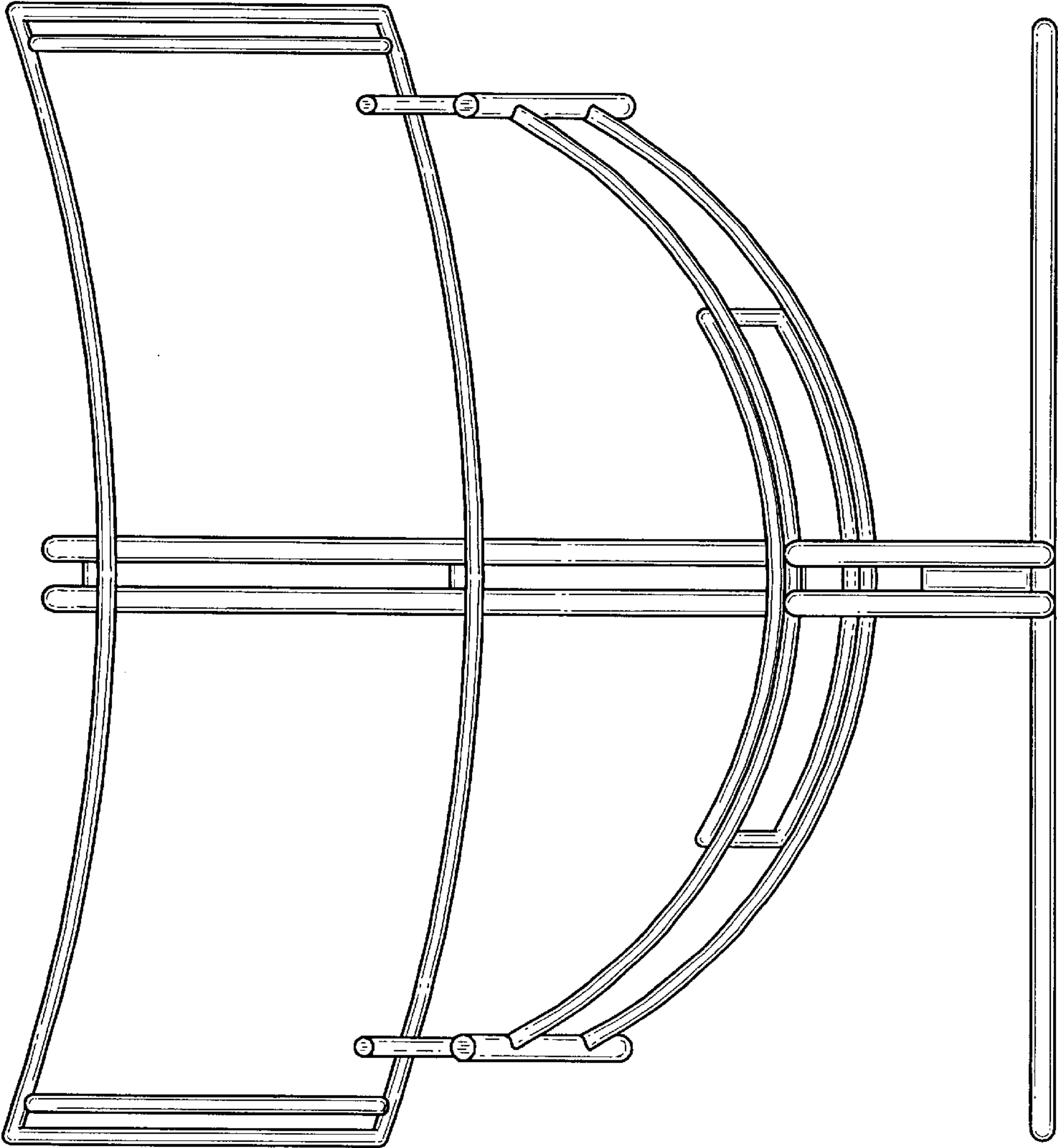
FIG. 1 is a left-side, front-perspective view of a chair frame of my new design;  
 FIG. 2 is a front view of my new design;  
 FIG. 3 is a rear view of my new design;  
 FIG. 4 is a left-side view of my new design, the right-side view being a mirror image thereof;  
 FIG. 5 is a top-plan view of my new design;  
 FIG. 6 is a bottom-plan view of my new design; and,  
 FIG. 7 a left-side, front-perspective view of my new design, with the configuration of components that would comprise a complete chair shown in dashed lines. The portion of FIG. 7 shown in dashed lines merely depicts environment, and forms no part of the claimed design.

**1 Claim, 7 Drawing Sheets**

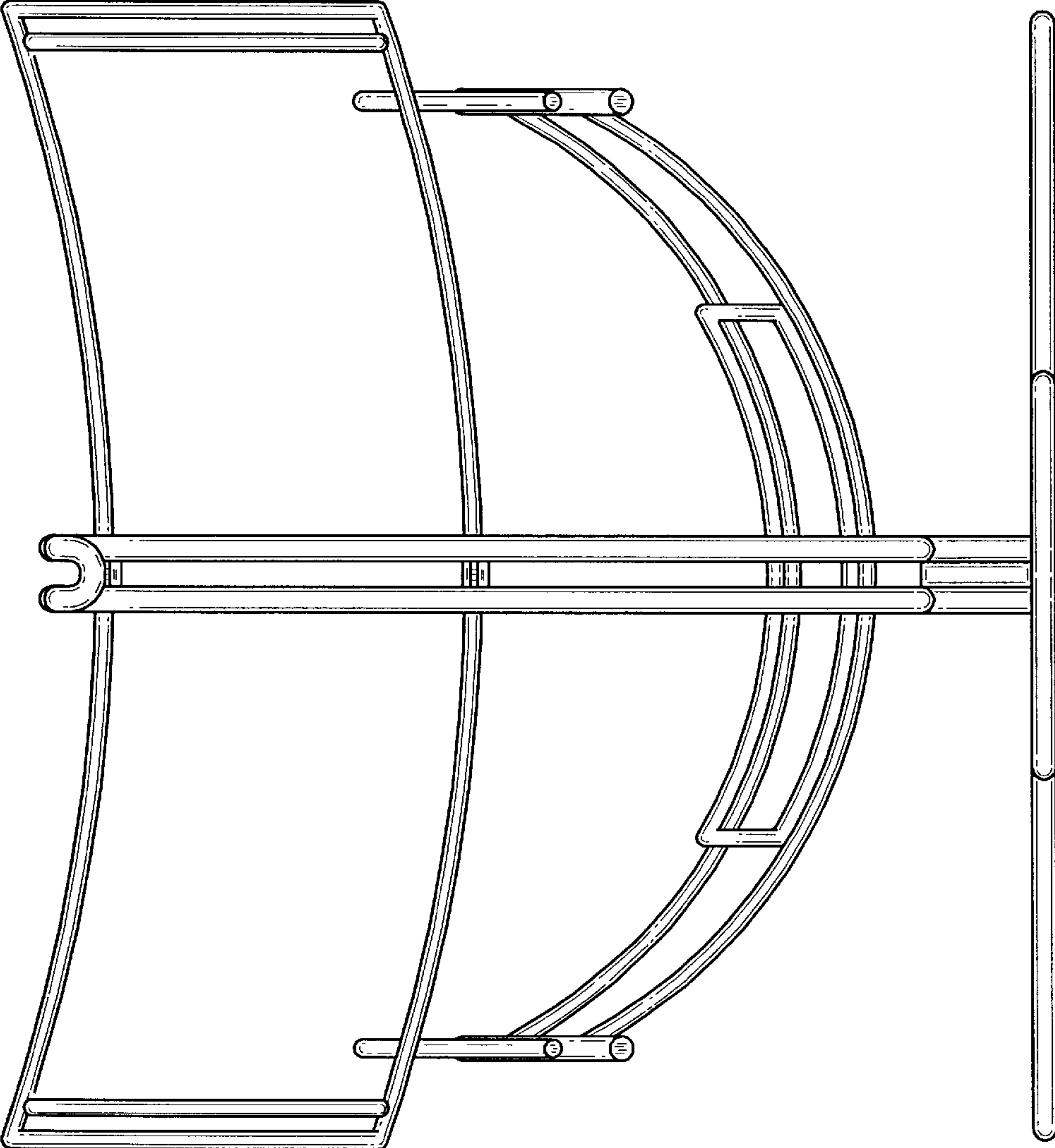




**FIG. 1**

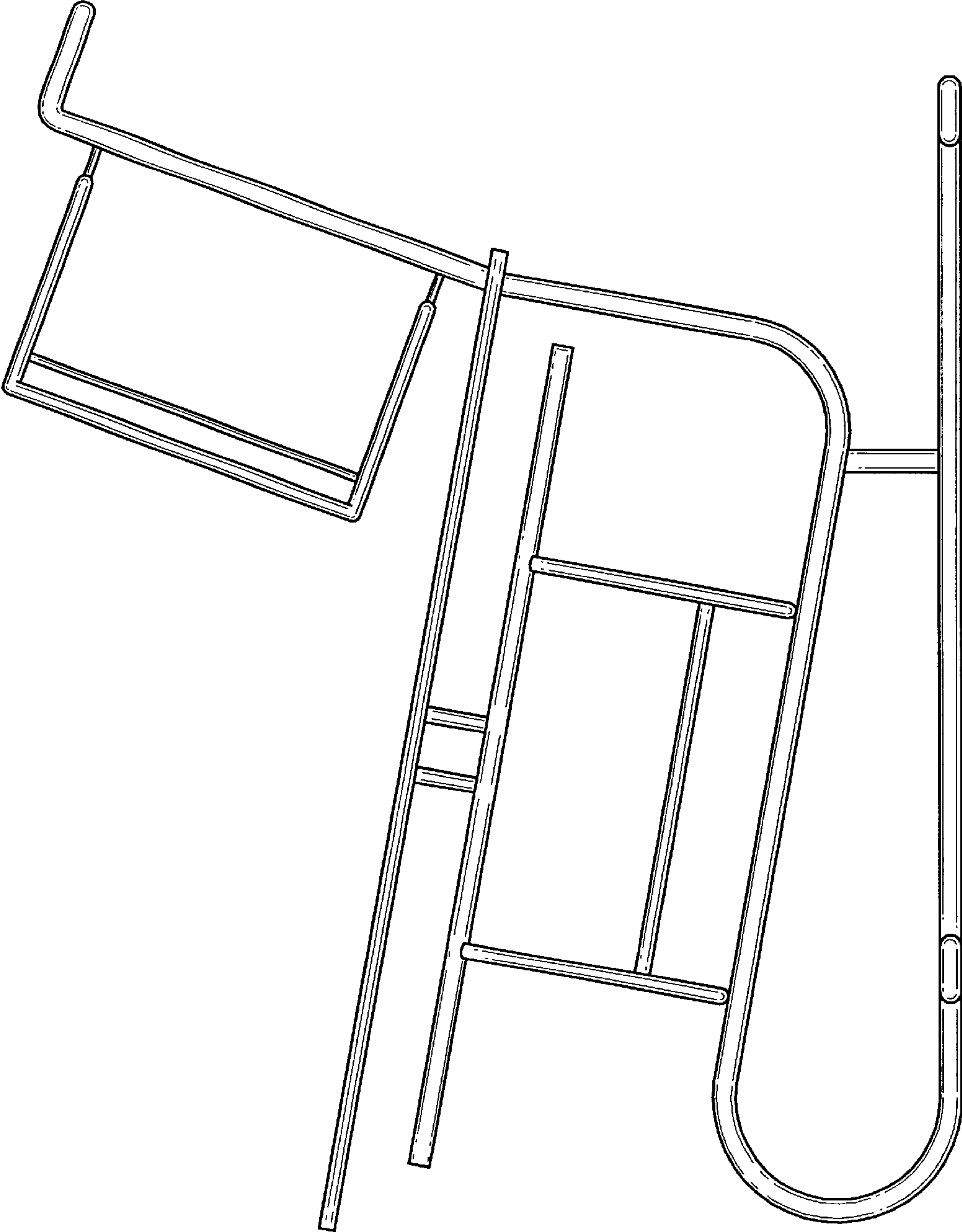


**FIG. 2**



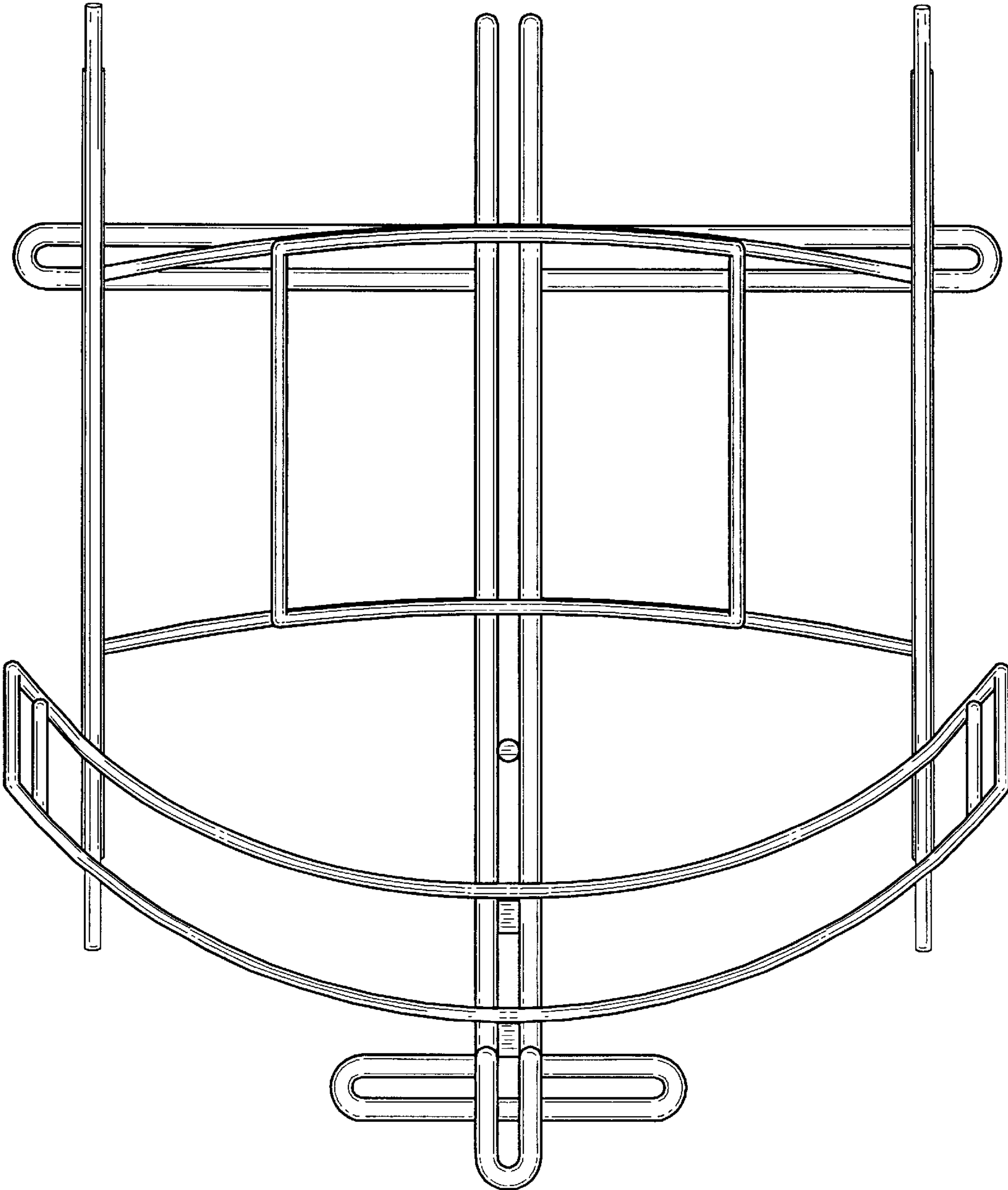
**FIG. 3**

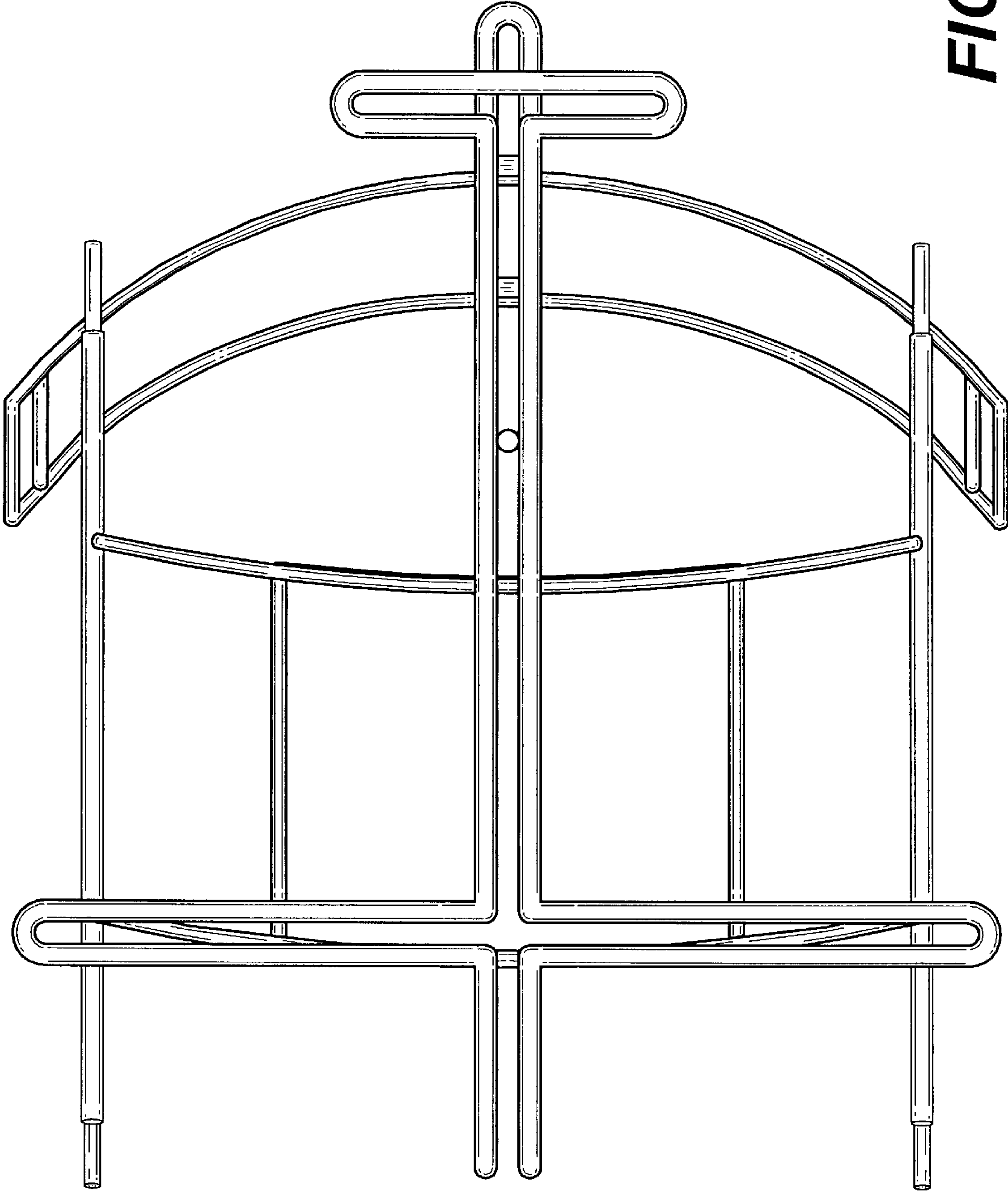




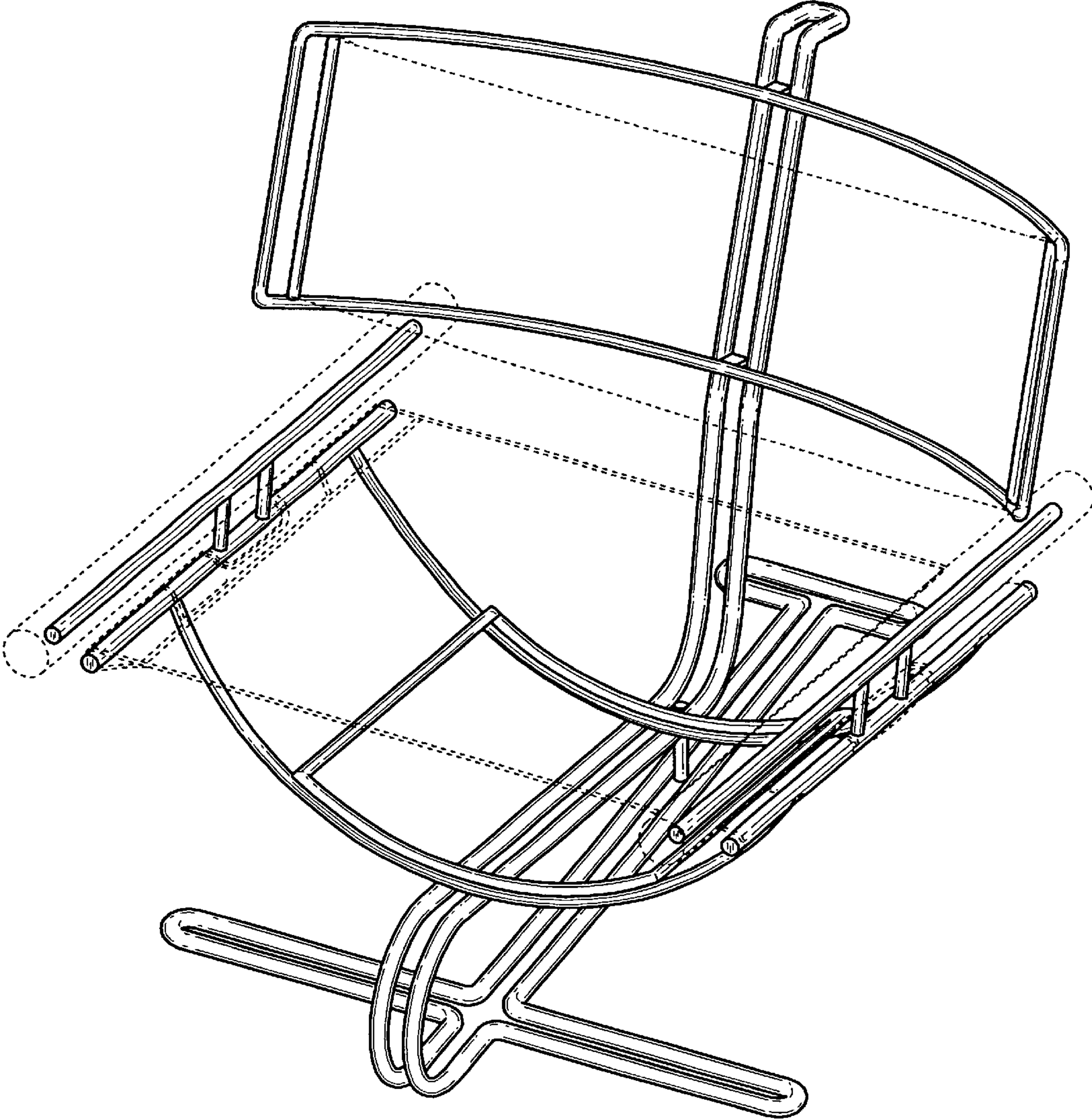
**FIG. 4**

FIG. 5





**FIG. 6**



**FIG. 7**