

US00D499564S

(12) **United States Design Patent**
Meda

(10) **Patent No.:** **US D499,564 S**
(45) **Date of Patent:** **** Dec. 14, 2004**

(54) **CHAIR**

(75) **Inventor:** **Alberto Meda, Milan (IT)**

(73) **Assignee:** **Vitra Patente AG, MuttENZ (CH)**

(**) **Term:** **14 Years**

(21) **Appl. No.:** **29/179,491**

(22) **Filed:** **Apr. 10, 2003**

(30) **Foreign Application Priority Data**

Oct. 22, 2002 (WO) DM/062087

(51) **LOC (7) Cl.** **06-01**

(52) **U.S. Cl.** **D6/366**

(58) **Field of Search** D6/334, 335, 364,
D6/365, 366, 367, 500, 501, 502; 297/411.2,
411.27, 411.36, 463.2

(56) **References Cited**

U.S. PATENT DOCUMENTS

| | | | |
|-------------|-----------|----------------|--------|
| D410,799 S | 6/1999 | Meda | |
| D417,792 S | 12/1999 | Hansen | |
| 6,149,236 A | 11/2000 | Brauning | |
| D436,456 S | * 1/2001 | Neil | D6/366 |
| D437,132 S | * 2/2001 | Nagamitsu | D6/366 |
| D437,497 S | 2/2001 | Brauning | |
| D437,701 S | * 2/2001 | Bellini et al. | D6/366 |
| D445,581 S | * 7/2001 | Su | D6/366 |
| D449,173 S | 10/2001 | Chang | |
| D451,293 S | * 12/2001 | Su | D6/366 |
| D451,294 S | * 12/2001 | Simons et al. | D6/366 |

| | | | | |
|--------------|---|---------|----------------|--------|
| D453,079 S | * | 1/2002 | Ma | D6/366 |
| D456,626 S | * | 5/2002 | Su | D6/366 |
| D462,188 S | * | 9/2002 | Su | D6/366 |
| D474,040 S | | 5/2003 | Meda | |
| 6,557,939 B1 | | 5/2003 | Brauning | |
| D479,655 S | * | 9/2003 | Bellini et al. | D6/366 |
| D479,656 S | * | 9/2003 | Ma | D6/366 |
| D481,879 S | * | 11/2003 | Su | D6/366 |

FOREIGN PATENT DOCUMENTS

| | | |
|----|----------|---------|
| WO | DM037838 | 10/1996 |
| WO | DM045523 | 10/1998 |
| WO | DM045540 | 10/1998 |
| WO | DM053762 | 10/2000 |

* cited by examiner

Primary Examiner—Gary D. Watson

(74) *Attorney, Agent, or Firm*—McCarter & English, LLP

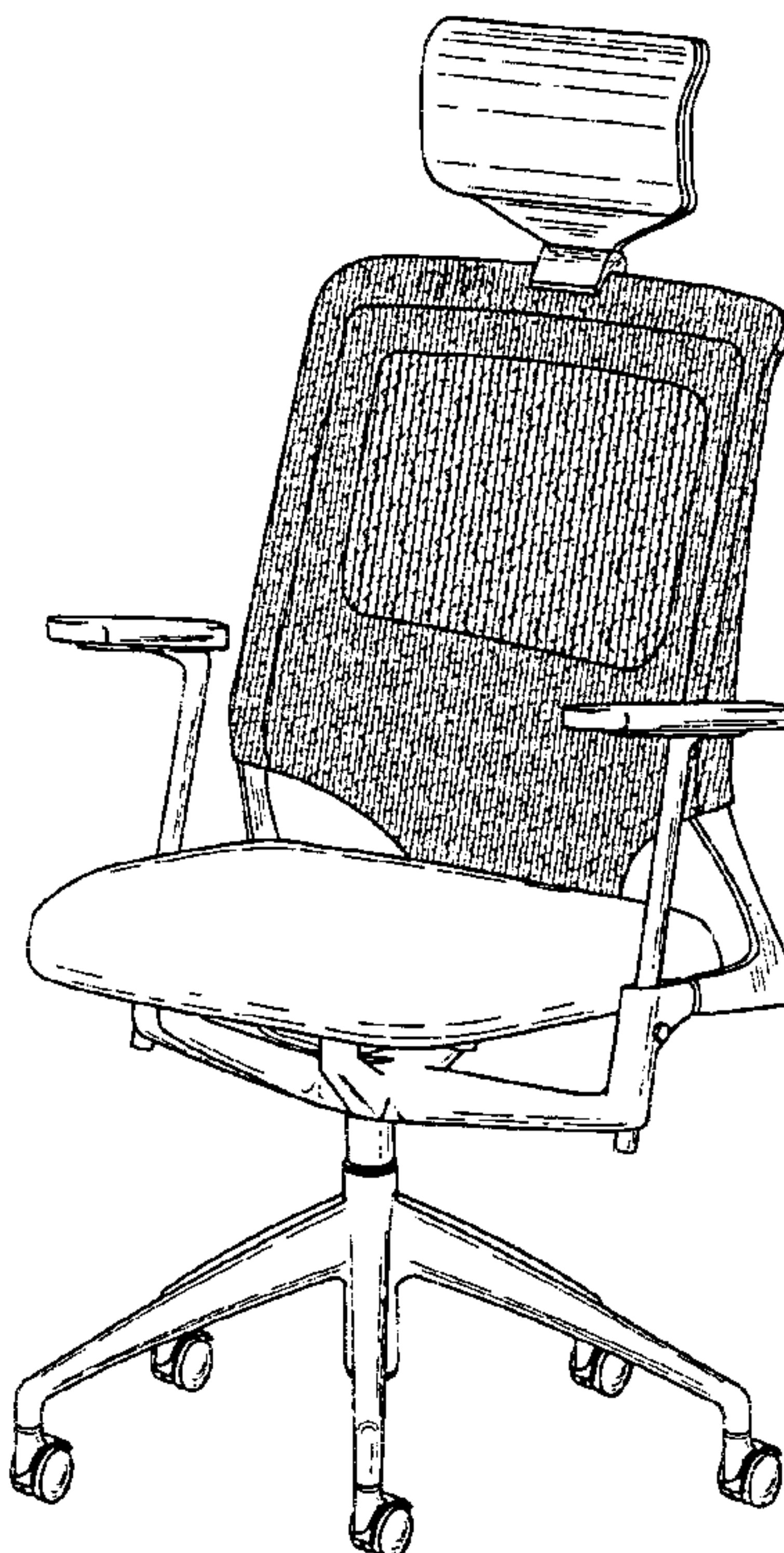
(57) **CLAIM**

The ornamental design for a chair, as shown and described.

DESCRIPTION

FIG. 1 is a front perspective view of a chair showing a new design;
FIG. 2 is a front elevational view thereof;
FIG. 3 is a rear elevational view thereof;
FIG. 4 is a left side elevational view thereof (regarded from the user's position); the right side being a mirror image thereof;
FIG. 5 is a top plan view thereof; and,
FIG. 6 is a bottom plan view thereof.

1 Claim, 3 Drawing Sheets



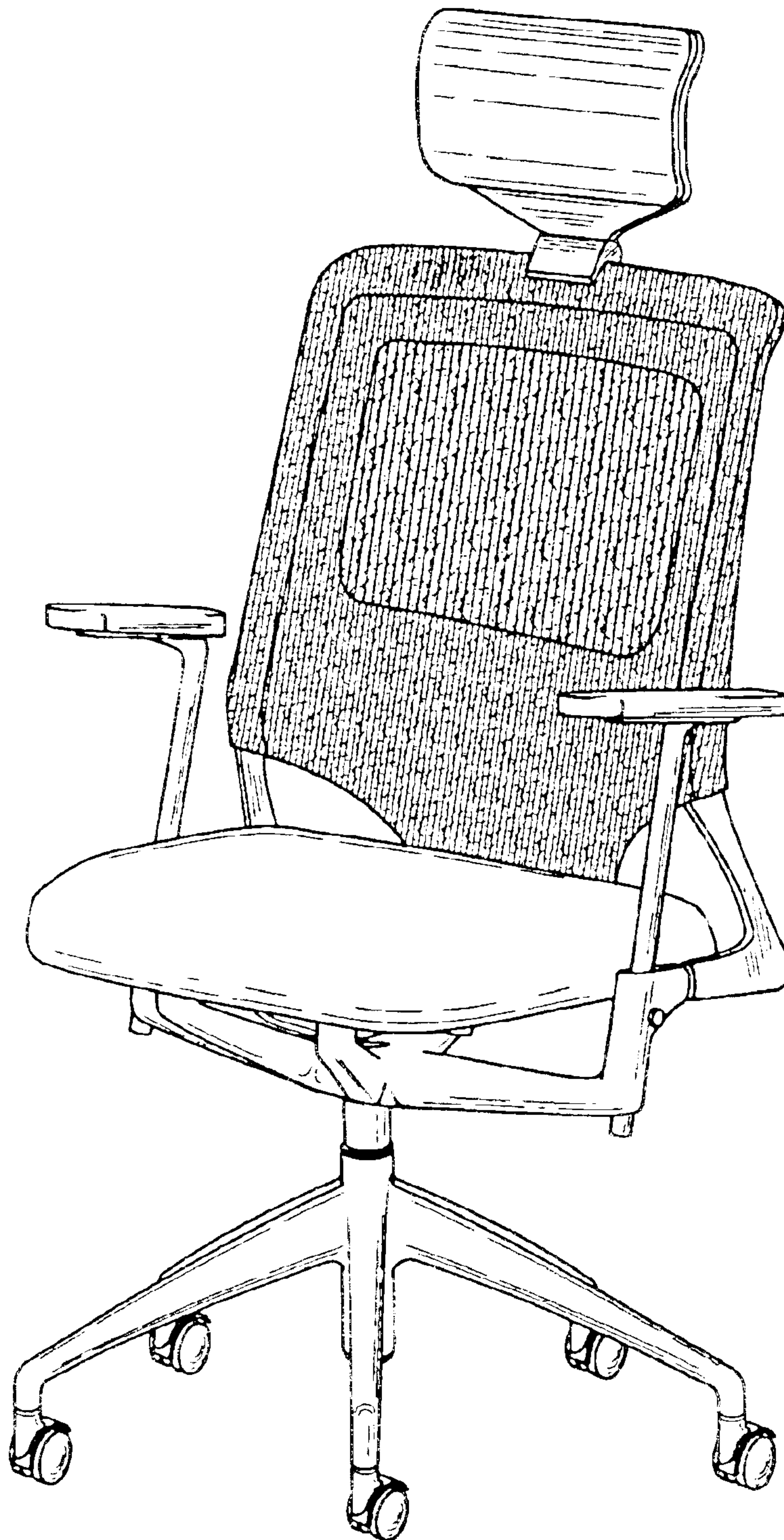


FIG. 1

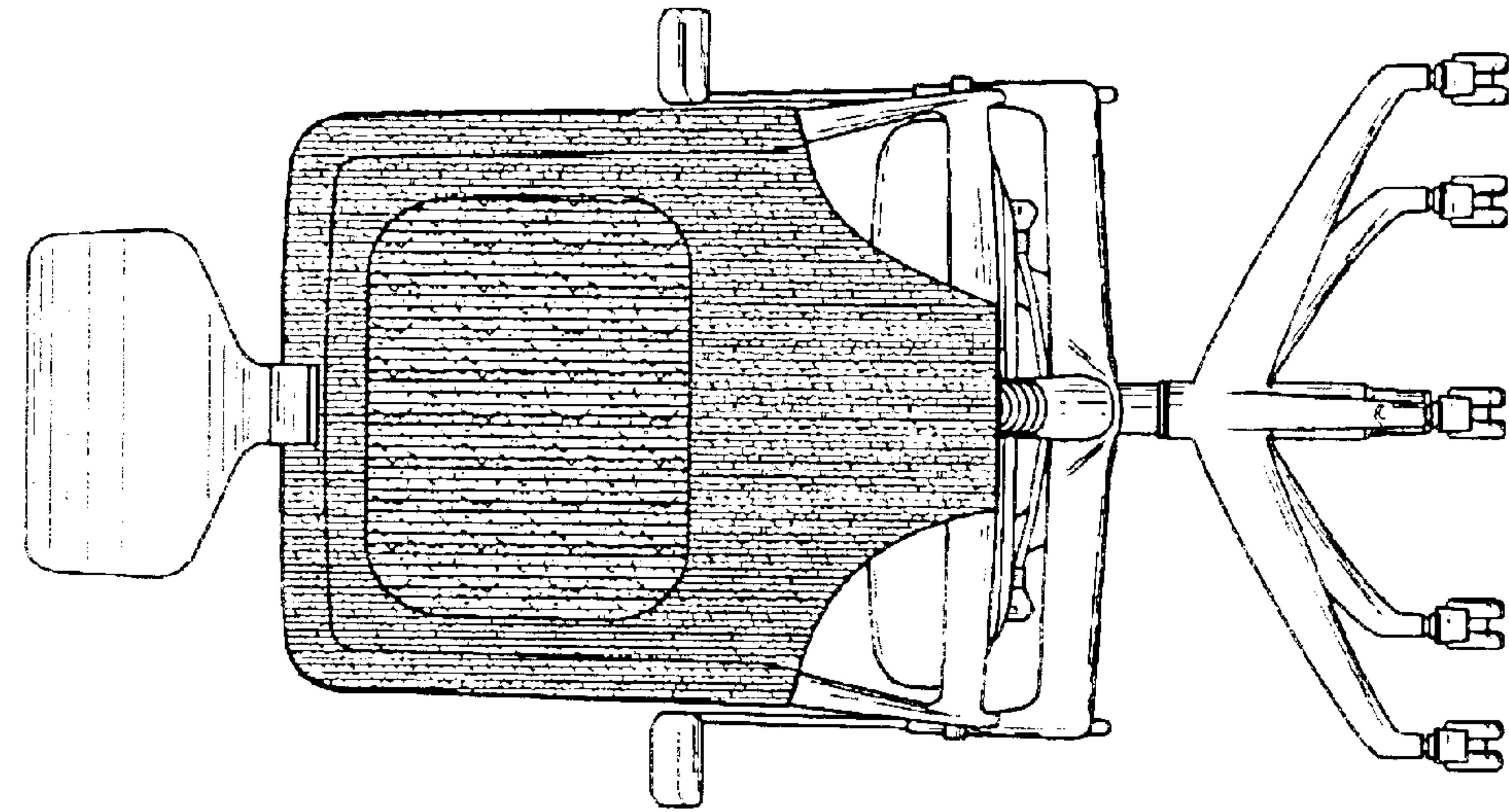


FIG. 2

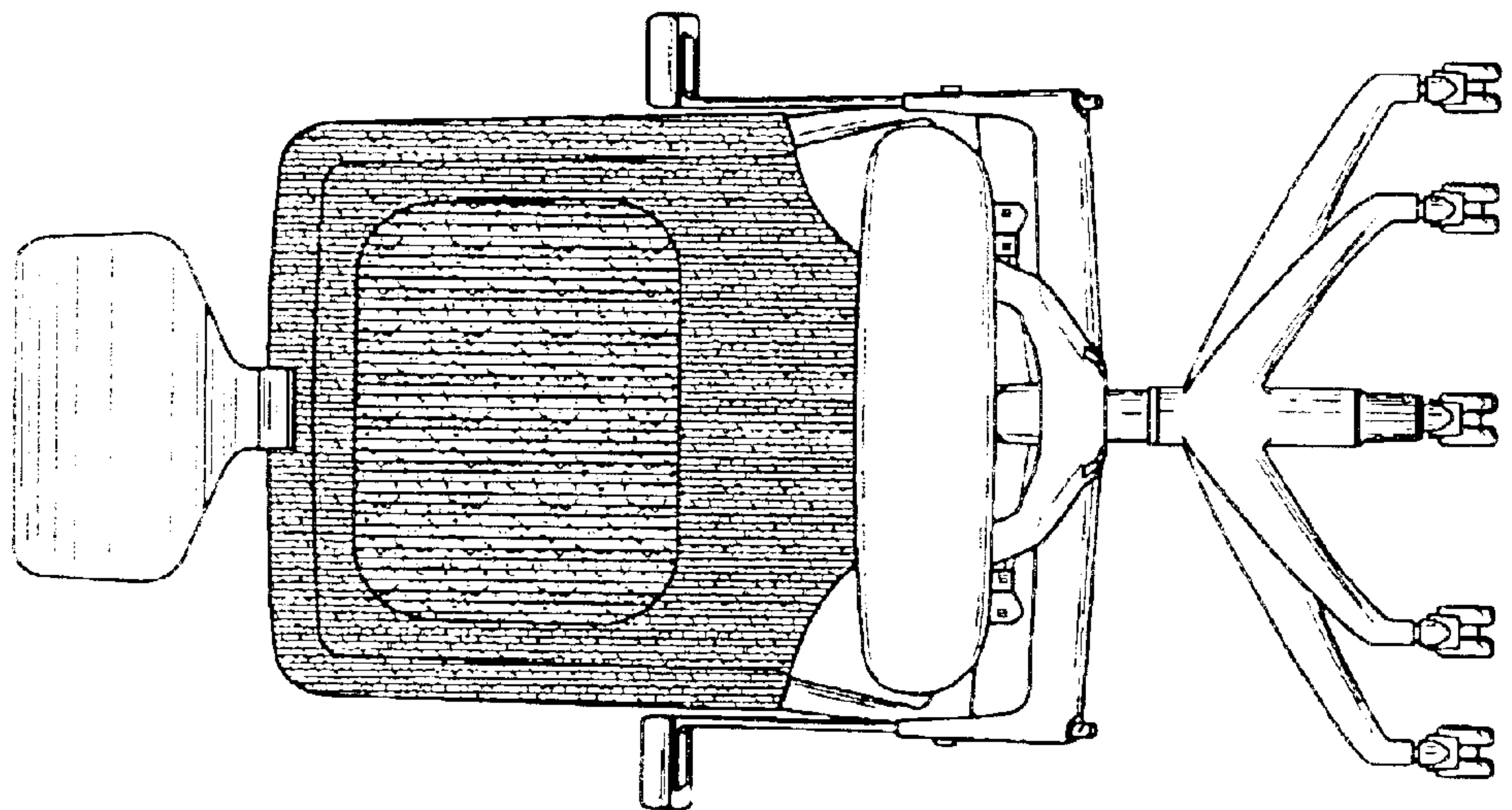


FIG. 3

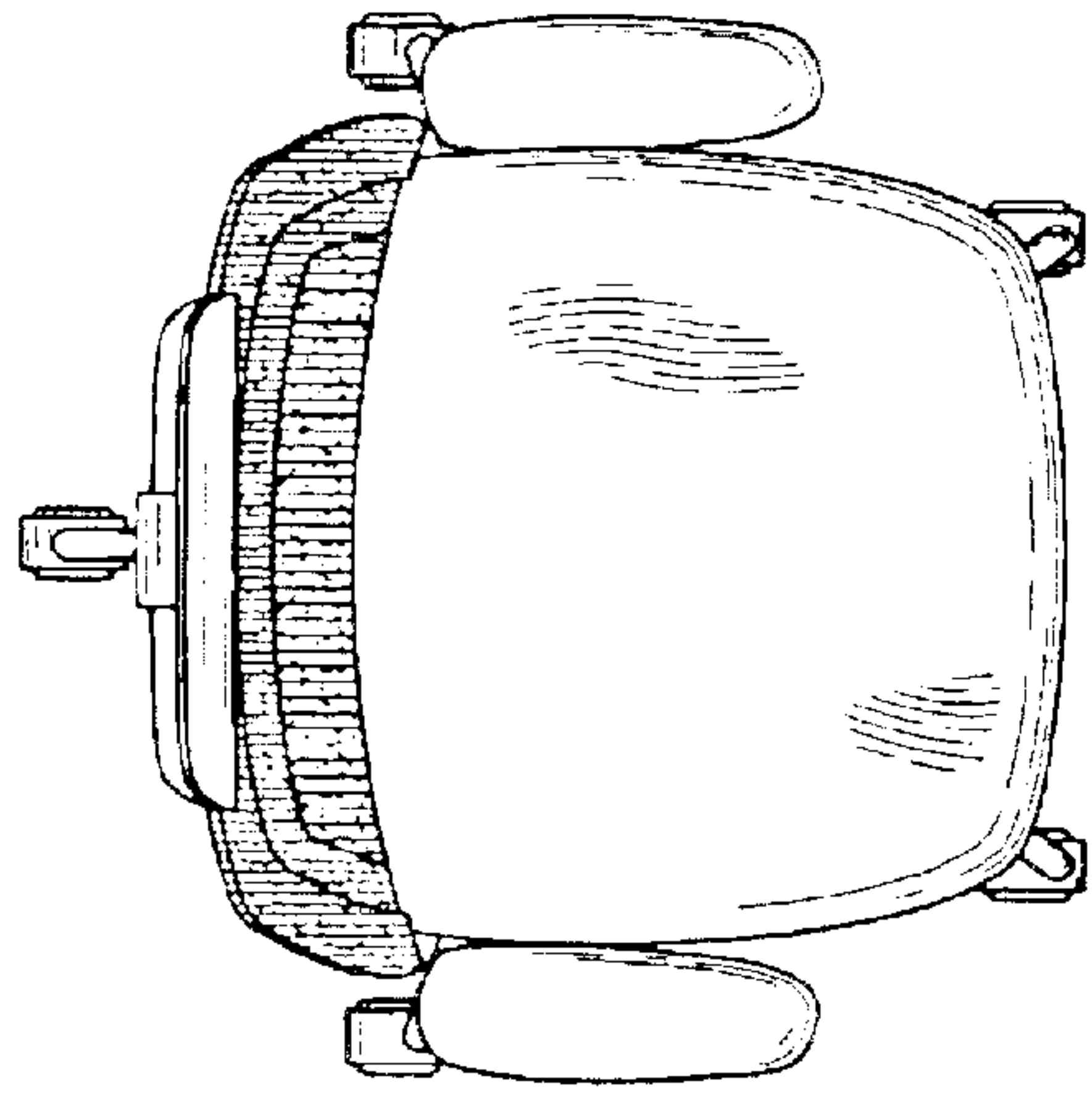


FIG. 5

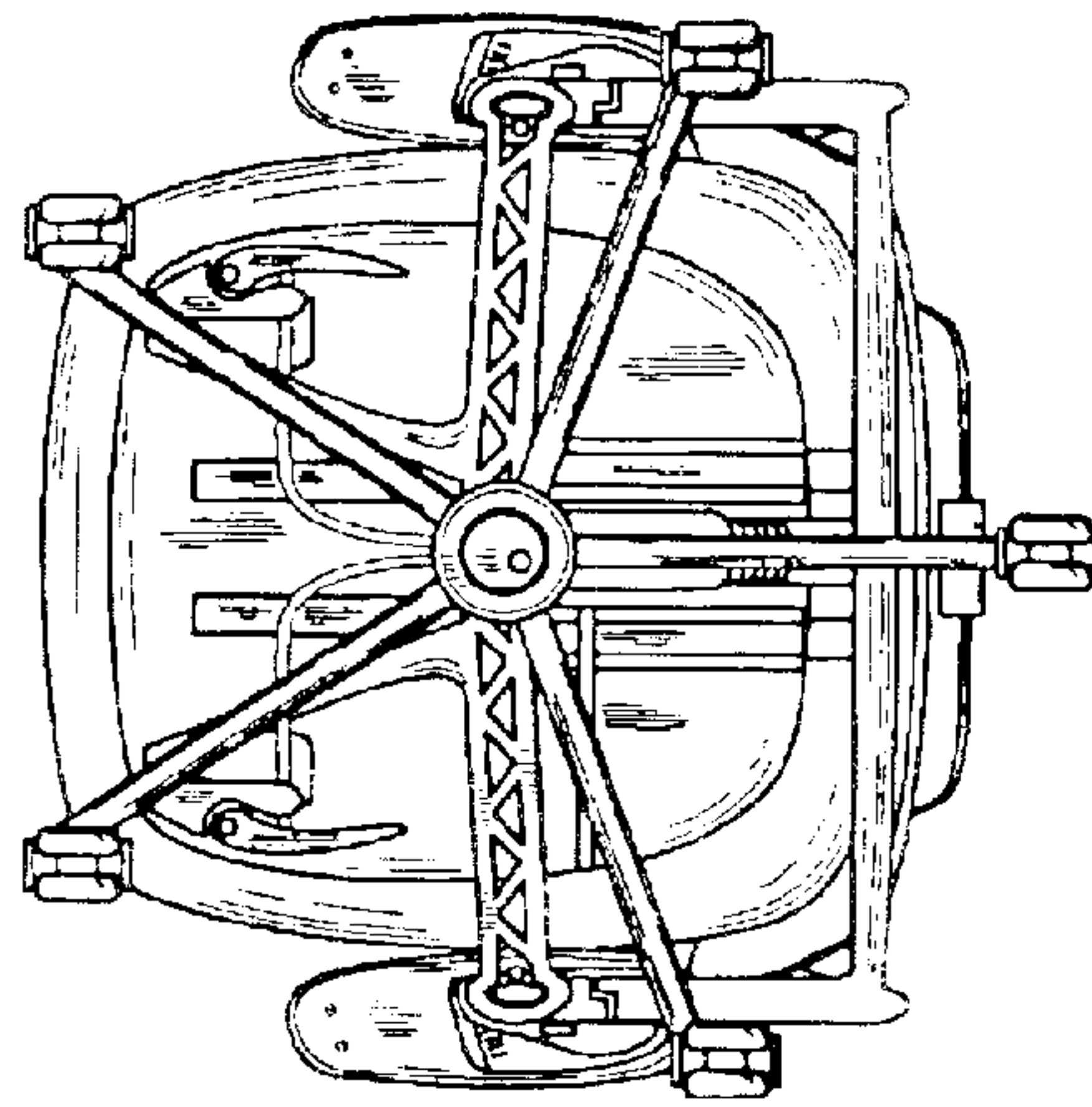


FIG. 6

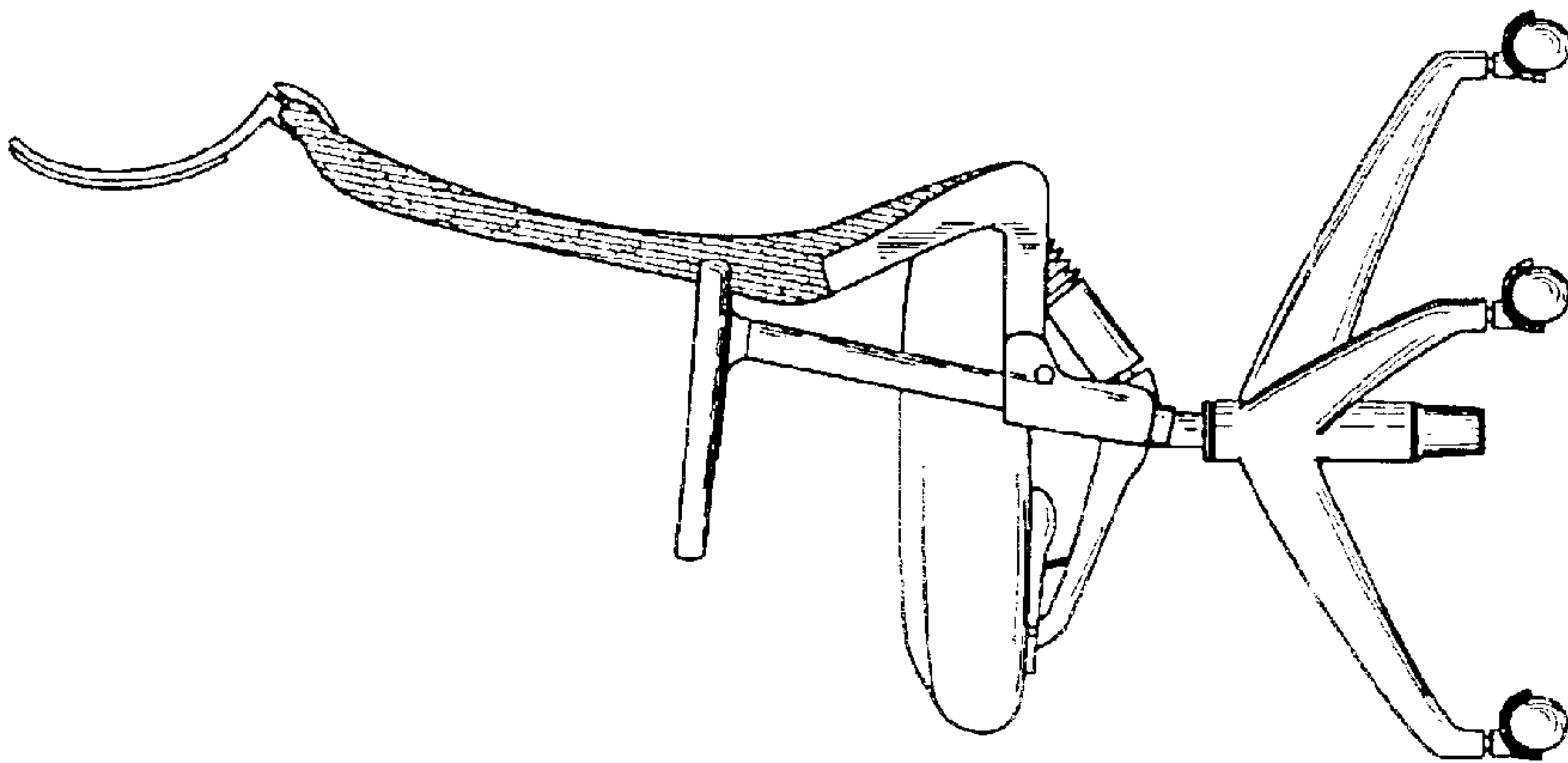


FIG. 4