



US00D499563S

(12) **United States Design Patent**
McCune et al.

(10) **Patent No.:** **US D499,563 S**
(45) **Date of Patent:** **** Dec. 14, 2004**

(54) **MUSICAL BATTERY-POWERED BABY SWING HAVING CONTOURED AND CUSHIONED NECK AND LEG SUPPORT**

(76) Inventors: **Christine J. McCune**, Rte. 1, Box 325, Indore, WV (US) 25111; **Ellen L. Lambey**, HC 75, Box 84-A, Ivydale, WV (US) 25113

(**) Term: **14 Years**

(21) Appl. No.: **29/203,433**

(22) Filed: **Apr. 15, 2004**

(51) **LOC (7) Cl.** **06-01**

(52) **U.S. Cl.** **D6/347; D6/344**

(58) **Field of Search** D6/333, 334, 344, D6/347, 348, 368, 374-376, 500-502; 297/259.3, 260.2, 271.1, 273, 277, 281, 250.1, 256.15, 377, 487; D21/823; 472/118, 119; D12/129

(56) **References Cited**

U.S. PATENT DOCUMENTS

D213,579 S	3/1969	Golding	
3,738,700 A	6/1973	Terry	
D228,268 S	* 9/1973	Saint D6/338
D250,861 S	* 1/1979	Boudreau et al. D6/347
4,324,432 A	* 4/1982	Eldon et al. 297/377
D268,232 S	3/1983	Scales	
D293,046 S	* 12/1987	Riehm D6/347
D294,889 S	* 3/1988	Nakao et al. D6/333

D321,599 S	11/1991	Takahashi et al.	
D326,781 S	6/1992	Brundige	
5,201,693 A	4/1993	Sparkes	
D339,477 S	* 9/1993	Kain D6/333
5,433,682 A	7/1995	Fermaglich et al.	
5,662,378 A	* 9/1997	Carruth 297/256.15
6,079,781 A	* 6/2000	Tilley 297/250.1
D485,690 S	* 1/2004	Hsia D6/347

* cited by examiner

Primary Examiner—Mimosa De

(74) *Attorney, Agent, or Firm*—Donald R. Schoonover

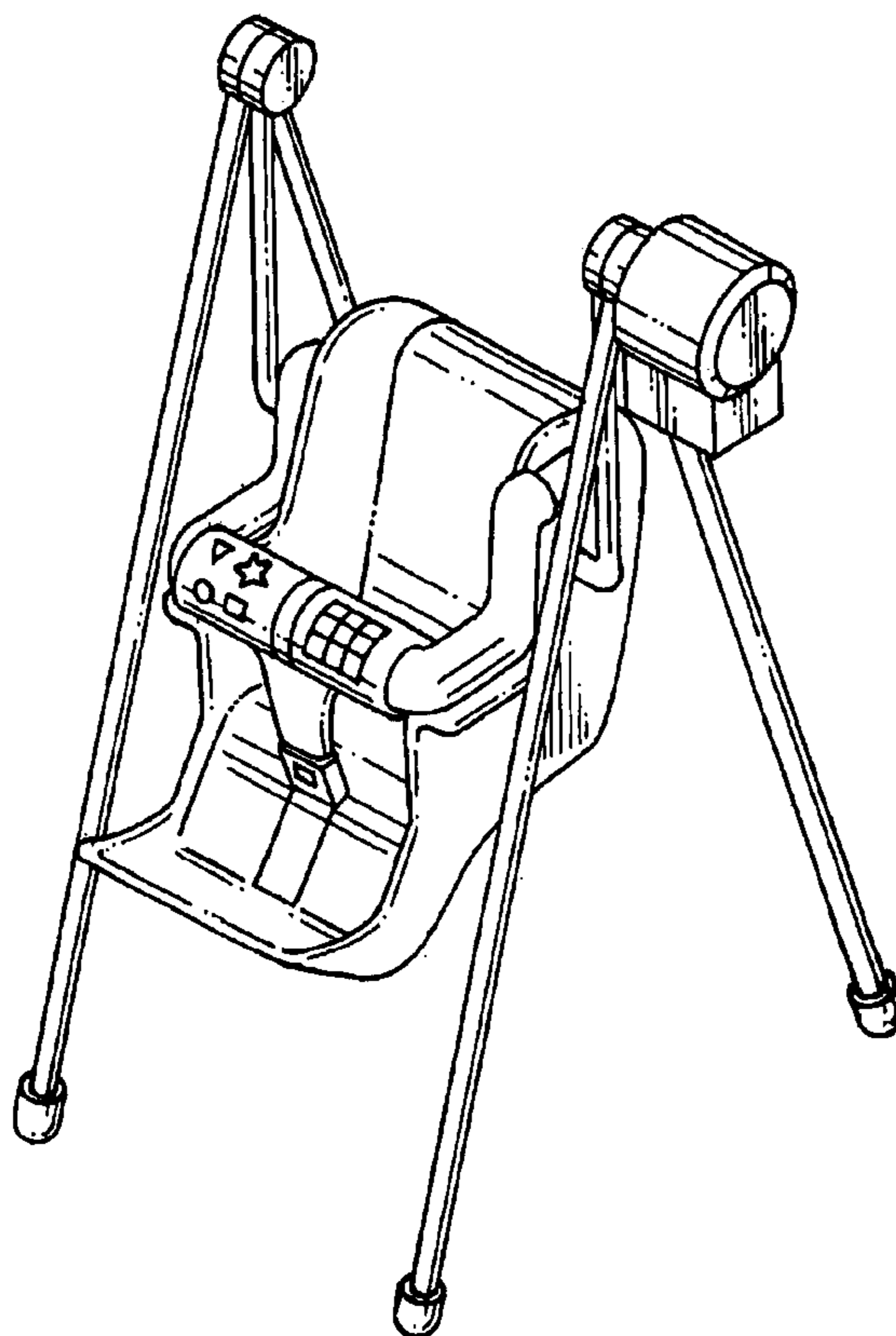
(57) **CLAIM**

The ornamental design for a musical battery-powered baby swing having contoured and cushioned neck and leg support, as shown and described.

DESCRIPTION

FIG. 1 is a perspective view of a musical battery-powered baby swing having contoured and cushioned neck and leg support showing our new design; FIG. 2 is a slightly reduced front elevational view thereof; FIG. 3 is a slightly reduced rear elevational view thereof; FIG. 4 is a slightly reduced left side elevational view thereof; FIG. 5 is a slightly reduced right side elevational view thereof; FIG. 6 is a slightly reduced top plan view thereof; and, FIG. 7 is a slightly reduced bottom plan view thereof.

1 Claim, 4 Drawing Sheets



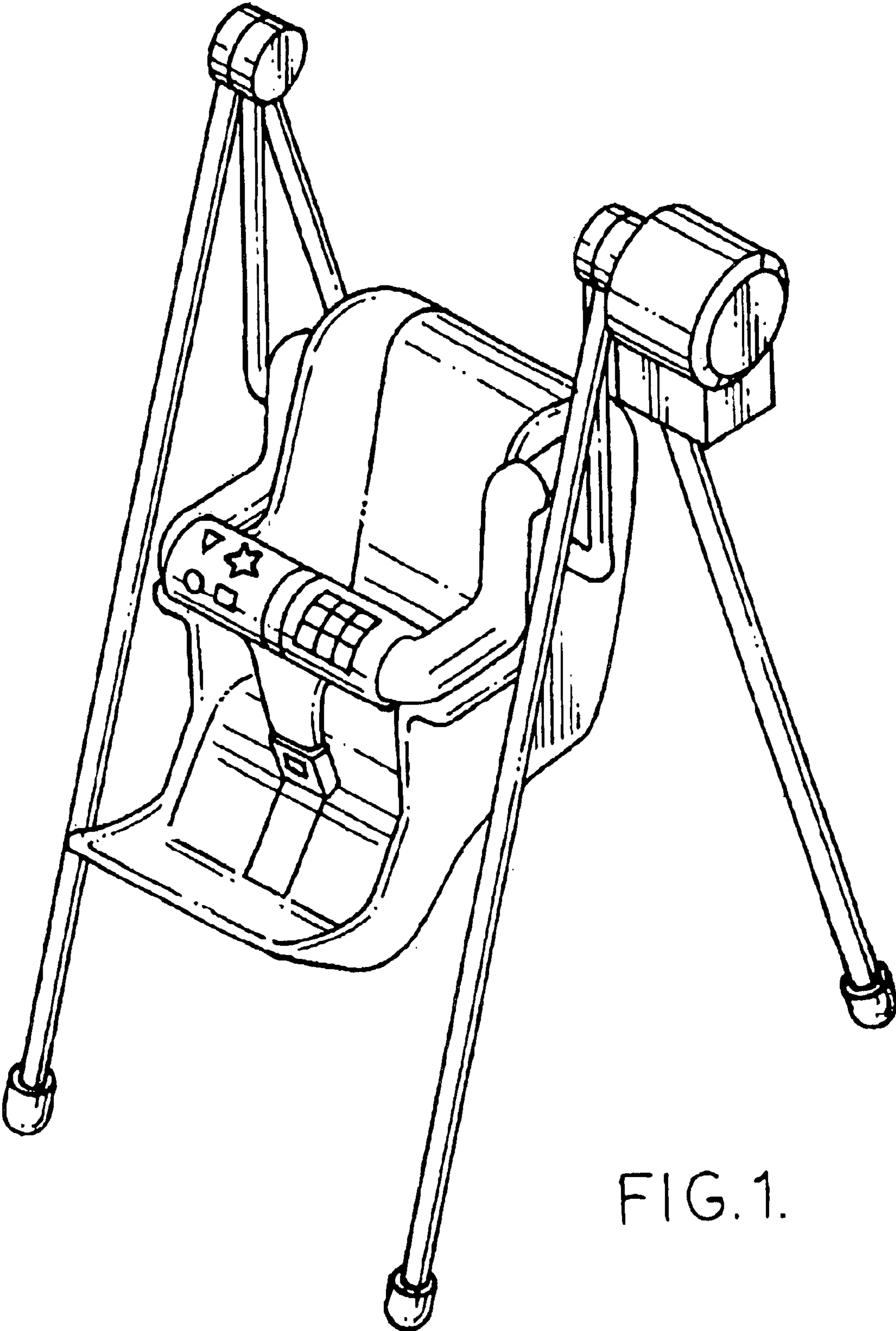


FIG. 1.

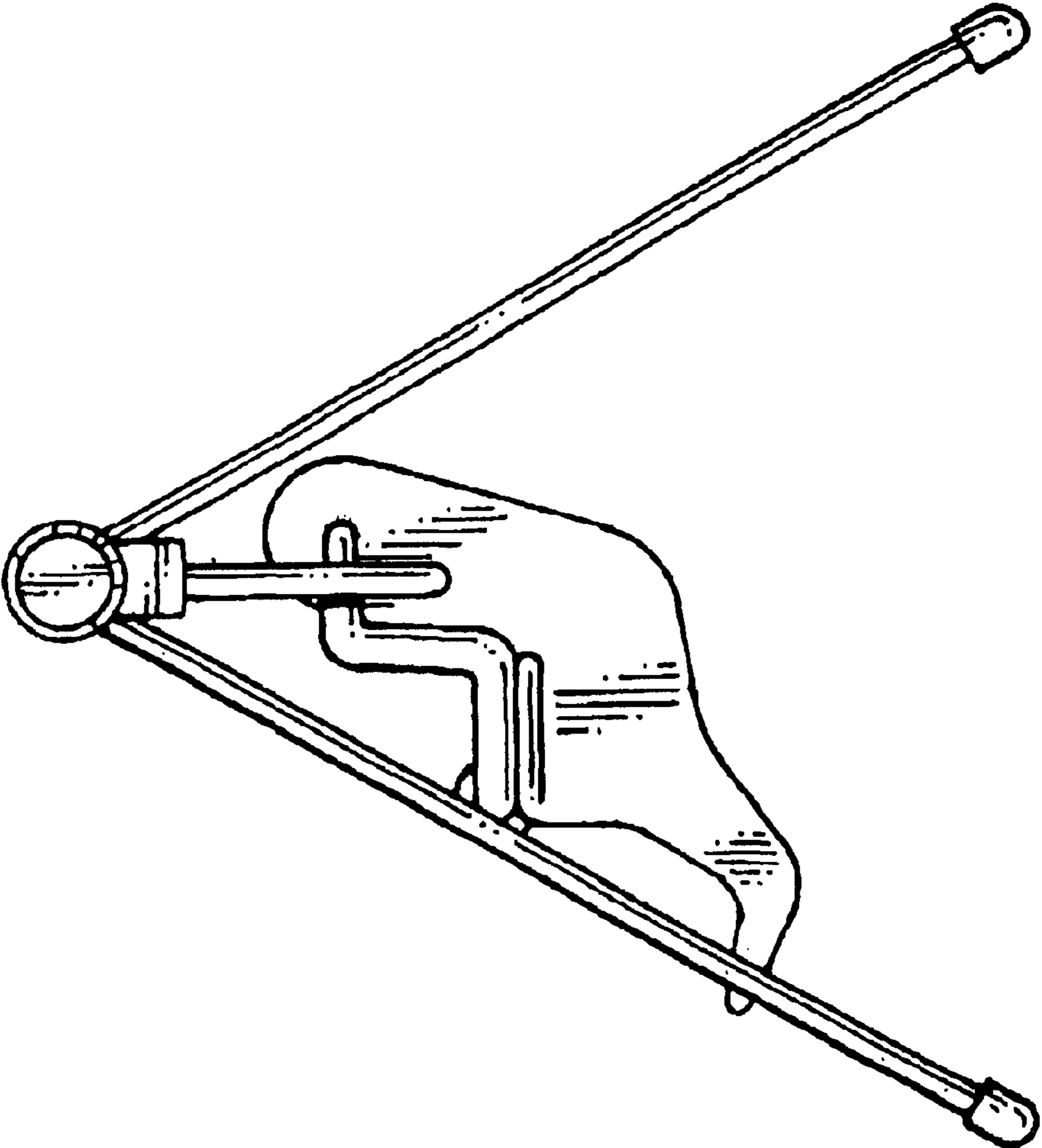


FIG. 4.

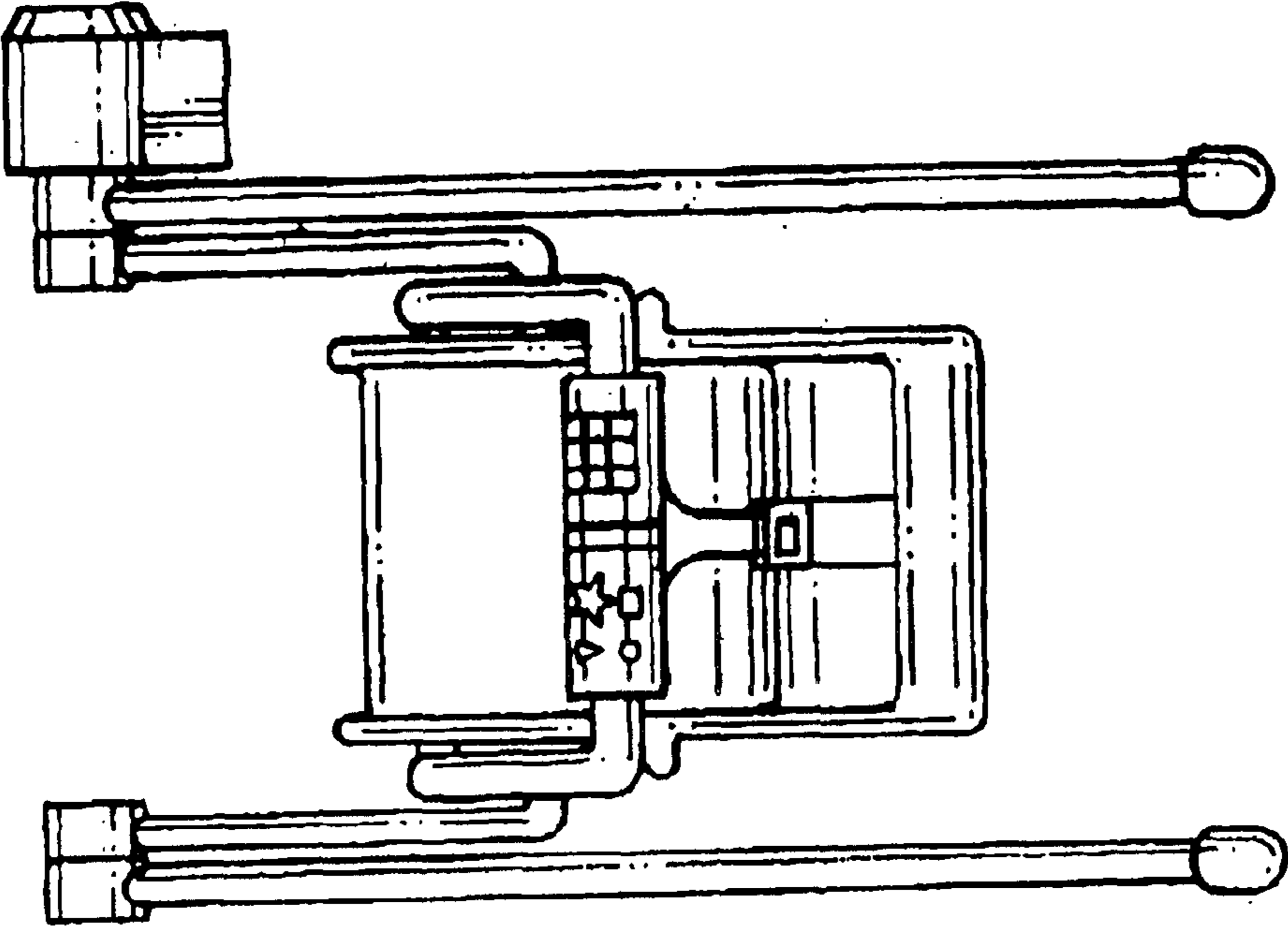


FIG. 2.

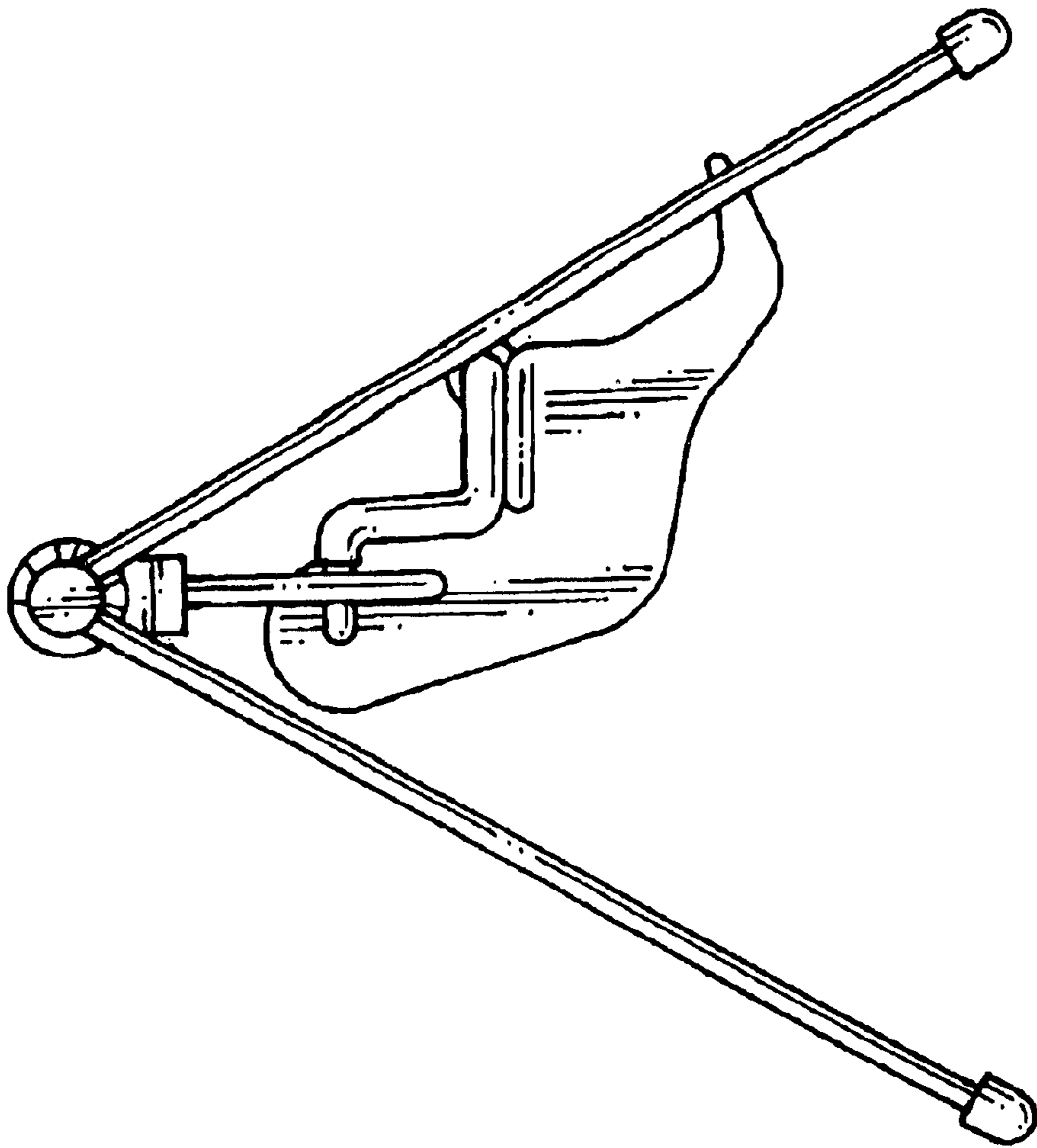


FIG. 5.

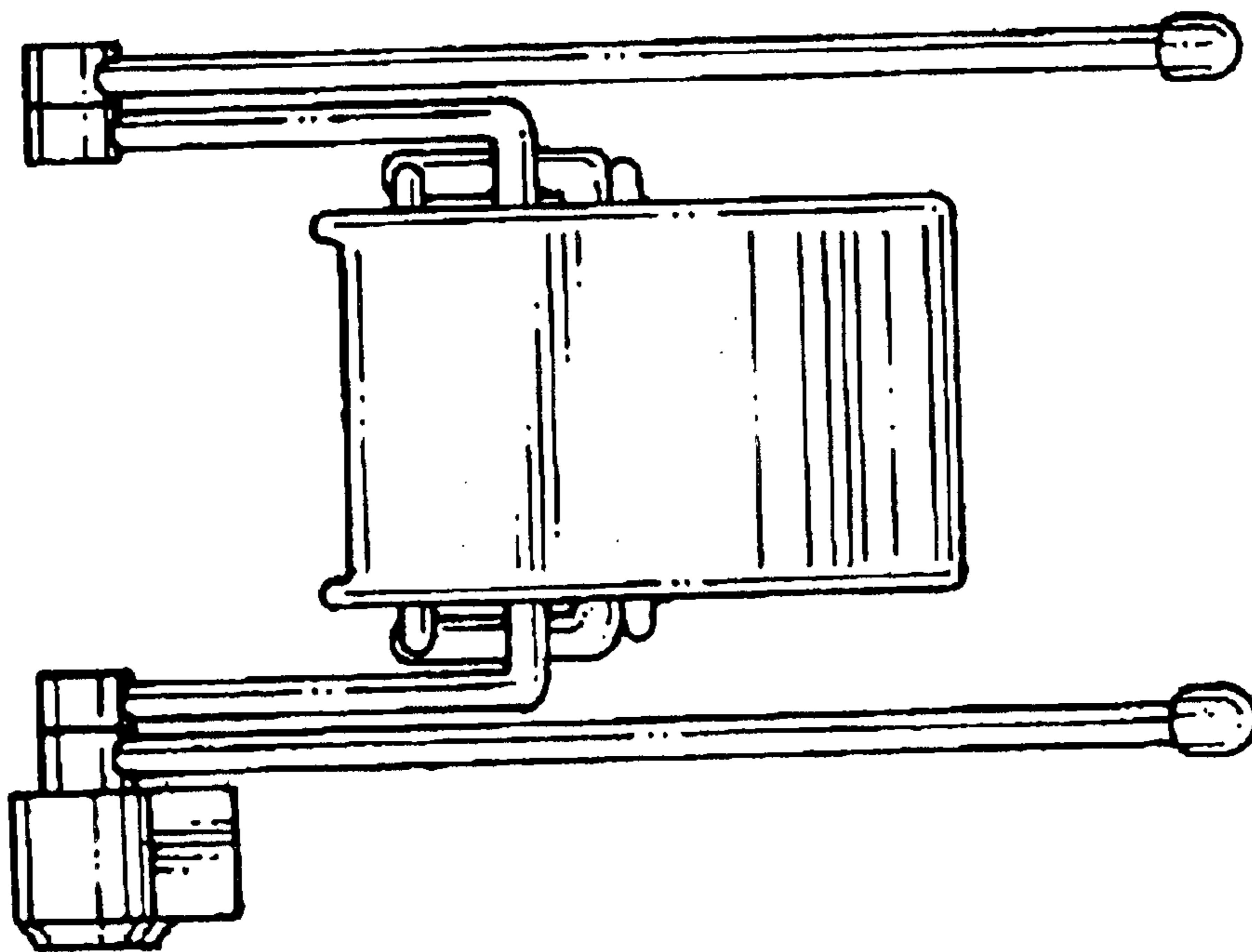


FIG. 3.

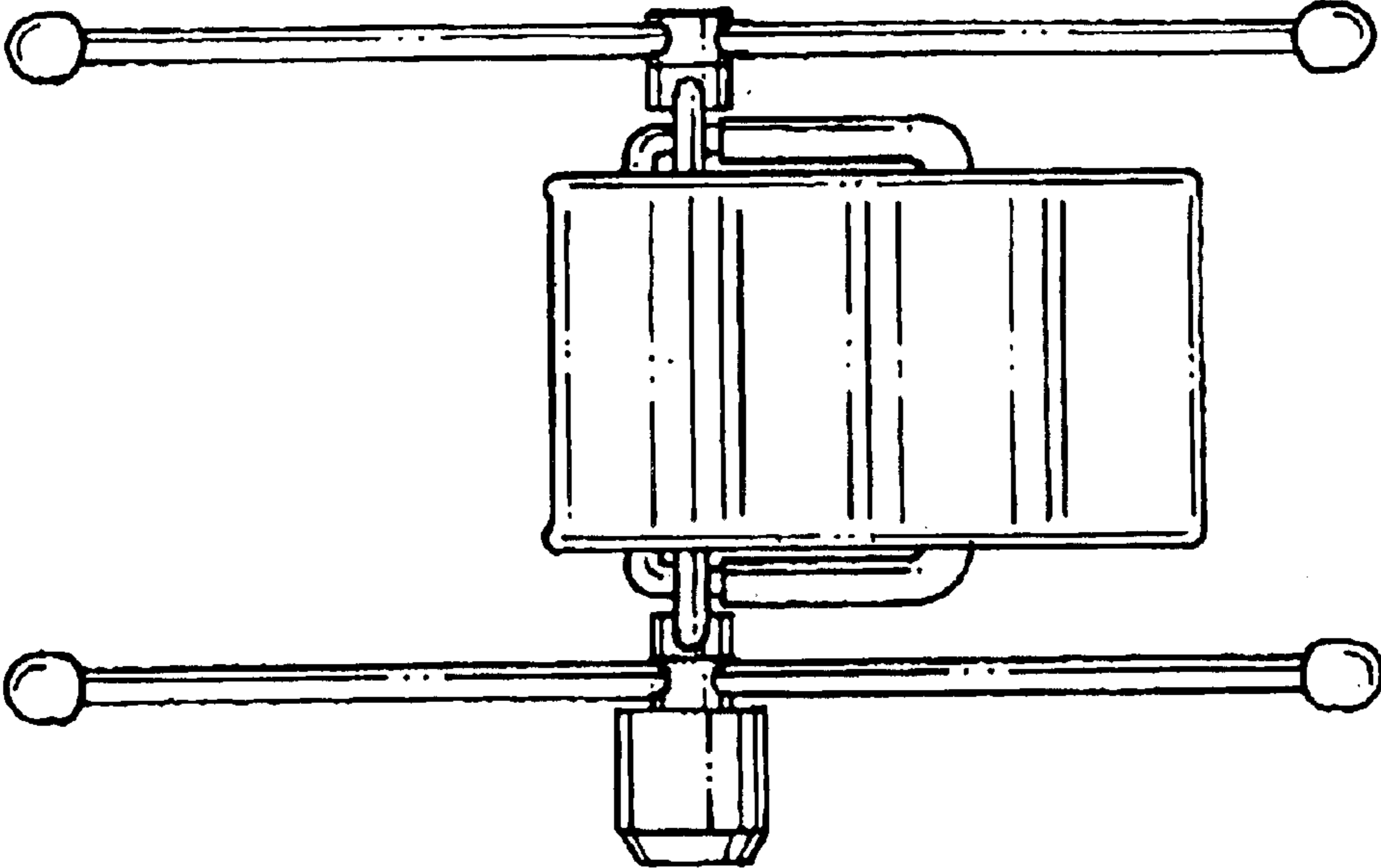


FIG. 7.

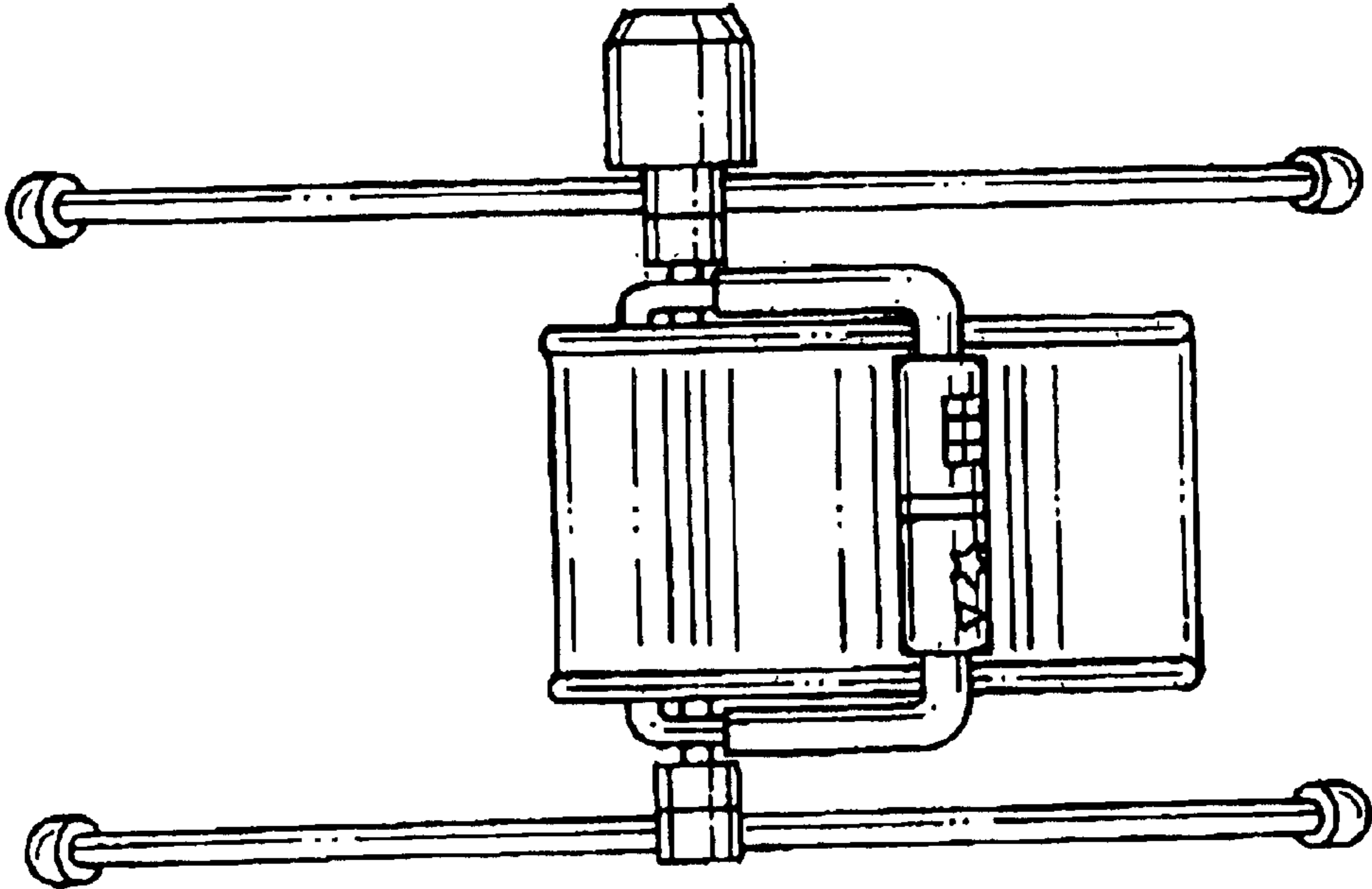


FIG. 6.