

US00D499553S

(12) **United States Design Patent**
Millard

(10) **Patent No.:** **US D499,553 S**

(45) **Date of Patent:** **** Dec. 14, 2004**

(54) **COMBINATION BODY HARNESS AND
DETACHABLE PAINT BUCKET FOR
PAINTER**

(76) **Inventor:** **Steve M. Millard**, 1856 Alif Rd., Rio
Rancho, NM (US) 87144

(**) **Term:** **14 Years**

(21) **Appl. No.:** **29/165,022**

(22) **Filed:** **Aug. 5, 2002**

(51) **LOC (7) Cl.** **03-01**

(52) **U.S. Cl.** **D3/327**

(58) **Field of Search** D3/216, 217, 242,
D3/327; 224/153, 155, 578, 582, 579, 636;
2/647

(56) **References Cited**

U.S. PATENT DOCUMENTS

947,024 A	1/1910	Paine et al.	
1,169,198 A	1/1916	Schumacher	
1,816,262 A	* 7/1931	Ritter	
3,351,970 A	* 11/1967	Engh	
D232,869 S	* 9/1974	Yoshimura	
3,881,644 A	* 5/1975	Demaline	224/153
D240,566 S	* 7/1976	Westerberg	
D246,445 S	* 11/1977	Inman	D10/114
D248,596 S	7/1978	Neyman	
4,168,022 A	9/1979	Brewer	
D267,598 S	* 1/1983	Lyer et al.	D3/216
4,462,525 A	7/1984	Pingleton et al.	
4,569,465 A	2/1986	O'Farrell	
D292,533 S	* 10/1987	Saraga	D32/53.1
4,746,042 A	5/1988	King	

D338,561 S	* 8/1993	Leiserson et al.	D3/229
D344,852 S	* 3/1994	McManaman	D3/229
D345,052 S	3/1994	Stokke et al.	
5,493,751 A	* 2/1996	Misuikowiec et al.	15/257.06
D455,009 S	* 4/2002	Thayer	D3/327
6,622,340 B2	* 9/2003	Rosa	15/257.06
6,655,564 B1	* 12/2003	Zupan	224/628
6,719,178 B1	* 4/2004	Taylor	224/148.7

* cited by examiner

Primary Examiner—Celia A. Murphy

(74) *Attorney, Agent, or Firm*—Donald R. Schoonover

(57) **CLAIM**

The ornamental design for a combination body harness and detachable paint bucket for painter, as shown and described.

DESCRIPTION

FIG. 1 is a perspective view of the combination body harness and detachable paint bucket for painter embodying the design of the present invention;

FIG. 2 is a front elevational view thereof;

FIG. 3 is a rear elevational view thereof;

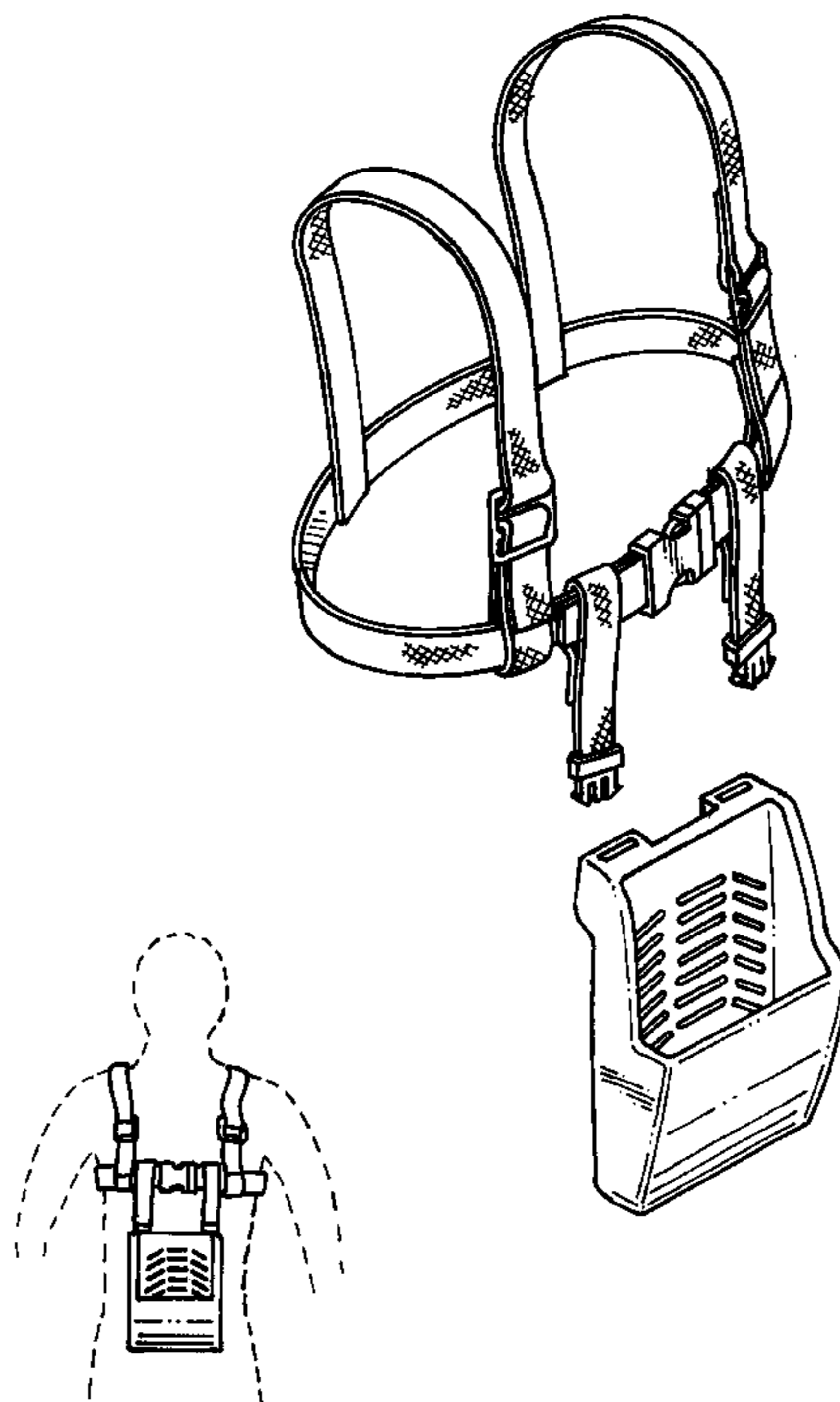
FIG. 4 is a left side elevational view thereof, the right side elevational view being a mirror image thereof;

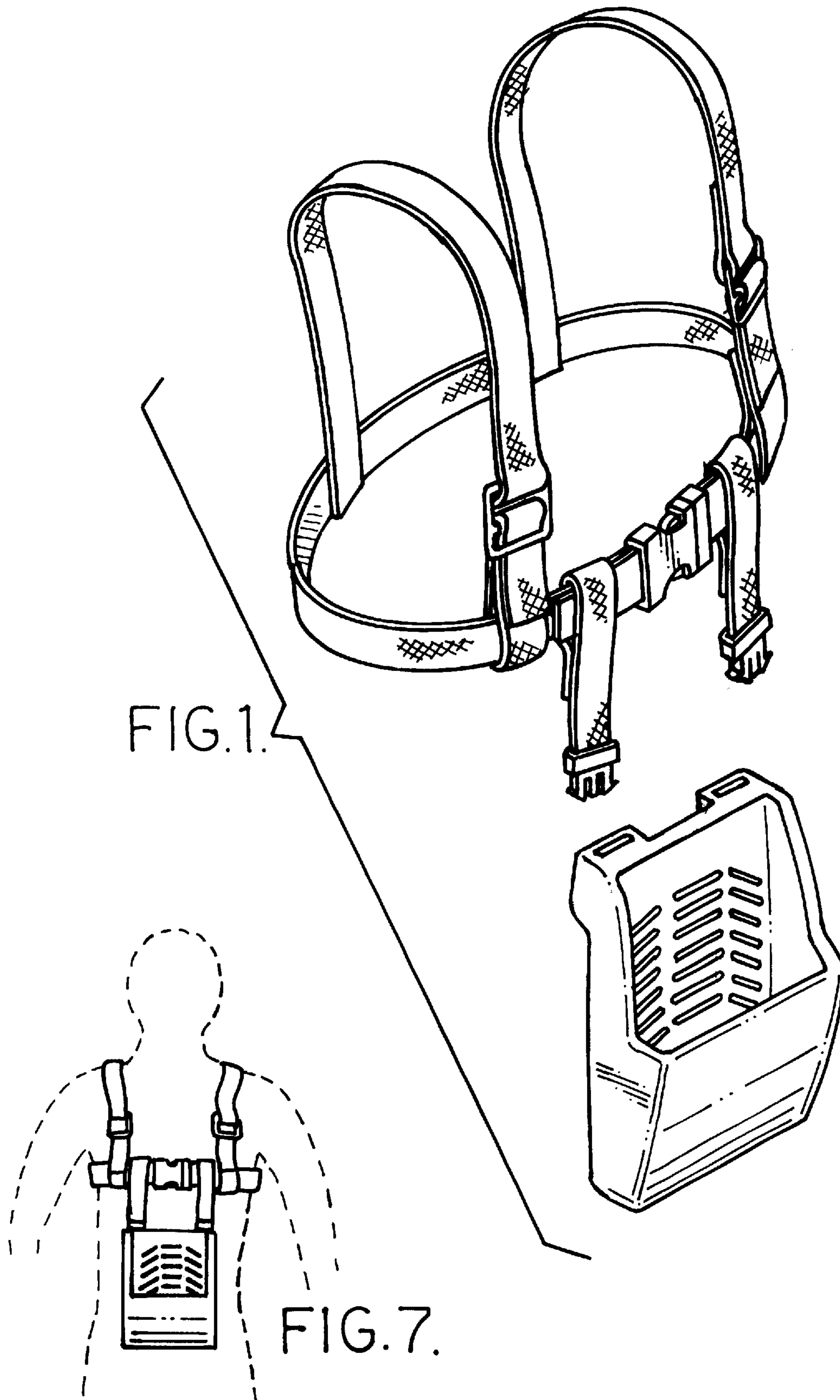
FIG. 5 is a top plan view thereof;

FIG. 6 is a bottom plan view thereof; and,

FIG. 7 is a reduced perspective view of the combination body harness and detachable paint bucket for painter embodying the design of the present invention; the broken lines depict environmental structure and form no part of the claimed design.

1 Claim, 3 Drawing Sheets





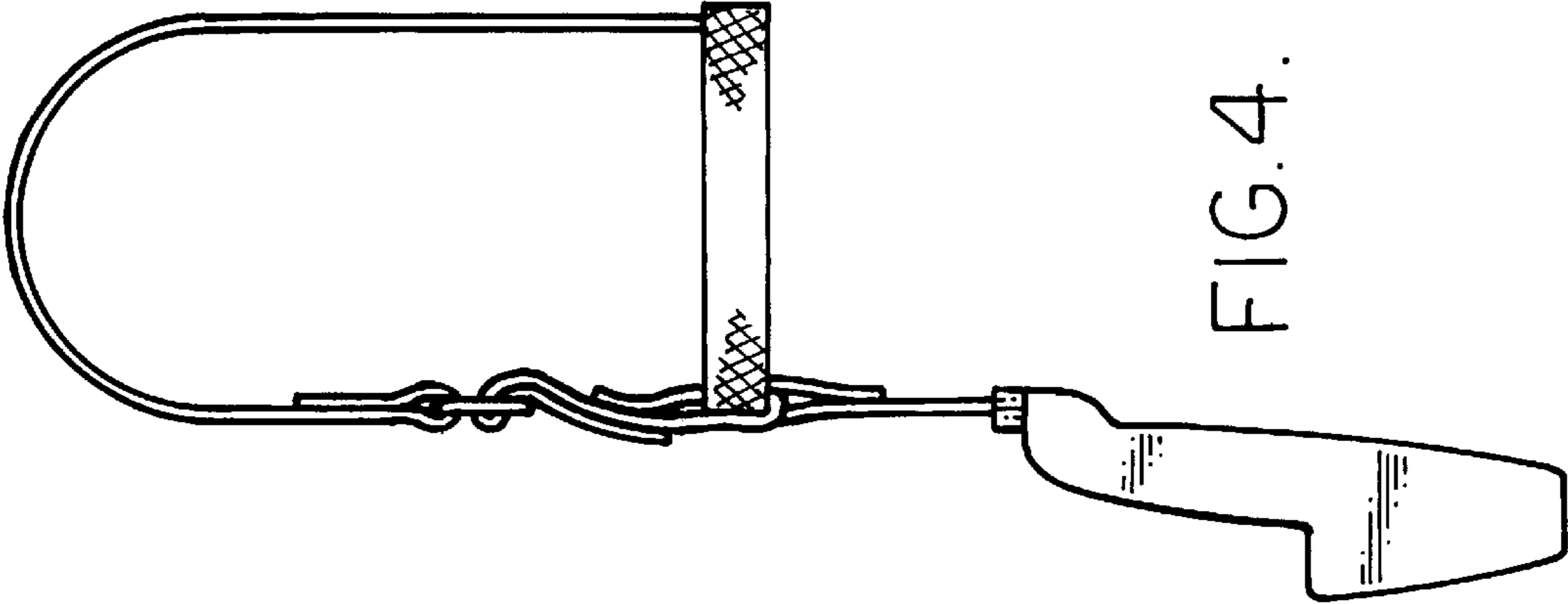


FIG. 4.

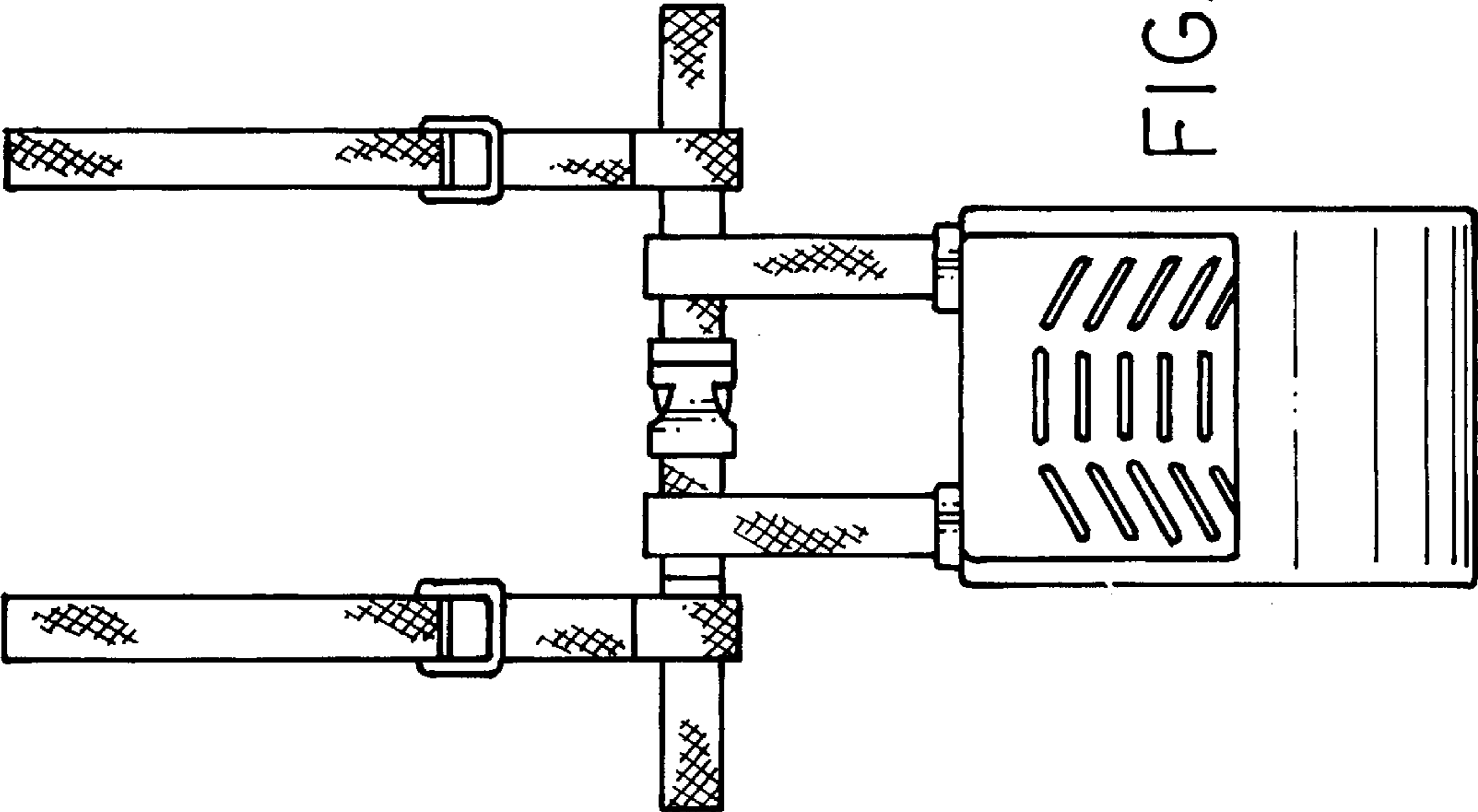


FIG. 2.

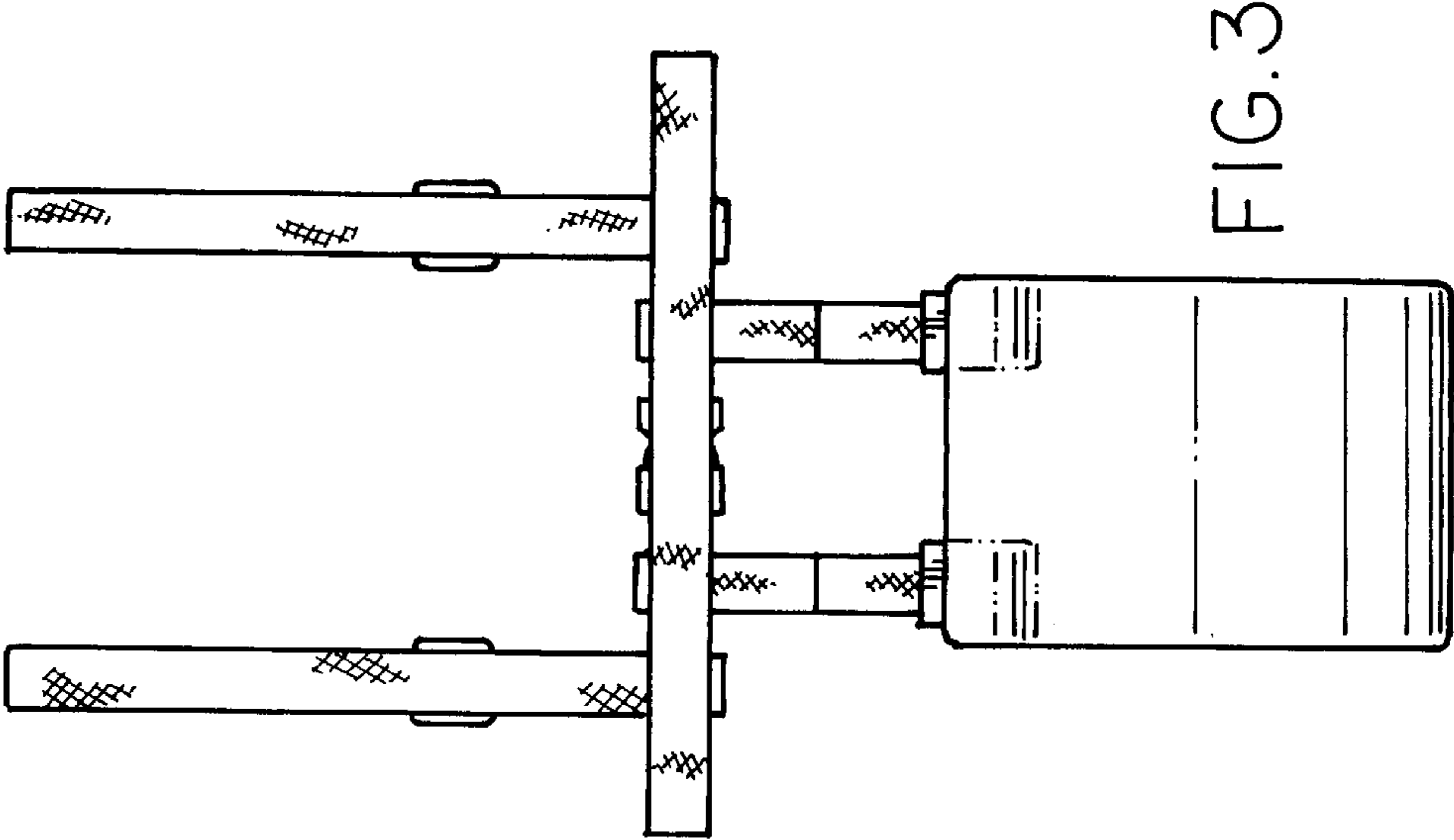
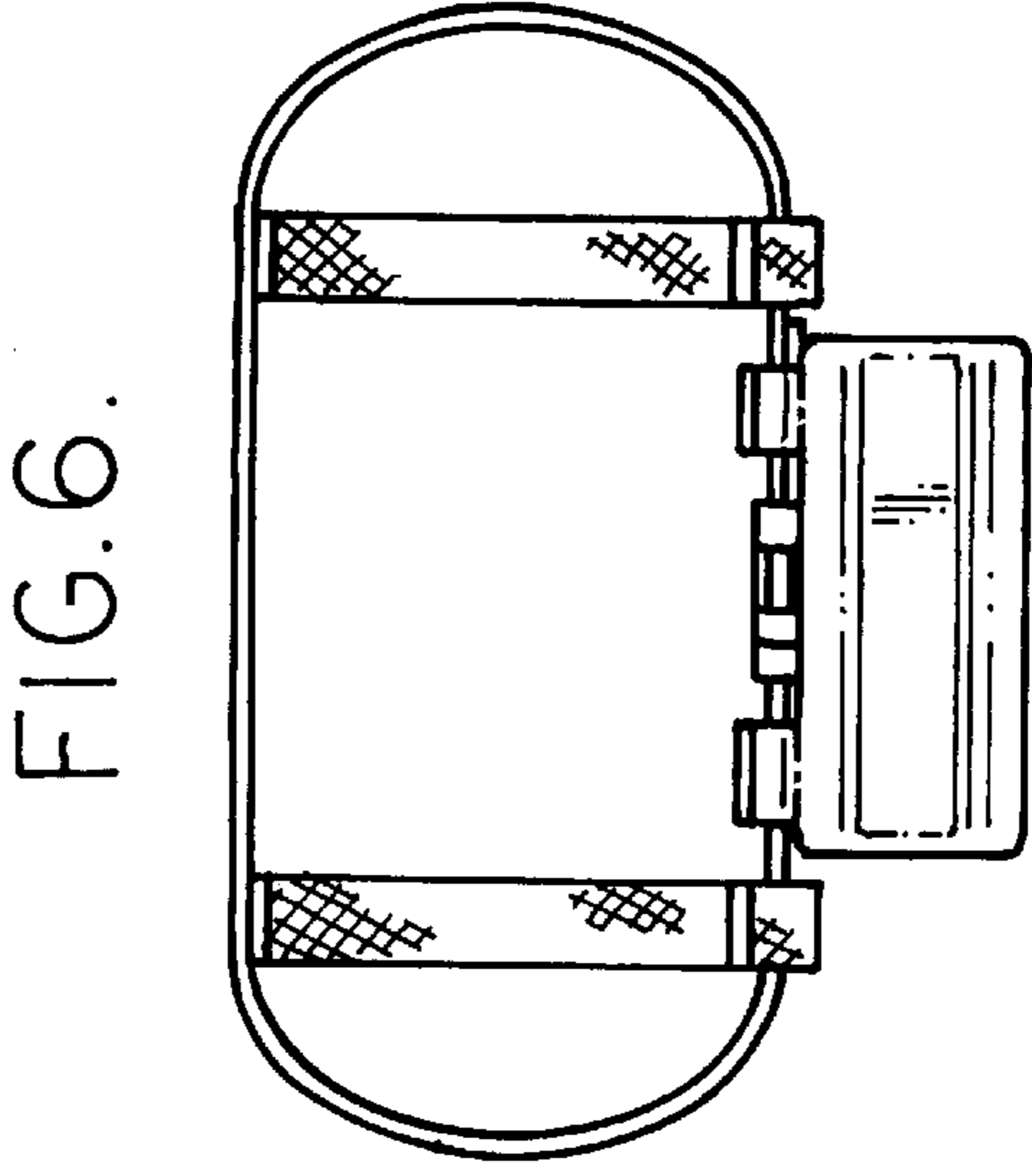
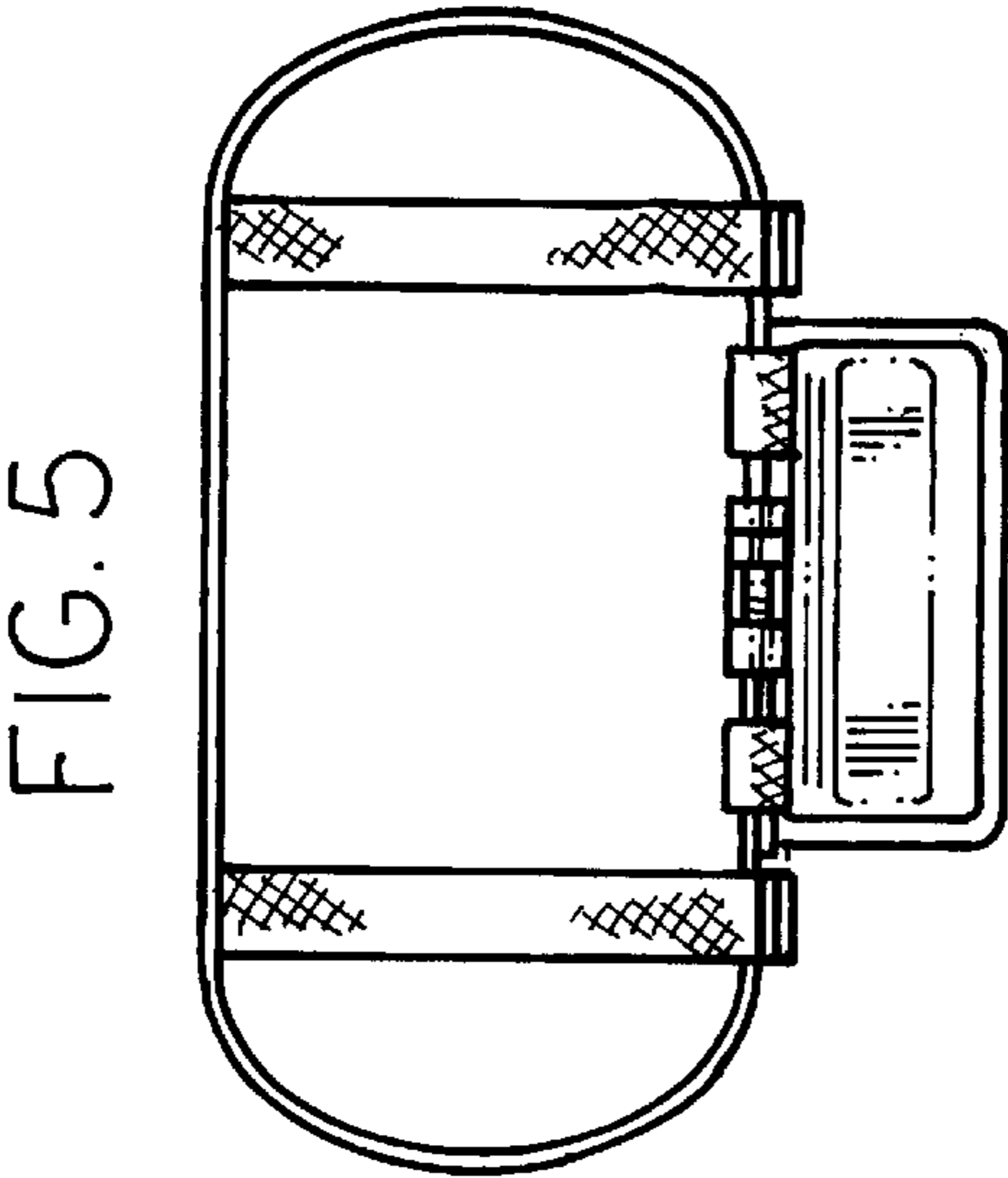


FIG. 3