



US00D499551S

(12) **United States Design Patent**  
**Lederer et al.**

(10) **Patent No.: US D499,551 S**  
(45) **Date of Patent: \*\* Dec. 14, 2004**

(54) **PADFOLIO WITH TAPERED OUTER POCKET**

(75) Inventors: **Joshua B. Lederer**, Brookline, MA (US); **Mark T. Salander**, Barrington, RI (US); **Richard C. Bellofatto, Jr.**, Peabody, MA (US); **Quincy L. Reese**, Brockton, MA (US)

(73) Assignee: **The GEM Group**, Lawrence, MA (US)

(\*\*) Term: **14 Years**

(21) Appl. No.: **29/192,834**

(22) Filed: **Oct. 30, 2003**

(51) **LOC (7) Cl.** ..... **03-01**

(52) **U.S. Cl.** ..... **D3/299; D3/900**

(58) **Field of Search** ..... D3/272, 273, 276, D3/289, 301, 299, 900; 190/100, 110, 111, 112, 113, 900; 206/311, 425; D19/26, 27

(56) **References Cited**

**U.S. PATENT DOCUMENTS**

- D278,859 S \* 5/1985 Katz et al. .... D3/301
- D288,033 S \* 2/1987 Lodico et al. .... D3/289
- D358,935 S \* 6/1995 Chang et al. .... D3/289

- D407,432 S \* 3/1999 Tell ..... D19/26
- D414,935 S \* 10/1999 Bould ..... D3/301
- D421,526 S \* 3/2000 Isaacson ..... D3/303
- D435,591 S \* 12/2000 Wyant ..... D19/27
- D447,342 S \* 9/2001 Guy et al. .... D3/301
- D465,331 S \* 11/2002 Shapiro ..... D3/303
- D469,254 S \* 1/2003 Johnson ..... D3/303

\* cited by examiner

*Primary Examiner*—Philip S. Hyder

(74) *Attorney, Agent, or Firm*—Cesari and McKenna, LLP; William A. Loginov

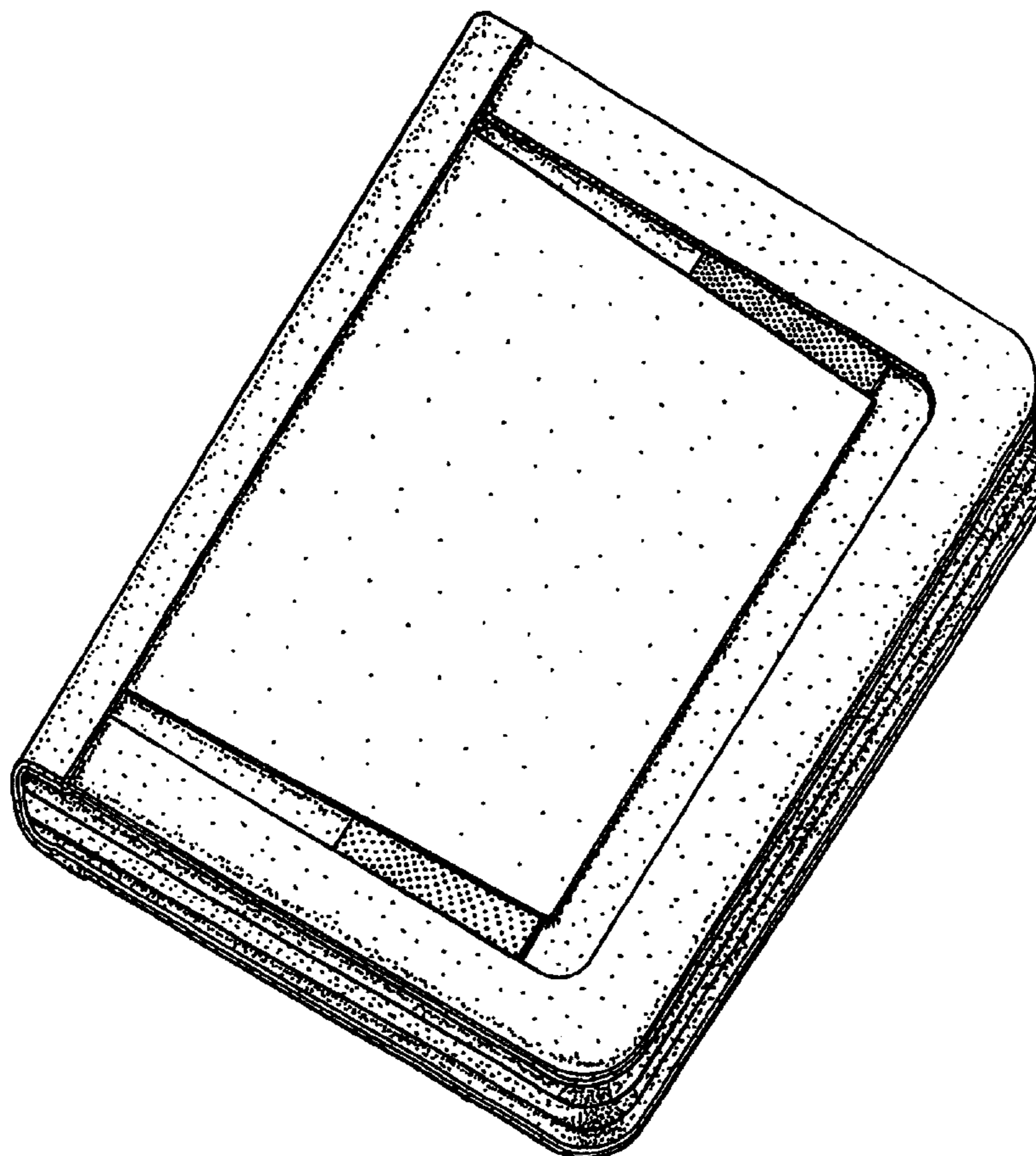
(57) **CLAIM**

The ornamental design for a padfolio with tapered outer pocket, substantially as shown.

**DESCRIPTION**

FIG. 1 is an isometric view from the front of a padfolio with tapered outer pocket incorporating the design; FIG. 2 is a top view thereof; FIG. 3 is a bottom view thereof; FIG. 4 is a right-side view thereof; FIG. 5 is a left-side view thereof; FIG. 6 is a front view thereof; and, FIG. 7 is a back view thereof.

**1 Claim, 3 Drawing Sheets**



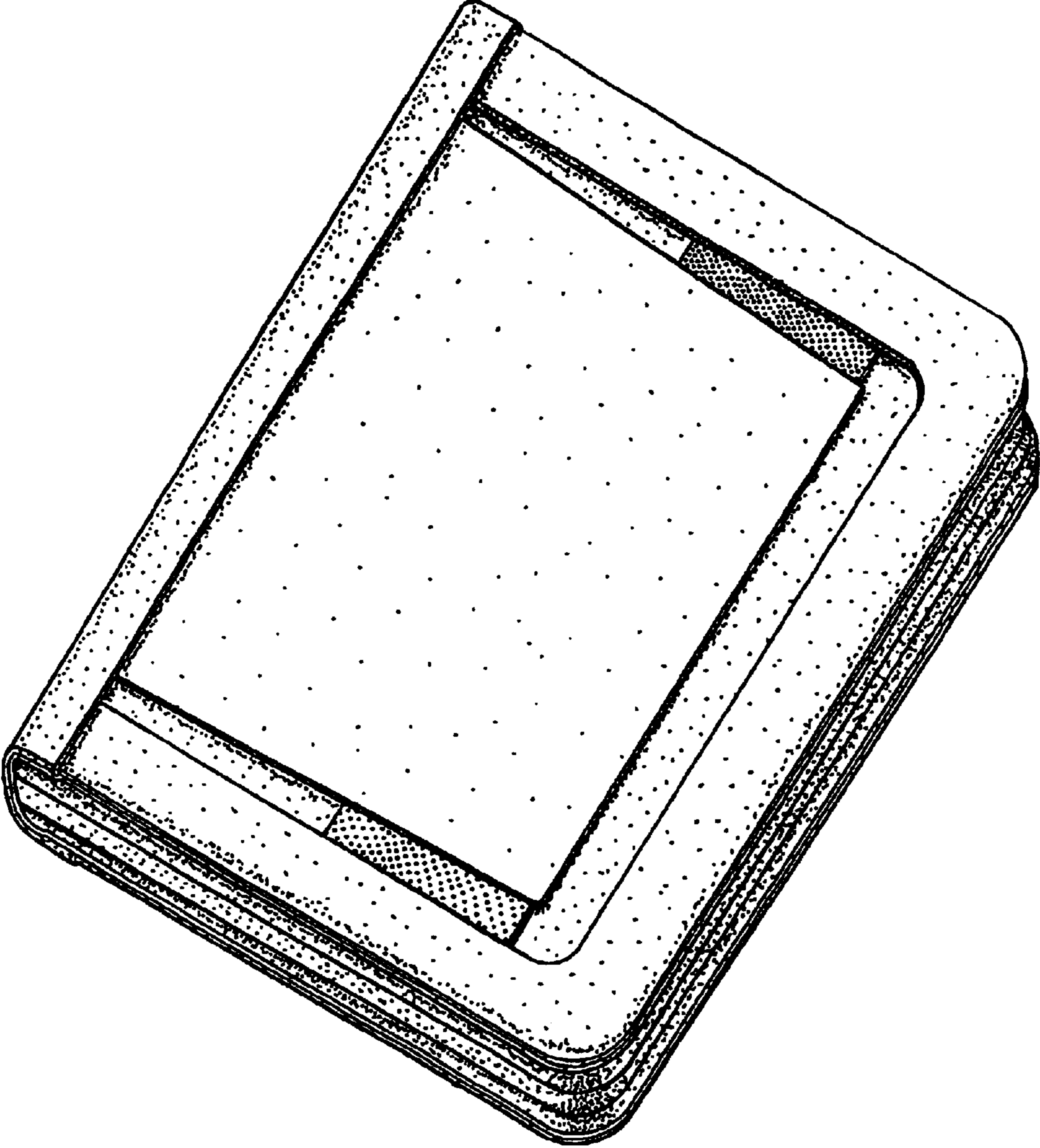


Fig. 1

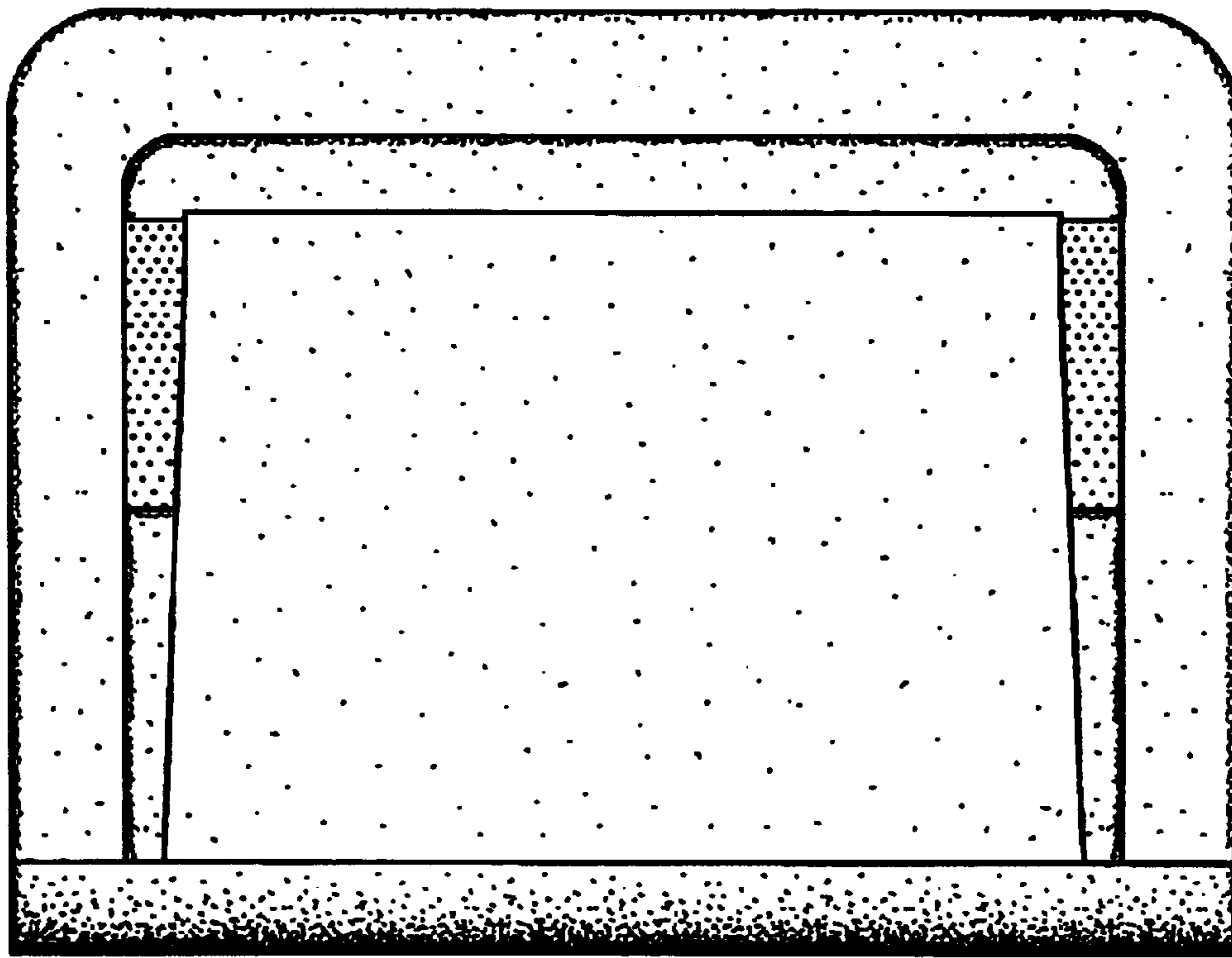


Fig. 2

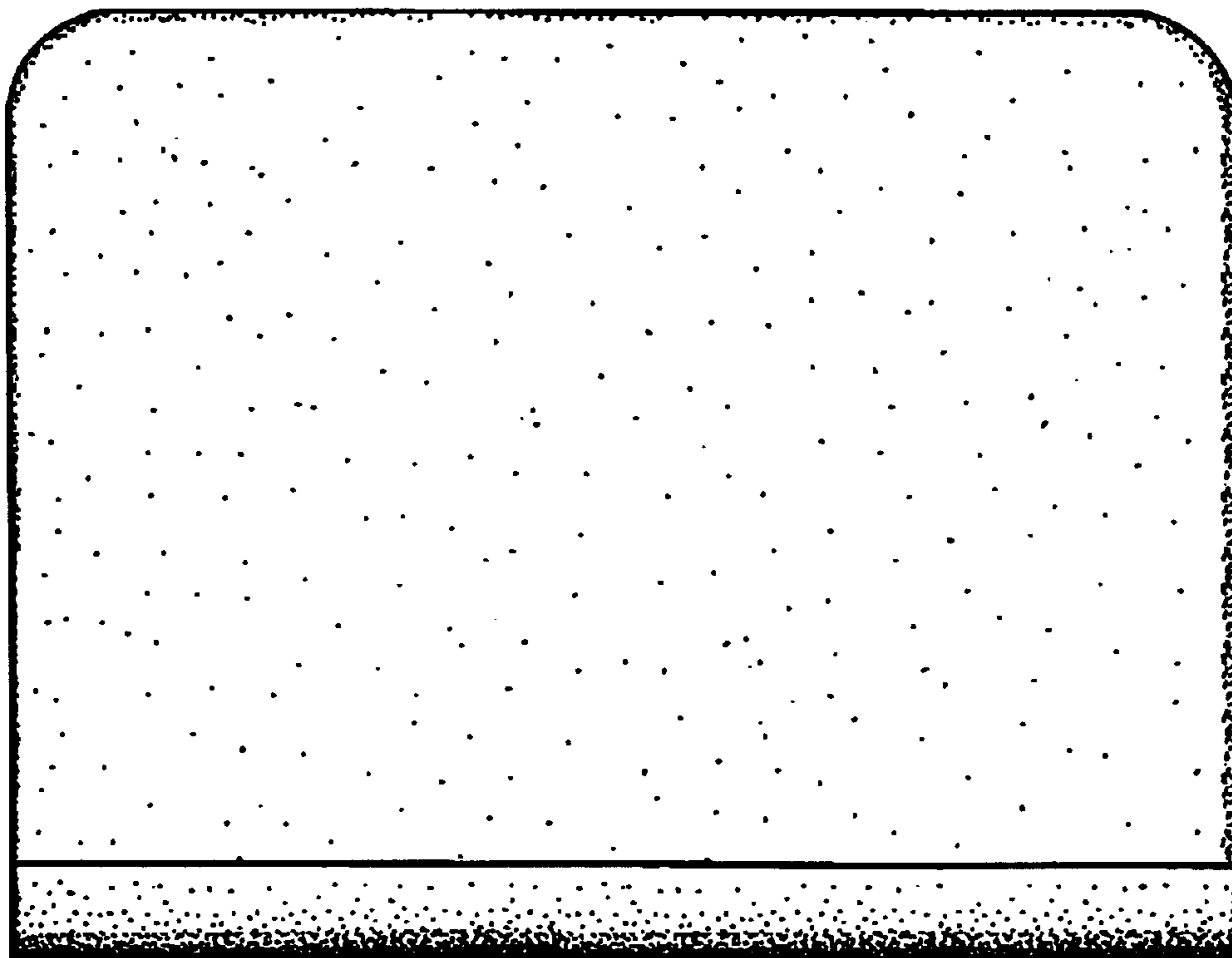
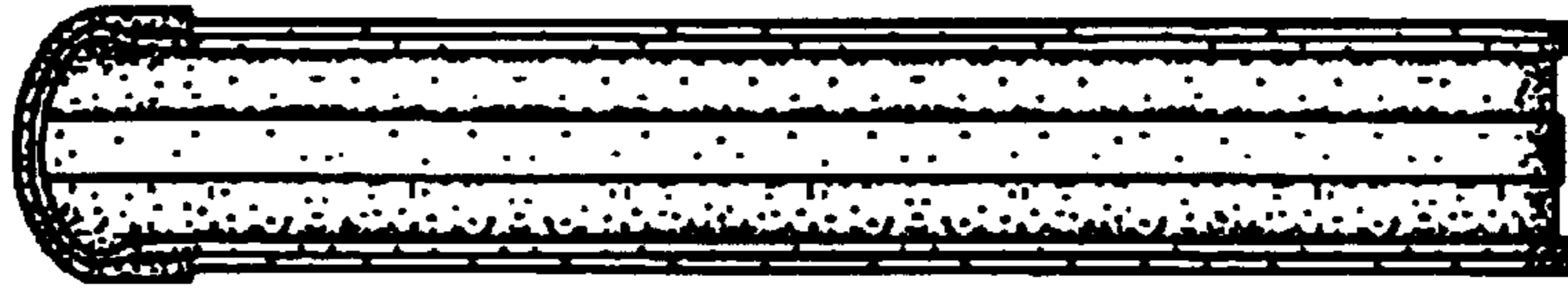
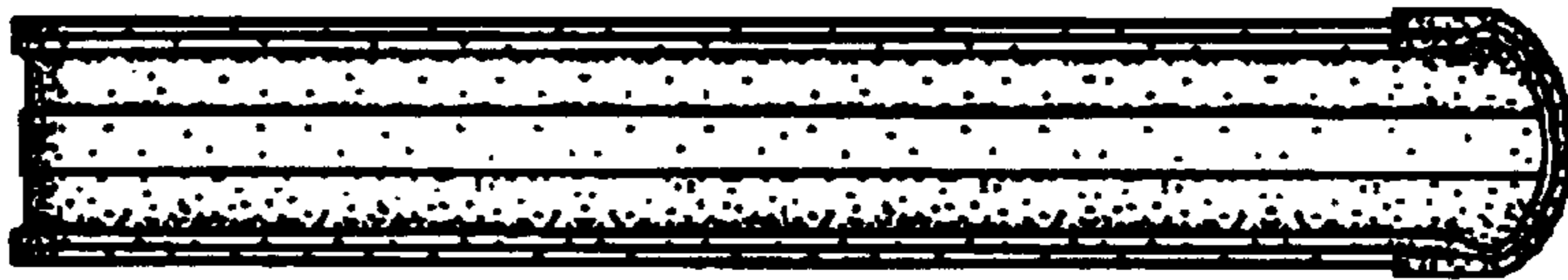


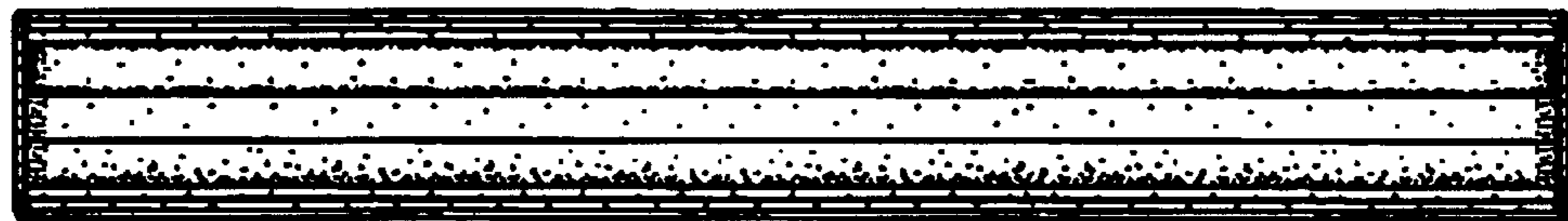
Fig. 3



*Fig. 4*



*Fig. 5*



*Fig. 6*



*Fig. 7*