



US00D499550S

(12) **United States Design Patent**
Sanders

(10) **Patent No.:** **US D499,550 S**

(45) **Date of Patent:** **** Dec. 14, 2004**

(54) **STACKABLE CARRYING CASE AND STORAGE DEVICE**

D468,932 S * 1/2003 Licari D6/441
D475,197 S * 6/2003 Stoddard D3/284
D478,208 S * 8/2003 Cassel D3/273

(75) Inventor: **David Sanders**, Alpharetta, GA (US)

* cited by examiner

(73) Assignee: **Southern States Marketing, Inc.**,
Marietta, GA (US)

Primary Examiner—Philip S. Hyder

(74) *Attorney, Agent, or Firm*—Nora M. Tocups, Esq.

(**) Term: **14 Years**

(57) **CLAIM**

(21) Appl. No.: **29/183,495**

The ornamental design for a stackable carrying case and storage device, as shown and described.

(22) Filed: **Jun. 12, 2003**

DESCRIPTION

(51) **LOC (7) Cl.** **03-01**

FIG. 1 is a top front perspective view showing the front, top, and right side of the invention.

(52) **U.S. Cl.** **D3/297; D3/282**

FIG. 2 is an exploded top front perspective view of the invention.

(58) **Field of Search** D3/272, 273, 294,
D3/295, 297, 276, 282; D6/441, 448, 432;
D19/75; 206/425; 312/298, 204, 213, 138.1,
348.4

FIG. 3 is a front elevation view of the invention.

FIG. 4 is a rear elevation view of the invention.

FIG. 5 is a right elevation view of the invention.

FIG. 6 is a left elevation view of the invention.

FIG. 7 is a top view of the invention.

FIG. 8 is a bottom view of the invention; and,

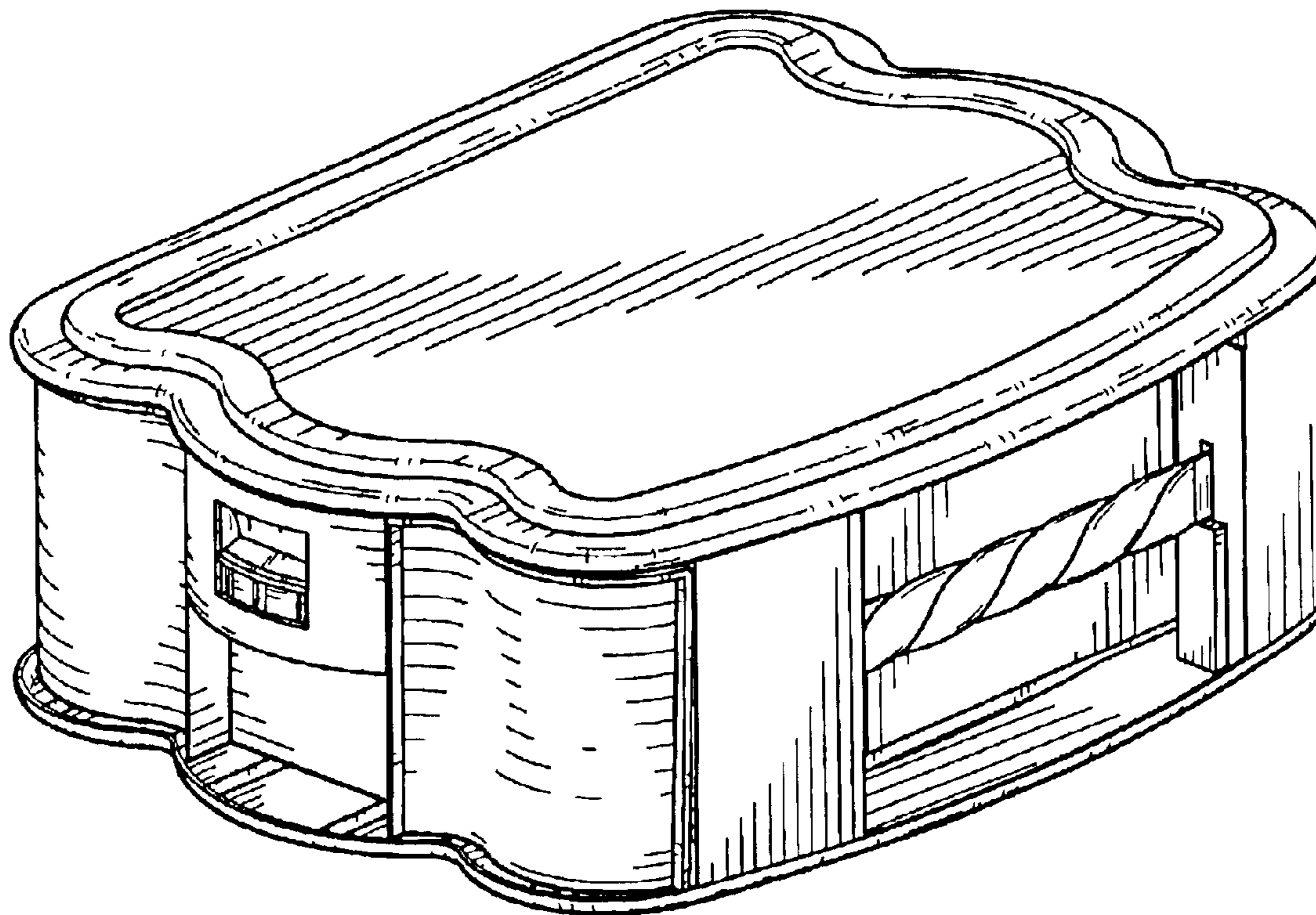
FIG. 9 is a top front perspective view of the invention illustrating the drawer of the invention in an open position.

(56) **References Cited**

U.S. PATENT DOCUMENTS

D360,778 S * 8/1995 Apt et al. D6/448
D372,378 S * 8/1996 Kruger D6/448
D393,541 S * 4/1998 Calmeise D3/297
D434,225 S * 11/2000 Story et al. D3/281
D468,130 S * 1/2003 Licari D6/441

1 Claim, 6 Drawing Sheets



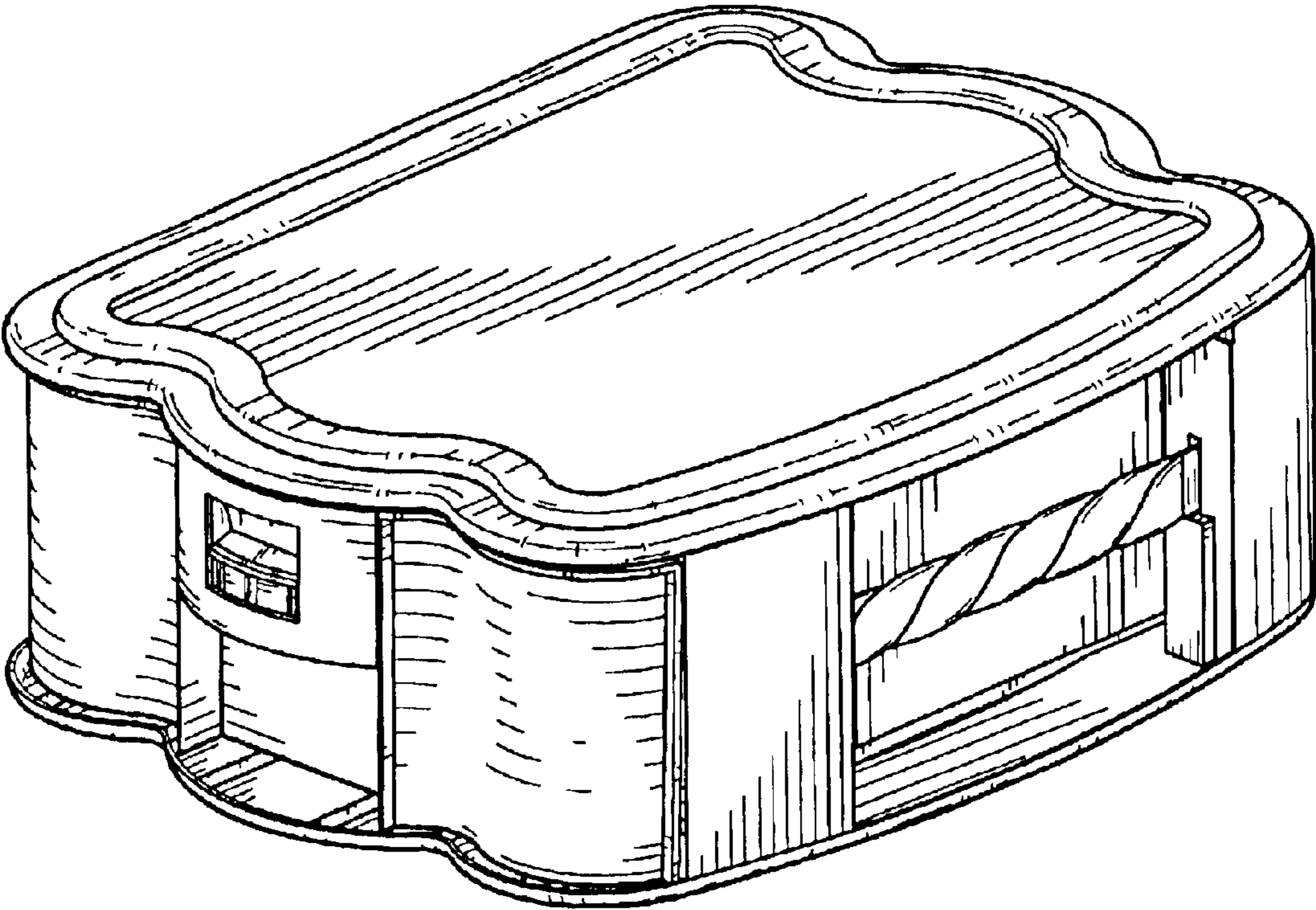


FIG. 1

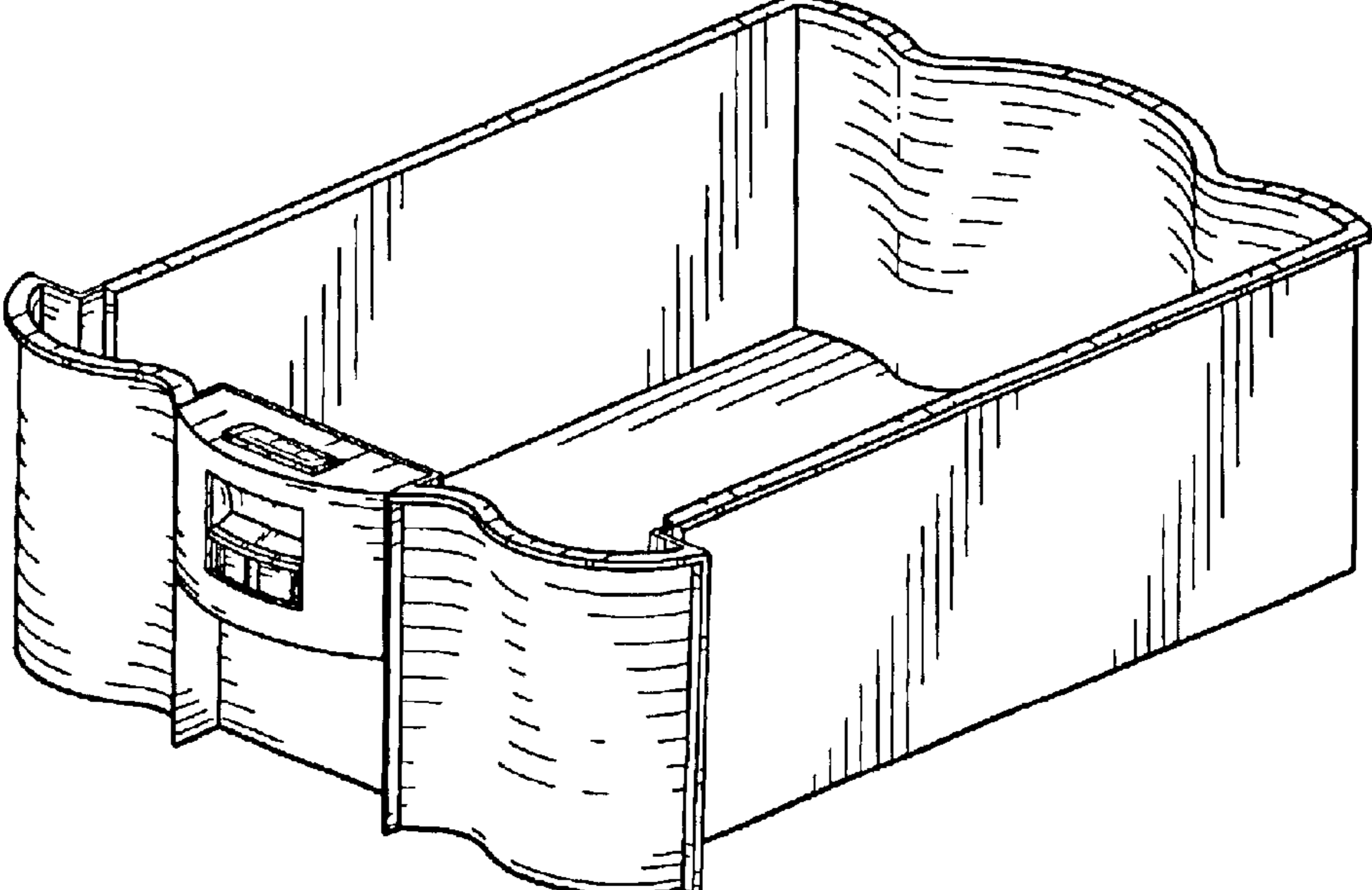
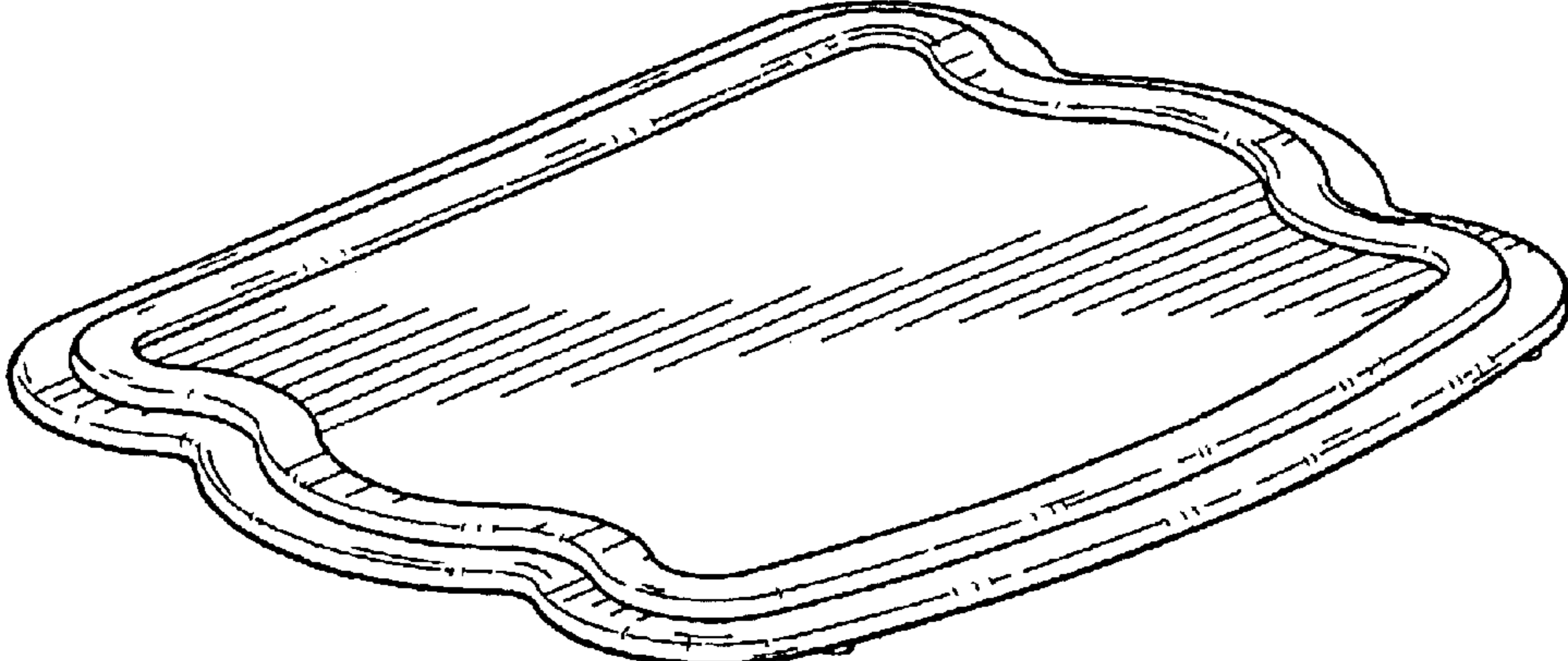
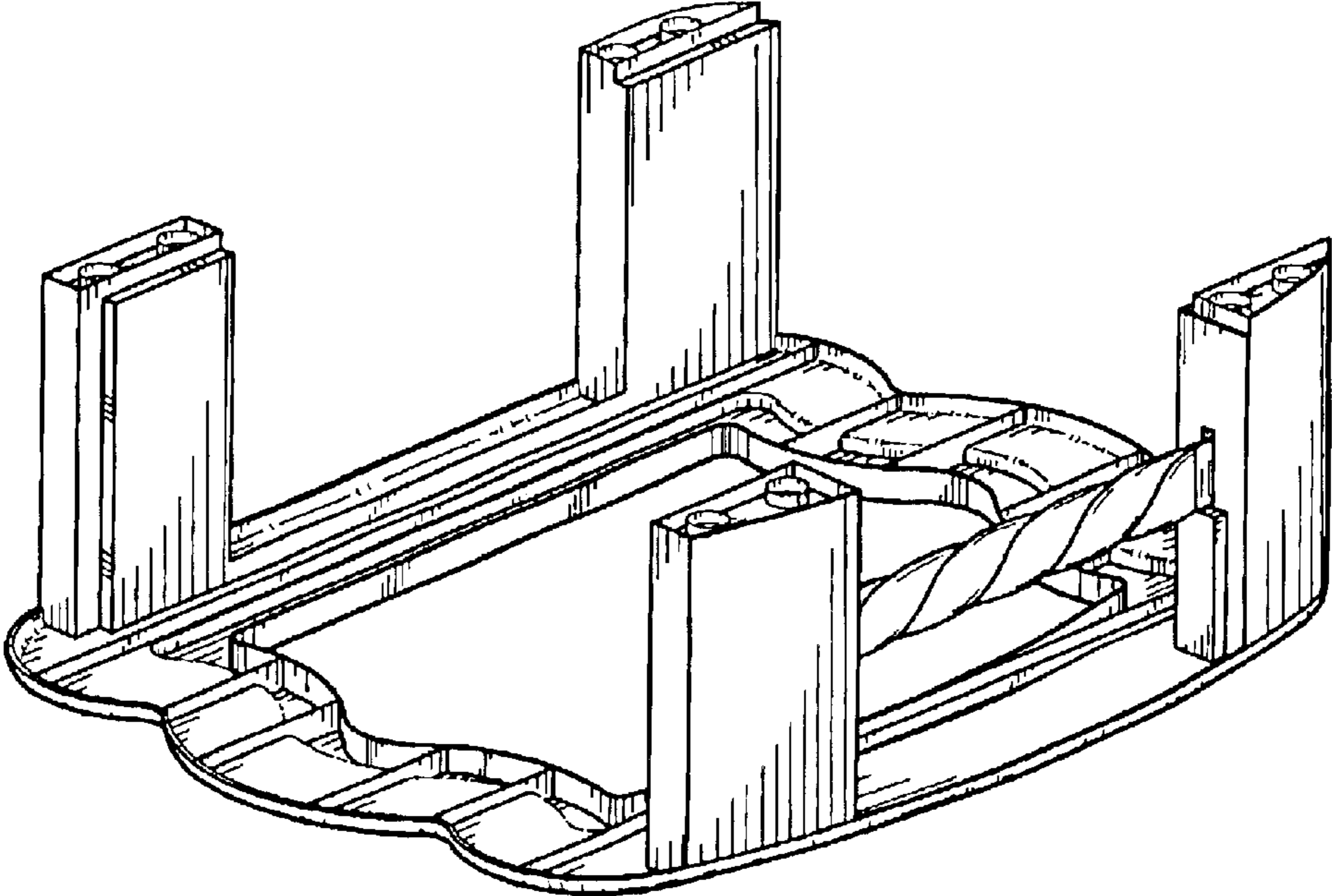


FIG. 2



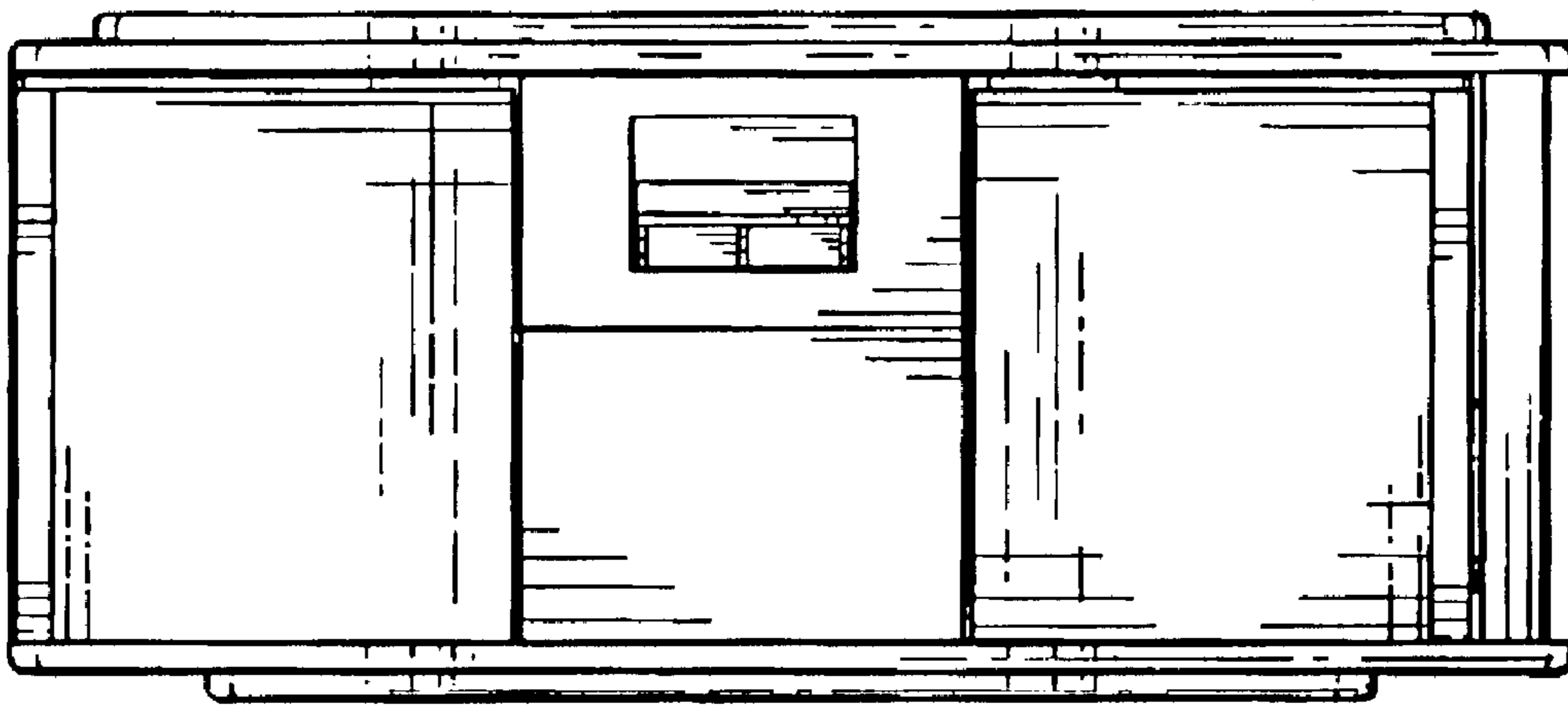


FIG. 3

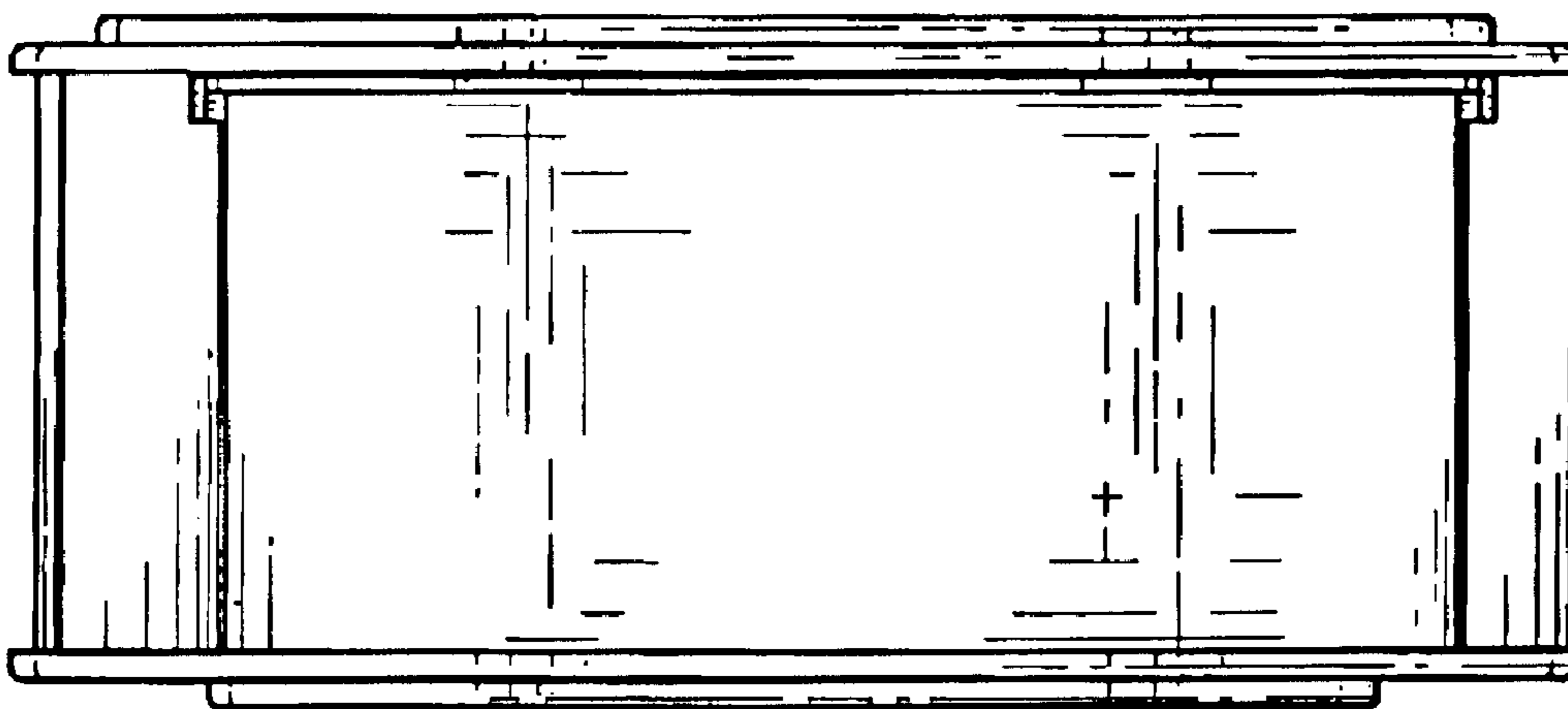


FIG. 4

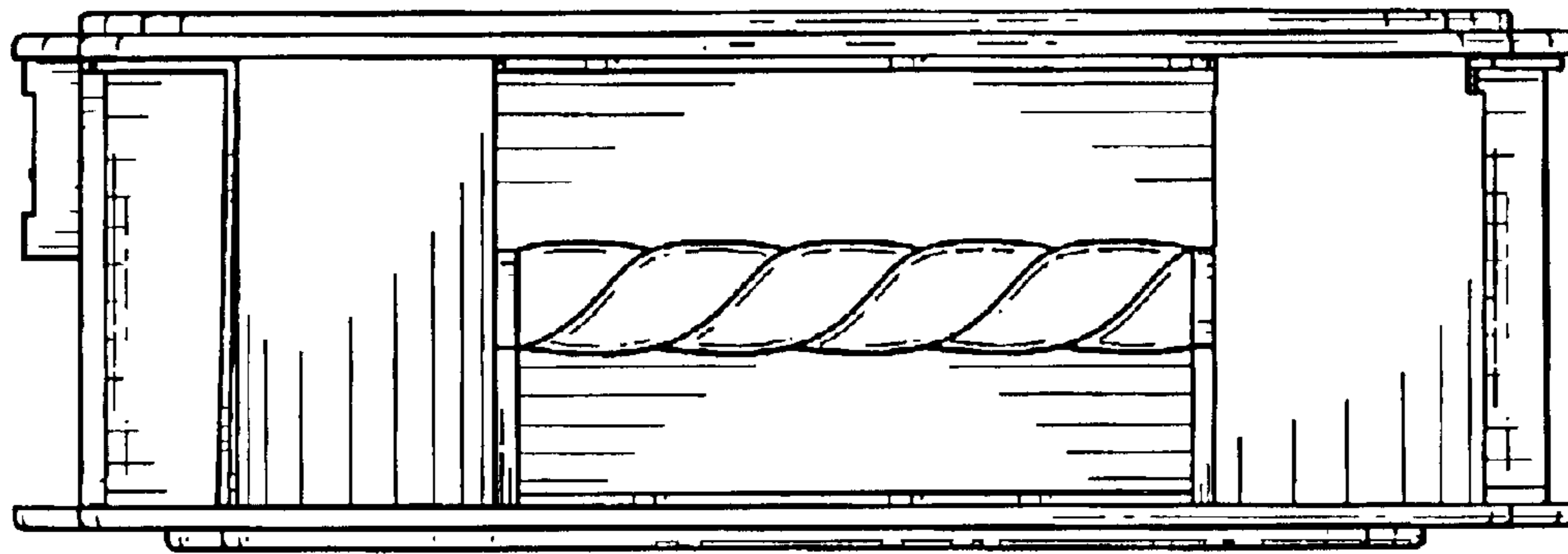


FIG. 5

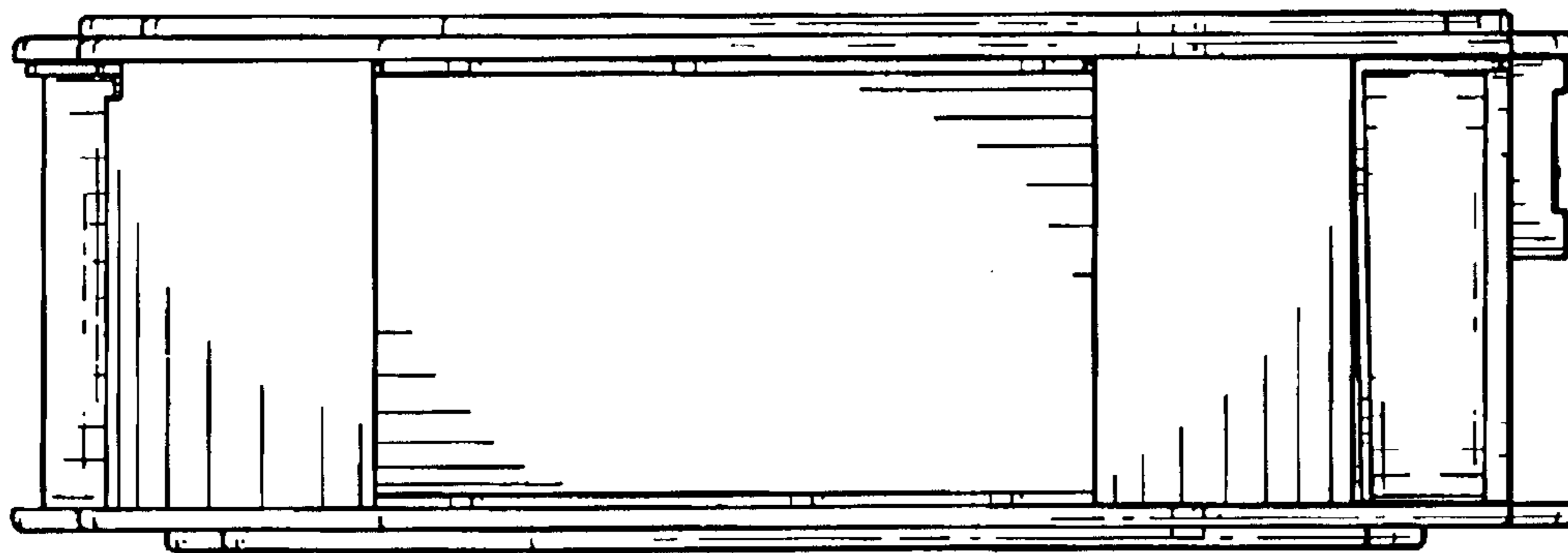


FIG. 6

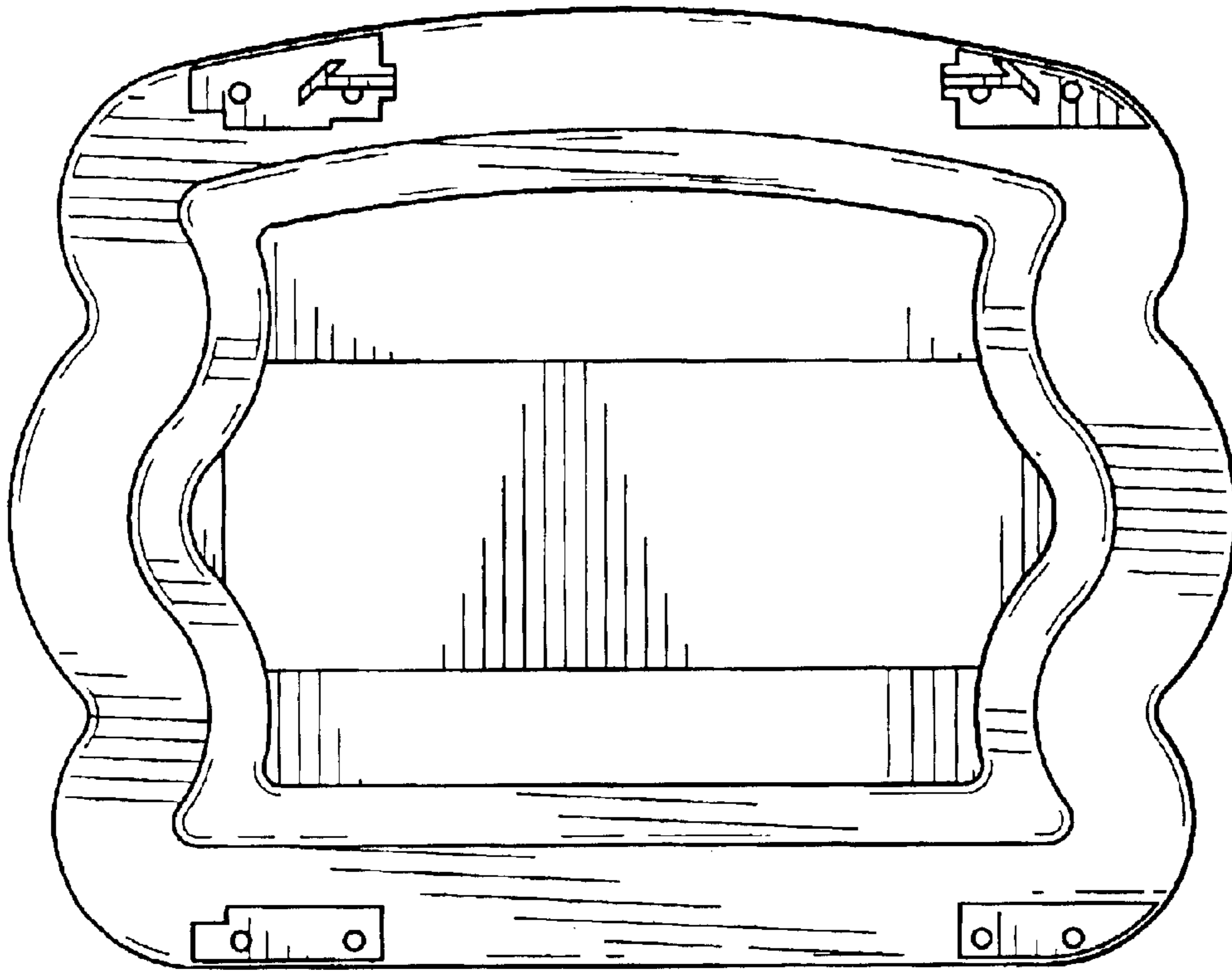


FIG. 8

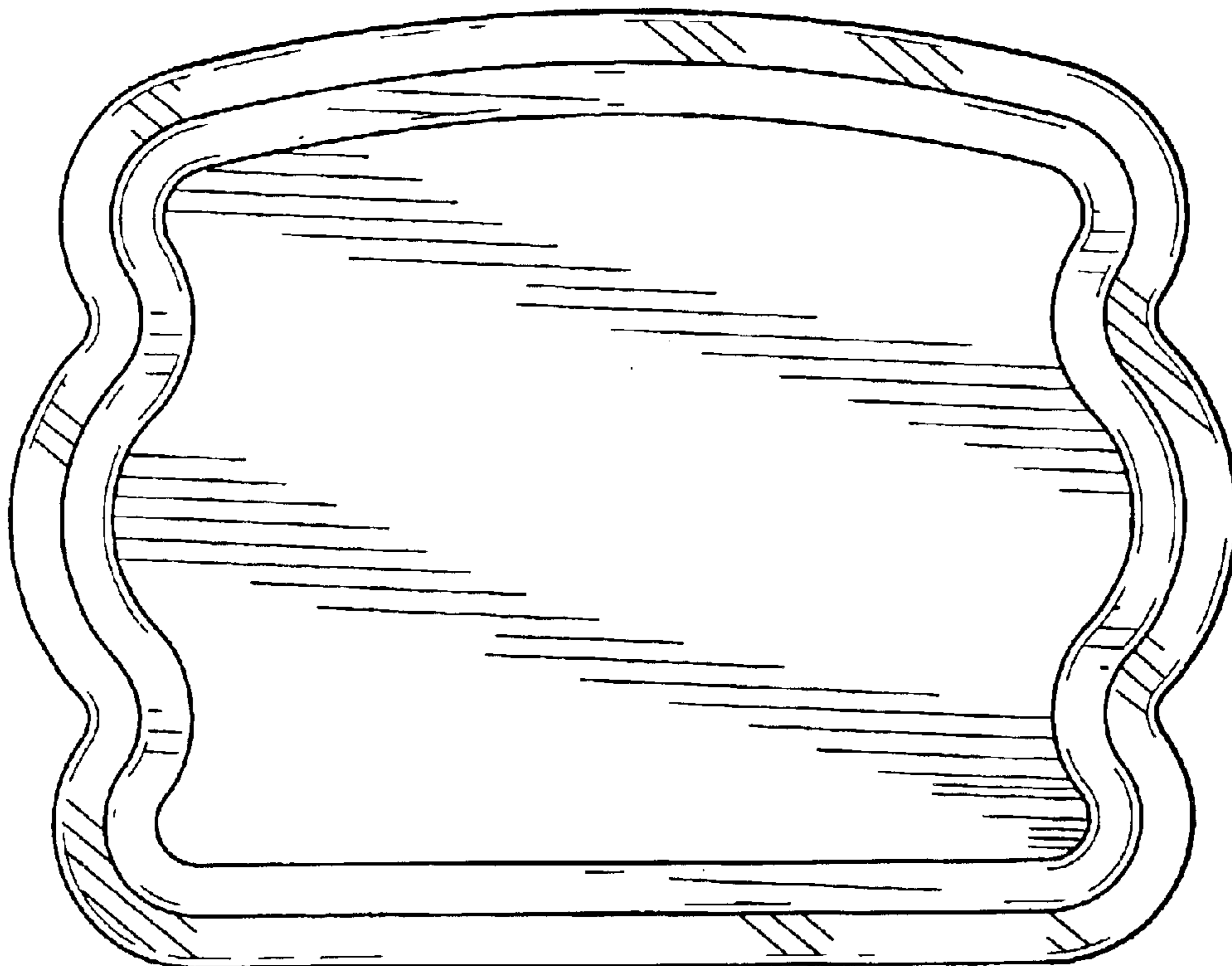


FIG. 7

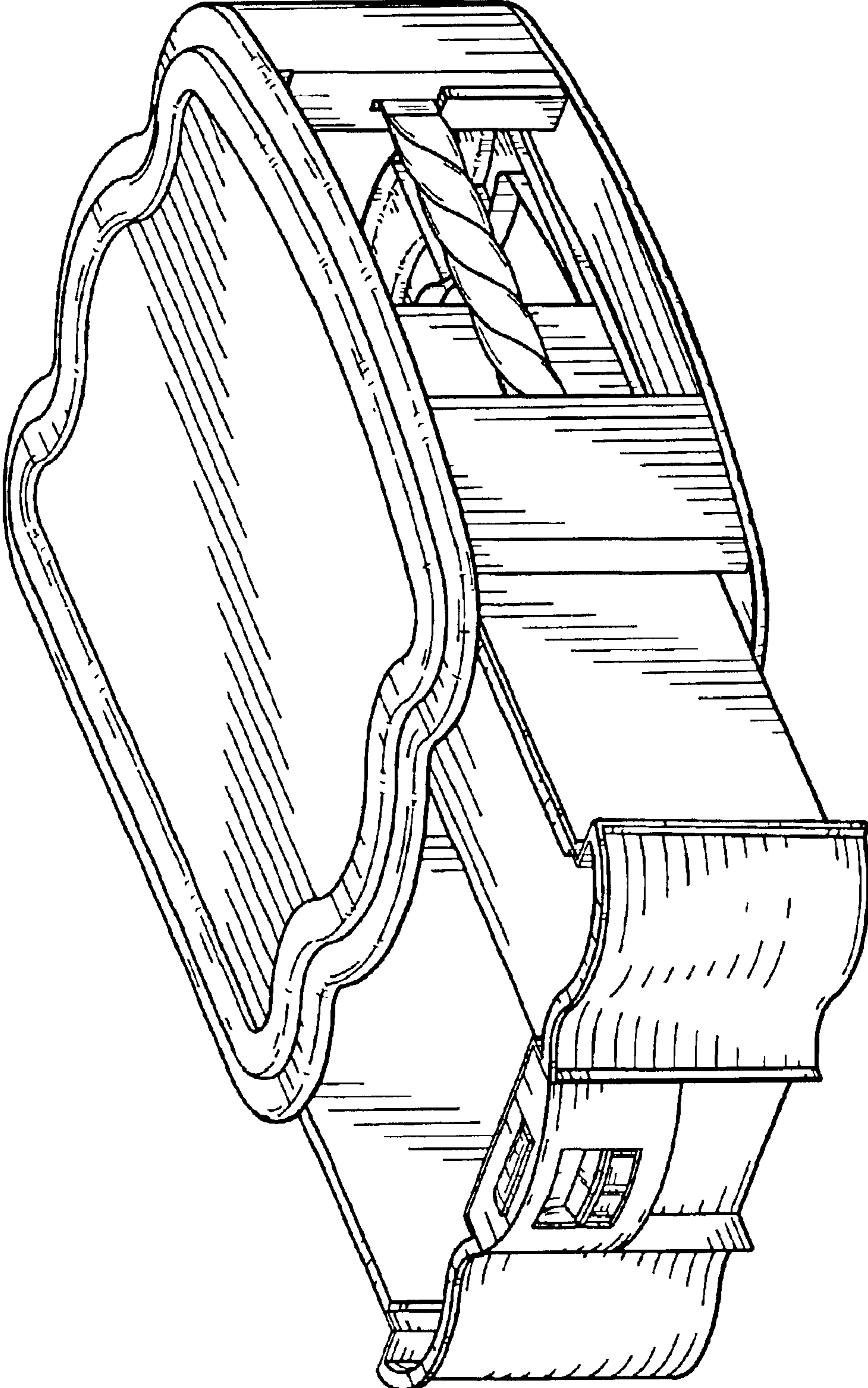


FIG. 9