



US00D499546S

(12) **United States Design Patent**
Smithers

(10) **Patent No.: US D499,546 S**

(45) **Date of Patent: ** Dec. 14, 2004**

(54) **PORTABLE ELECTRONIC DEVICE CARRIER**

2002/0043545 A1 * 4/2002 Tang 224/600

* cited by examiner

(76) **Inventor: Matthew Charles Smithers, 502 Price Dr., Lewisville, TX (US) 75067**

Primary Examiner—Catherine R. Oliver

(**) **Term: 14 Years**

(57) **CLAIM**

The ornamental design for a portable electronic device carrier, as shown.

(21) **Appl. No.: 29/195,116**

(22) **Filed: Dec. 5, 2003**

DESCRIPTION

(51) **LOC (7) Cl. 03-01**

(52) **U.S. Cl. D3/218**

(58) **Field of Search** D3/215, 218, 224, D3/226, 228, 219; 224/600, 250, 930, 682-683; 379/455; 455/100

FIG. 1 is a front elevational view of a portable electronic device carrier showing my new design; FIG. 2 is a rear elevational view thereof; FIG. 3 is a front top view thereof; FIG. 4 is a back top view thereof; FIG. 5 is a right side view thereof; and, FIG. 6 is a bottom end view thereof.

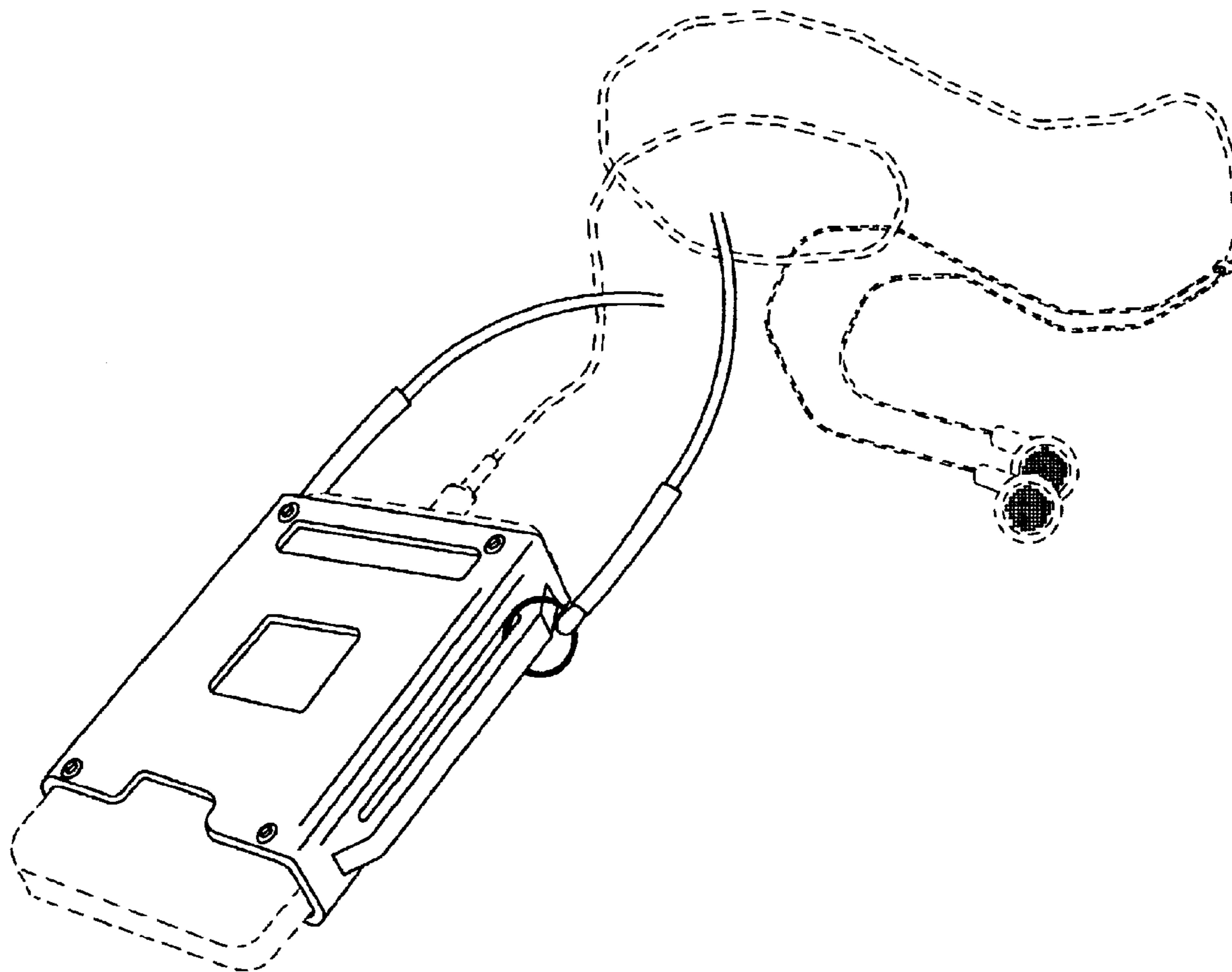
The electronic device is shown in dashed lines for illustrative purposes only and forms no part of the claimed design.

(56) **References Cited**

U.S. PATENT DOCUMENTS

- D472,373 S * 4/2003 Hillman D3/218
- D485,060 S * 1/2004 DeCotis D3/215

1 Claim, 2 Drawing Sheets



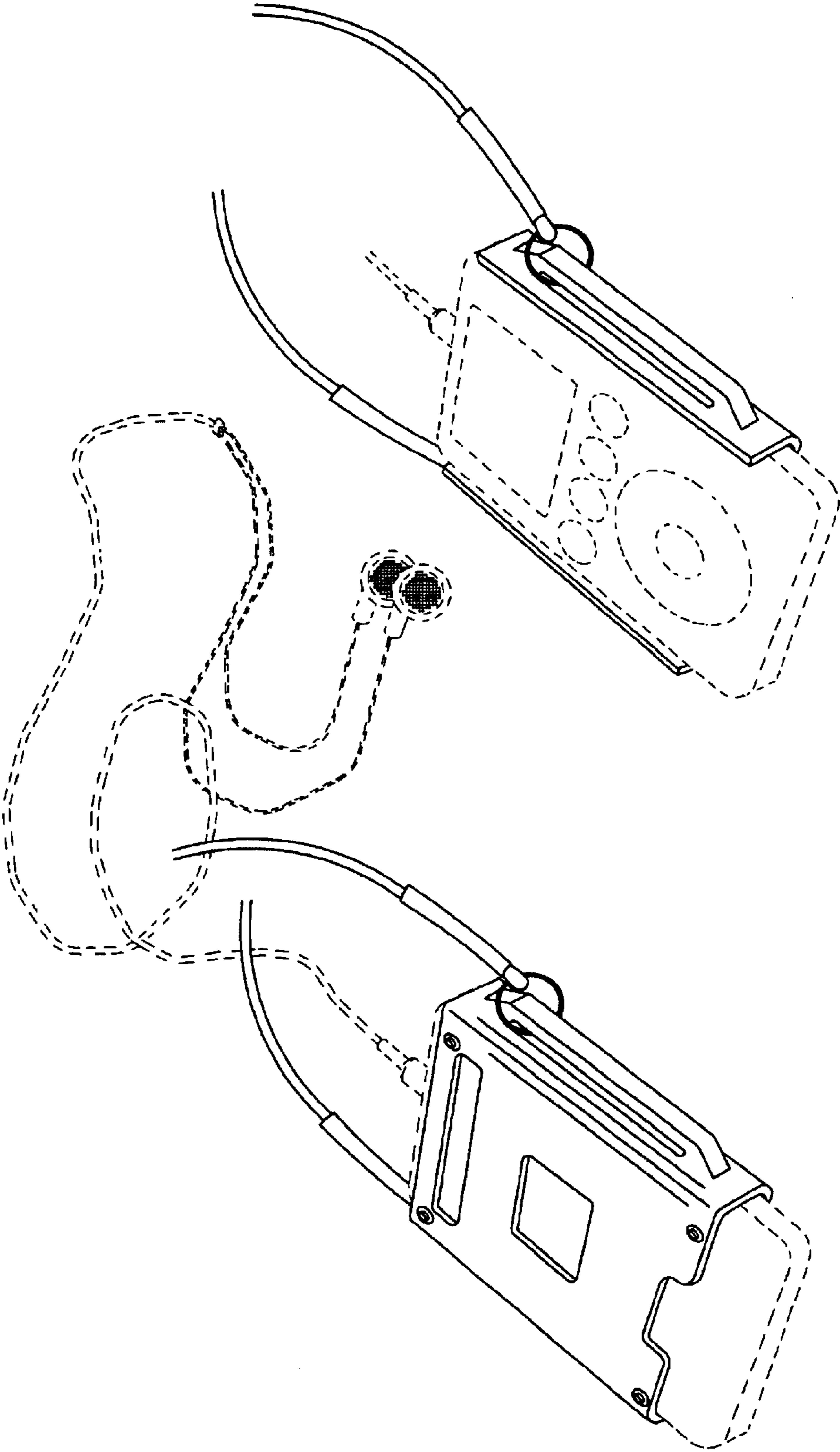


Fig 1

Fig 2

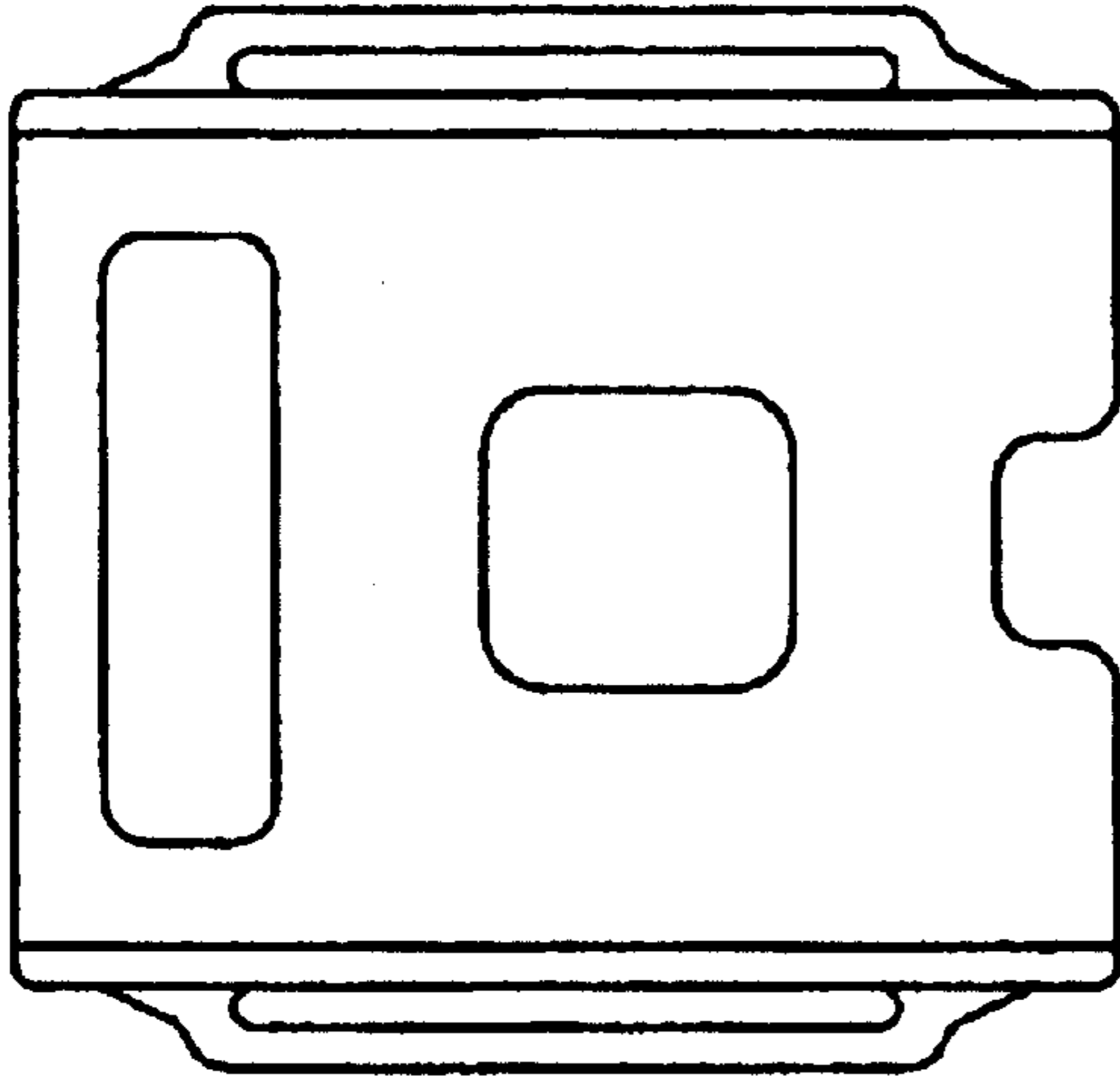


Fig 3

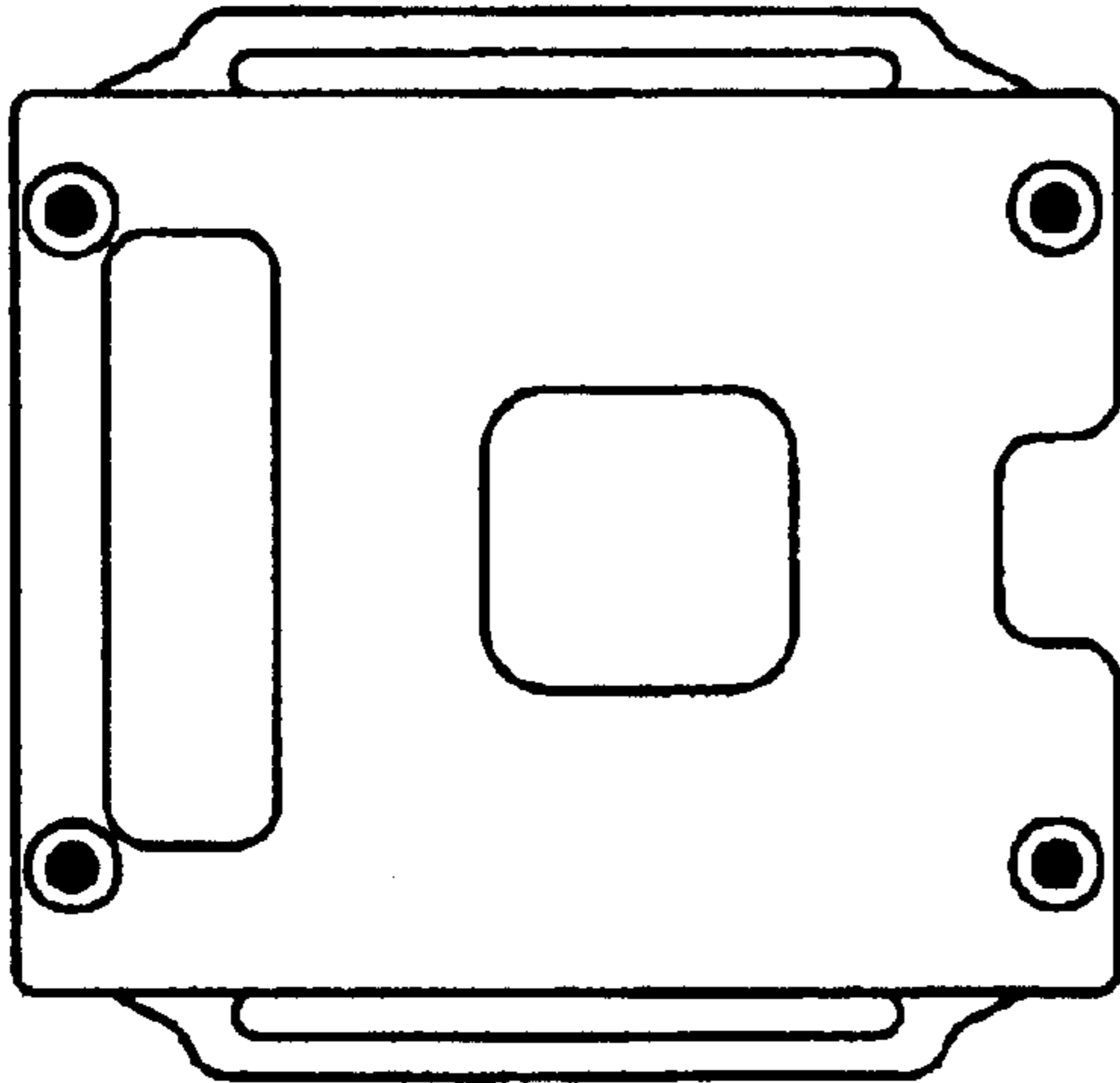


Fig 4

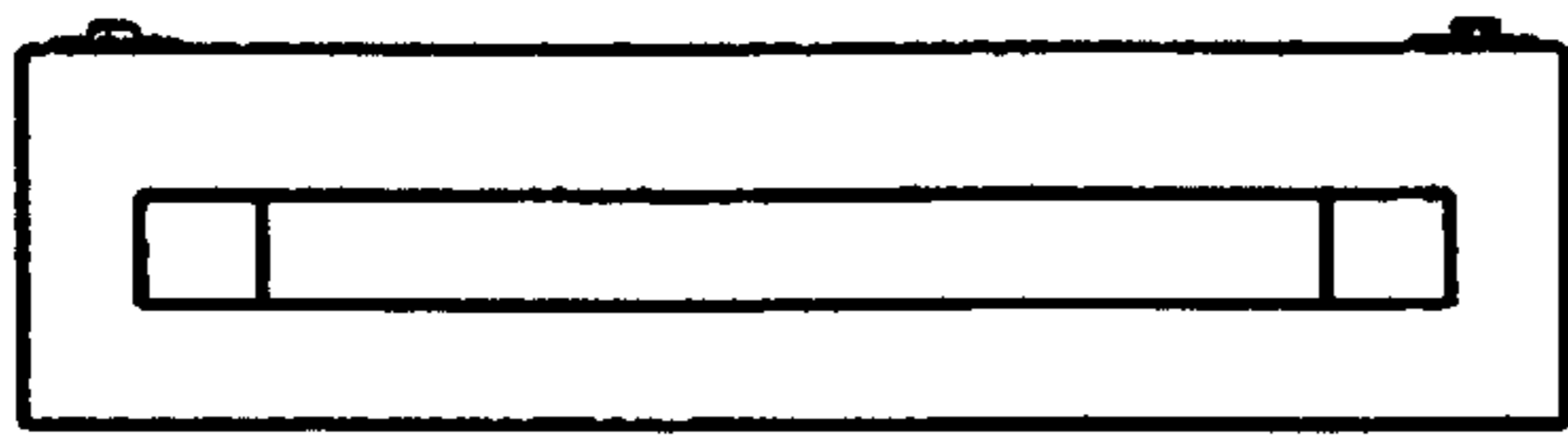


Fig 5

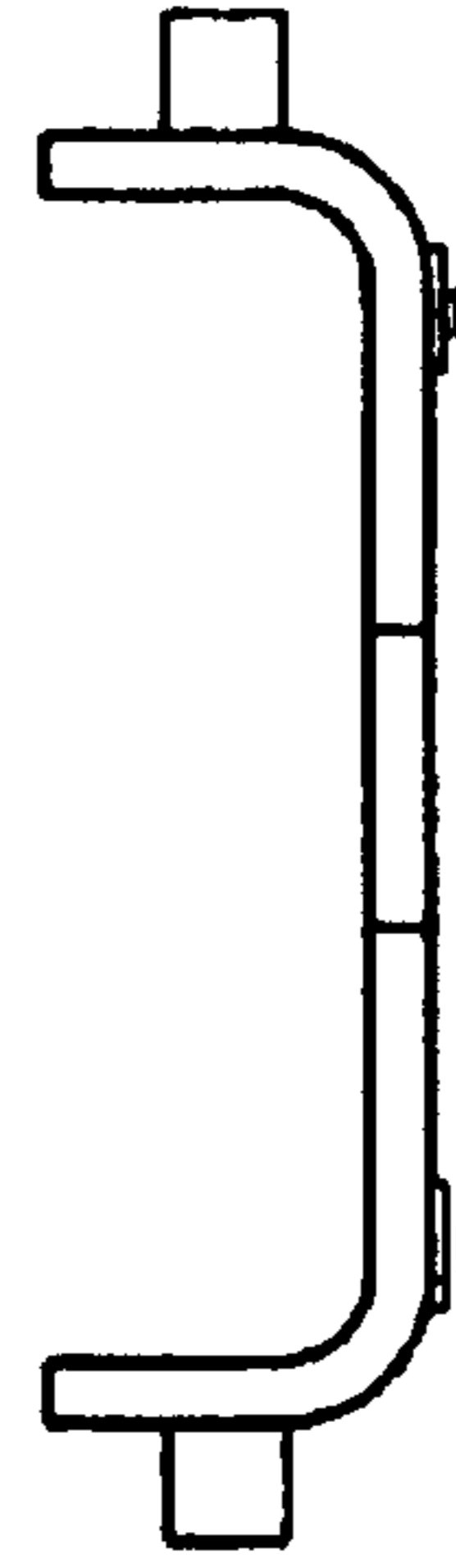


Fig 6