



US00D499543S

(12) **United States Design Patent**
Johnson

(10) **Patent No.:** **US D499,543 S**

(45) **Date of Patent:** **** Dec. 14, 2004**

(54) **KEY SHAPED KEY CLIP DESIGN FOR PERMITTING KEY RINGS AND THE LIKE TO BE ATTACHED THERETO**

Primary Examiner—Ralf Seifert
(74) *Attorney, Agent, or Firm*—Lewis and Roca LLP

(76) **Inventor:** **Kathleen K. Johnson**, 1400 Colorado St., Suite C, Boulder City, NV (US) 89005

(57) **CLAIM**

The ornamental design of the key shaped key clip design for permitting key rings and the like to be attached thereto, as shown and described.

(**) **Term:** **14 Years**

DESCRIPTION

(21) **Appl. No.:** **29/188,692**

FIG. 1 is a perspective view of one embodiment of the key shaped key clip design for permitting key rings and the like to be attached thereto of this invention.

(22) **Filed:** **Aug. 22, 2003**

(51) **LOC (7) Cl.** **03-01**

FIG. 2 is a front elevation horizontal view of the key shaped key clip design for permitting key rings and the like to be attached thereto of FIG. 1.

(52) **U.S. Cl.** **D3/211**

(58) **Field of Search** D11/1-2, 40-43, D11/44, 48-49, 53, 56-57, 59, 60, 63, 65, 79-82, 83, 91, 95-97, 99-101, 106, 114-115; 63/1.11, 18-20; D3/207-211

FIG. 3 a rear side elevation horizontal view of the key shaped key clip design for permitting key rings and the like to be attached thereto of FIG. 1.

(56) **References Cited**

U.S. PATENT DOCUMENTS

2,231,308	A	*	2/1941	Bell et al.	24/3.6
D248,515	S		7/1978	Olson		
5,365,760	A	*	11/1994	Song	70/460
5,768,924	A	*	6/1998	Song	70/408
D439,401	S	*	3/2001	Johnson	D3/211
D478,207	S		8/2003	Johnson		

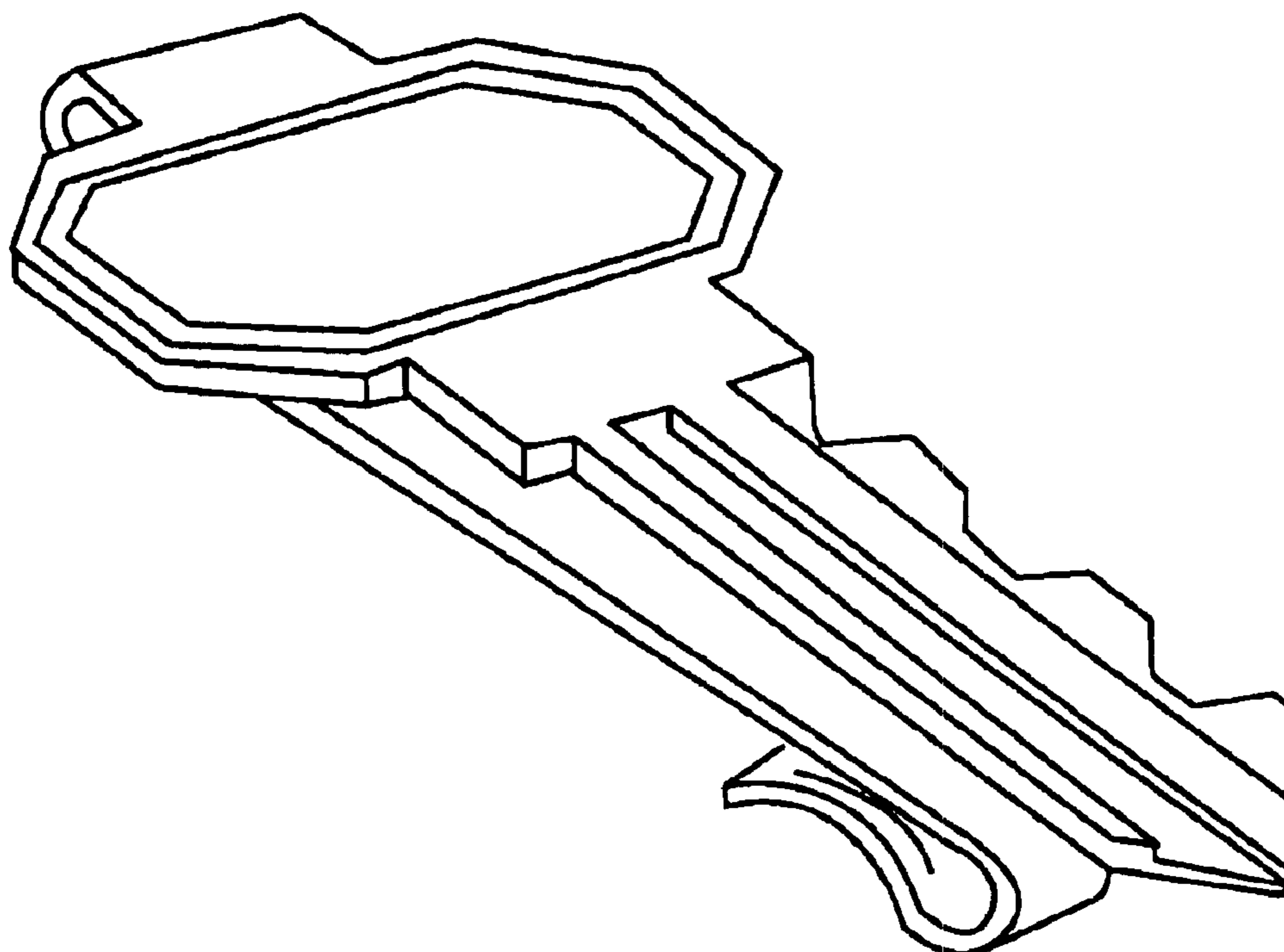
FIG. 4 is a side view elevation of the key shaped key clip design for permitting key rings and the like to be attached thereto of FIG. 2.

FIG. 5 is a bottom end elevation view of the key shaped key clip design for permitting key rings and the like to be attached thereto of FIG. 4; and,

FIG. 6 is a top end elevation view of the key shaped key clip design for permitting key rings and the like to be attached thereto of FIG. 4.

* cited by examiner

1 Claim, 3 Drawing Sheets



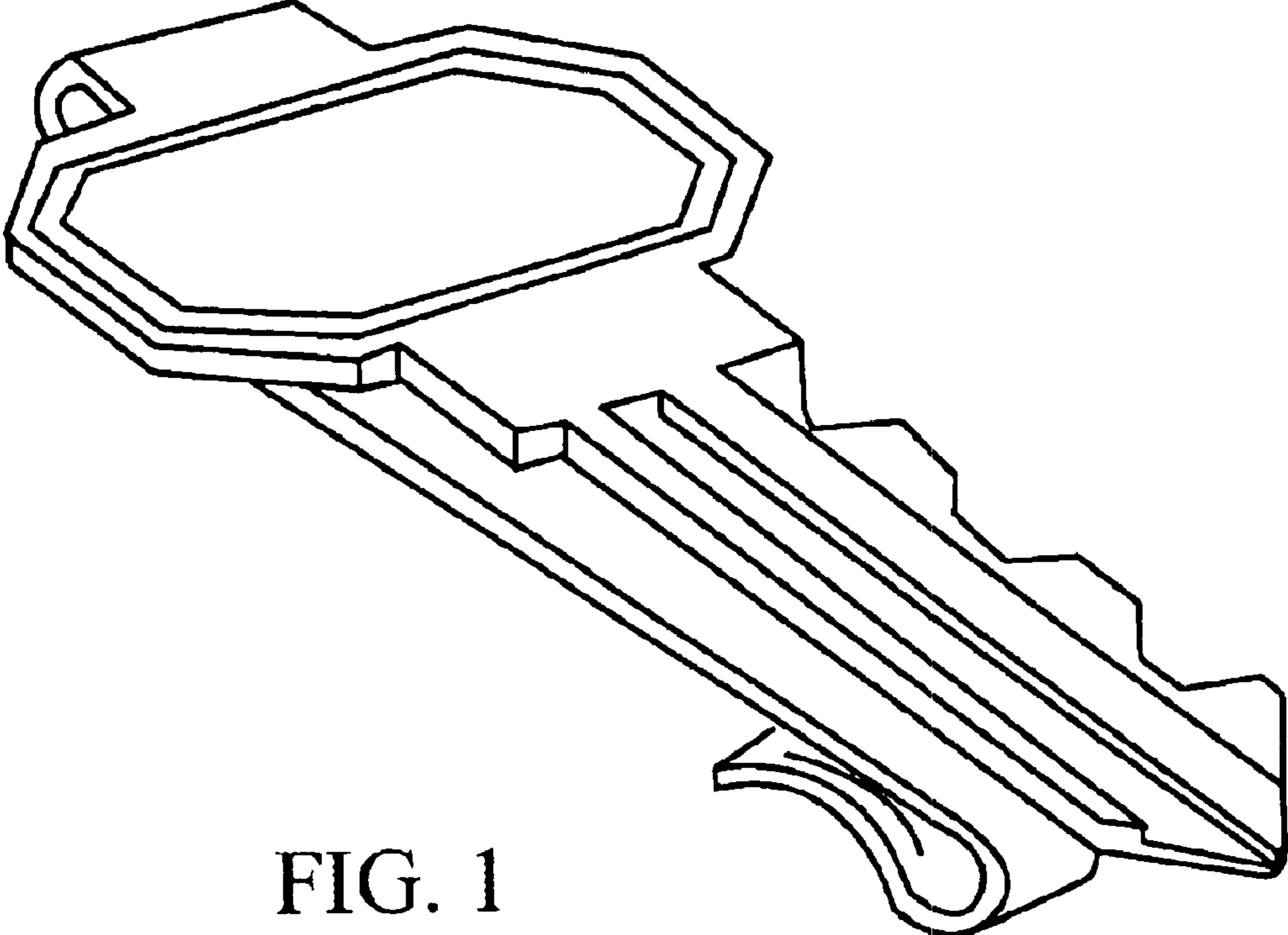


FIG. 1

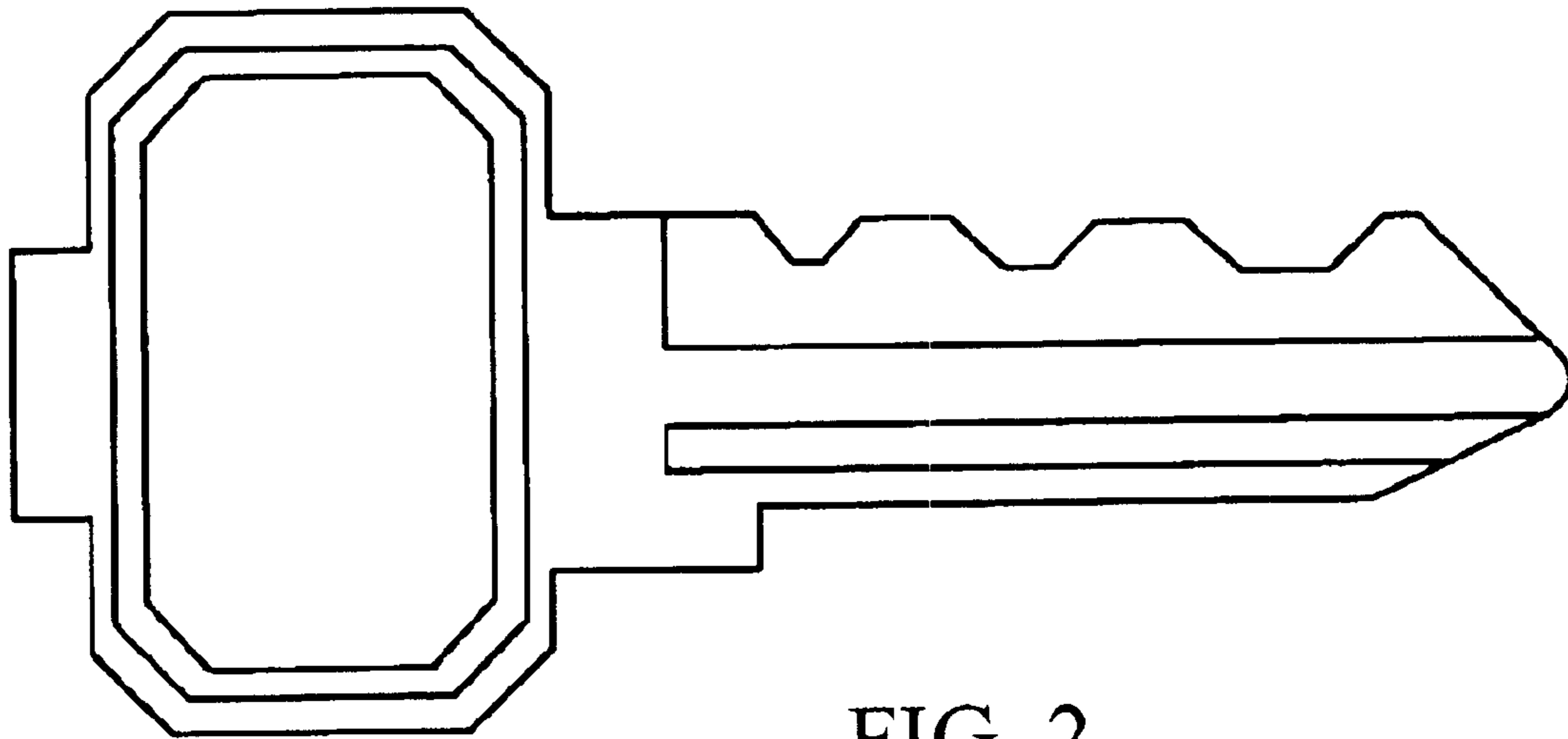


FIG. 2

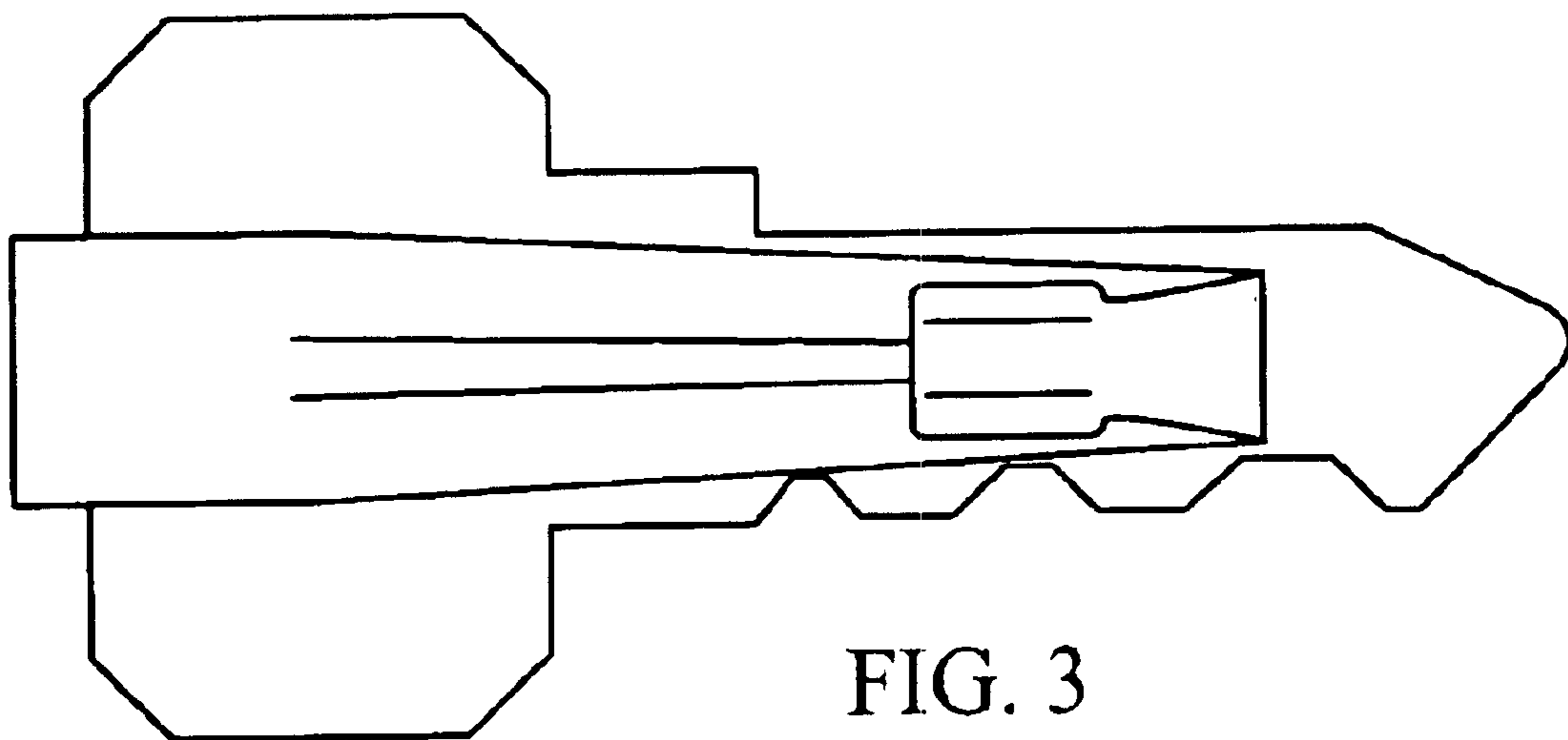


FIG. 3

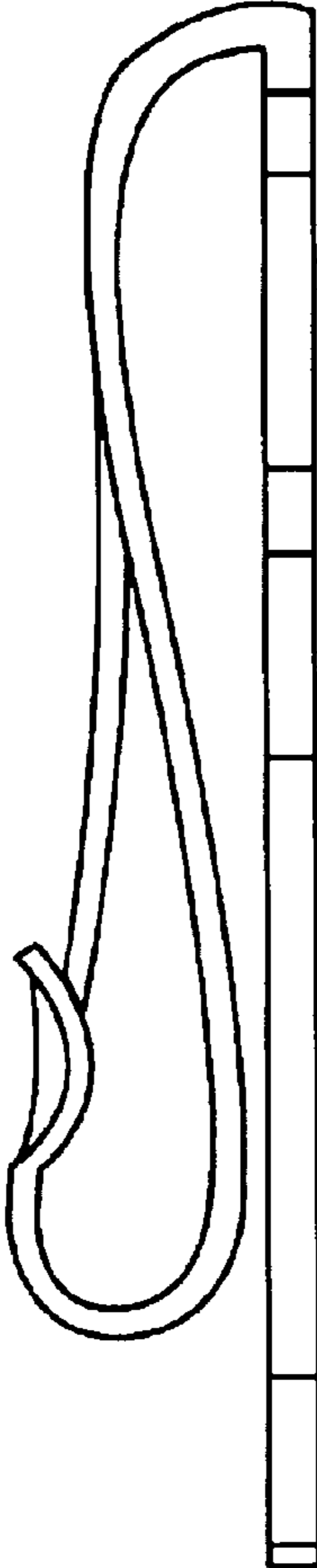


FIG. 4

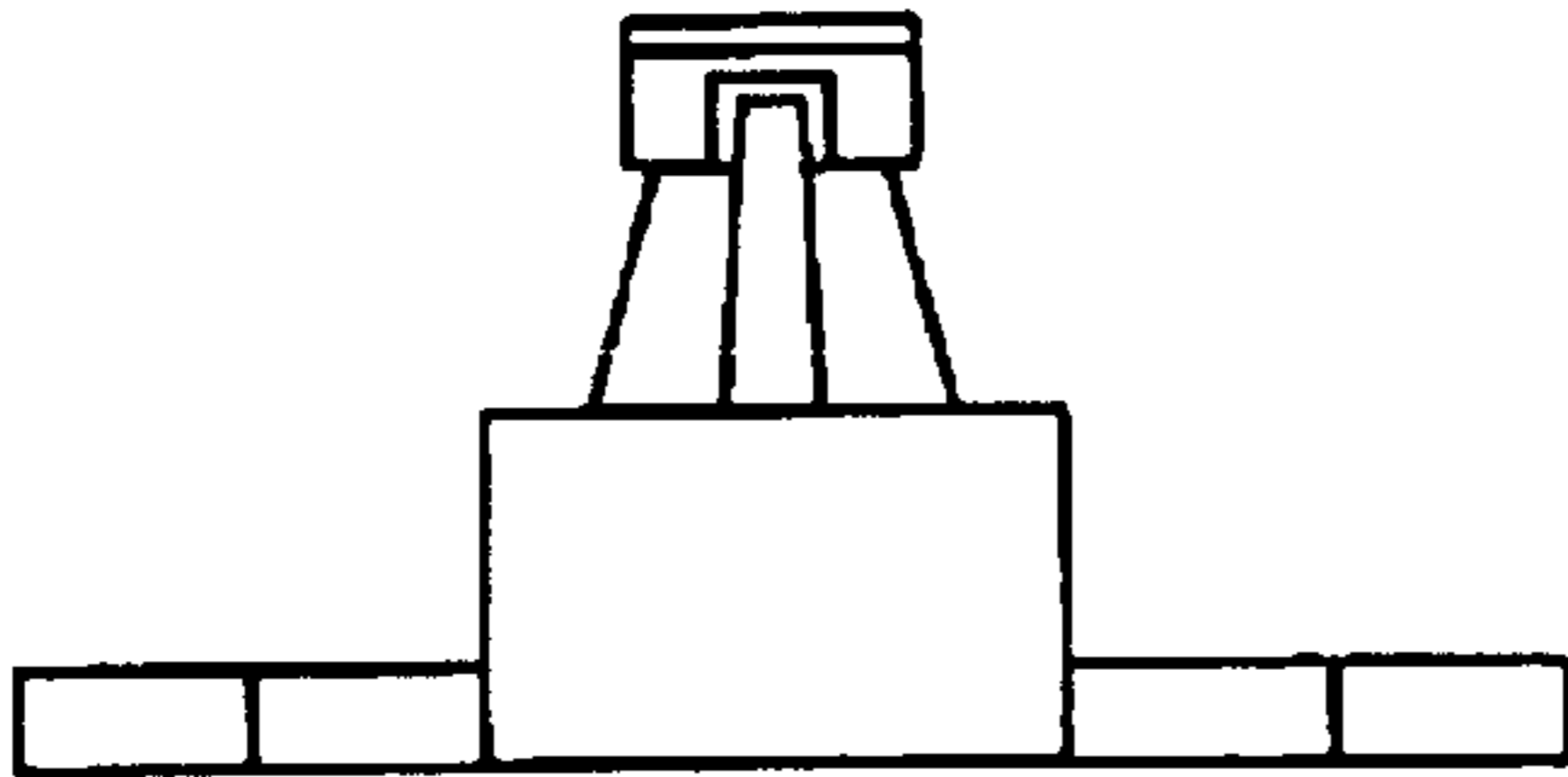


FIG. 5

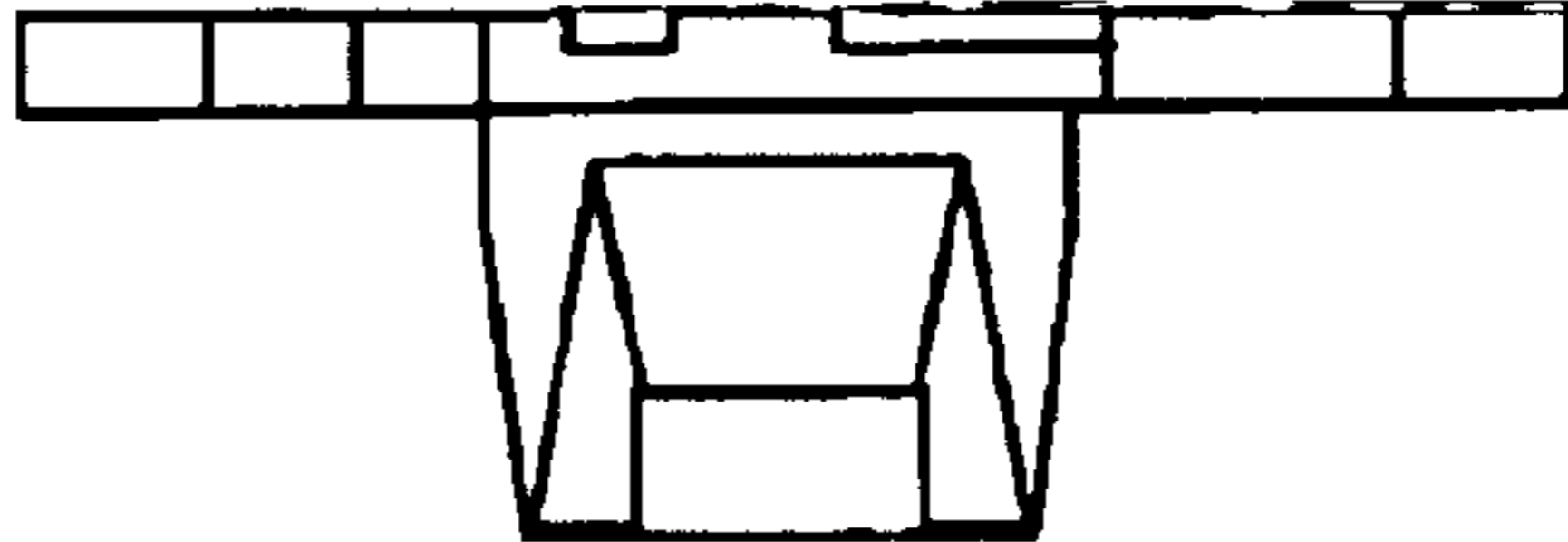


FIG. 6