

US00D499538S

(12) **United States Design Patent**
Burg et al.

(10) **Patent No.: US D499,538 S**

(45) **Date of Patent: ** Dec. 14, 2004**

(54) **FOOTWEAR UPPER**

(75) Inventors: **Christjane Burg**, Ventura, CA (US);
Salvatore Oliva, Winthrop, MA (US)

(73) Assignee: **Global Brand Marketing Inc.**, Santa
Barbara, CA (US)

(**) Term: **14 Years**

(21) Appl. No.: **29/205,416**

(22) Filed: **May 13, 2004**

(51) **LOC (7) Cl. 02-99**

(52) **U.S. Cl. D2/969**

(58) **Field of Search** D2/907, 908, 943,
D2/944, 969, 972-974; 36/45, 50.1, 77 M,
77 R, 83, 88, 113, 114, 126-130

(56) **References Cited**

U.S. PATENT DOCUMENTS

D238,983 S	3/1976	Senter	D2/310
D238,984 S	3/1976	Senter	D2/310
D239,983 S	5/1976	Senter	D2/310
D302,070 S	7/1989	Kilgore et al.	D2/310
D305,701 S	* 1/1990	Whatley	D2/969
D342,149 S	12/1993	Berger et al.	D2/872
D349,187 S	8/1994	Close et al.	D2/972
D402,454 S	12/1998	Kelchak	D2/969
D435,164 S	12/2000	Reiss et al.	D2/972
D436,720 S	1/2001	Debiase	D2/972
D440,754 S	4/2001	Bathum	D2/972
D446,920 S	8/2001	Duclos	D2/969
D451,266 S	12/2001	Schroeder et al.	D2/969
D456,597 S	5/2002	Adams	D2/969
D465,910 S	11/2002	Shepper	D2/972

D467,713 S	12/2002	Adams et al.	D2/969
D468,896 S	1/2003	Adams et al.	D2/969
D472,039 S	3/2003	Schroeder et al.	D2/969
D472,042 S	3/2003	Masullo	D2/972
D472,370 S	4/2003	Masullo	D2/972
D473,046 S	4/2003	Schroeder et al.	D2/972
D474,008 S	5/2003	Masullo	D2/969
D477,455 S	7/2003	Adams	D2/969
D478,415 S	8/2003	Masullo	D2/972
D482,854 S	12/2003	Burg et al.	D2/969
D482,861 S	12/2003	St-Louis	D2/972
D486,300 S	2/2004	Goldman	D2/972
D486,633 S	2/2004	Adams	D2/969
D487,626 S	* 3/2004	Adams	D2/969

* cited by examiner

Primary Examiner—Dominic Simone

(74) *Attorney, Agent, or Firm*—Jeffer, Mangels, Butler &
Marmaro LLP

(57) **CLAIM**

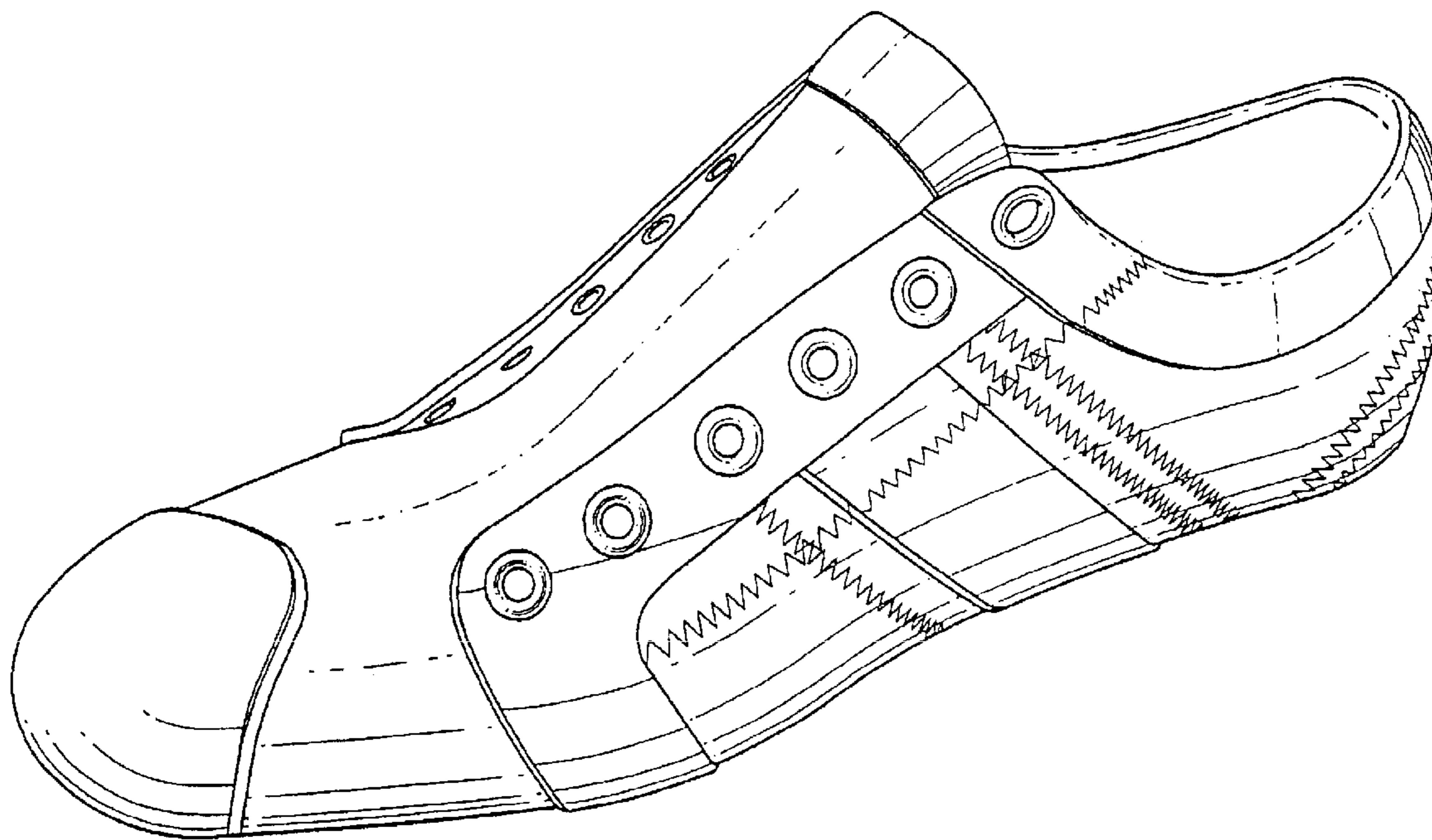
The ornamental design for a footwear upper, as shown and described.

DESCRIPTION

FIG. 1 is a perspective view of a preferred embodiment of the footwear upper;
FIG. 2 is a front elevational view thereof;
FIG. 3 is a rear elevational view thereof;
FIG. 4 is a right side elevational view thereof;
FIG. 5 is a left side elevational view thereof; and,
FIG. 6 is a top plan view thereof.

The broken line shown at the bottom of FIG. 2 is provided only to show that the inside surface of the upper forms no part of the claimed design.

1 Claim, 5 Drawing Sheets



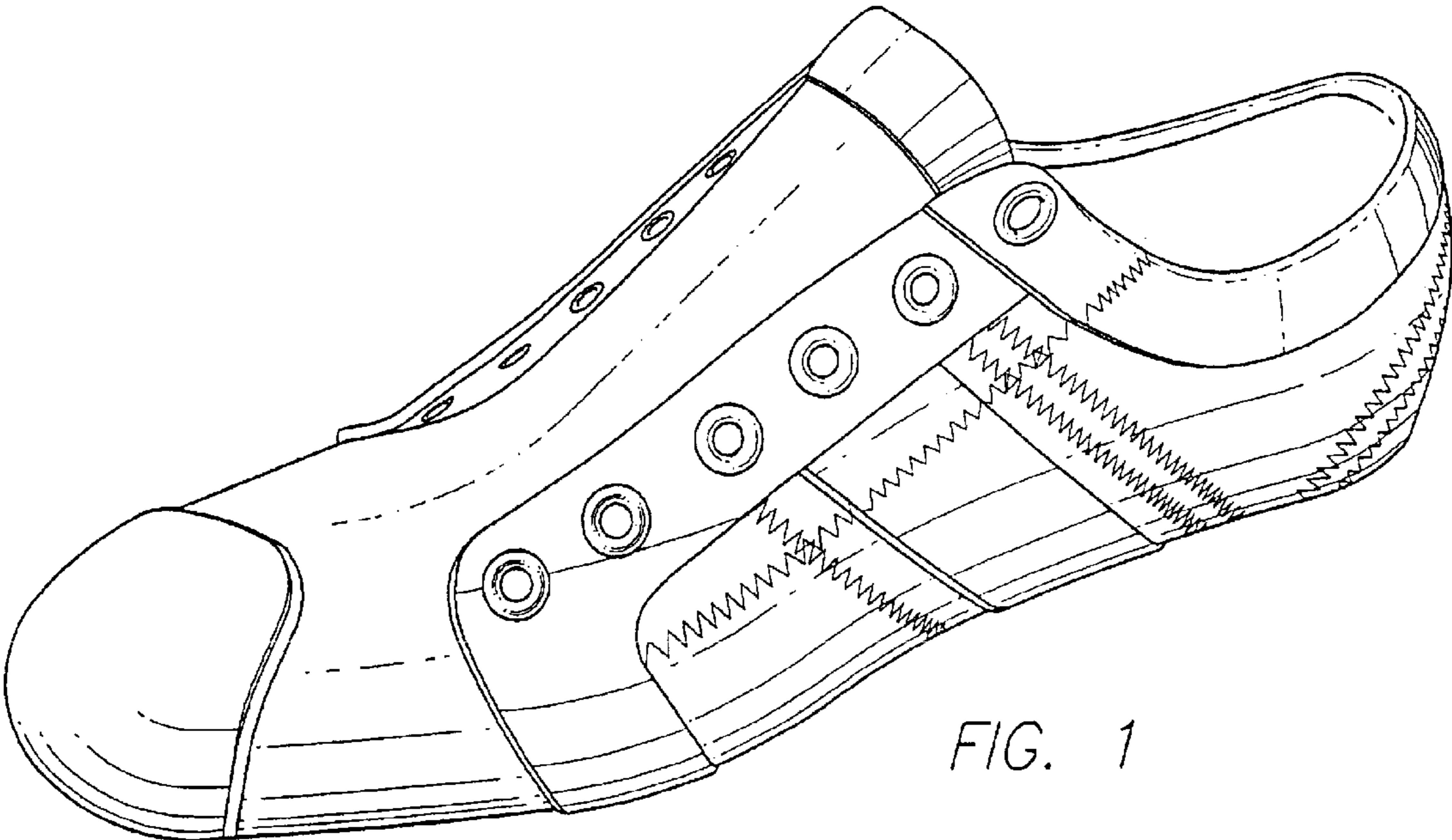


FIG. 1

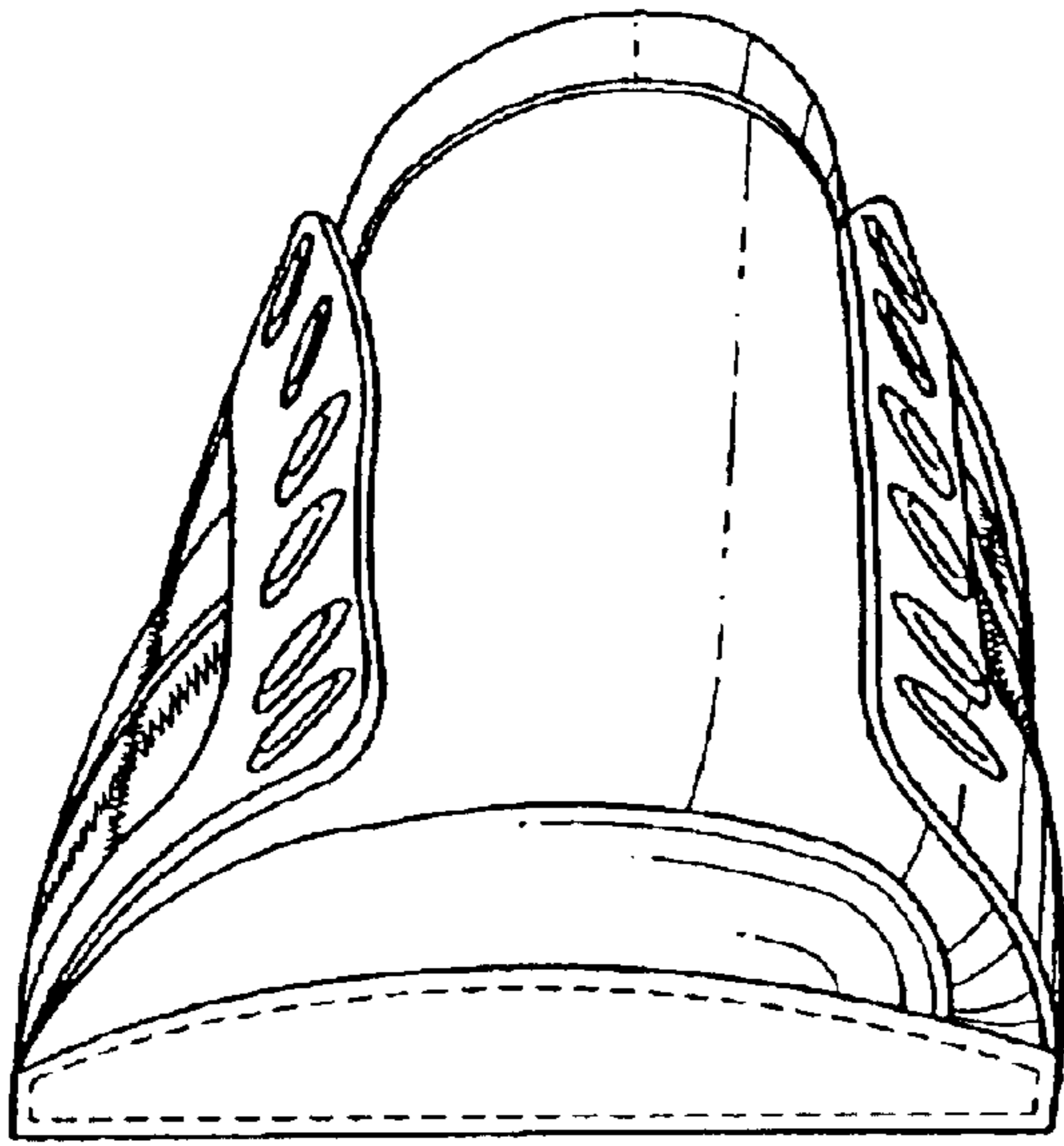


FIG. 2

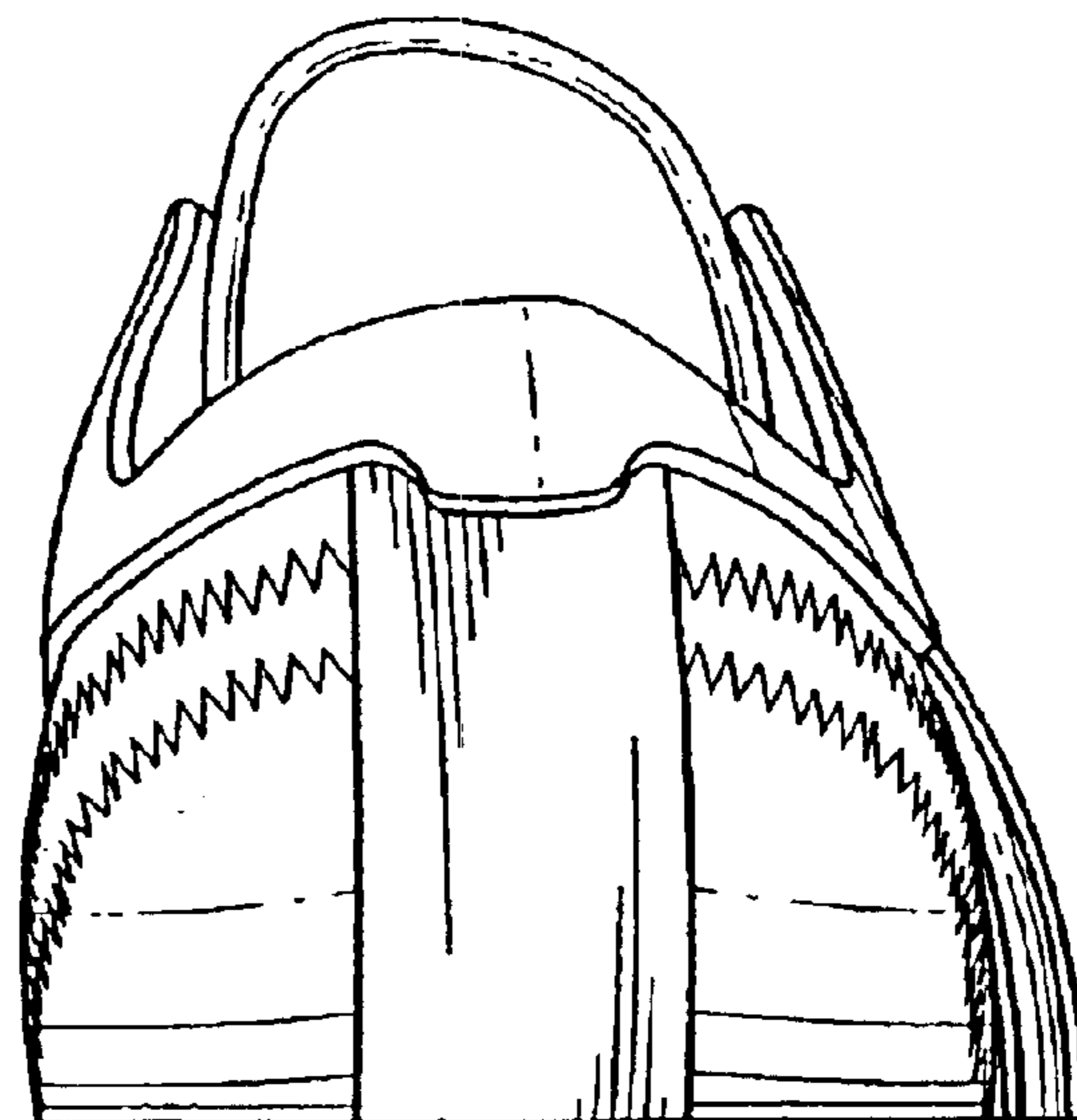


FIG. 3

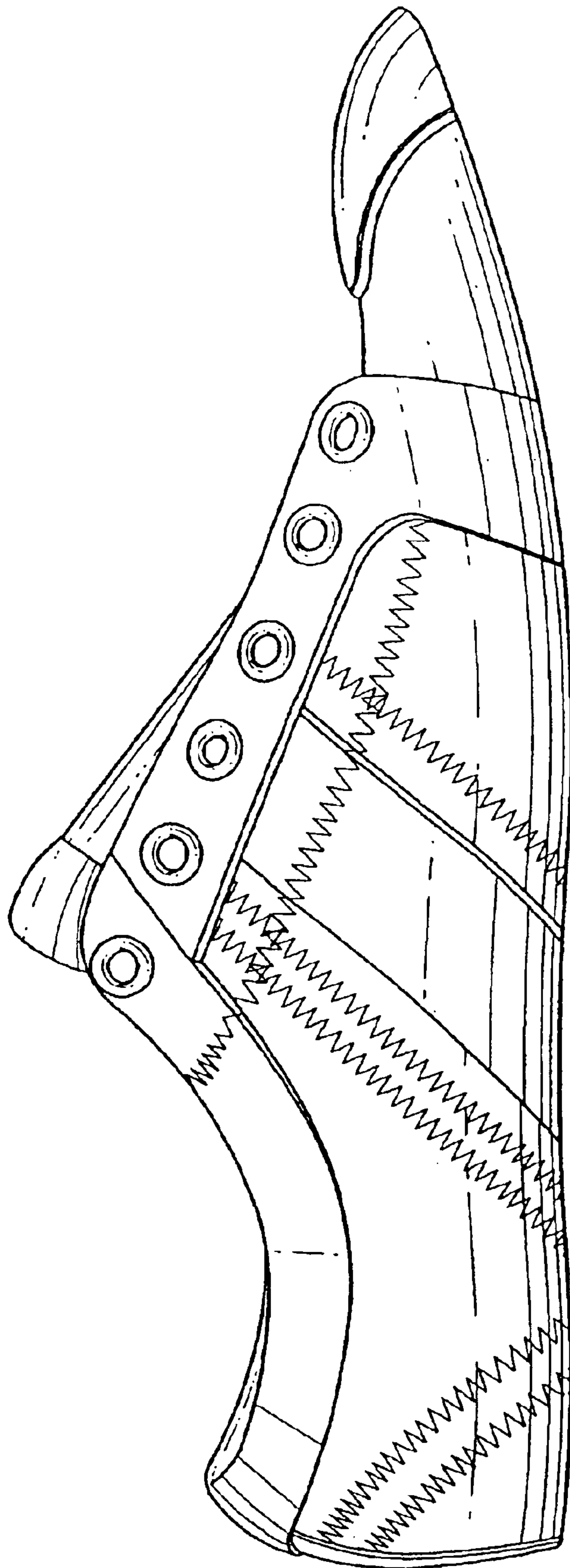


FIG. 4

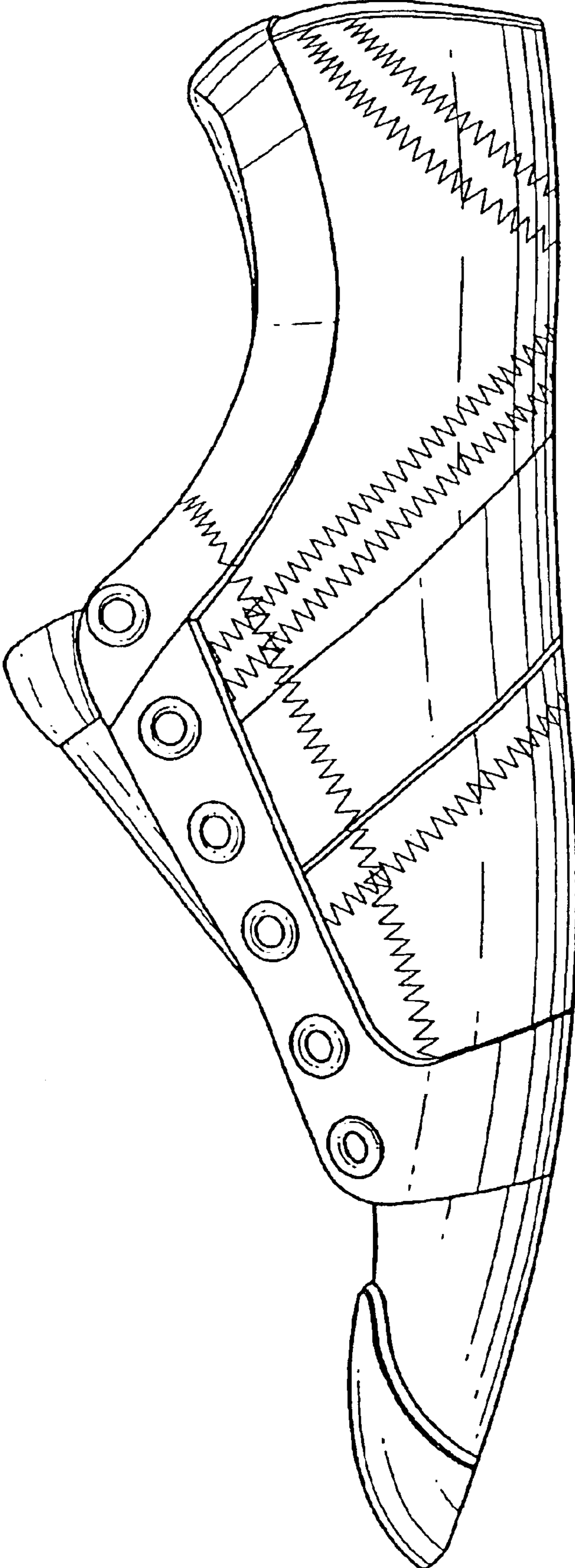


FIG. 5

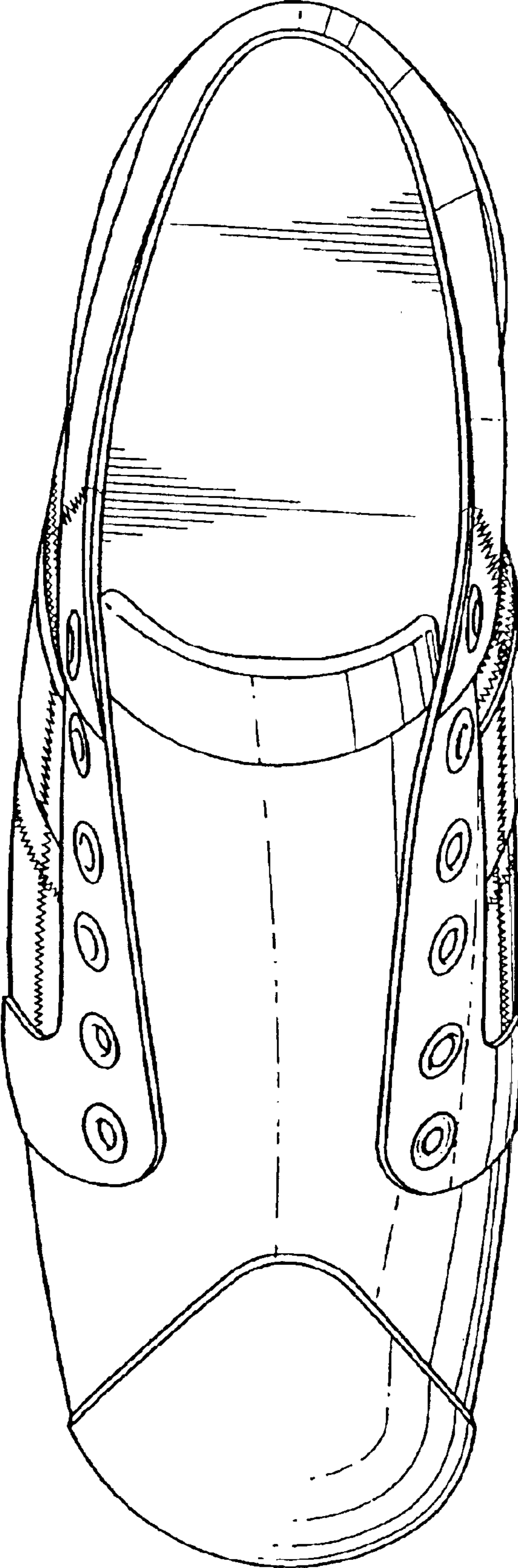


FIG. 6