

US00D499525S

(12) **United States Design Patent**
Paris et al.

(10) **Patent No.: US D499,525 S**

(45) **Date of Patent: ** Dec. 7, 2004**

(54) **SECURITY SAFE INTERIOR**

(75) Inventors: **Chad P. Paris**, Coram, NY (US); **Scott W. Osiecki**, Skaneateles, NY (US)

(73) Assignee: **John D. Brush & Co., Inc.**, Rochester, NY (US)

(**) Term: **14 Years**

(21) Appl. No.: **29/176,717**

(22) Filed: **Feb. 26, 2003**

(51) **LOC (7) Cl.** **99-00**

(52) **U.S. Cl.** **D99/35**

(58) **Field of Search** D99/28, 34, 35,
D99/36, 41, 43; 70/77; D6/430, 433; 211/64,
153; 312/108, 111, 198, 257.1, 263, 223.1,
234, 292, 293.1

(56) **References Cited**

U.S. PATENT DOCUMENTS

- 1,833,081 A * 11/1931 Kilmer 217/36
- 2,088,459 A * 7/1937 Bennett et al. 70/77
- D206,033 S * 10/1966 Koch D99/28

- D209,793 S * 1/1968 Hinohara D99/28
- 3,779,623 A * 12/1973 Motohashi 312/257.1
- D291,163 S * 8/1987 Kwiecinski D6/430
- 5,931,553 A * 8/1999 Cohen 312/263
- 6,042,207 A * 3/2000 Crosby et al. 312/351
- 6,099,092 A * 8/2000 Uffner et al. 312/108
- 6,443,542 B1 * 9/2002 Lindquist et al. 312/198
- D484,670 S * 12/2003 Robinson D99/35

* cited by examiner

Primary Examiner—Paula A. Greene

(74) *Attorney, Agent, or Firm*—Jaeckle Fleischmann & Mugel, LLP

(57) **CLAIM**

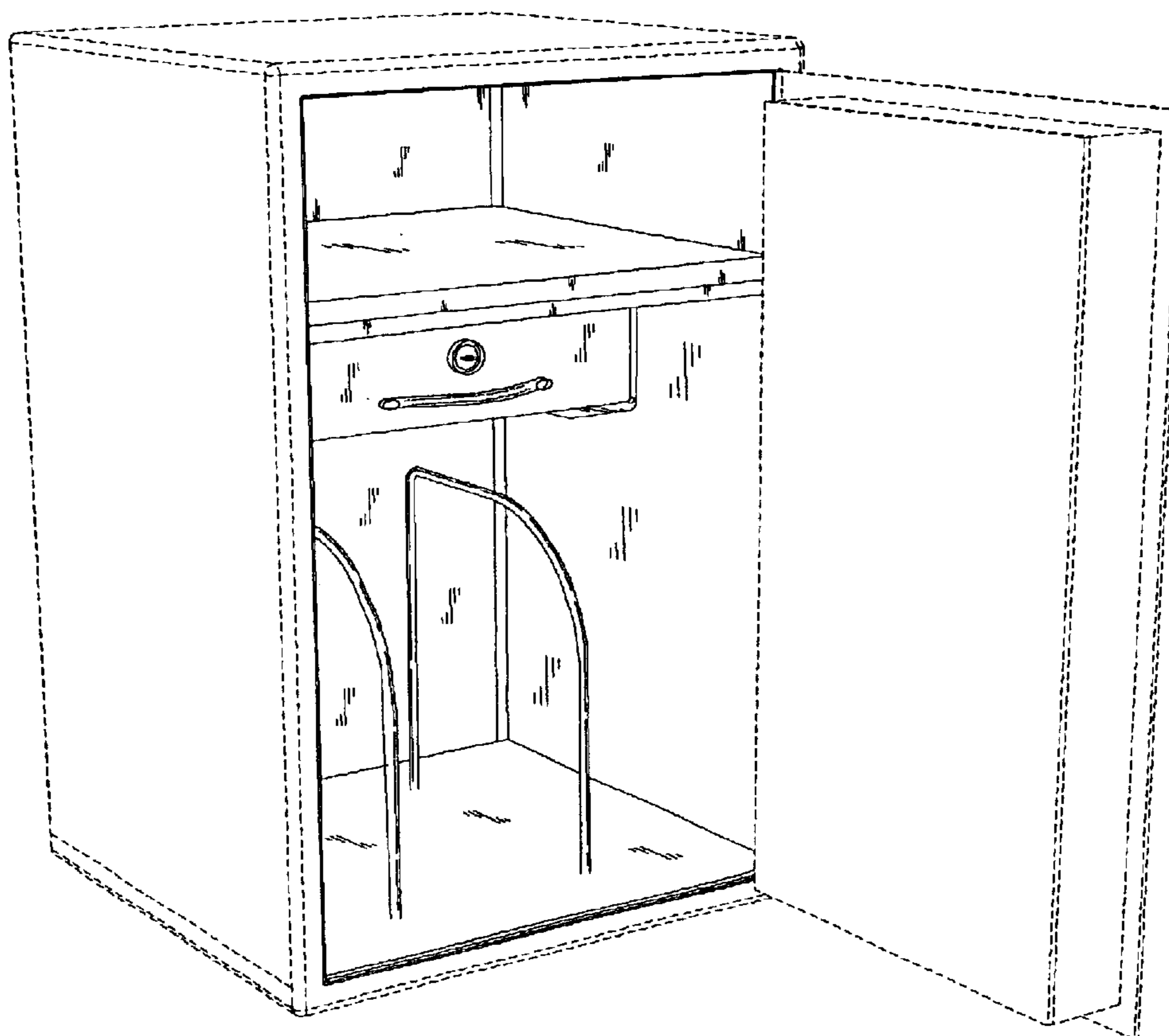
The ornamental design for a security safe interior, as shown and described.

DESCRIPTION

FIG. 1 is a perspective view of the design.

The broken line showing of a security safe exterior and door is for illustrative purposes only and forms no part of the claimed design.

1 Claim, 1 Drawing Sheet



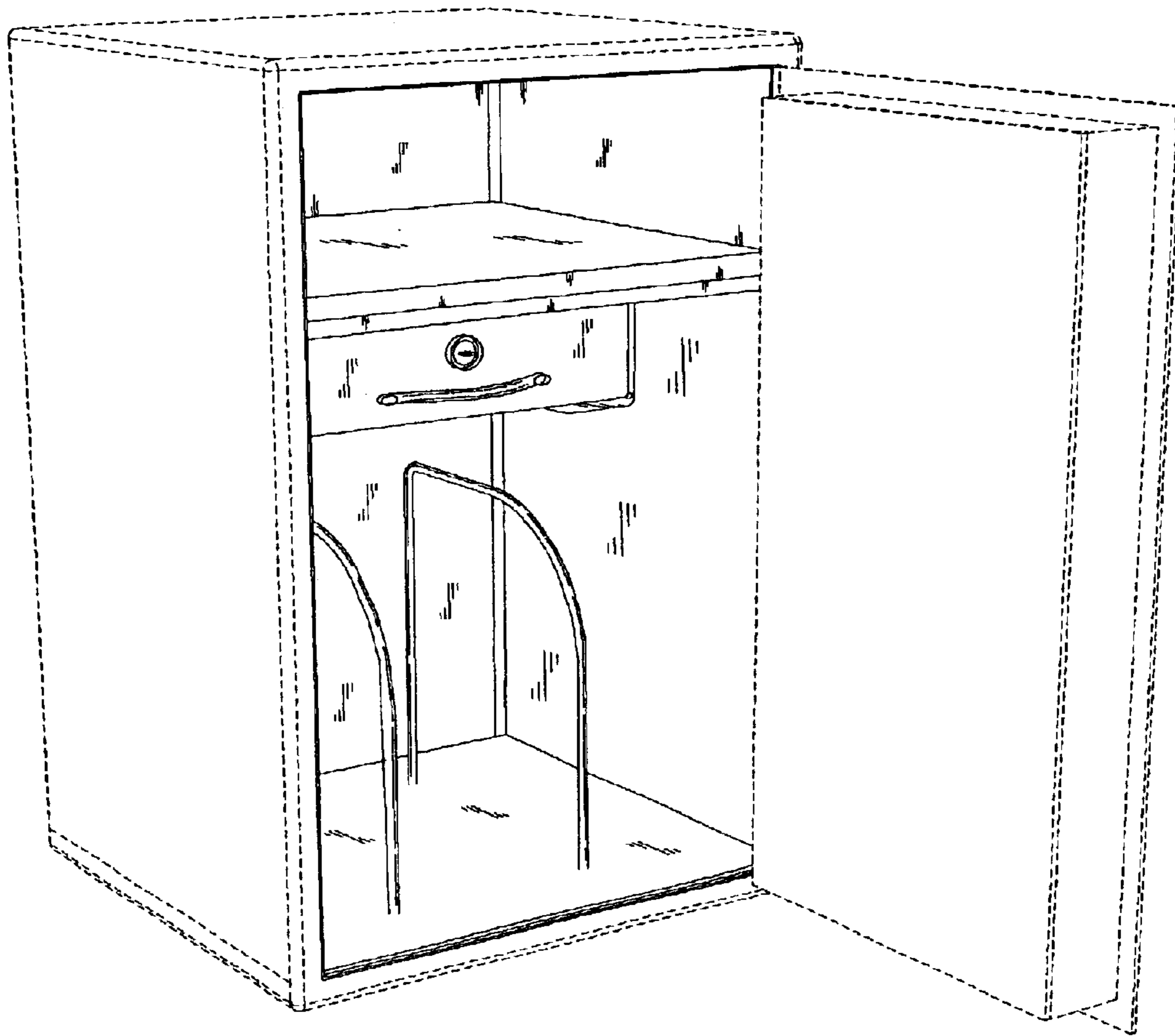


FIG. 1