

US00D499524S

(12) **United States Design Patent** (10) **Patent No.:** **US D499,524 S**
Taylor et al. (45) **Date of Patent:** **** Dec. 7, 2004**

(54) **PORTIONS OF ROADSIDE MAIL BOXES**
 (75) Inventors: **Curtis P. Taylor**, Moreland Hills, OH (US); **James Bernot**, Mentor, OH (US)
 (73) Assignee: **Florence Corporation**, Glendale Heights, IL (US)
 (**) Term: **14 Years**
 (21) Appl. No.: **29/185,752**
 (22) Filed: **Jul. 2, 2003**
 (51) **LOC (7) Cl.** **99-00**
 (52) **U.S. Cl.** **D99/32**
 (58) **Field of Search** D99/29, 30, 32, D99/33, 43; 232/17, 32, 35, 39, 38

2,911,174 A 11/1959 Goss
 3,081,025 A 3/1963 Griffiths
 3,407,997 A 10/1968 Wood et al.
 3,465,994 A 9/1969 Block
 3,580,491 A 5/1971 Campbell
 3,637,178 A 1/1972 Golden
 3,827,626 A 8/1974 Daigle
 3,874,583 A * 4/1975 Moll 232/17
 4,172,579 A 10/1979 Steinman
 4,395,012 A 7/1983 Rance
 4,484,705 A 11/1984 Sande
 4,508,259 A 4/1985 Hicks
 4,667,918 A 5/1987 Page
 4,893,747 A 1/1990 Roth
 4,955,534 A 9/1990 Raible
 D330,793 S * 11/1992 Hampton D99/32
 5,167,364 A 12/1992 Wenning
 5,400,958 A 3/1995 Walker
 5,458,286 A 10/1995 Paschal
 5,622,343 A 4/1997 Morton
 RE35,569 E * 7/1997 Willis et al. D99/33
 5,779,202 A 7/1998 Black et al.
 RE35,959 E * 11/1998 Willis et al. D99/33
 6,047,933 A 4/2000 Hoover
 D484,668 S 12/2003 Morgan et al.

(56) **References Cited**
U.S. PATENT DOCUMENTS

392,028 A 10/1888 Hagerty
 483,525 A 10/1892 Becket
 674,147 A 5/1901 Wirt
 686,694 A 11/1901 Adams
 702,220 A 6/1902 Jones
 715,240 A 12/1902 Birely
 727,445 A 5/1903 Reintges
 731,372 A 6/1903 Jones
 743,104 A 11/1903 Roesch
 776,630 A 12/1904 West
 792,133 A 6/1905 Hunt
 814,428 A 3/1906 Brown et al.
 816,366 A 3/1906 Pask
 868,590 A 10/1907 Wirt
 874,718 A 12/1907 Wirt
 877,006 A 1/1908 Scobee
 926,613 A 6/1909 Sheets et al.
 1,240,190 A 9/1917 Forth
 1,348,134 A 7/1920 Barnstead
 1,435,379 A 11/1922 Connery
 1,469,730 A 10/1923 Nichols
 1,616,432 A 2/1927 Aarseth
 1,839,834 A 1/1932 Coleman
 2,472,192 A 6/1949 Carter

* cited by examiner

Primary Examiner—Paula A Greene
 (74) *Attorney, Agent, or Firm*—David A. Burge

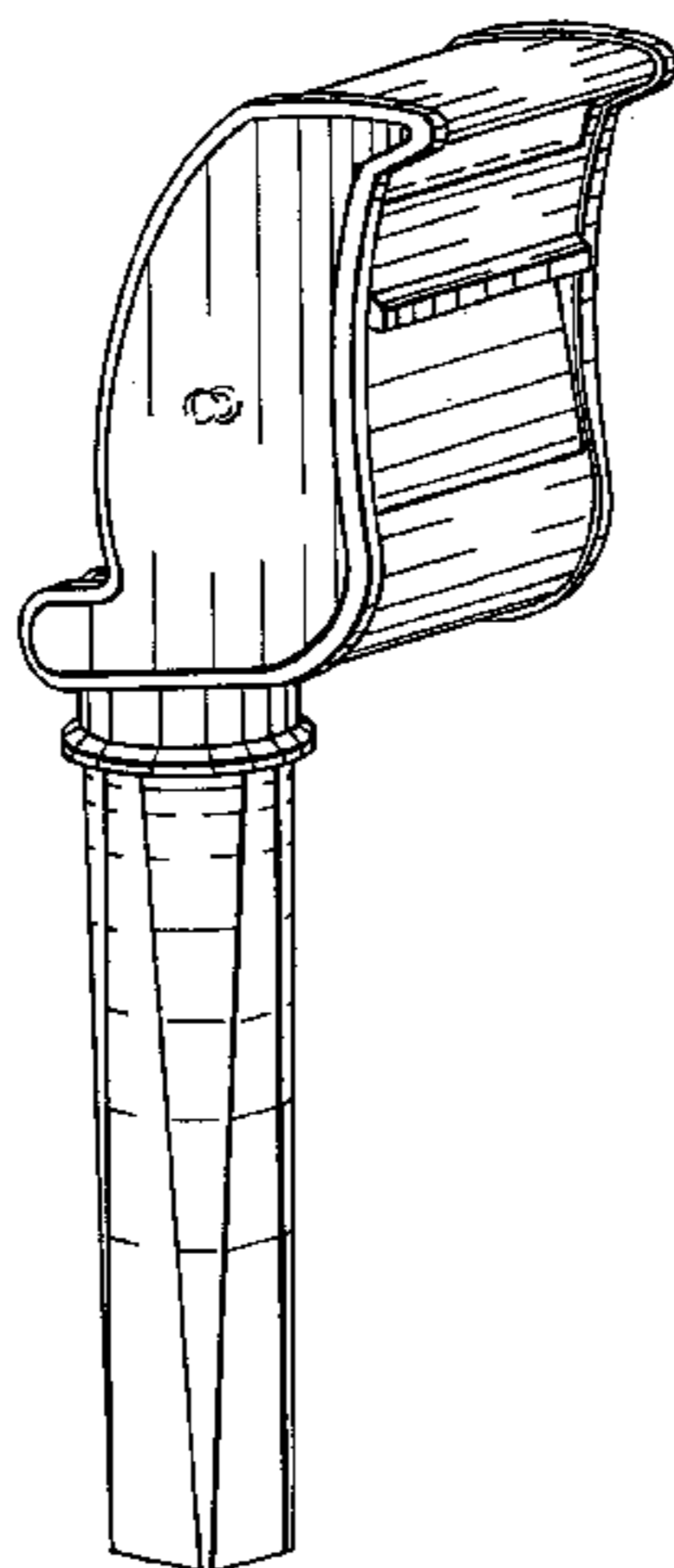
(57) **CLAIM**

We claim the ornamental design for portions of roadside mail boxes, as shown and described.

DESCRIPTION

FIG. 1 is a perspective view showing front, top and left side portions of a first embodiment of our new design;
 FIG. 2 is a front elevational view thereof;
 FIG. 3 is a right side view thereof;
 FIG. 4 is a rear elevational view thereof; and,
 FIG. 5 is a left side view thereof.
 The broken lines are for illustrative purposes only and forms no part of the claimed design.

1 Claim, 3 Drawing Sheets



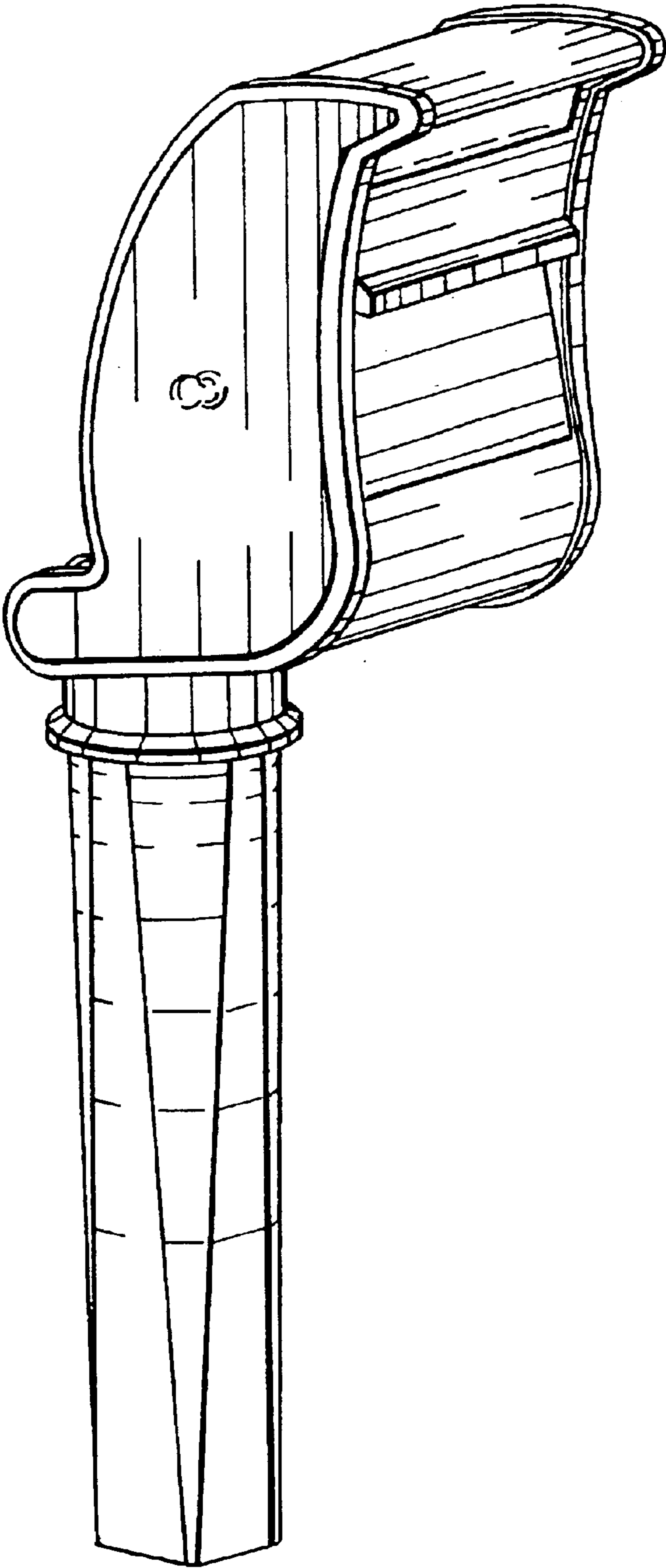


FIG. 1

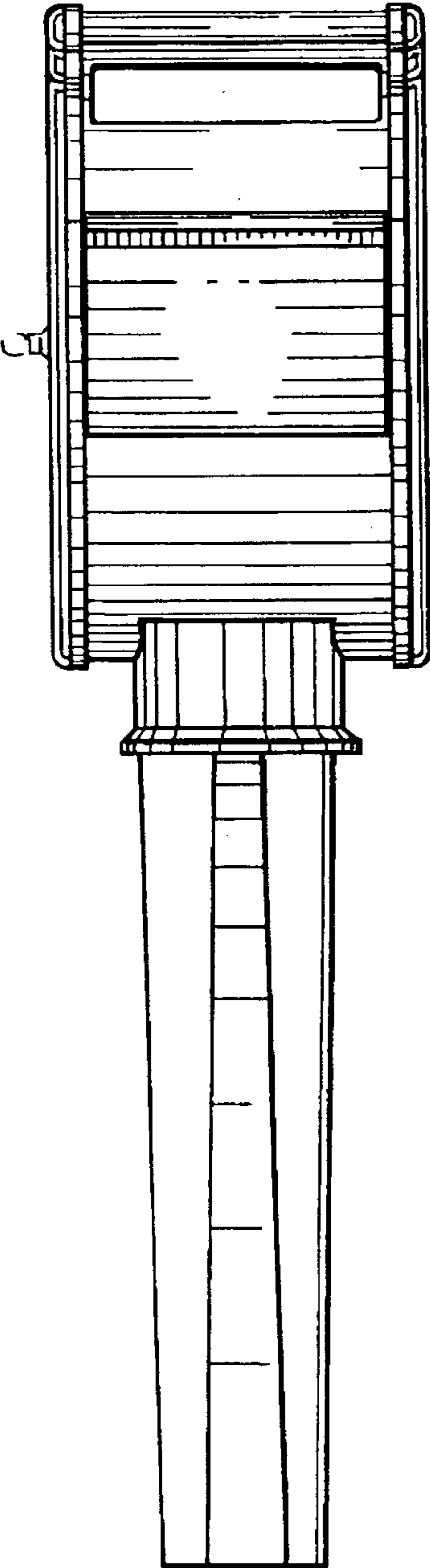


FIG. 2

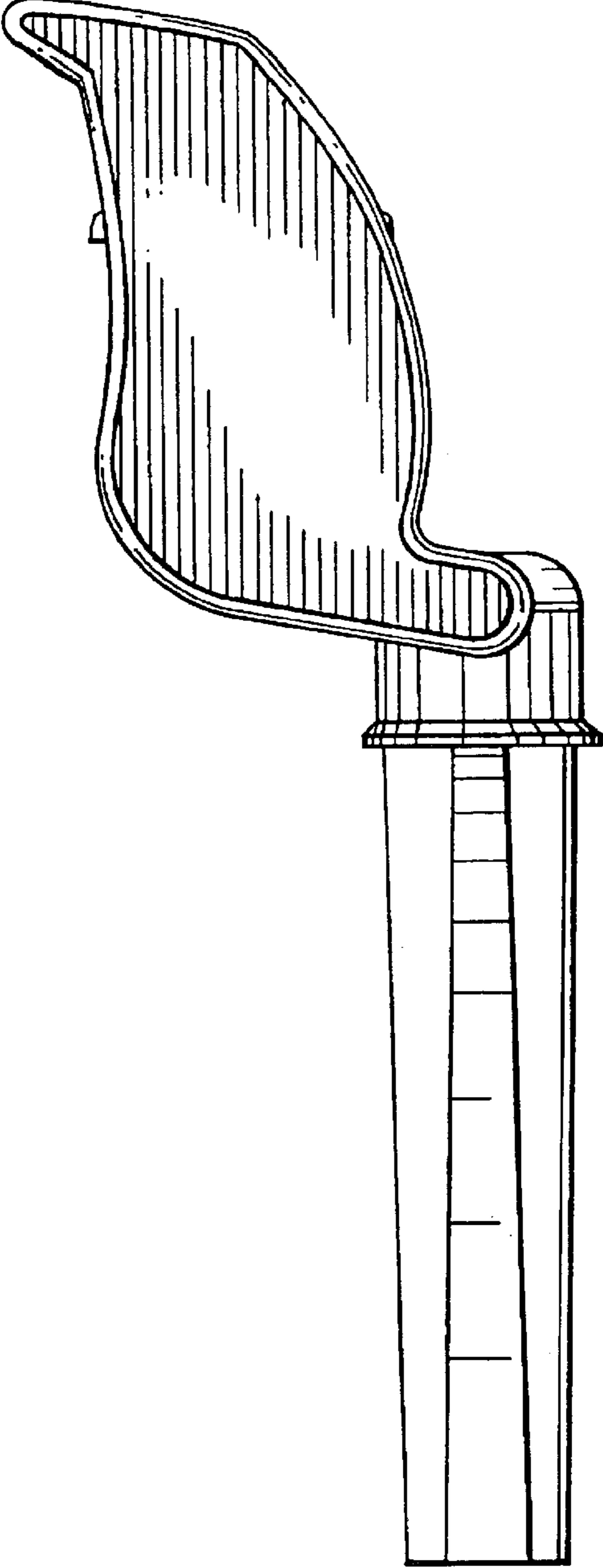


FIG. 3

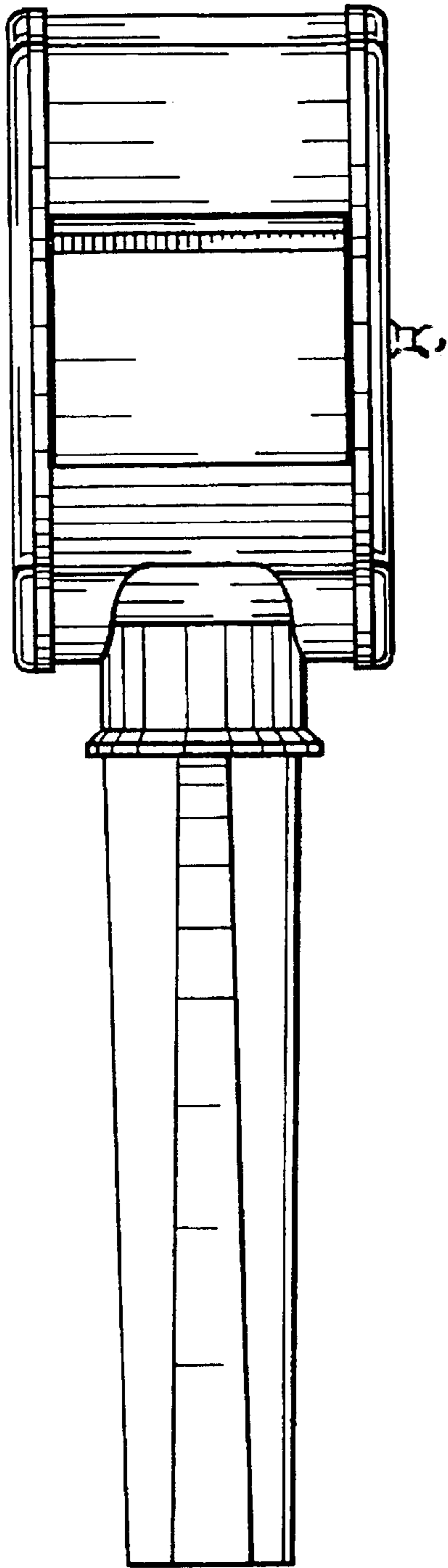


FIG. 4

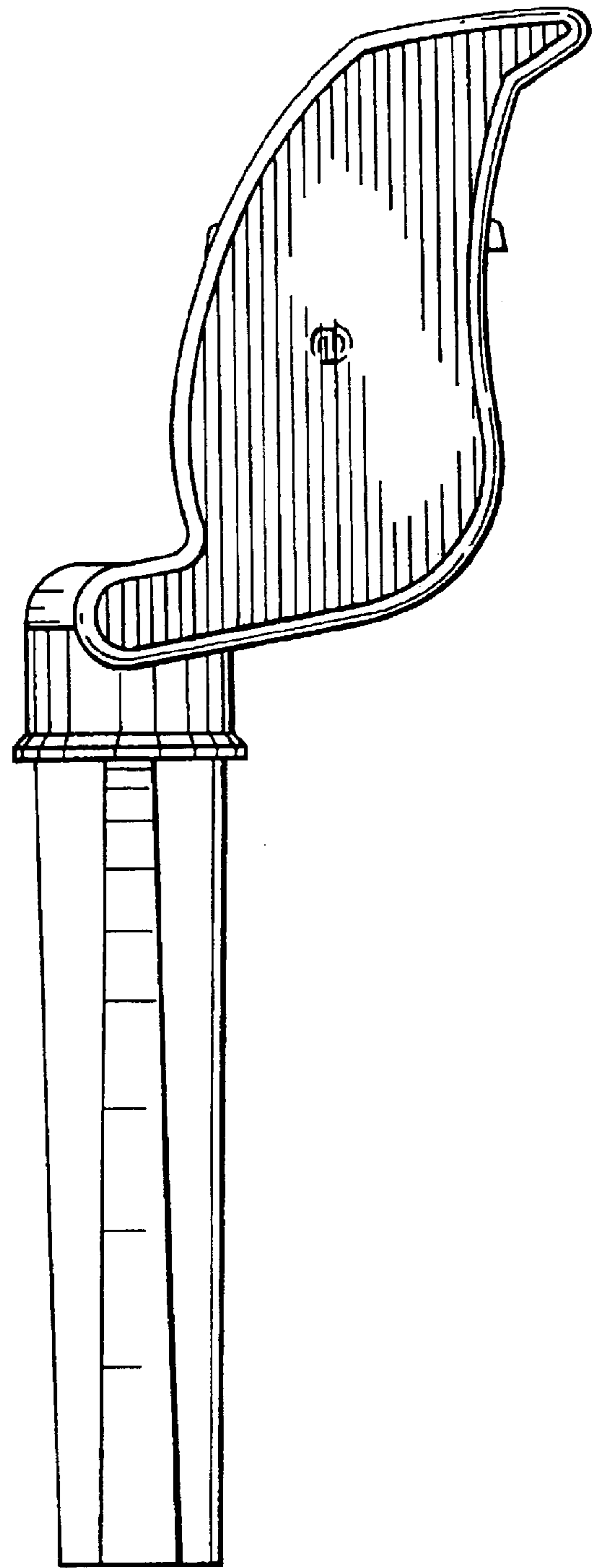


FIG. 5