

US00D499521S

(12) **United States Design Patent**
Swetish et al.

(10) **Patent No.:** **US D499,521 S**
(45) **Date of Patent:** **** Dec. 7, 2004**

(54) **TOP COVER FOR A MATERIAL HANDLING VEHICLE**

D429,277 S * 8/2000 Bishop et al. D18/50
* cited by examiner

(75) Inventors: **Gary B. Swetish**, Racine, WI (US);
Jodi L. Goodale, Muscatine, IA (US);
Gregory W. Smiley, Greene, NY (US)

Primary Examiner—Holly Baynham
(74) *Attorney, Agent, or Firm*—Quarles & Brady LLP

(73) Assignee: **The Raymond Corporation**, Greene, NY (US)

(57) **CLAIM**

The ornamental design for a top cover for a material handling vehicle, as shown and described.

(**) Term: **14 Years**

DESCRIPTION

(21) Appl. No.: **29/189,208**

In a preferred embodiment, the nature of this product is as cover and organizer useful in connection with a handle-steered material handling vehicle.

(22) Filed: **Aug. 29, 2003**

FIG. 1 is a top, left, front perspective view of a top cover for a material handling vehicle embodying our new design;

(51) **LOC (7) Cl.** **12-05**

(52) **U.S. Cl.** **D34/35**

(58) **Field of Search** D34/28, 34-35;
180/299, 89.12, 315; 187/222, 224; 414/685,
679, 294

FIG. 2 is a top plan view thereof;

FIG. 3 is a front elevational view thereof;

FIG. 4 is a right side elevational view thereof; and,

FIG. 5 is a left side elevational view thereof.

The broken line representations of portions of a material handling vehicle in FIGS. 1-5 and of a groove in FIGS. 1 and 3, are for the purpose of illustration only, and form no part of the claimed design.

(56) **References Cited**

U.S. PATENT DOCUMENTS

6,082,215 A * 7/2000 Jerwick 74/473.25

1 Claim, 2 Drawing Sheets

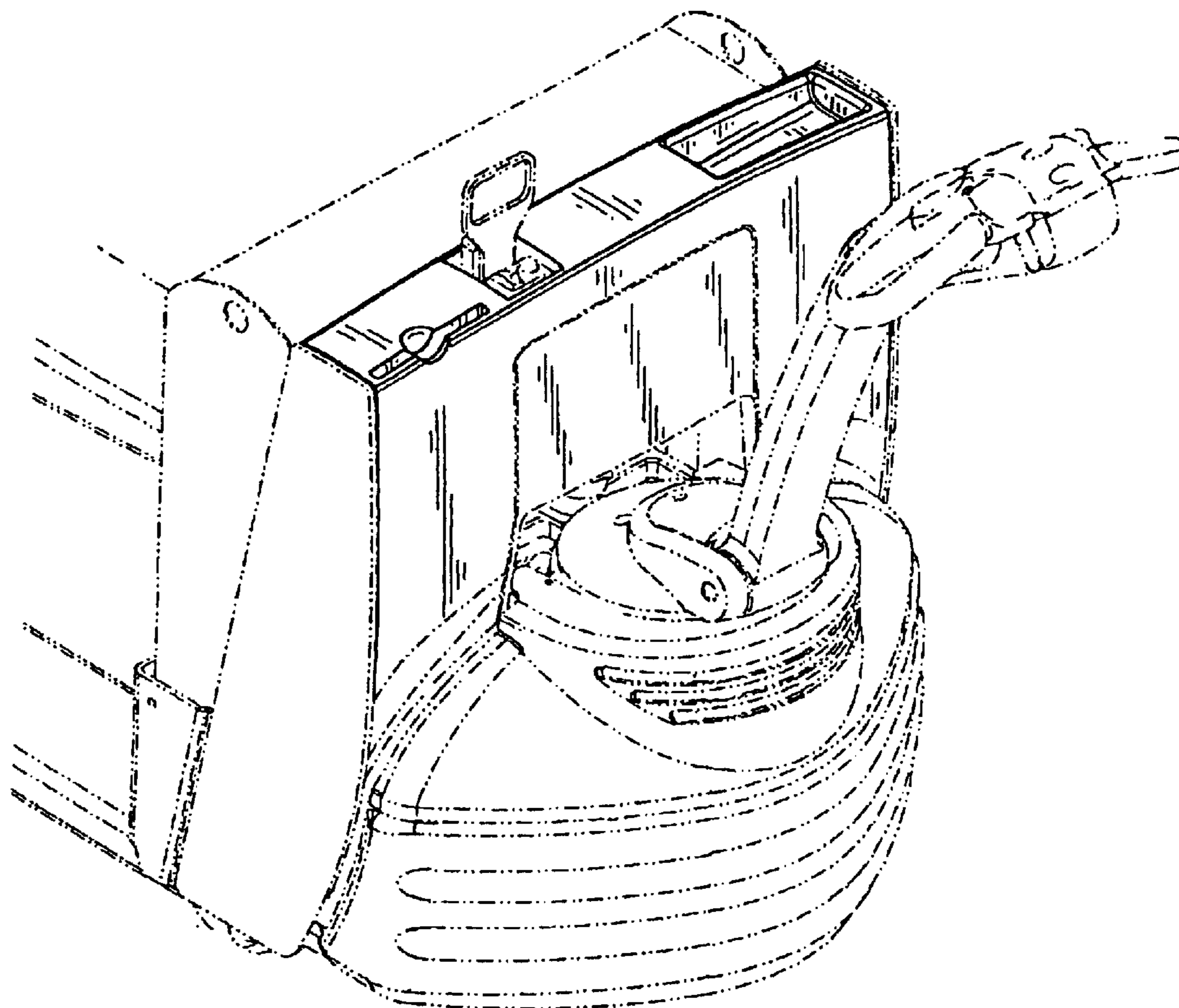


FIG. 1

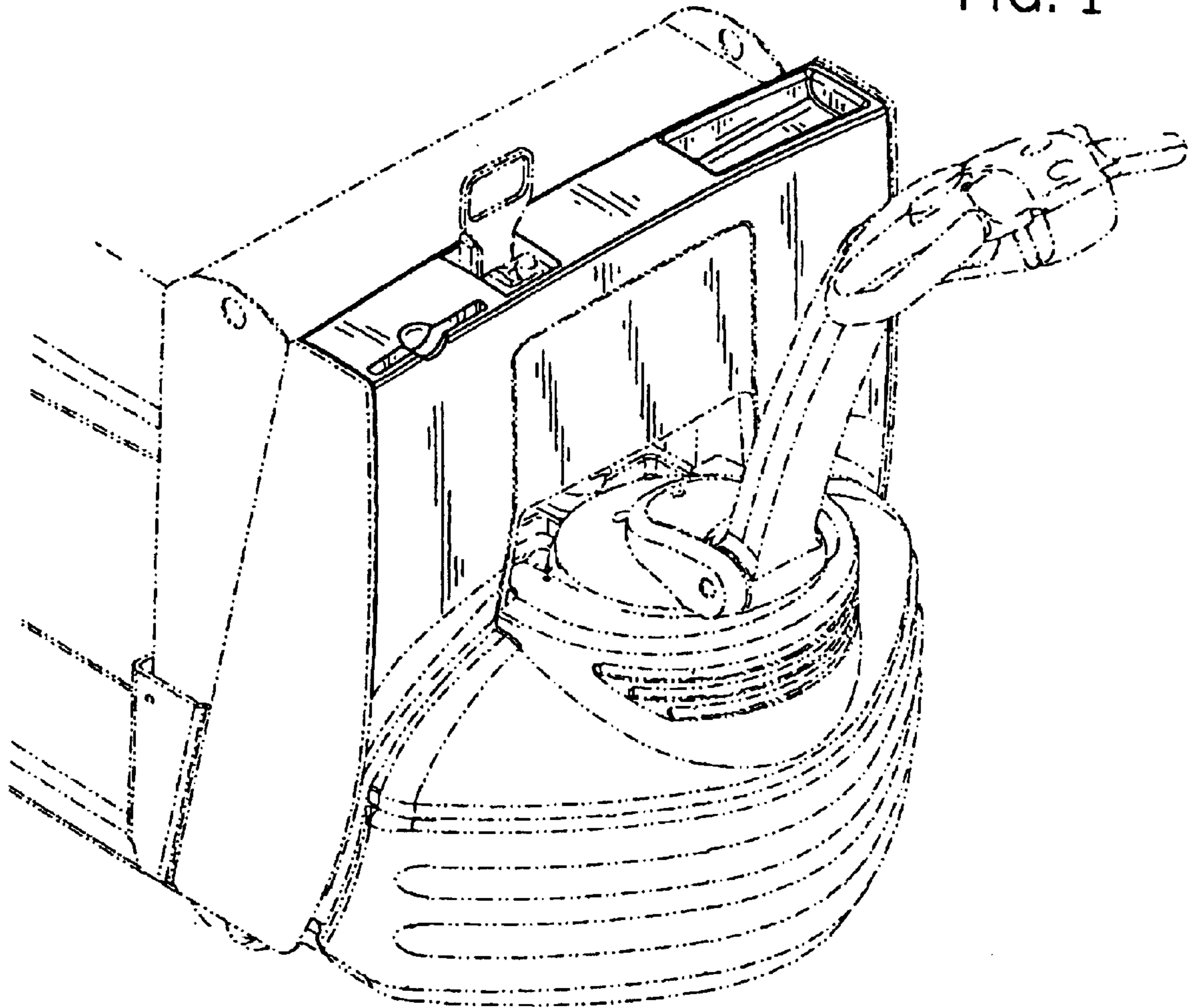


FIG. 2

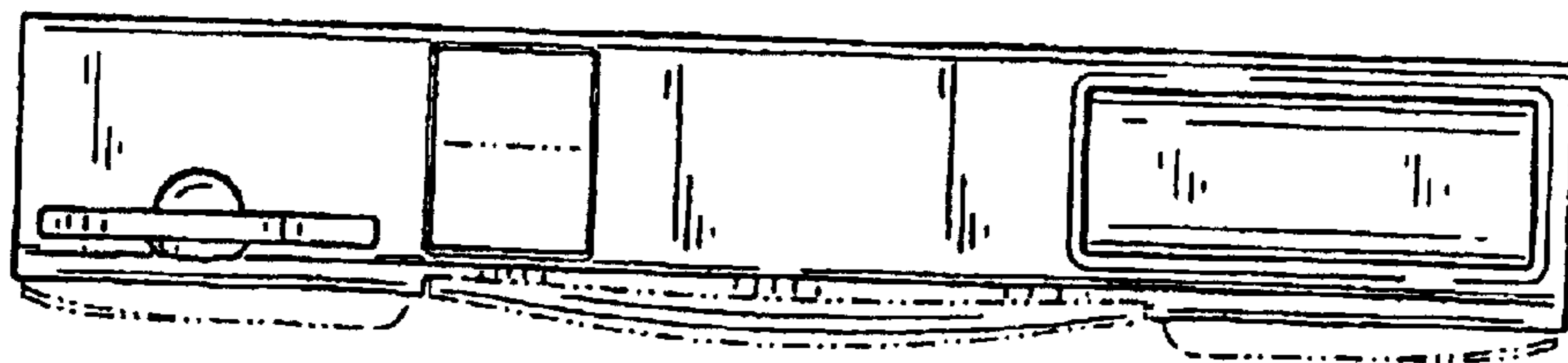


FIG. 3

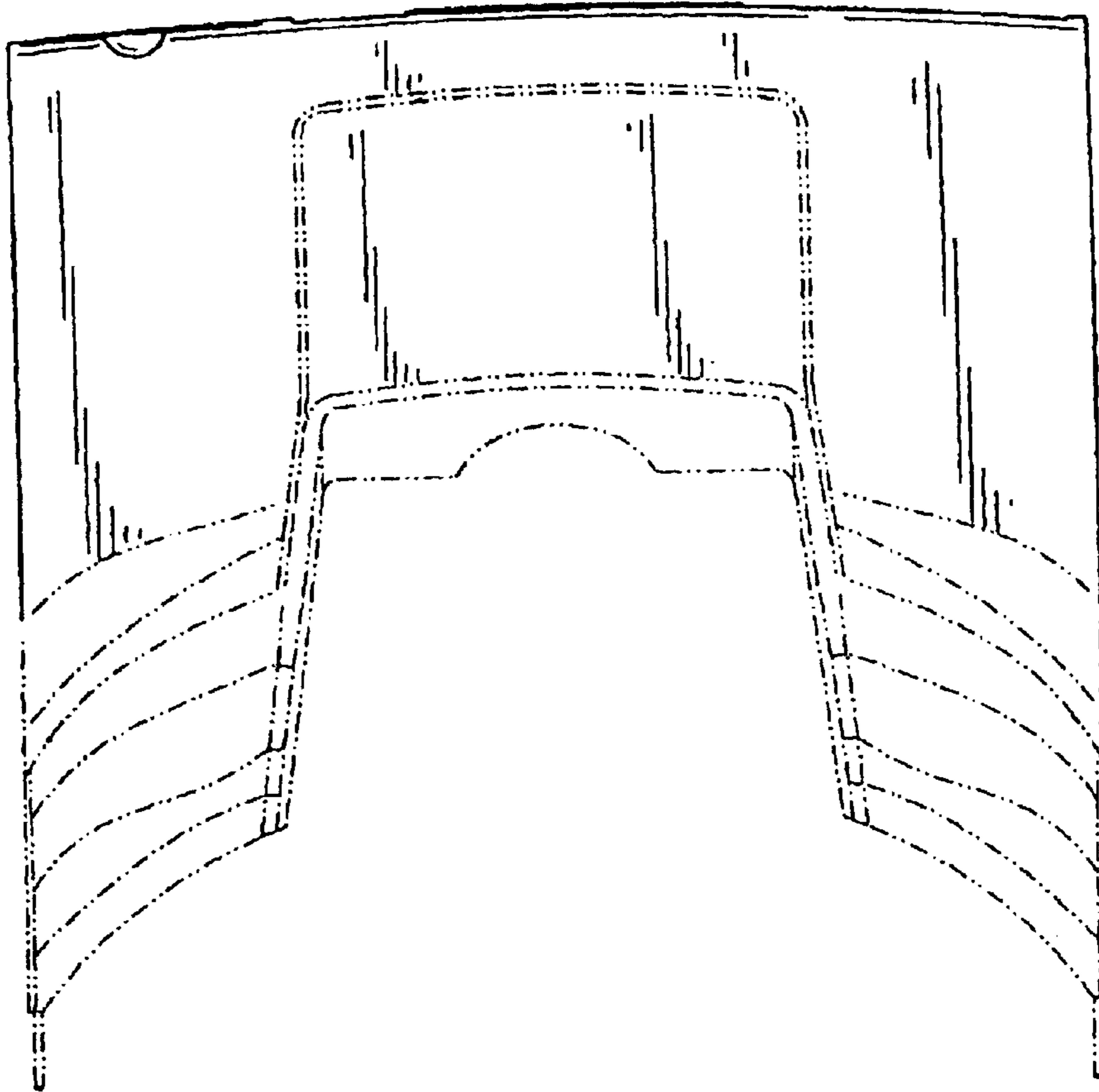


FIG. 5



FIG. 4

