

US00D499519S

(12) **United States Design Patent** (10) **Patent No.:** **US D499,519 S**  
**Swetish et al.** (45) **Date of Patent:** **\*\* Dec. 7, 2004**

(54) **BUMPER FOR A MATERIAL HANDLING VEHICLE**

(75) Inventors: **Gary B. Swetish**, Racine, WI (US);  
**Douglas D. Fett**, Davenport, IA (US)

(73) Assignee: **The Raymond Corporation**, Greene, NY (US)

(\*\*) Term: **14 Years**

(21) Appl. No.: **29/189,209**

(22) Filed: **Aug. 29, 2003**

(51) **LOC (7) Cl.** ..... **12-05**

(52) **U.S. Cl.** ..... **D34/34**

(58) **Field of Search** ..... D34/28, 34-35;  
180/299, 89.12, 315; 280/43.12; 187/224,  
222; 414/685, 679, 294

(56) **References Cited**

**U.S. PATENT DOCUMENTS**

- D231,340 S \* 4/1974 Haynes ..... D34/34
- D365,573 S \* 12/1995 Westimayer et al. .... D15/17
- D396,928 S \* 8/1998 Hahn et al. .... D34/34

\* cited by examiner

*Primary Examiner*—Holly Baynham  
(74) *Attorney, Agent, or Firm*—Quarles & Brady LLP

(57) **CLAIM**

The ornamental design for a bumper for a material handling vehicle, as shown and described.

**DESCRIPTION**

In a preferred embodiment, the nature of this product is as a cover member useful in connection with providing protection for a handle-steered material handling vehicle.

FIG. 1 is a top, left, front perspective view of a bumper for a material handling vehicle embodying our new design;

FIG. 2 is a front elevational view thereof;

FIG. 3 is a left side elevational view thereof, the right side elevational view being a mirror image of the left side shown;

FIG. 4 is a top plan view thereof; and,

FIG. 5 is a bottom plan view thereof.

The broken lines immediately adjacent the shaded areas represent the bounds of the claim and all other broken lines are for illustrative purposes only. None of the broken lines form a part of the claimed design.

**1 Claim, 3 Drawing Sheets**

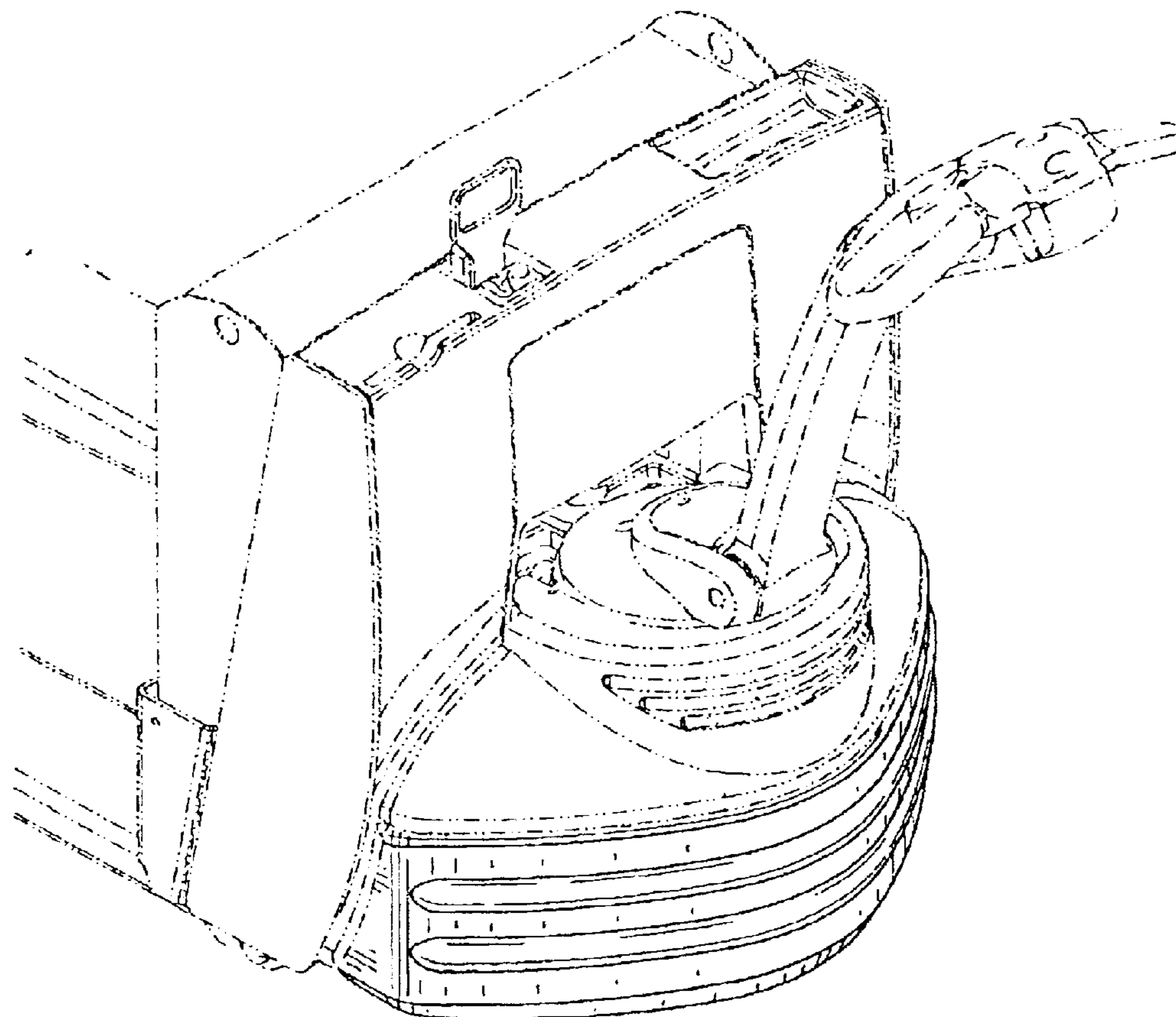
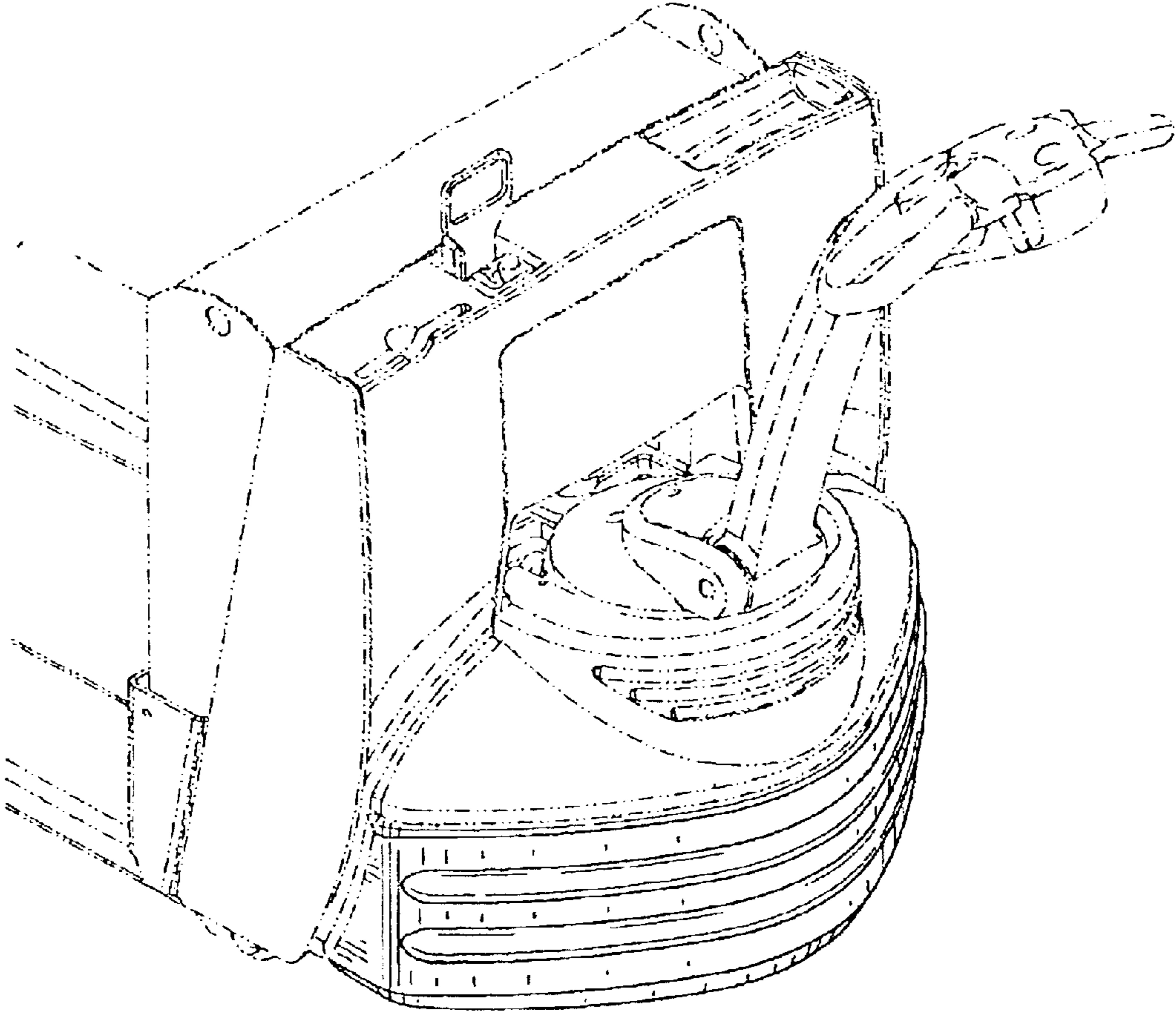


FIG. 1



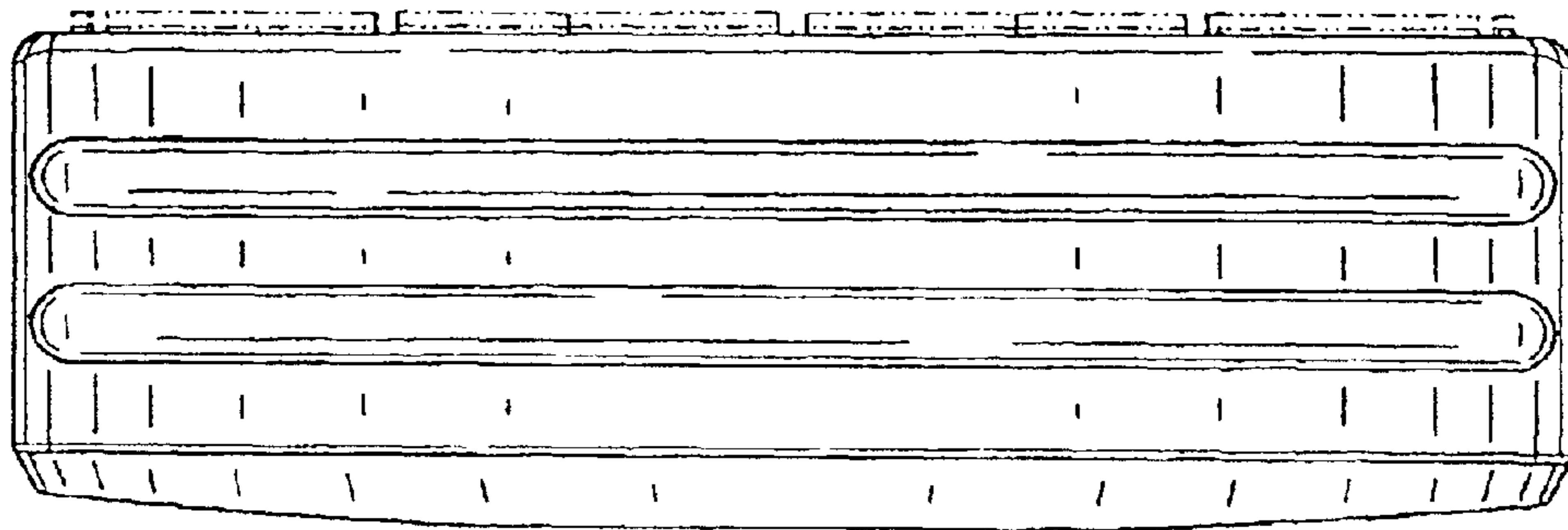


FIG. 2

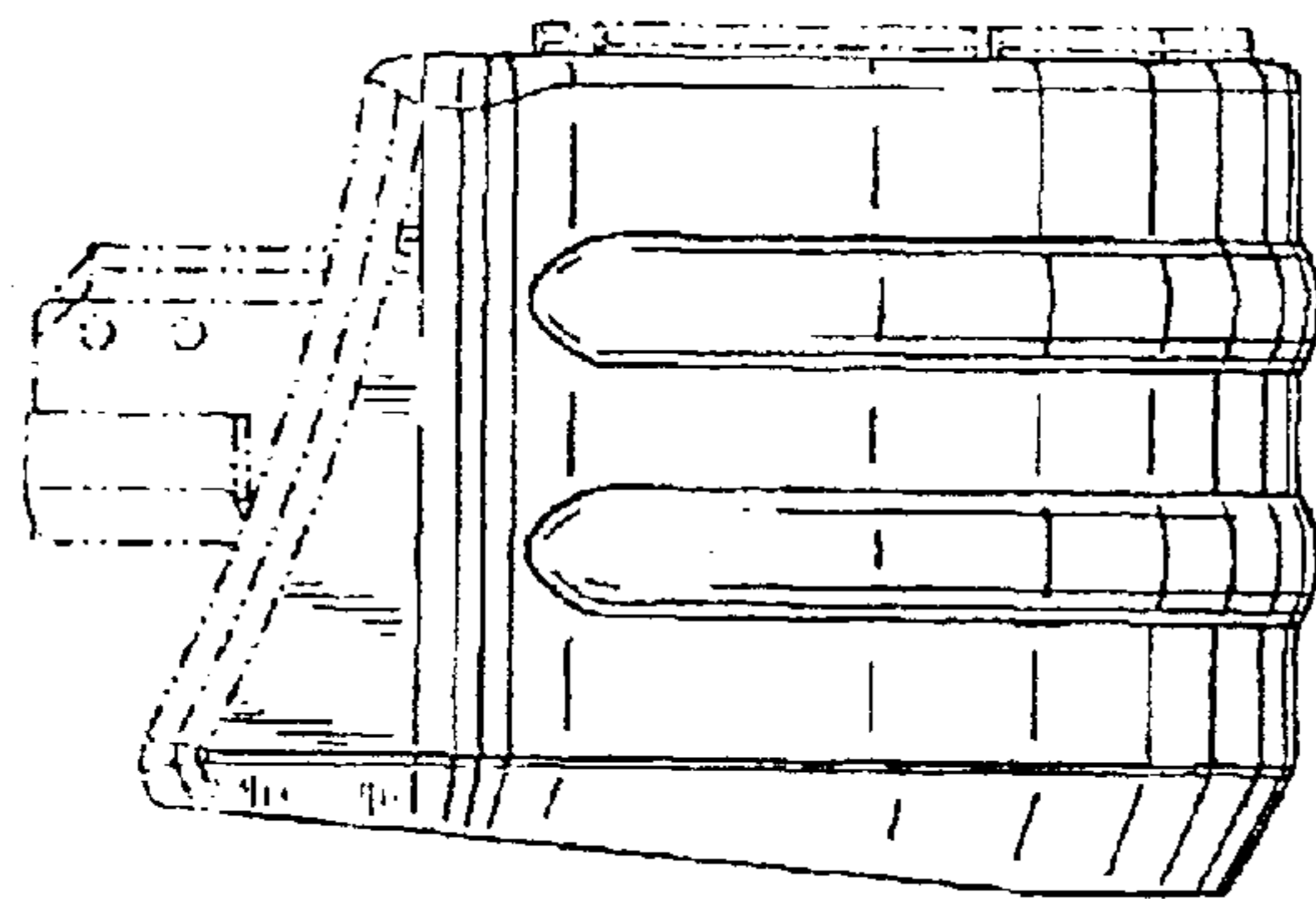


FIG. 3

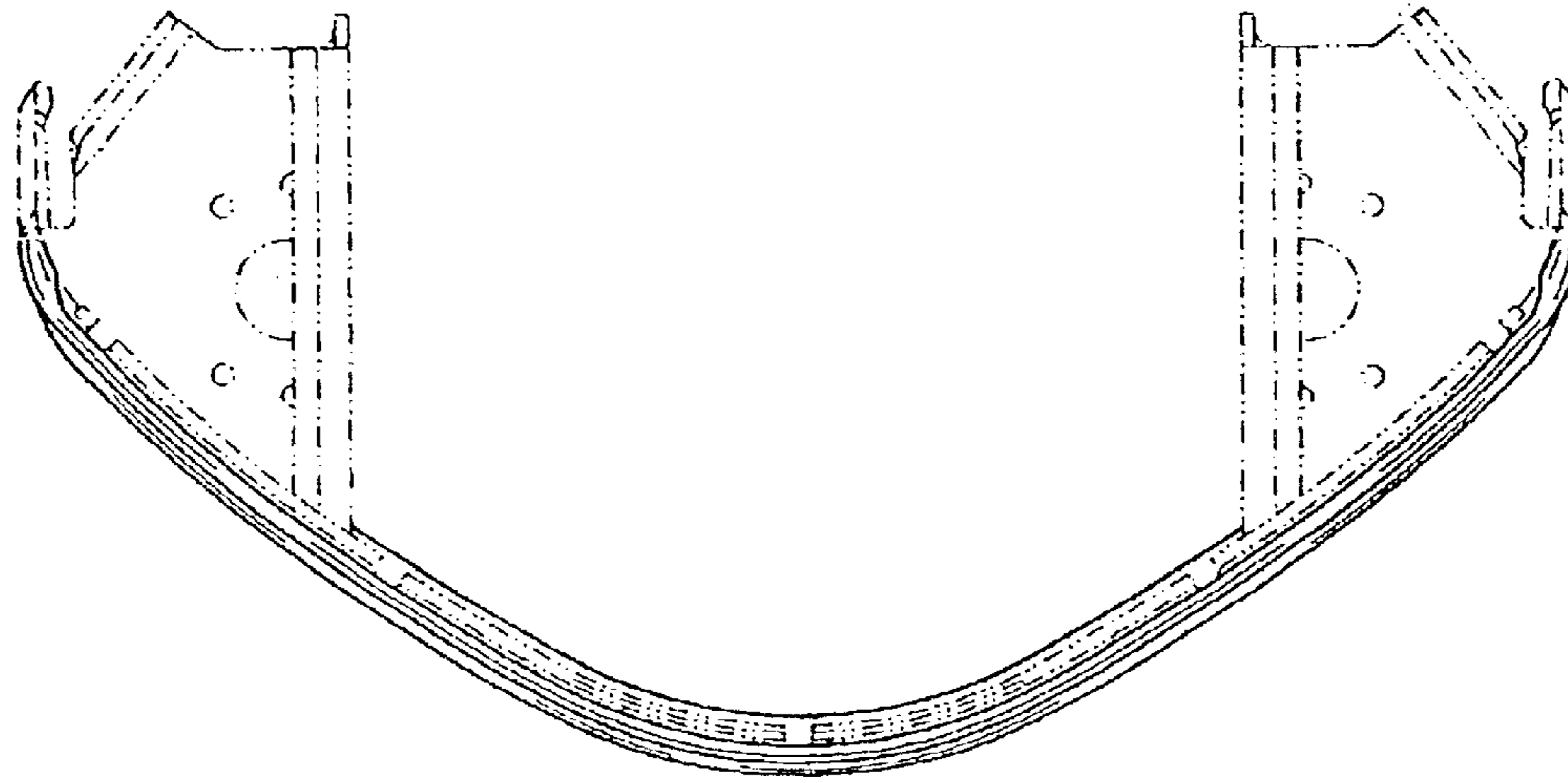


FIG. 4

FIG. 5

