

US00D499517S

(12) **United States Design Patent**
Chen

(10) **Patent No.:** **US D499,517 S**

(45) **Date of Patent:** **** Dec. 7, 2004**

(54) **STEAM CLEANER**

(76) **Inventor:** **Chung-ming Chen**, 2Fl., No. 13, Lane
218, Chuan-hsien St., Taipei (TW), 112

(**) **Term:** **14 Years**

(21) **Appl. No.:** **29/180,412**

(22) **Filed:** **Apr. 24, 2003**

(51) **LOC (7) Cl.** **15-05**

(52) **U.S. Cl.** **D32/17; D32/21**

(58) **Field of Search** **D32/17, 21, 23-24,**
D32/31; 15/320-321, 329, 327.1-327.4,
327.6-327.7, 344-345, 353; 68/222; 392/397,
480, 384, 404; 55/DIG. 3; 239/135, 136

(56) **References Cited**

U.S. PATENT DOCUMENTS

D443,119 S	*	5/2001	Sung	D32/21
D445,973 S	*	7/2001	Chen	D32/21
D452,594 S	*	12/2001	Rosa	D32/21
D463,889 S	*	10/2002	Buzzi	D32/17
D468,496 S	*	1/2003	Smith	D32/17
D471,682 S	*	3/2003	Chen	D32/21
D473,025 S	*	4/2003	Simmons	D32/17

D489,499 S	*	5/2004	Buzzi	D32/17
2002/0178532 A1	*	12/2002	Amoretti	15/327.2
2003/0033687 A1	*	2/2003	Tsen	15/322
2003/0106180 A1	*	6/2003	Tsen	15/321
2003/0142965 A1	*	7/2003	Tsen	392/397
2003/0208872 A1	*	11/2003	Tsen	15/321

* cited by examiner

Primary Examiner—Ruth McInroy

(74) *Attorney, Agent, or Firm*—Bacon & Thomas PLLC

(57) **CLAIM**

The ornamental design for a steam cleaner, as shown and described.

DESCRIPTION

FIG. 1 is a front elevational view of a steam cleaner showing my new design;

FIG. 2 is a rear elevational view thereof;

FIG. 3 is a left side elevational view thereof;

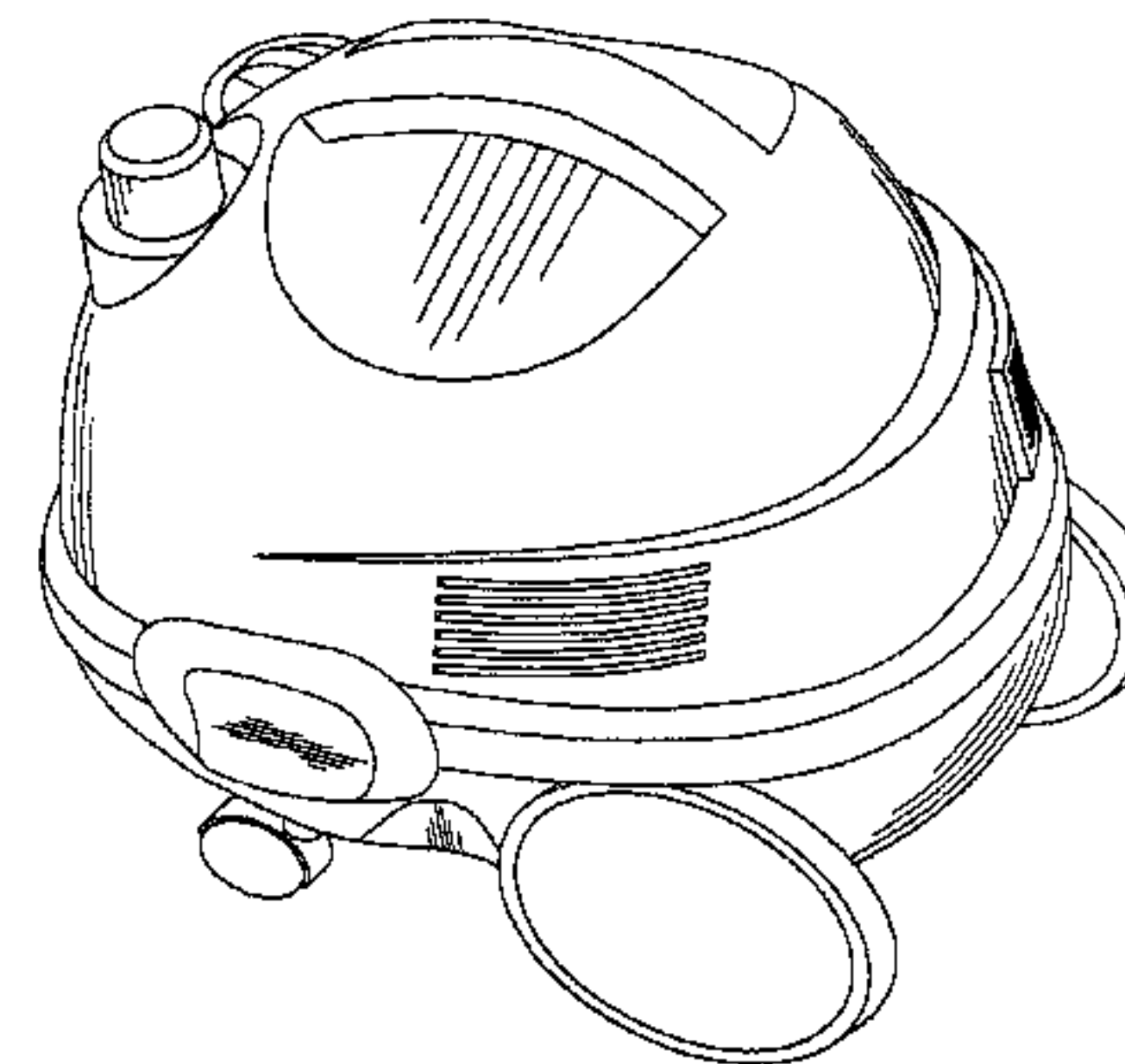
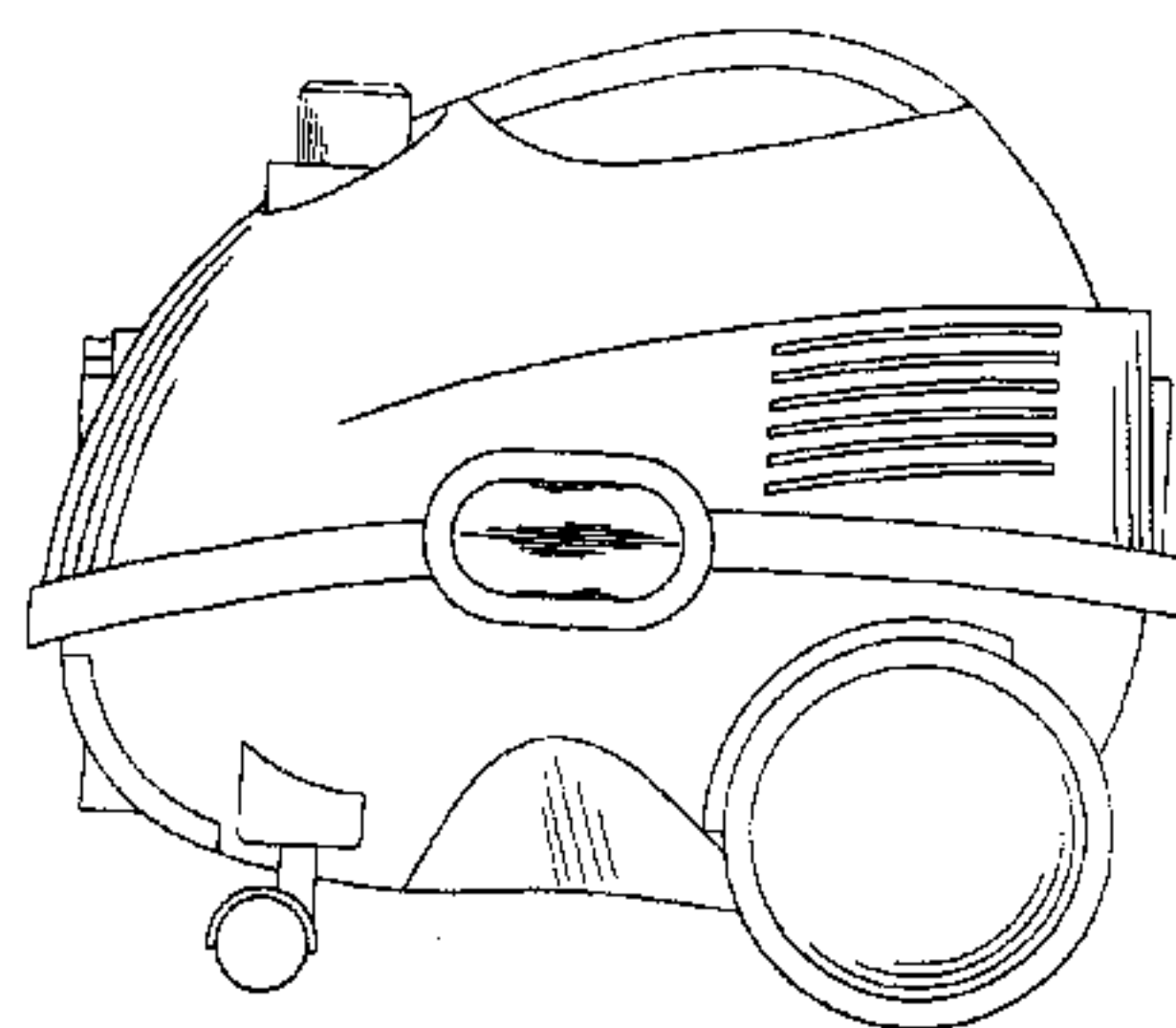
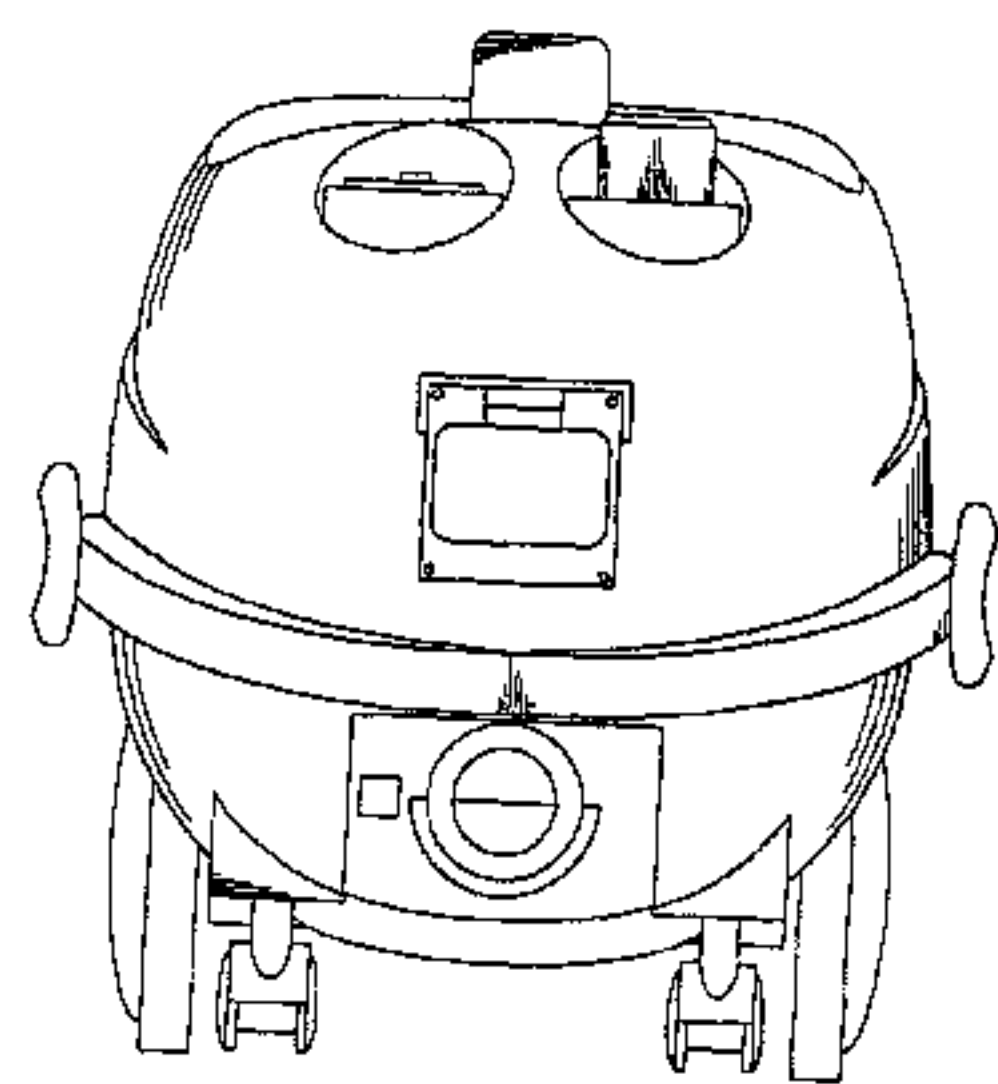
FIG. 4 is a right side elevational view thereof;

FIG. 5 is a top plan view thereof;

FIG. 6 is a bottom plan view thereof; and,

FIG. 7 is a perspective view thereof.

1 Claim, 4 Drawing Sheets



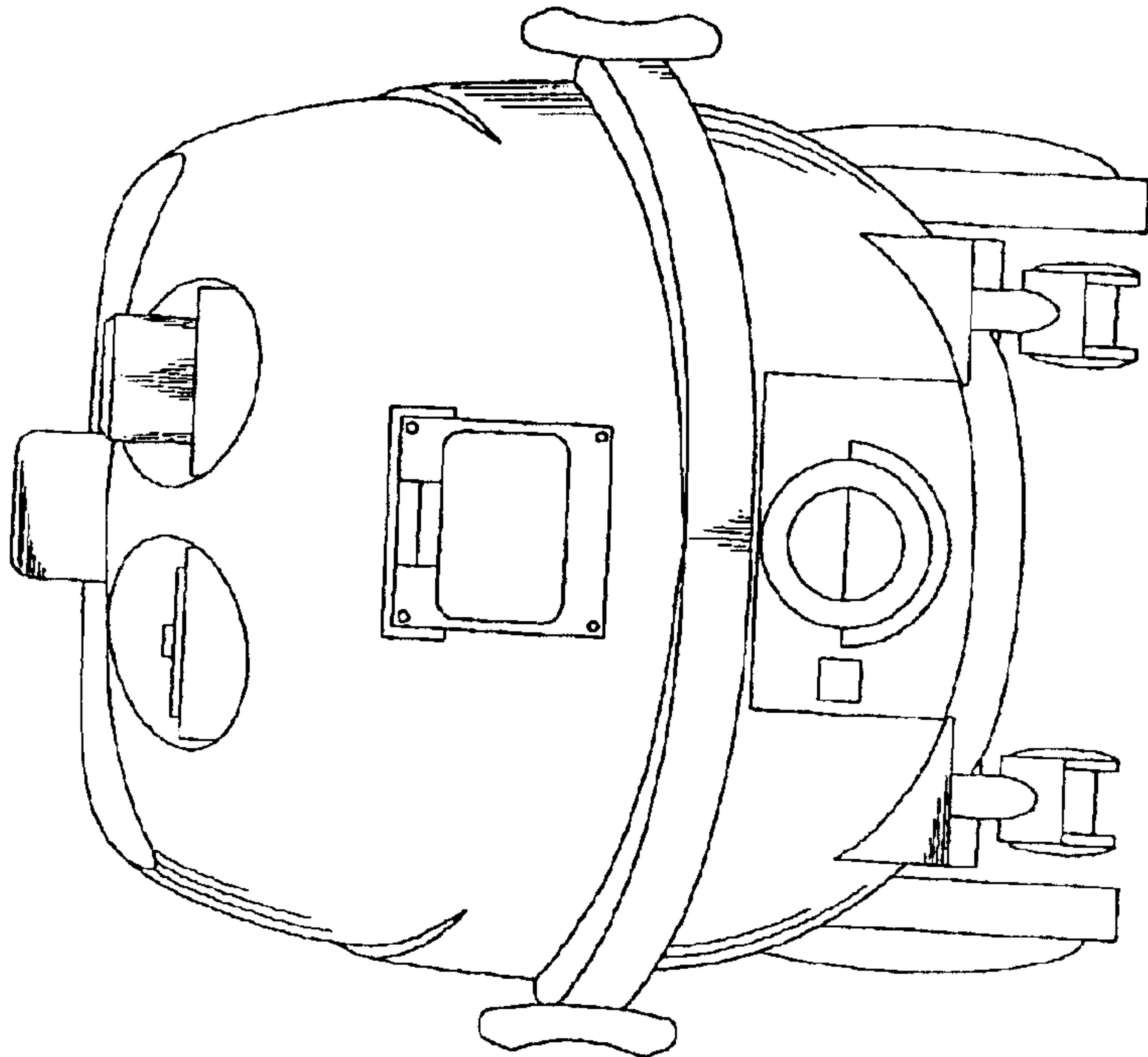


FIG.1

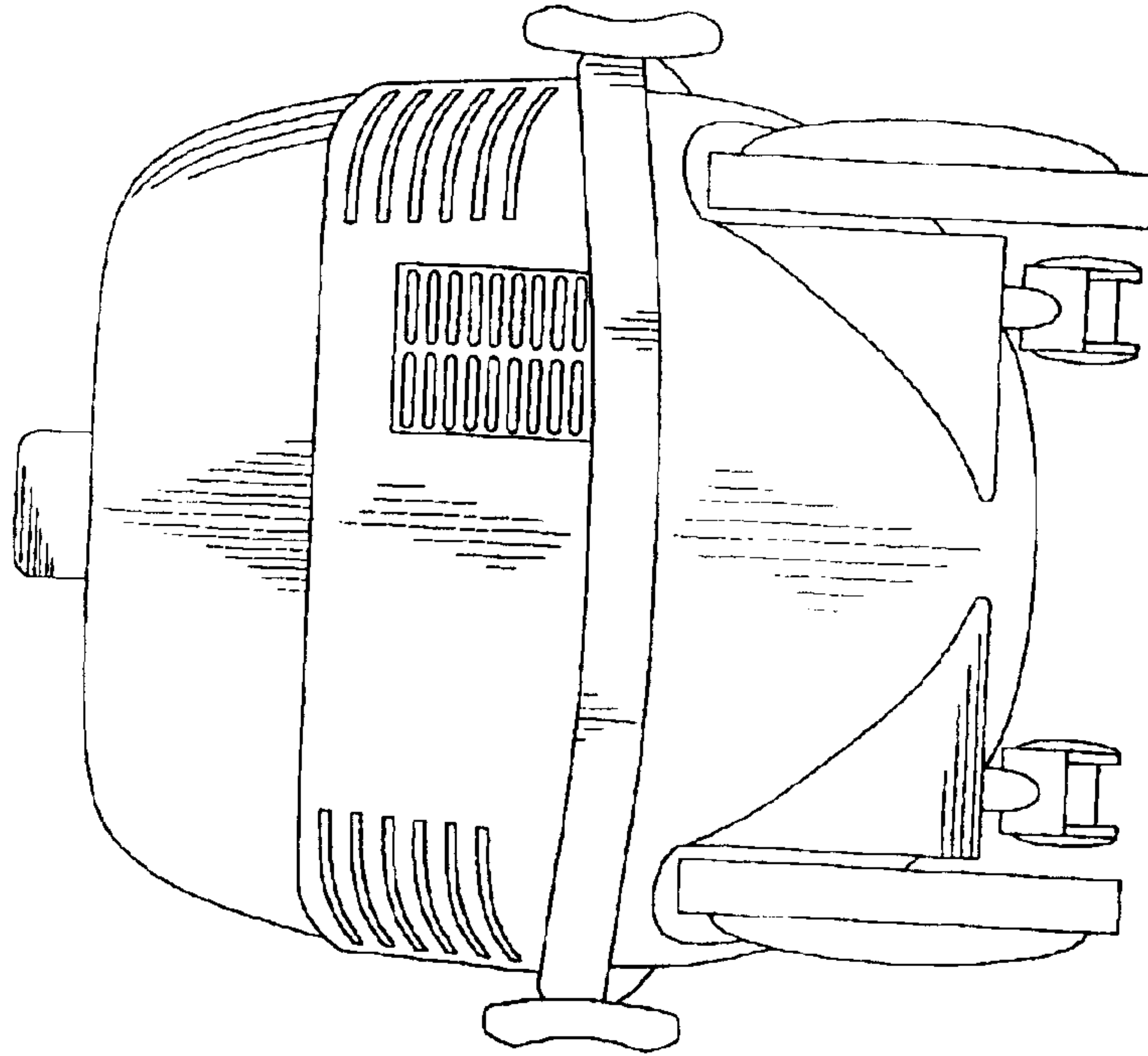


FIG.2

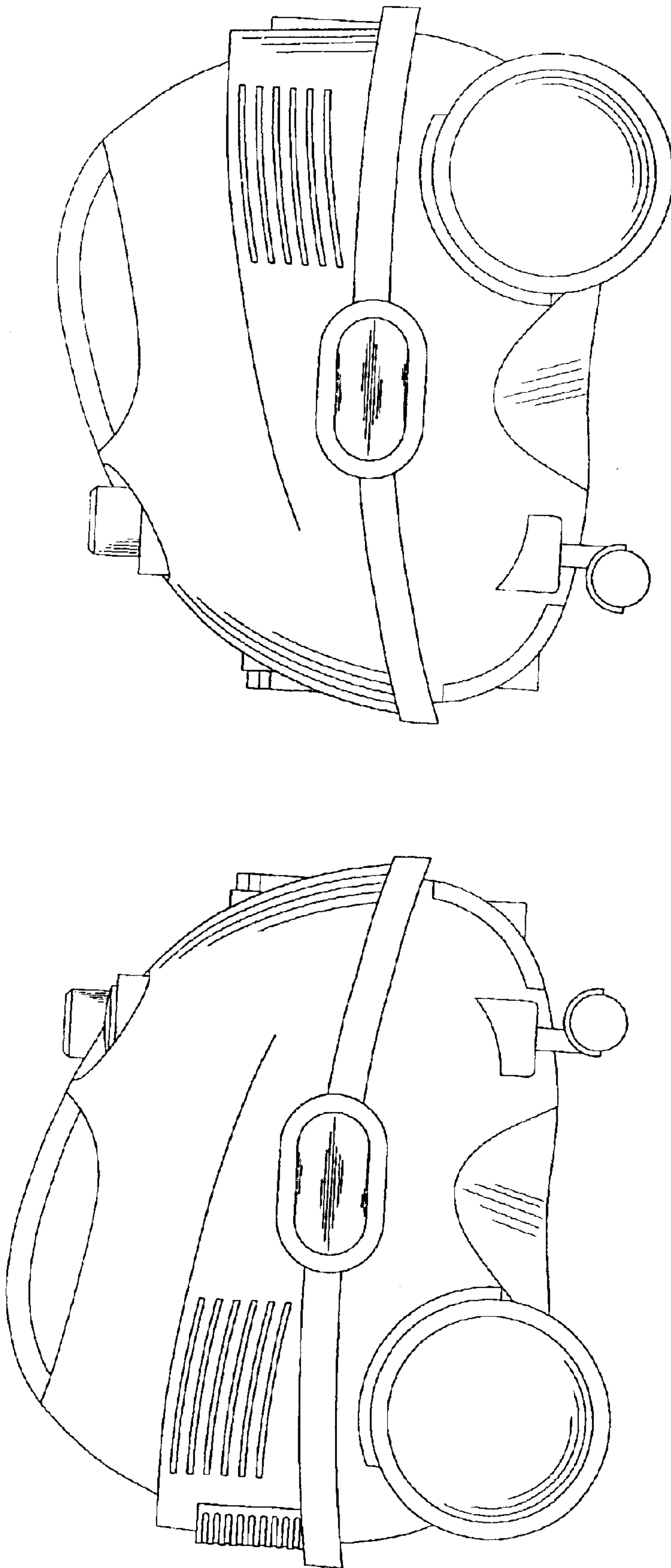


FIG.4

FIG.3

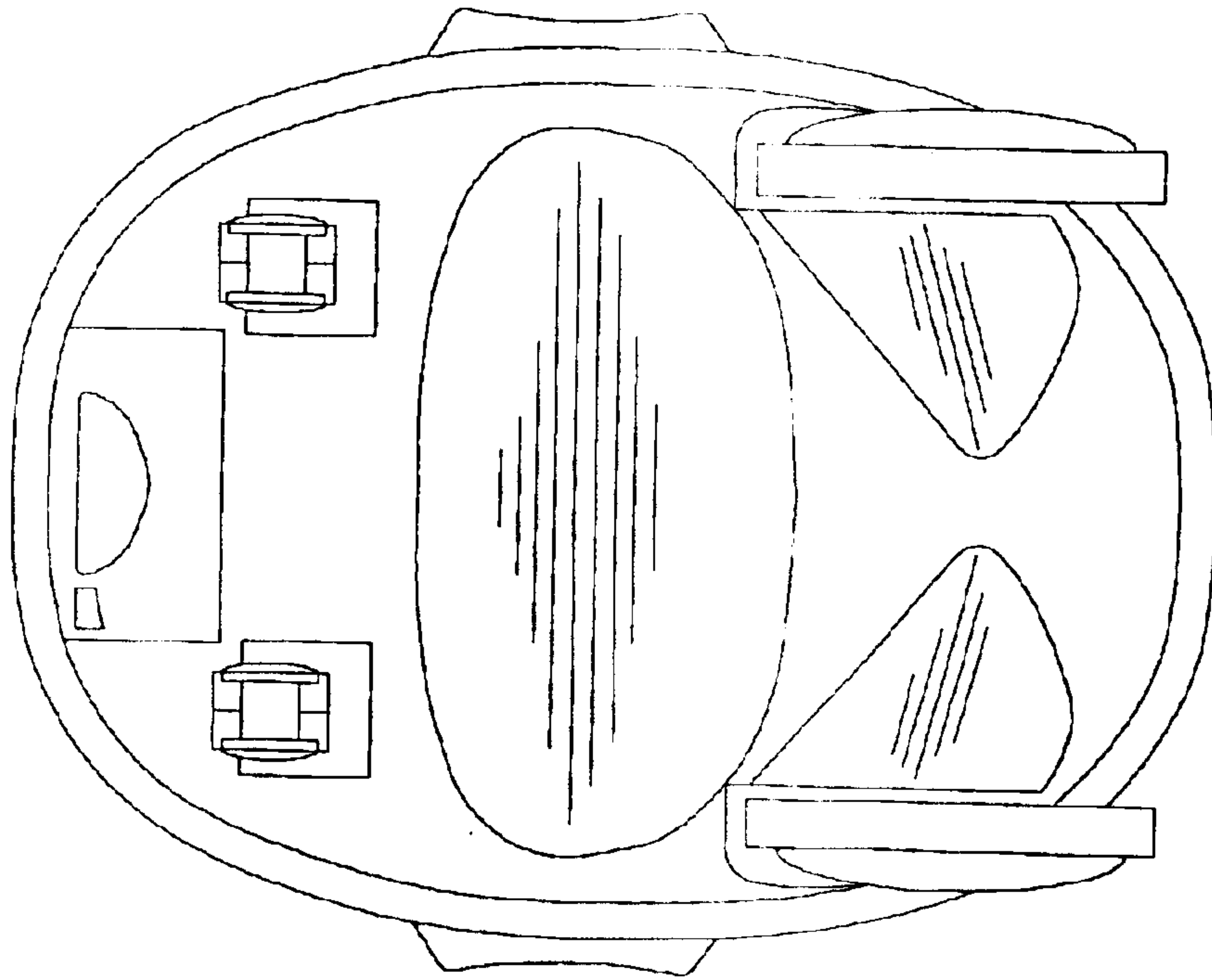


FIG. 5

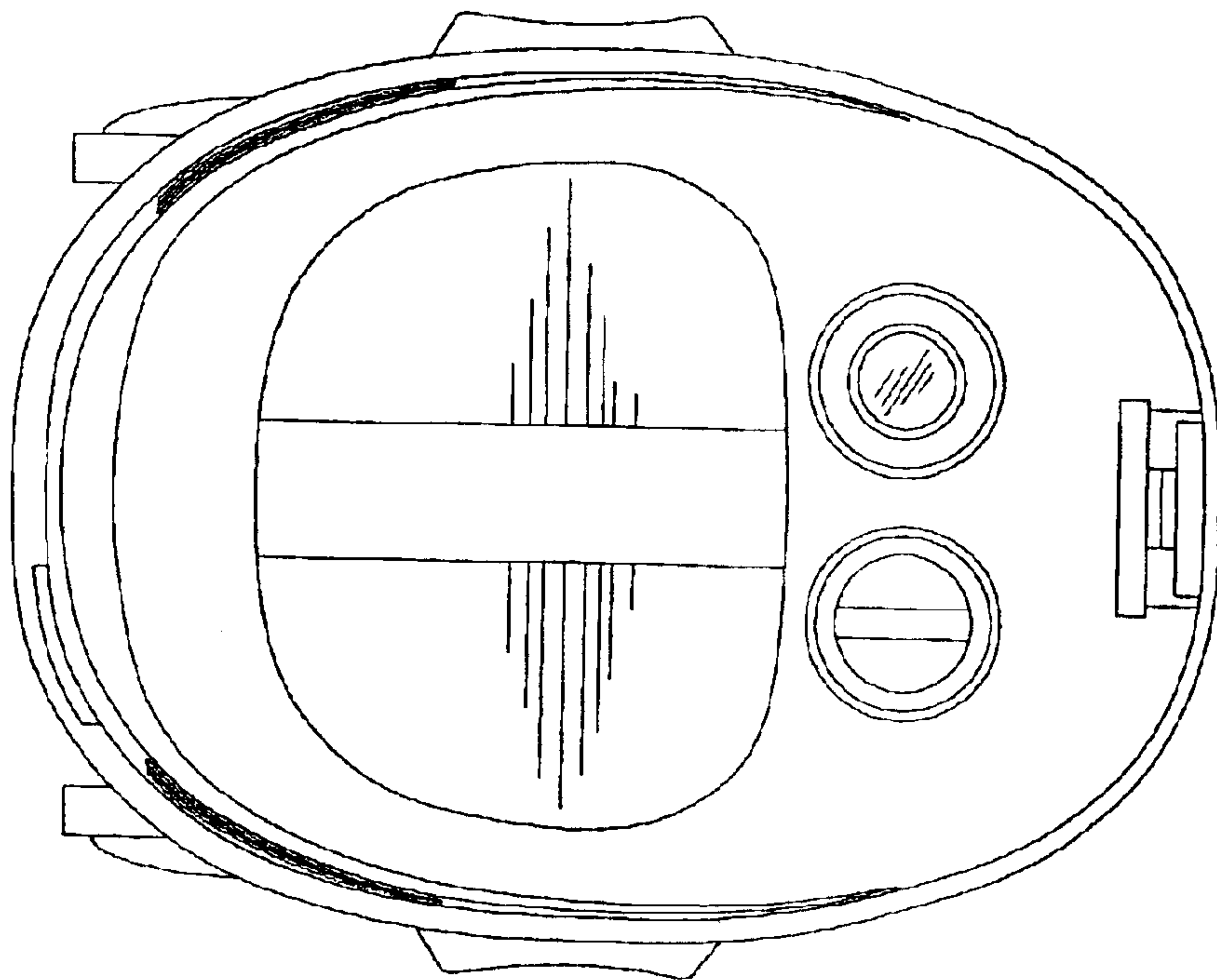


FIG. 6

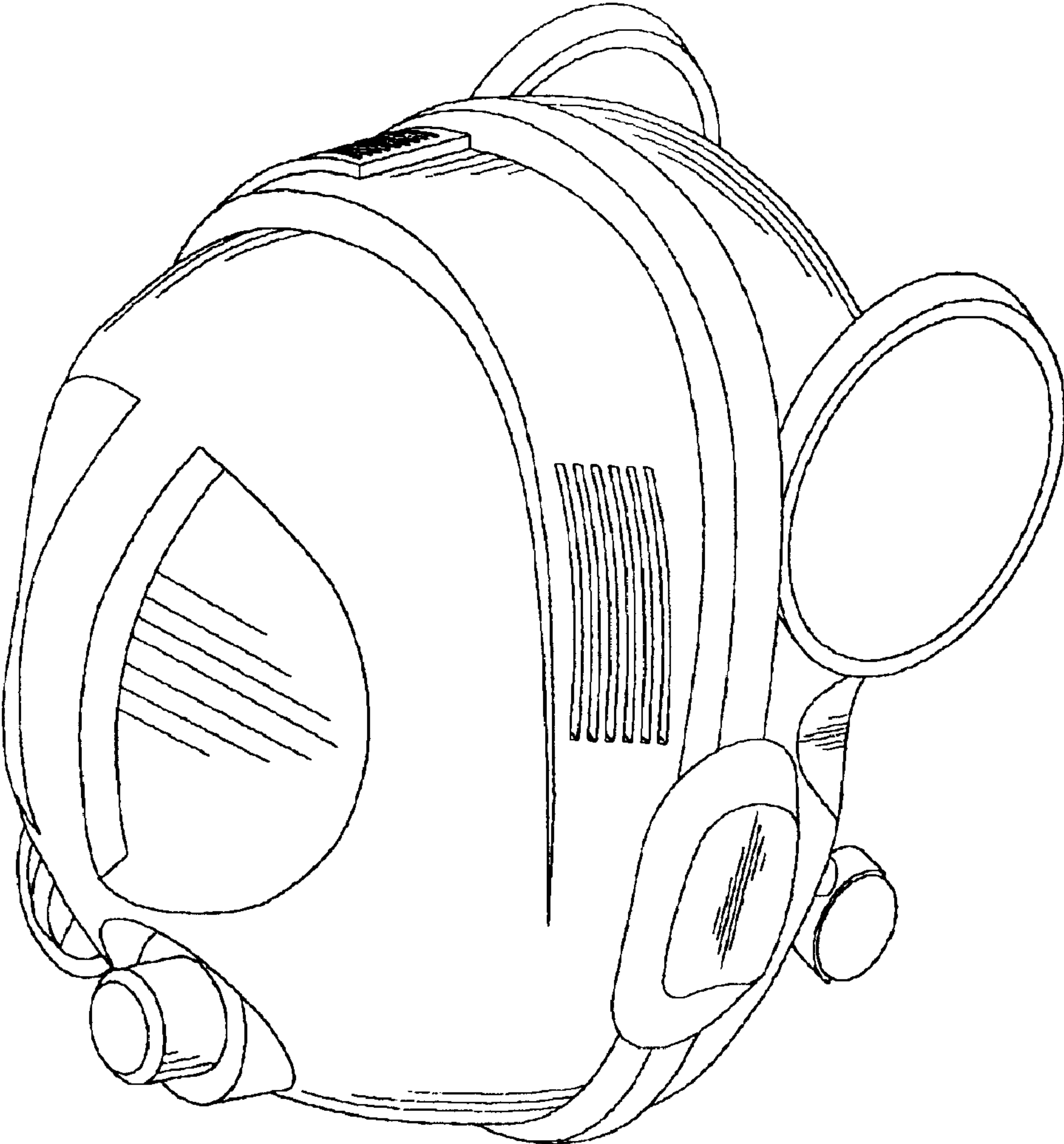


FIG.7