

US00D499516S

(12) **United States Design Patent** (10) **Patent No.:** **US D499,516 S**
Fike (45) **Date of Patent:** **** Dec. 7, 2004**

(54) **FARRIER'S TRIMMING AND FINISHING AID**

333,213 A 12/1885 Gibbs
353,985 A 12/1886 Spath et al.
399,886 A 3/1889 Halstead
743,807 A 11/1903 Begg
1,198,467 A * 9/1916 Maltby 168/44
6,325,154 B1 12/2001 Keeler

(76) Inventor: **Dale Glenn Fike**, 20960 Cielo Vista Way, Wildomar, CA (US) 92595

(**) Term: **14 Years**

* cited by examiner

(21) Appl. No.: **29/191,253**

Primary Examiner—Pamela Burgess

(22) Filed: **Oct. 3, 2003**

(74) *Attorney, Agent, or Firm*—Mary Jo Redman; Calif Tervo

(51) **LOC (7) Cl.** **30-04**

(57) **CLAIM**

(52) **U.S. Cl.** **D30/143; D30/199; 168/44**

The ornamental design for a farrier's trimming and finishing aid, as shown and described.

(58) **Field of Search** D30/143, 199; 168/44; 119/816, 174, 712, 788, 755-757; 249/122; 54/81, 1; 248/163.1, 440.1

DESCRIPTION

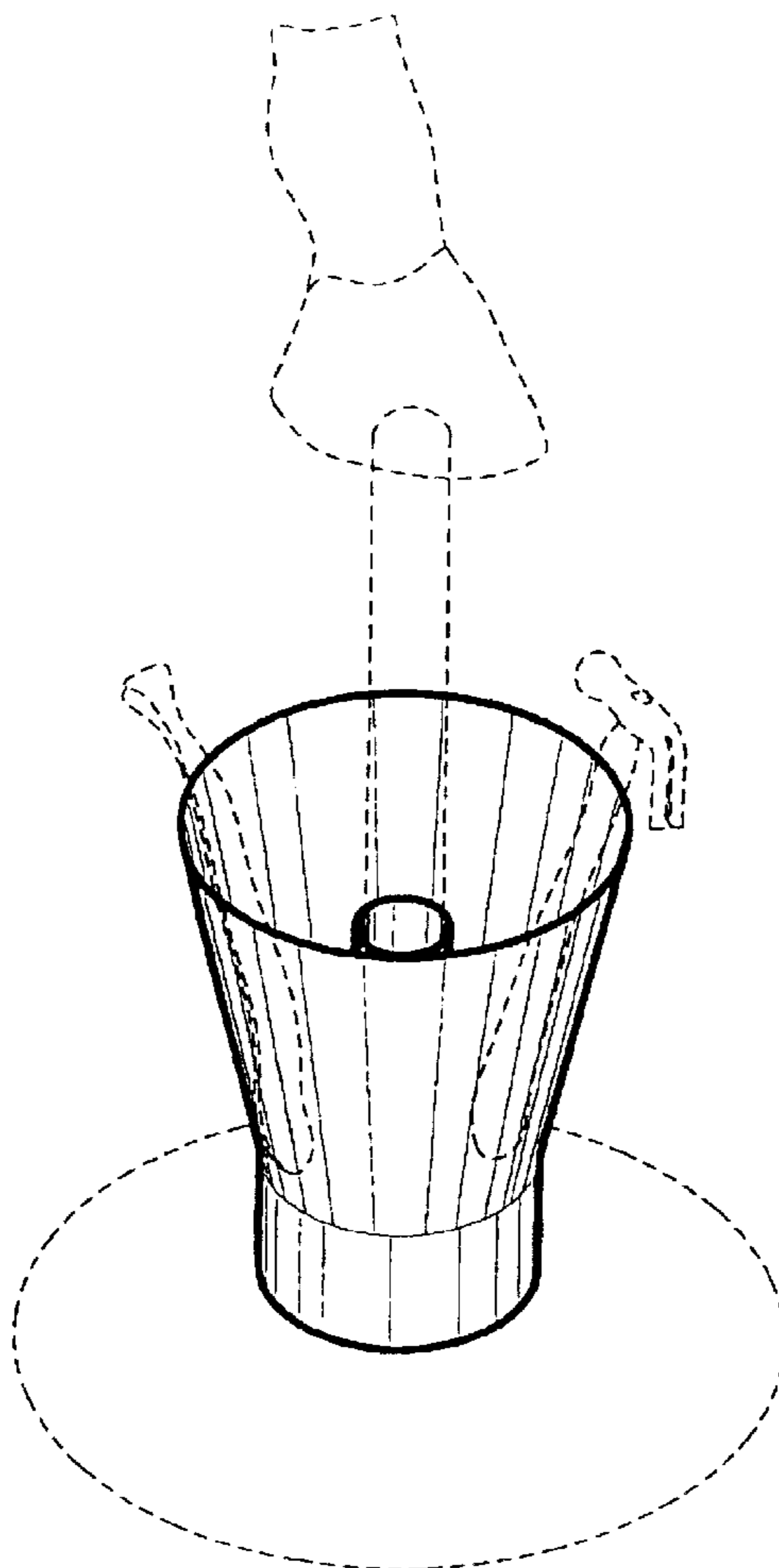
(56) **References Cited**

FIG. 1 is a top perspective view of a farrier's trimming and finishing aid showing my new design, the broken lines shown are for illustrative purposes only and form no part of the claimed design;
FIG. 2 is a side elevational view thereof;
FIG. 3 is a top plan view thereof; and,
FIG. 4 is a bottom plan view thereof.

U.S. PATENT DOCUMENTS

11,624 A *	8/1854	Warlick	168/44
89,379 A *	4/1869	Blackburn	168/44
123,245 A	1/1872	Devoe et al.	
141,651 A *	8/1873	Legg	168/44
158,529 A	1/1875	Schnoor	
241,896 A	5/1881	Van Houten	

1 Claim, 1 Drawing Sheet



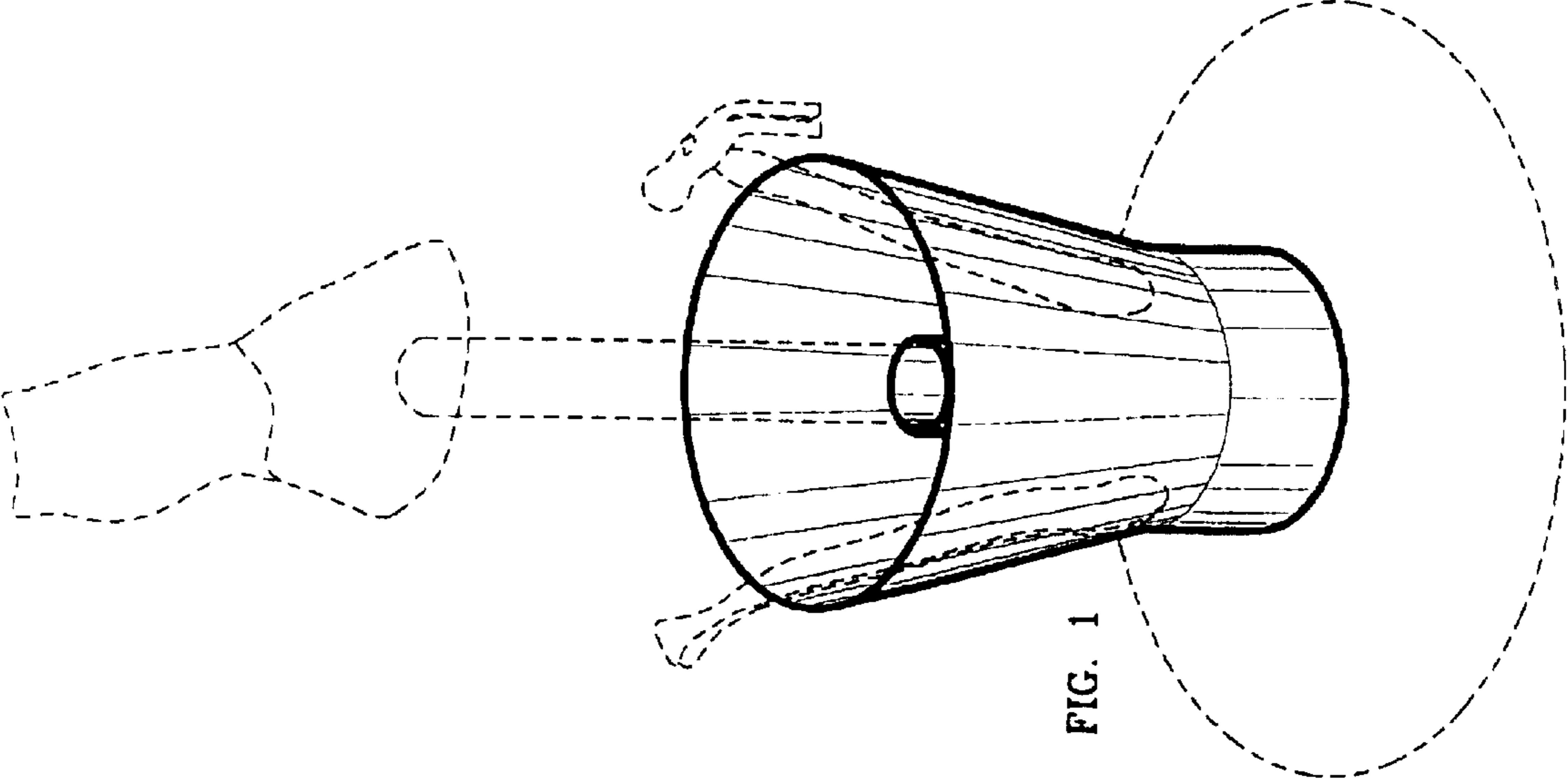


FIG. 1

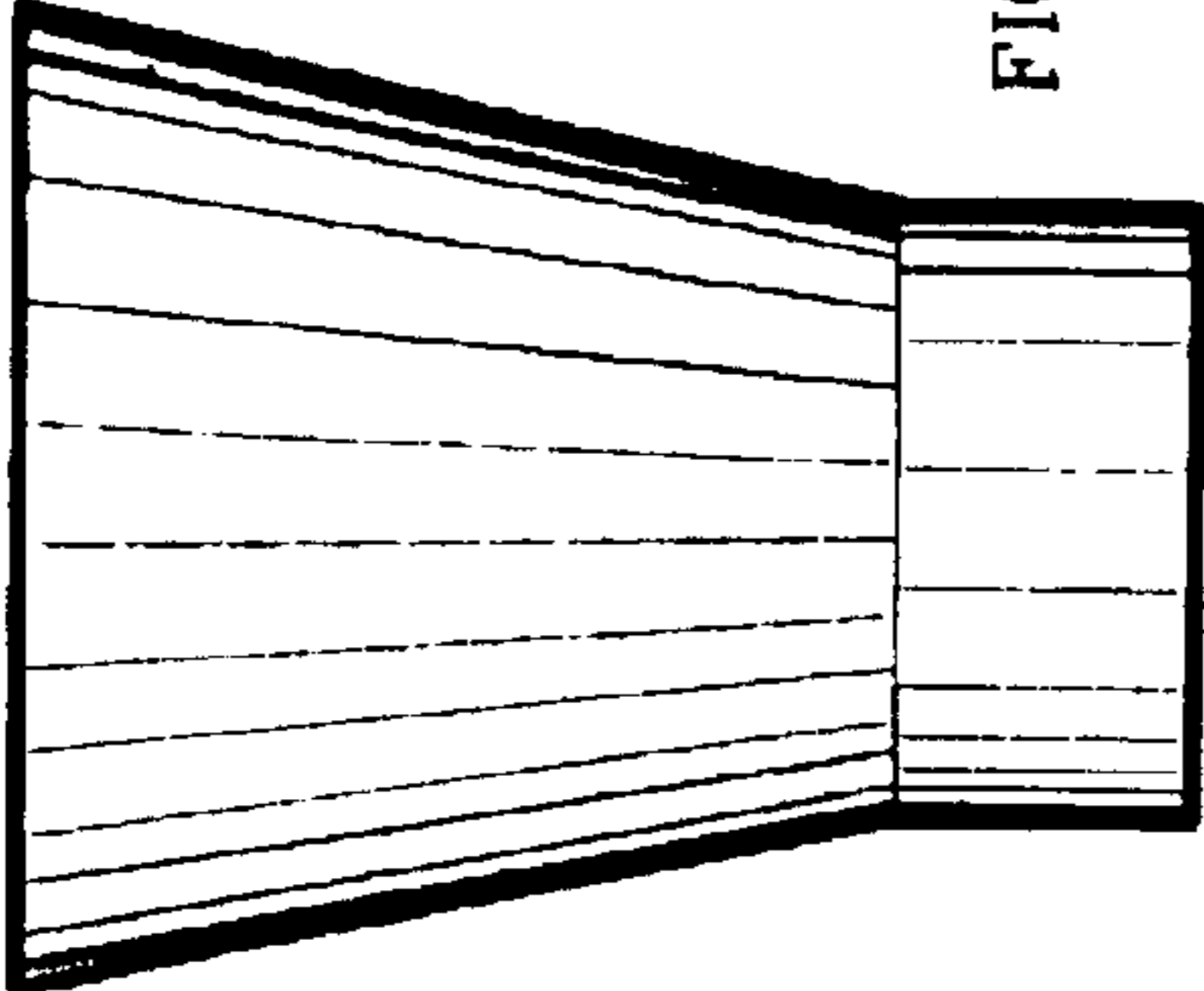


FIG. 2

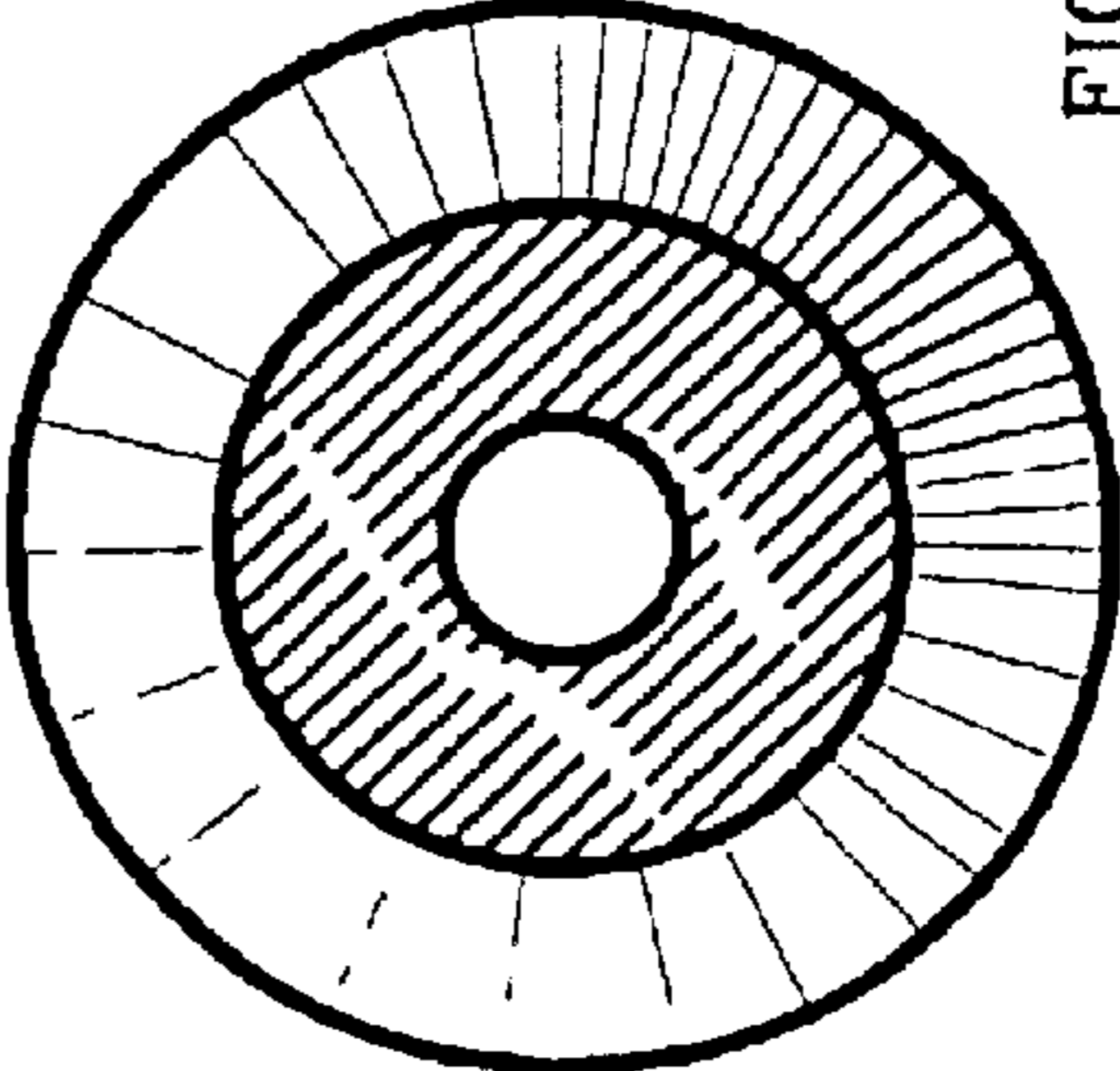


FIG. 3

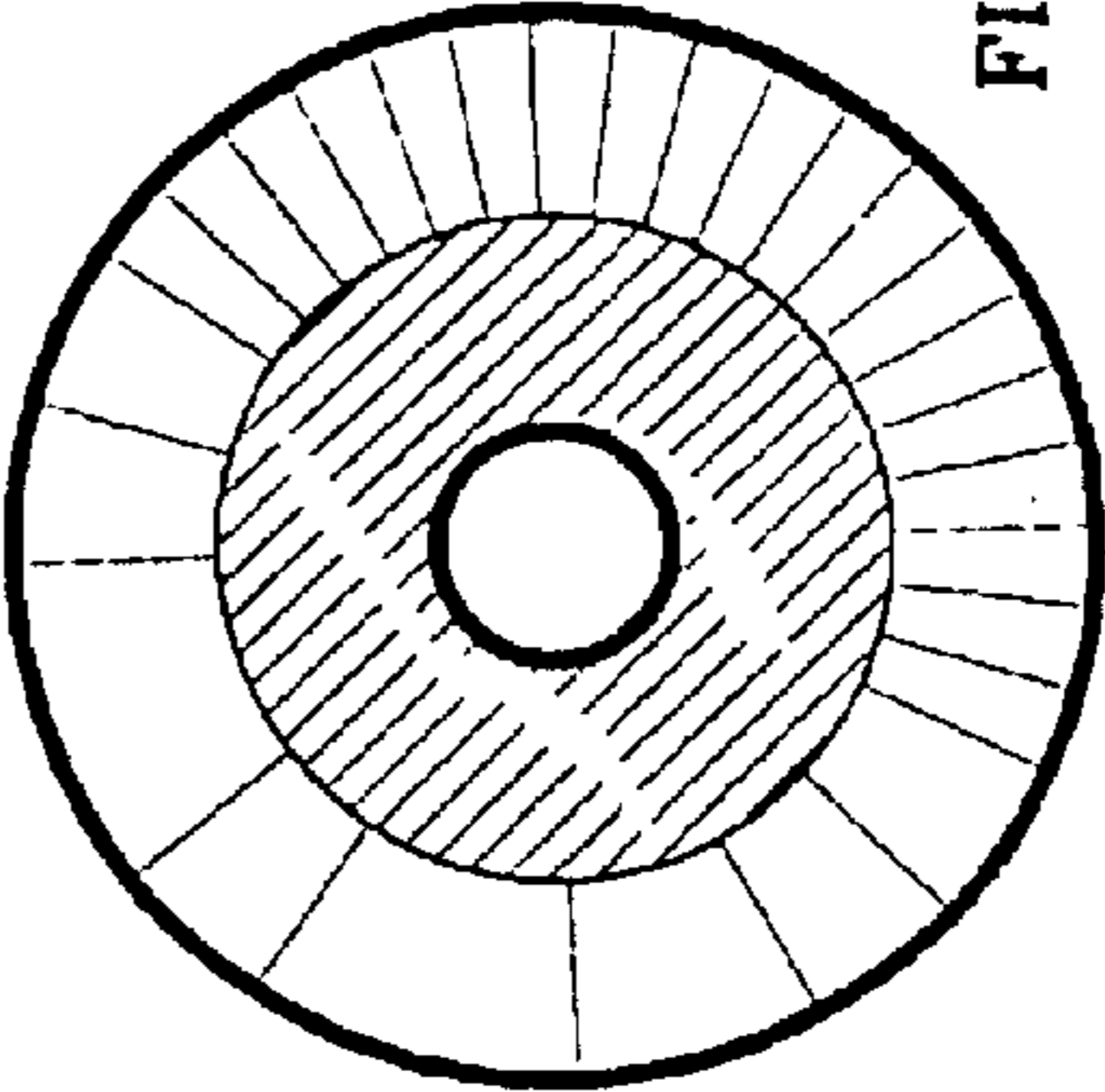


FIG. 4