

US00D499510S

(12) **United States Design Patent**
Angeletta

(10) **Patent No.:** **US D499,510 S**

(45) **Date of Patent:** **** Dec. 7, 2004**

(54) **LIQUID AND LOTION APPLICATOR**

(76) **Inventor:** **Joseph G. Angeletta**, 418 Fifth St.,
Mamaroneck, NY (US) 10543

(**) **Term:** **14 Years**

(21) **Appl. No.:** **29/168,708**

(22) **Filed:** **Oct. 7, 2002**

Related U.S. Application Data

(62) Division of application No. 29/144,347, filed on Jun. 29,
2001, now abandoned.

(51) **LOC (7) Cl.** **28-02**

(52) **U.S. Cl.** **D28/7**

(58) **Field of Search** D28/7, 63; D24/119;
D9/307, 318, 310; D3/270, 271; 132/320,
317; D4/114, 124-126, 137, 138, 116, 127;
D32/40, 42, 43, 45, 51; D30/158; 401/6,
196, 202-207, 263-266, 268, 270-275;
15/104.94, 244.1-244.4, 143.1; D20/37,
29, 41

(56) **References Cited**

U.S. PATENT DOCUMENTS

D72,330 S * 3/1927 Raynor D9/307
D177,727 S * 5/1956 Hauser D20/29
5,454,659 A * 10/1995 Vosbikian et al. 401/207

D384,436 S * 9/1997 Kelley D28/7
5,931,591 A * 8/1999 McCracken 401/6
D417,033 S * 11/1999 Sachs et al. D28/7
D434,525 S * 11/2000 Angeletta D28/7
D445,954 S * 7/2001 Angeletta D28/7
D451,637 S * 12/2001 Angeletta D28/7
D460,212 S * 7/2002 Angeletta D28/7
D461,279 S * 8/2002 Angeletta D28/7

* cited by examiner

Primary Examiner—Lucy Lieberman

(74) *Attorney, Agent, or Firm*—Scully, Scott, Murphy &
Presser

(57) **CLAIM**

The ornamental design for a liquid and lotion applicator, as
shown and described.

DESCRIPTION

FIG. 1 is a top plan view of a liquid and lotion applicator
showing my new design;

FIG. 2 is a side elevation thereof;

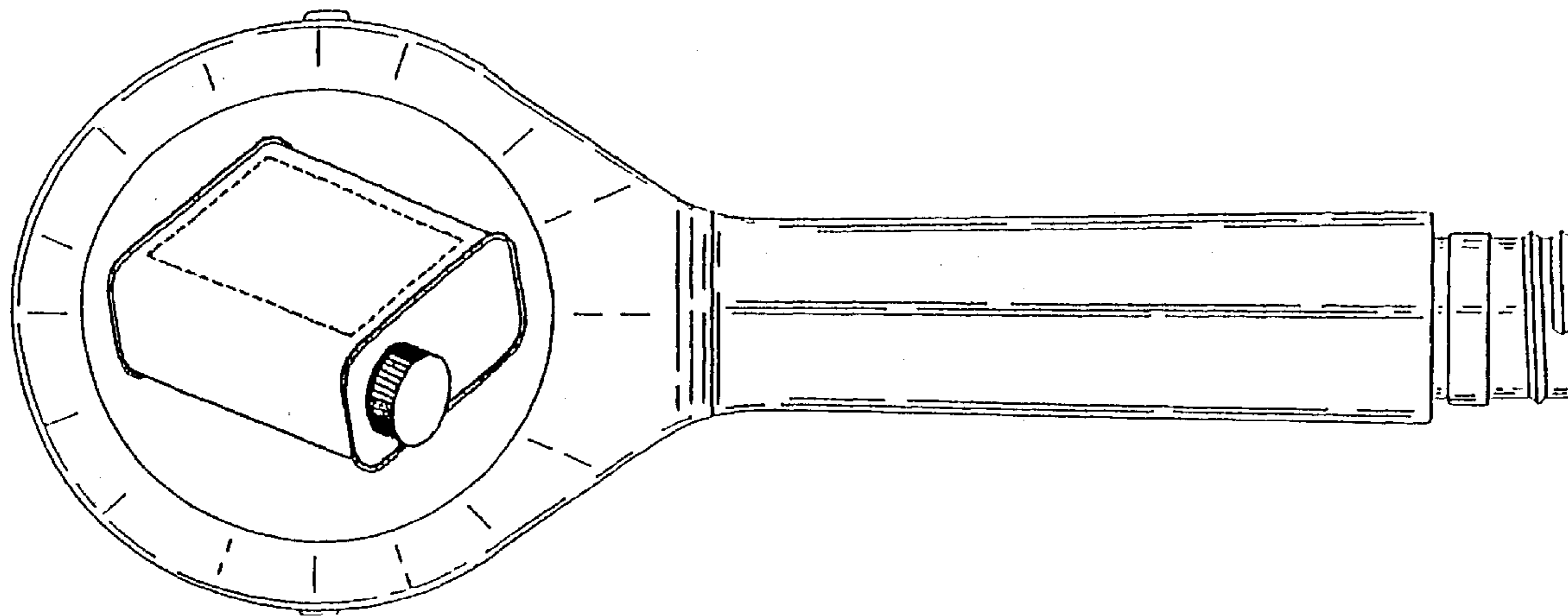
FIG. 3 is a top plan view of a second embodiment of the
liquid and lotion applicator;

FIG. 4 is a side elevation of the second embodiment; and,

FIG. 5 is a bottom plan view of the first and second
embodiments.

The broken lines in FIGS. 1 and 3 show surface ornamen-
tation that does form part of the claimed design.

1 Claim, 3 Drawing Sheets



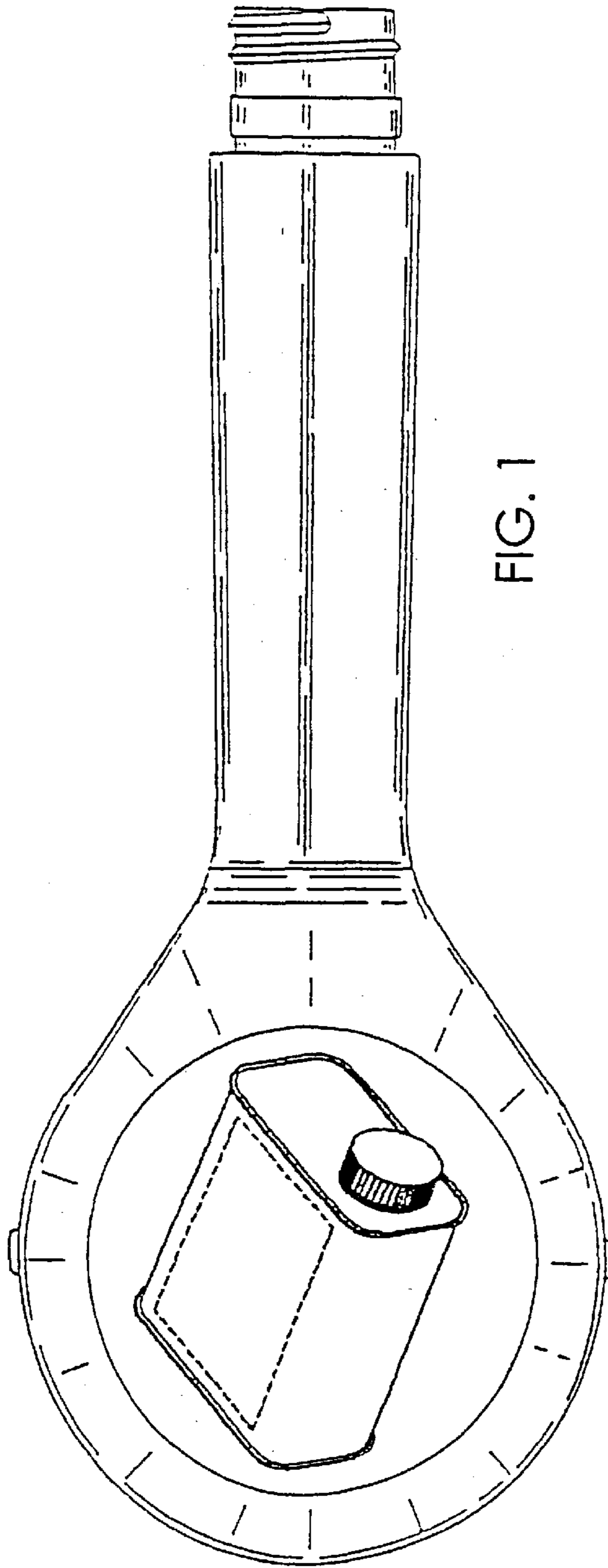


FIG. 1

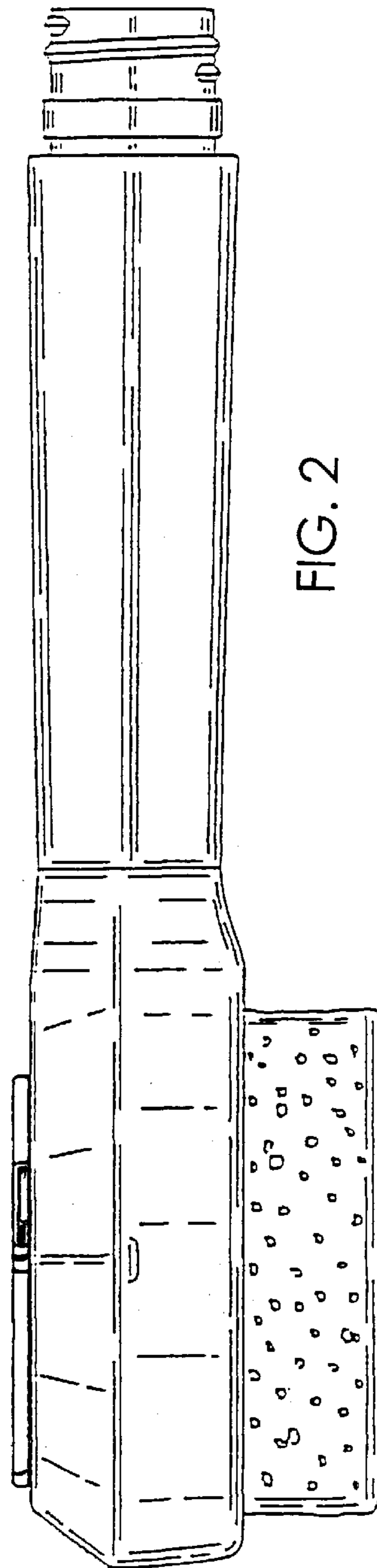


FIG. 2

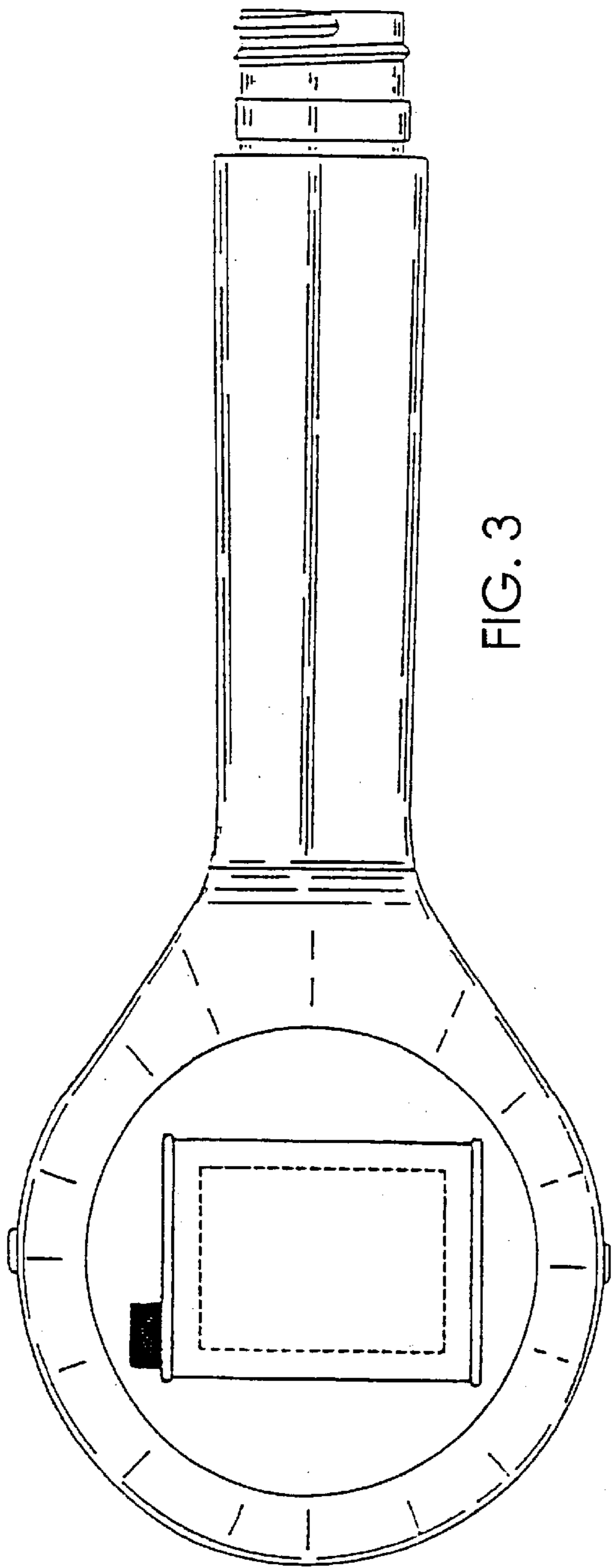


FIG. 3

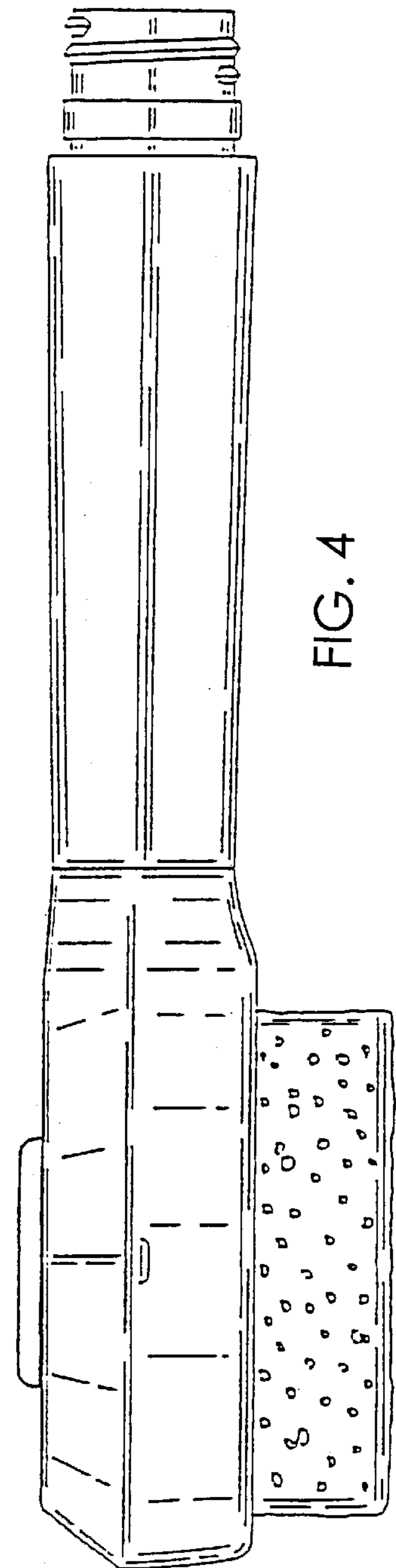


FIG. 4

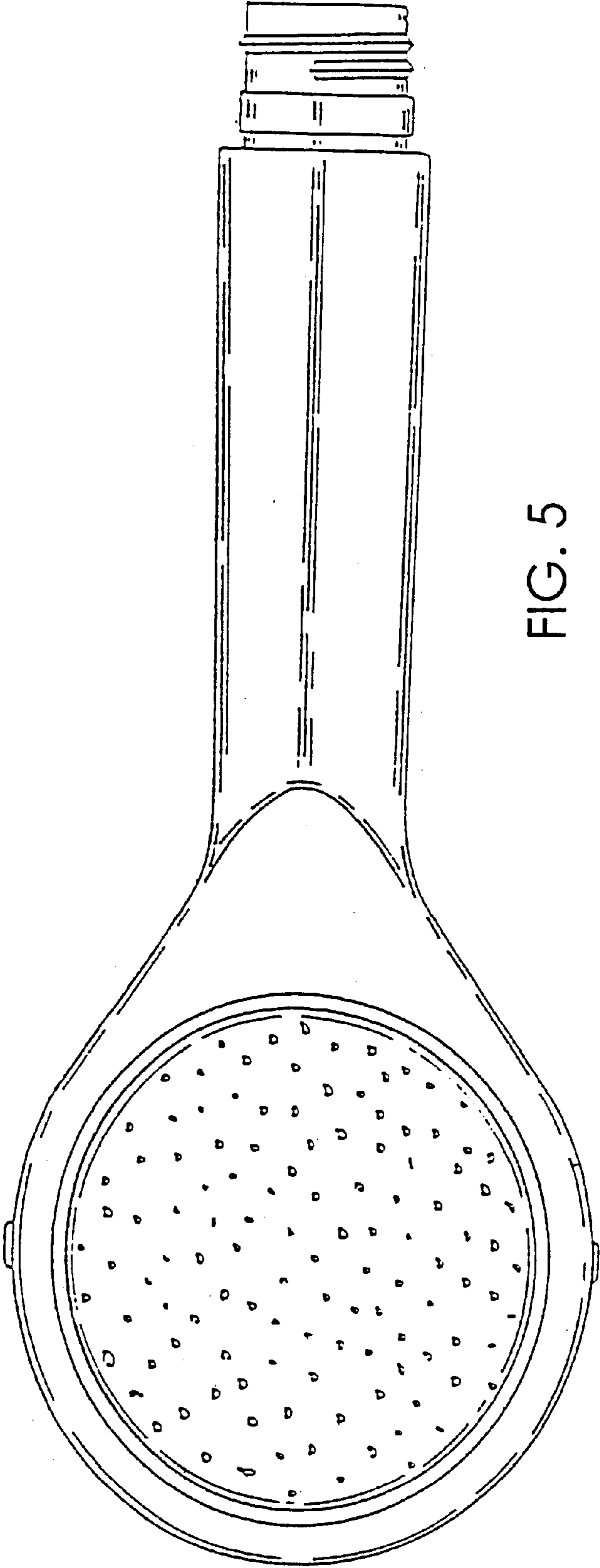


FIG. 5