

US00D499507S

(12) **United States Design Patent**
Parres

(10) **Patent No.:** **US D499,507 S**
(45) **Date of Patent:** **** Dec. 7, 2004**

- (54) **LIGHTING FIXTURE SUPPORT**
- (75) Inventor: **Miguel Parres**, Alta Loma, CA (US)
- (73) Assignee: **Minka Lighting, Inc.**, Corona, CA (US)
- (**) Term: **14 Years**
- (21) Appl. No.: **29/191,024**
- (22) Filed: **Sep. 29, 2003**
- (51) **LOC (7) Cl.** **26-99**
- (52) **U.S. Cl.** **D26/143; D26/144; D26/81**
- (58) **Field of Search** **D26/72-92, 141-144; 362/147, 404-408**

(56) **References Cited**

U.S. PATENT DOCUMENTS

D357,996 S	*	5/1995	Dolan	D26/86
D372,551 S	*	8/1996	Dolan	D26/81
D430,689 S	*	9/2000	Chiang	D26/80
D445,940 S	*	7/2001	Davis, Jr.	D26/81
D459,524 S	*	6/2002	Dolan	D26/86
D459,826 S	*	7/2002	Dolan	D26/81
D488,881 S	*	4/2004	Dolan	D26/81

OTHER PUBLICATIONS

- U.S. patent application Ser. No. 29/190,990, Miguel Parres, filed Sep. 29, 2003.
- U.S. patent application Ser. No. 29/190,992, Miguel Parres, filed Sep. 29, 2003.
- U.S. patent application Ser. No. 29/191,031, Miguel Parres, filed Sep. 29, 2003.

U.S. patent application Ser. No. 29/191,038, Miguel Parres, filed Sep. 29, 2003.
 Wall Mount bath 3Lt Incandescent, Kichler, Inc., Oct. 2003.
 4 Light Cobalt Chandelier, Kichler, Inc., Oct. 2003.
 3 Light Cobalt Bath Fixture, Kichler, Inc., Oct. 2003.

* cited by examiner

Primary Examiner—Clare E Heflin
 (74) *Attorney, Agent, or Firm*—Jenkins & Gilchrist, P.C.

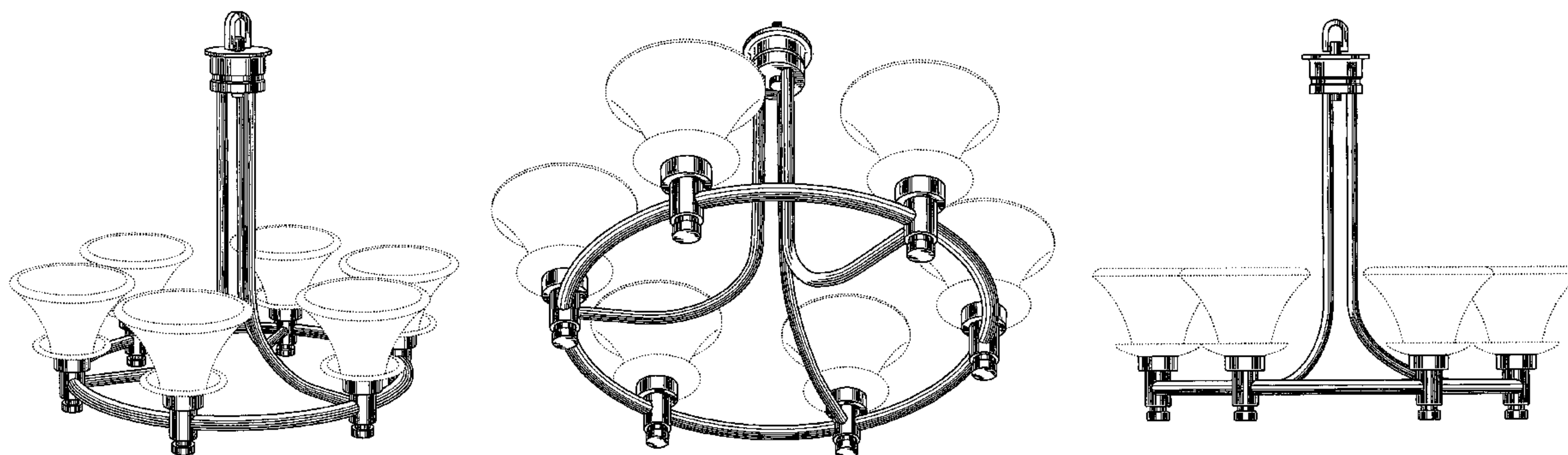
(57) **CLAIM**

The ornamental design for the lighting fixture support, as shown and described.

DESCRIPTION

FIG. 1 is a perspective view from above of a lighting fixture support in accordance with my design, shown in its environment;
 FIG. 2 is a perspective view from below of the lighting fixture support in accordance with my design, shown in its environment;
 FIG. 3 is a front elevation view of the lighting fixture support in accordance with my design, shown in its environment;
 FIG. 4 is a side elevation view of the lighting fixture support in accordance with my design, shown in its environment;
 FIG. 5 is a top plan view of the lighting fixture support in accordance with my design, shown in its environment; and,
 FIG. 6 is a bottom plan view of the lighting fixture support in accordance with my design, shown in its environment.
 The broken lines showing environmental structure are for illustrative purposes and form no part of the claimed design.
 The front and side elevation views are symmetrical.

1 Claim, 6 Drawing Sheets



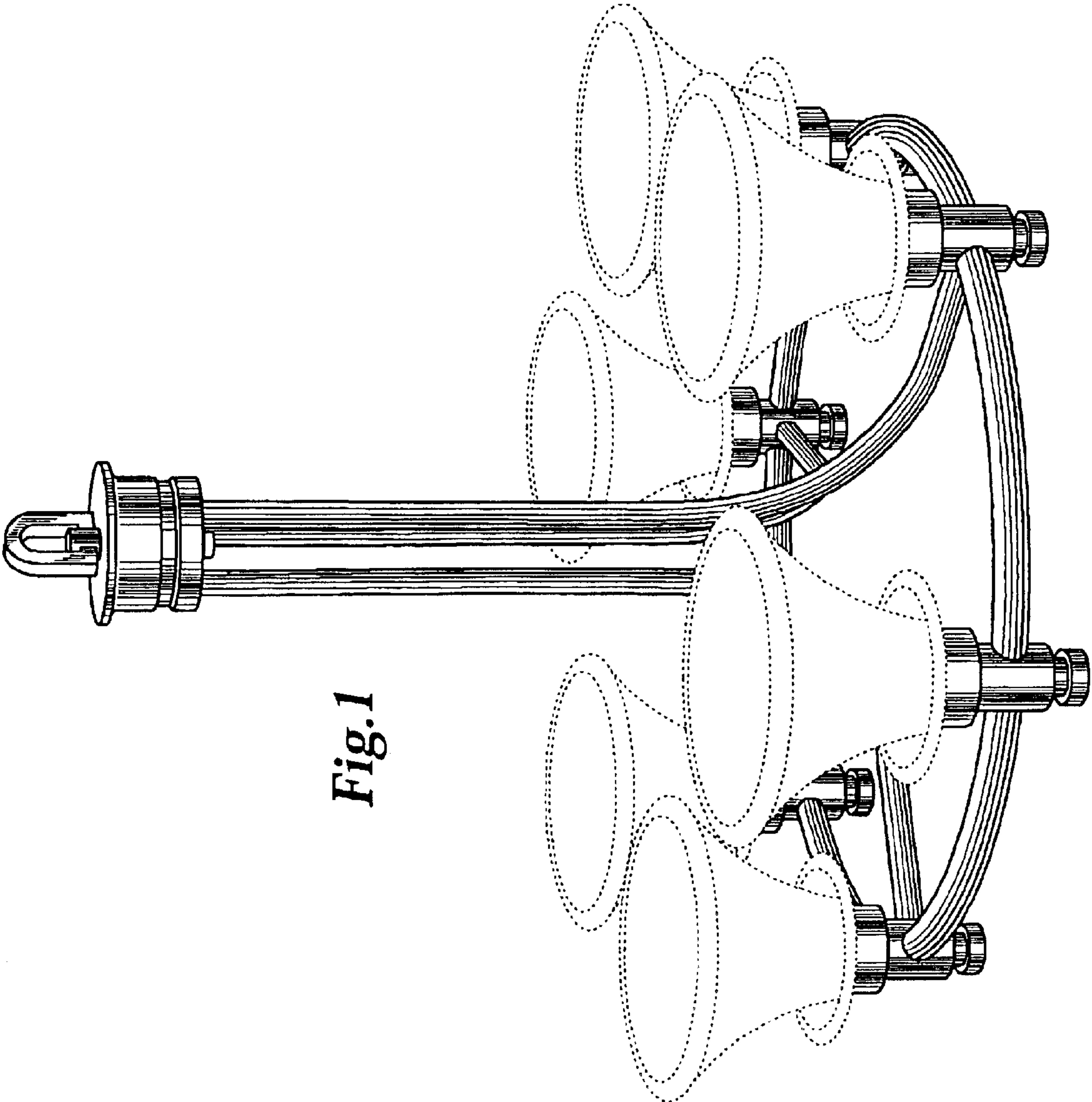


Fig. 1

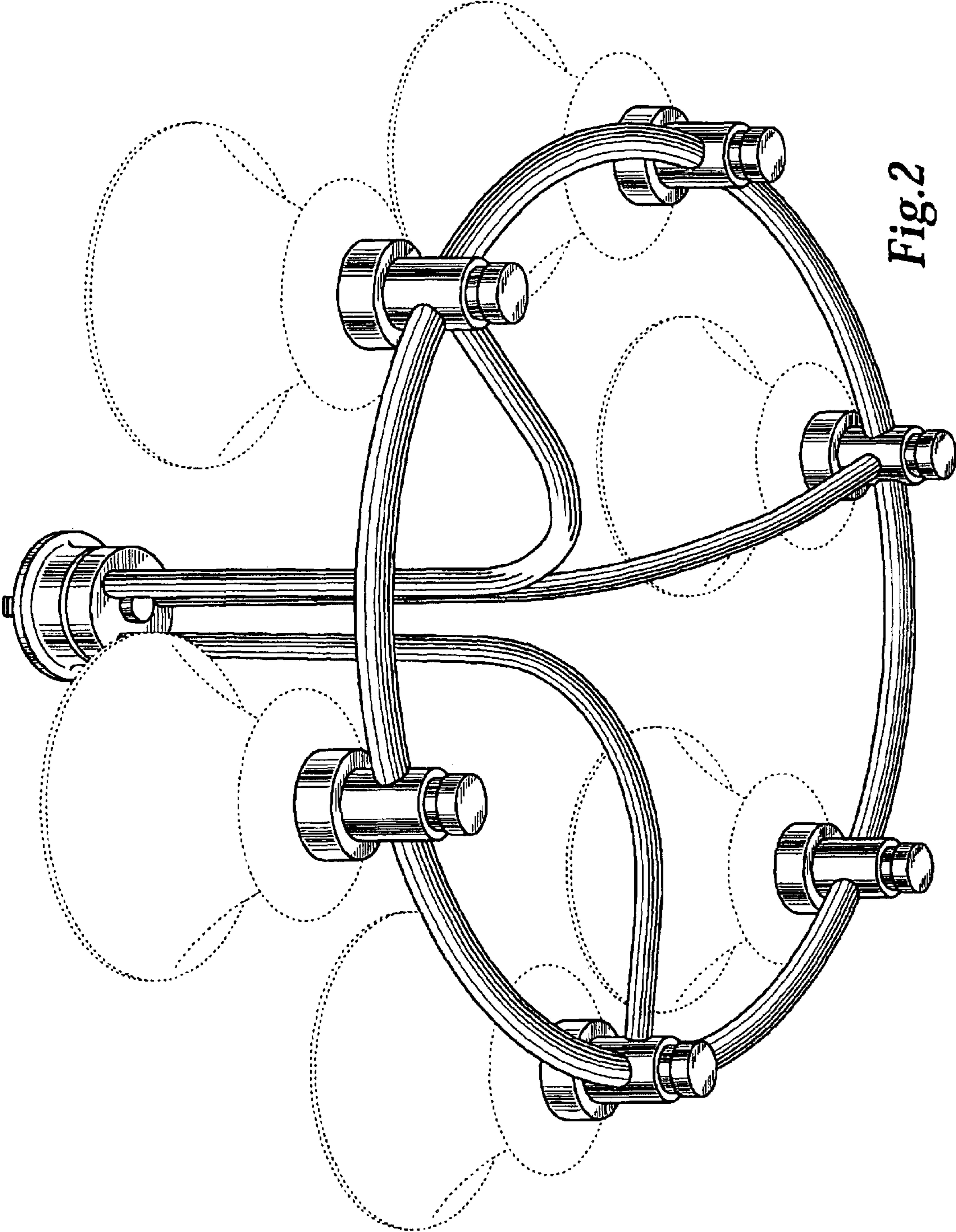


Fig. 2

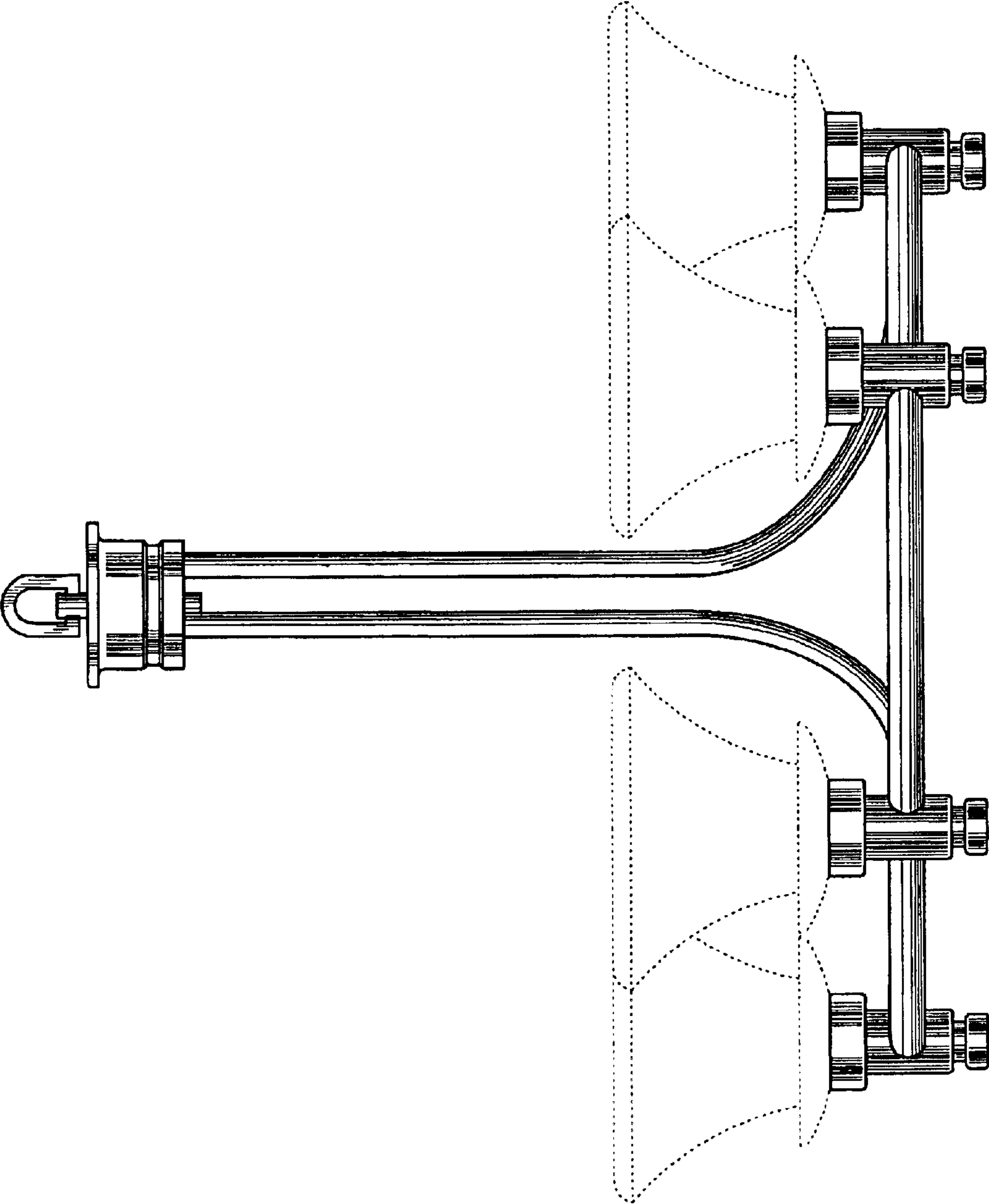


Fig. 3

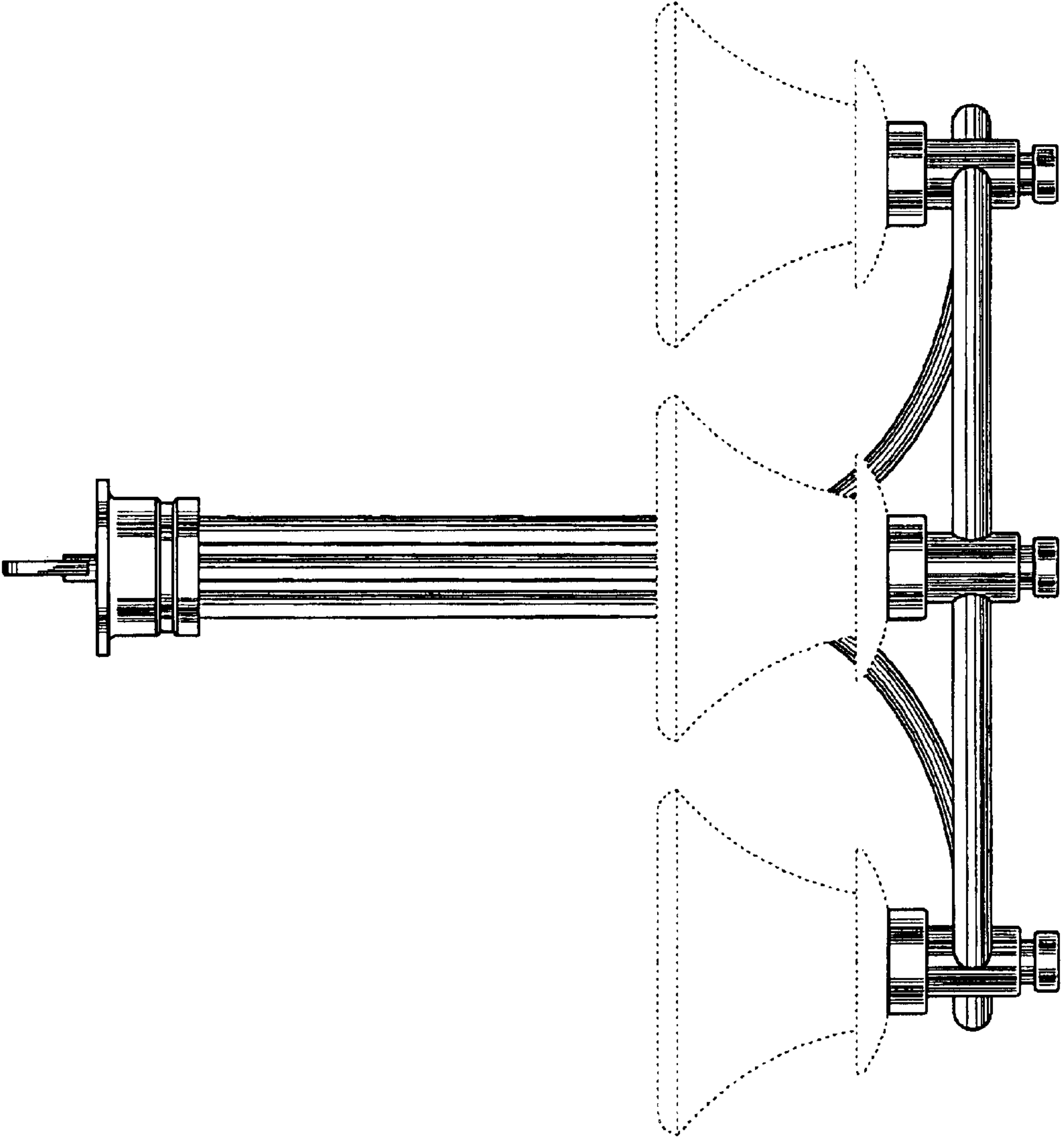


Fig. 4

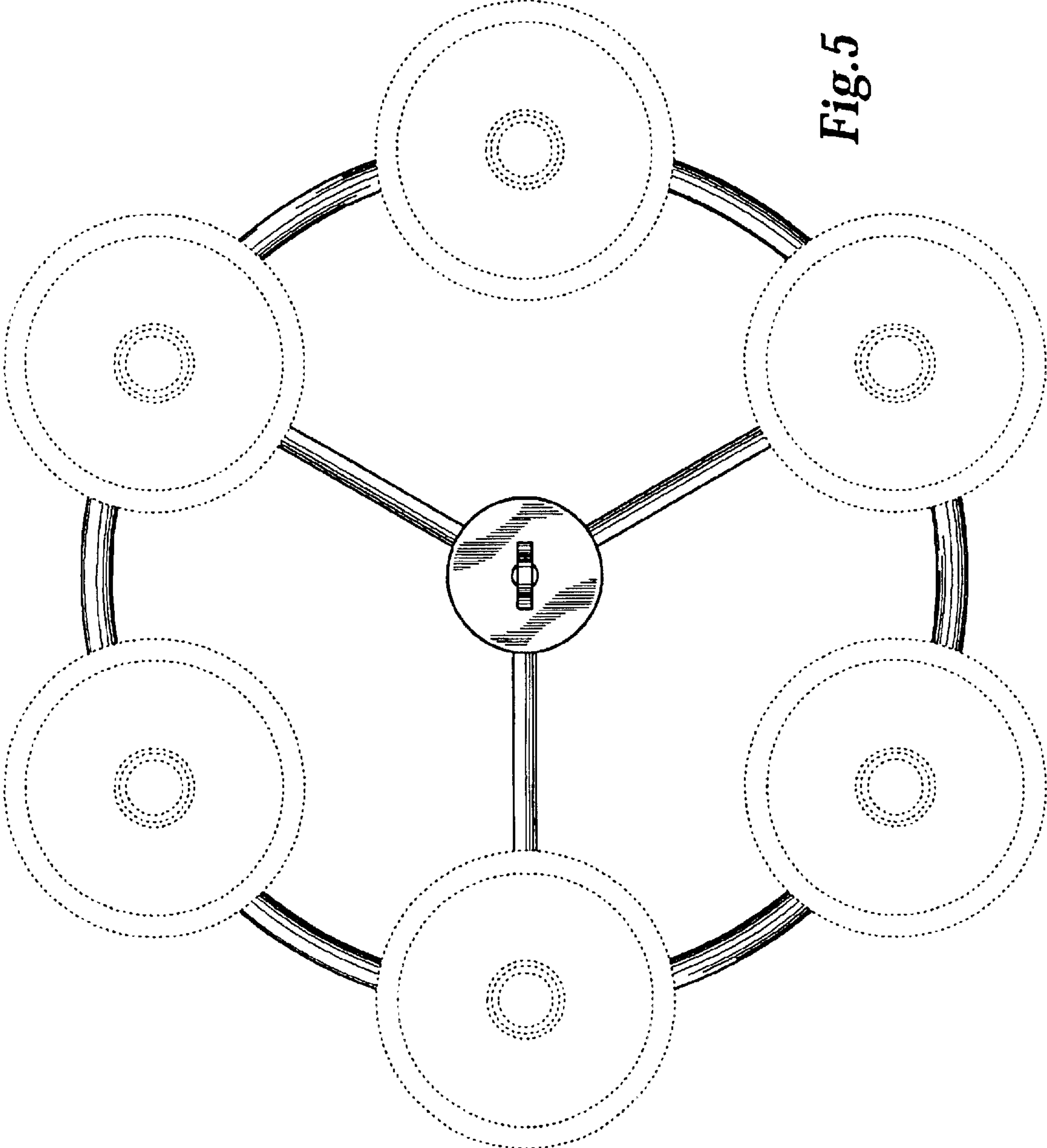


Fig. 5

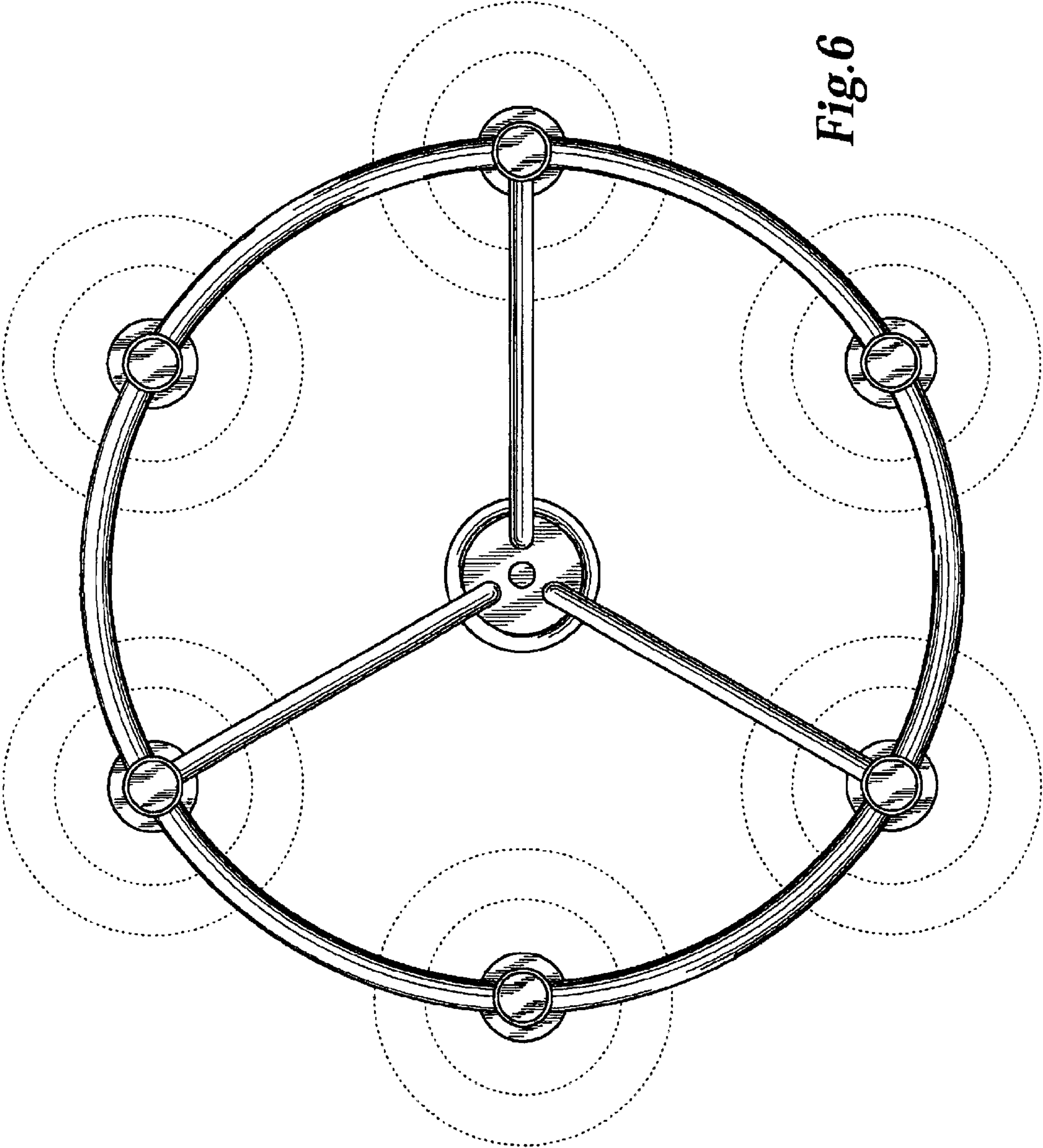


Fig. 6