



US00D499505S

(12) **United States Design Patent**
Benensohn

(10) **Patent No.:** **US D499,505 S**
(45) **Date of Patent:** **** Dec. 7, 2004**

(54) **LIGHTING FIXTURE**

(75) **Inventor:** **Sanford H. Benensohn**, Valencia, CA (US)

(73) **Assignee:** **Lusa Lighting, Inc.**, Valencia, CA (US)

(**) **Term:** **14 Years**

(21) **Appl. No.:** **29/185,325**

(22) **Filed:** **Jun. 27, 2003**

(51) **LOC (7) Cl.** **26-03**

(52) **U.S. Cl.** **D26/89**

(58) **Field of Search** D26/24, 27, 59,
D26/72, 79, 128, 131; 362/147, 404-408,
432

(56) **References Cited**

U.S. PATENT DOCUMENTS

D212,899 S * 12/1968 Vesely D26/24
4,514,792 A * 4/1985 Klaus 362/294
D354,369 S * 1/1995 Pearce D26/85

OTHER PUBLICATIONS

Cens Lighting, Oct. 2002: (1 page), Asialex light fixtures AE6000 on p. 9.*

Progress Lighting 2000 Catalog: (1 page), square close-to-ceiling fixture No.P7118-30 on p. 207.*

Illuminotechnica Nov./Dec. 1997; (1 page), all 4 ceiling fixtures on p. 369.*

* cited by examiner

Primary Examiner—Clare E Heflin

(74) *Attorney, Agent, or Firm*—Michael A. Painter

(57) **CLAIM**

The ornamental design for a lighting fixture, as described and shown.

DESCRIPTION

FIG. 1 is a perspective view of a lighting fixture illustrating my new design;

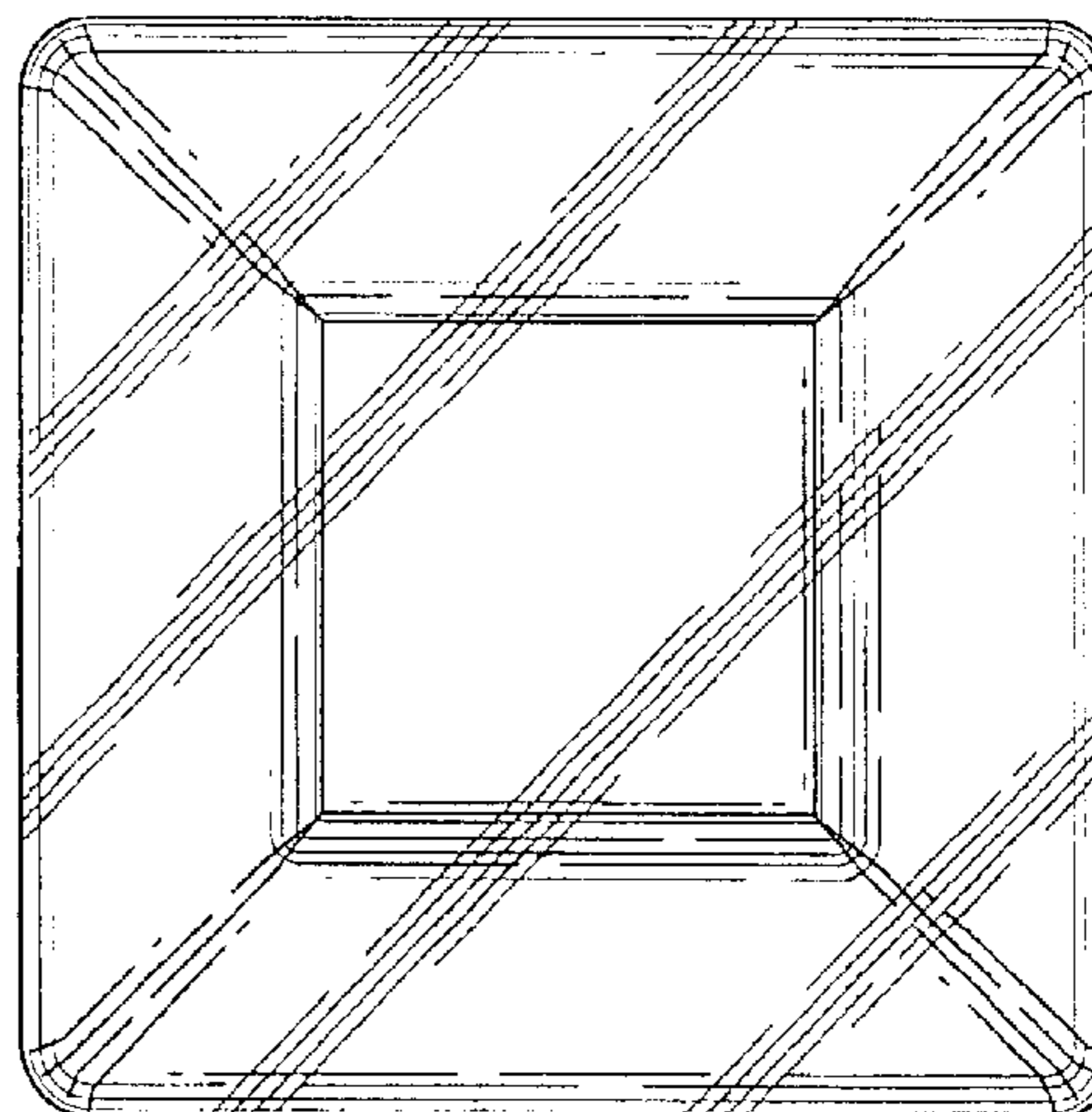
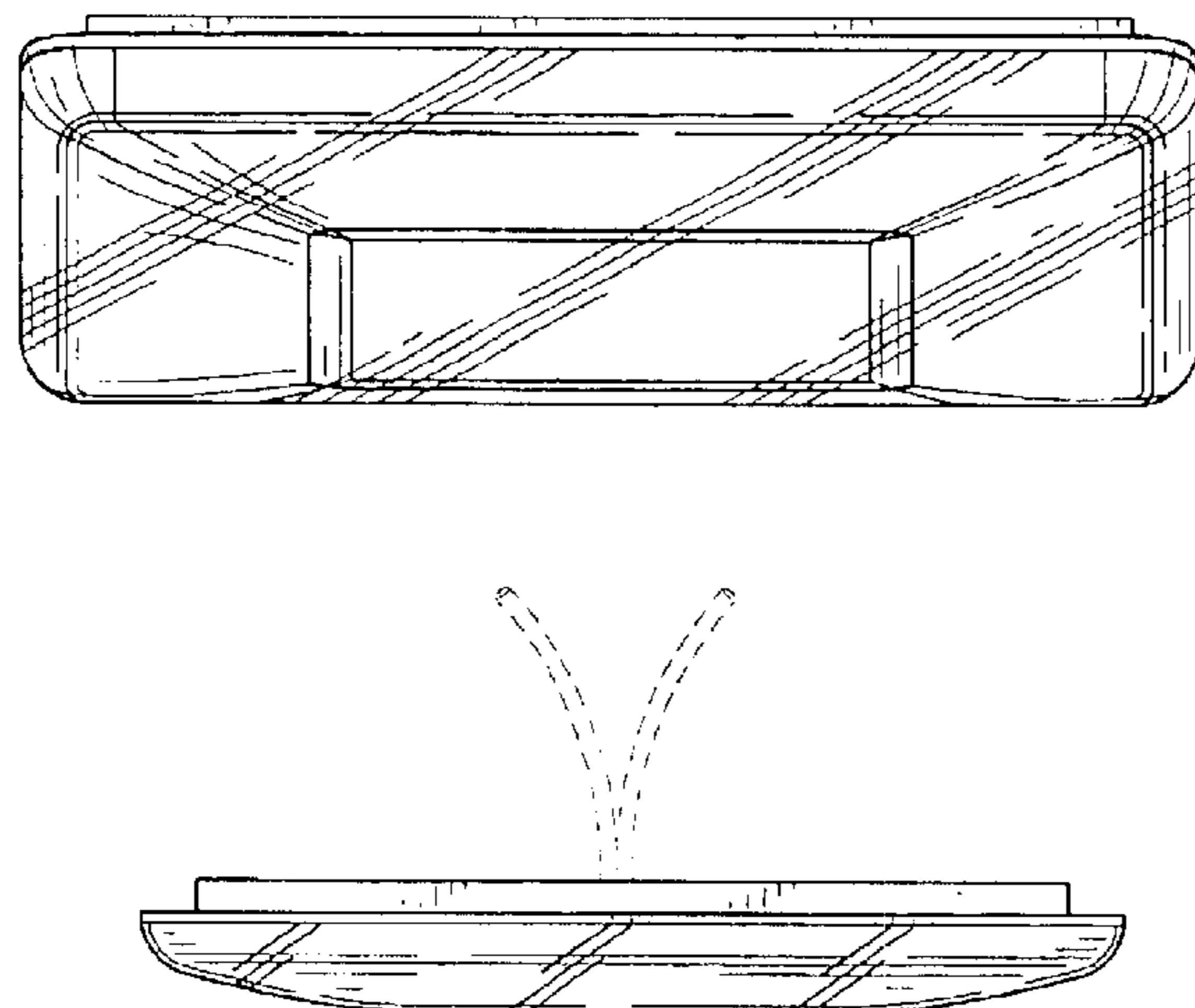
FIG. 2 is a front elevation view thereof, the rear and side elevation views being identical

FIG. 3 is a top plan view thereof; and,

FIG. 4 is a bottom plan view thereof.

The broken line showing wires in FIGS. 2 and 4 are environmental structure only and does not form part of the claimed invention.

1 Claim, 1 Drawing Sheet



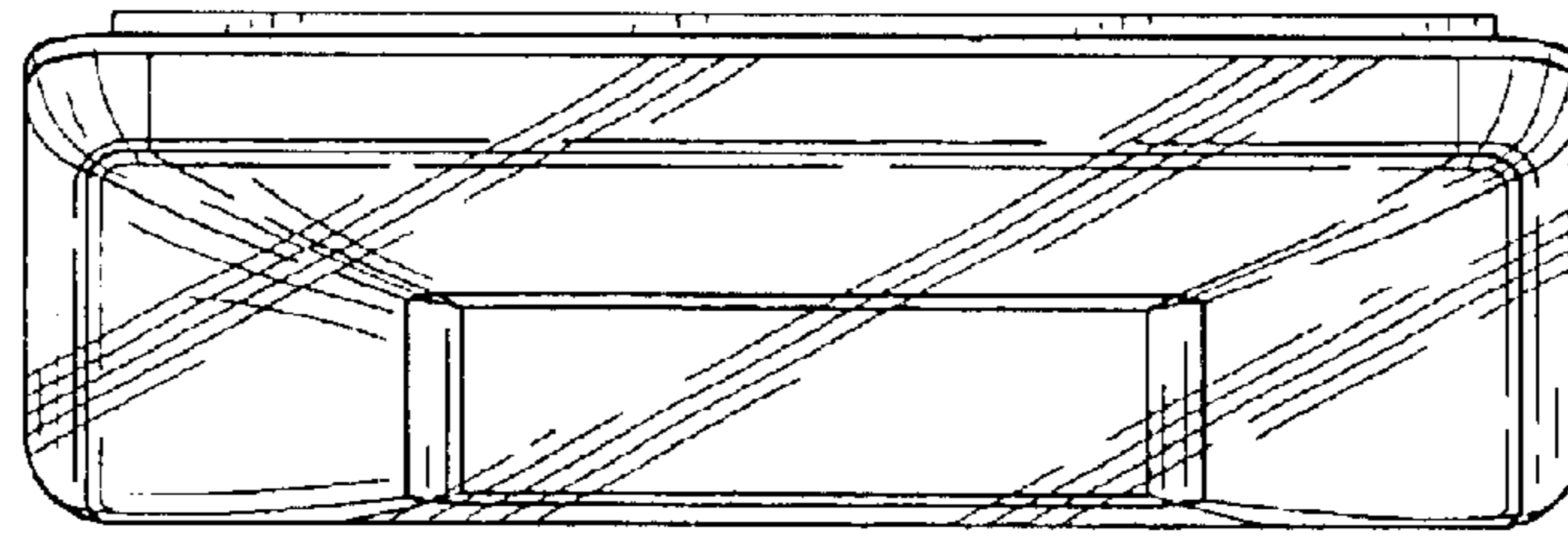


Fig. 1

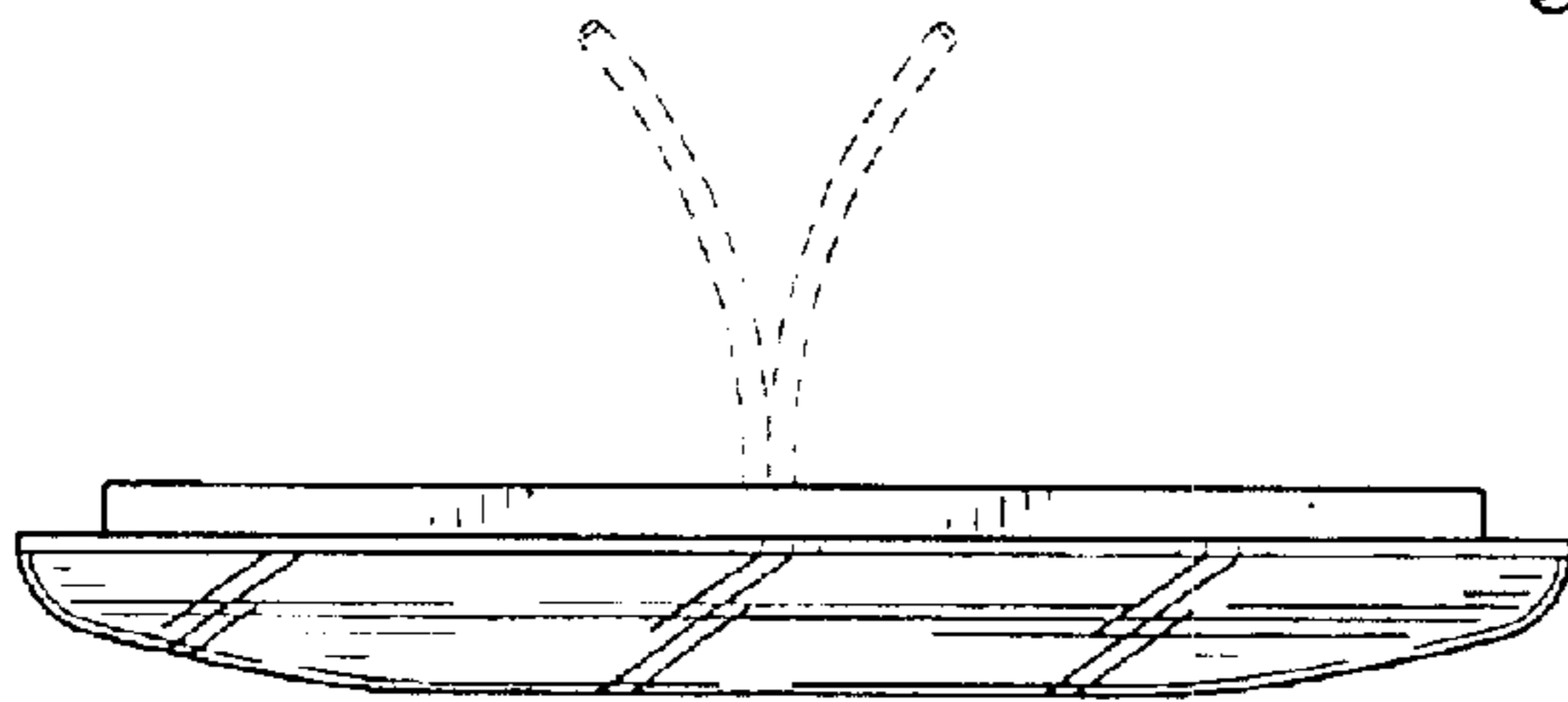


Fig. 2

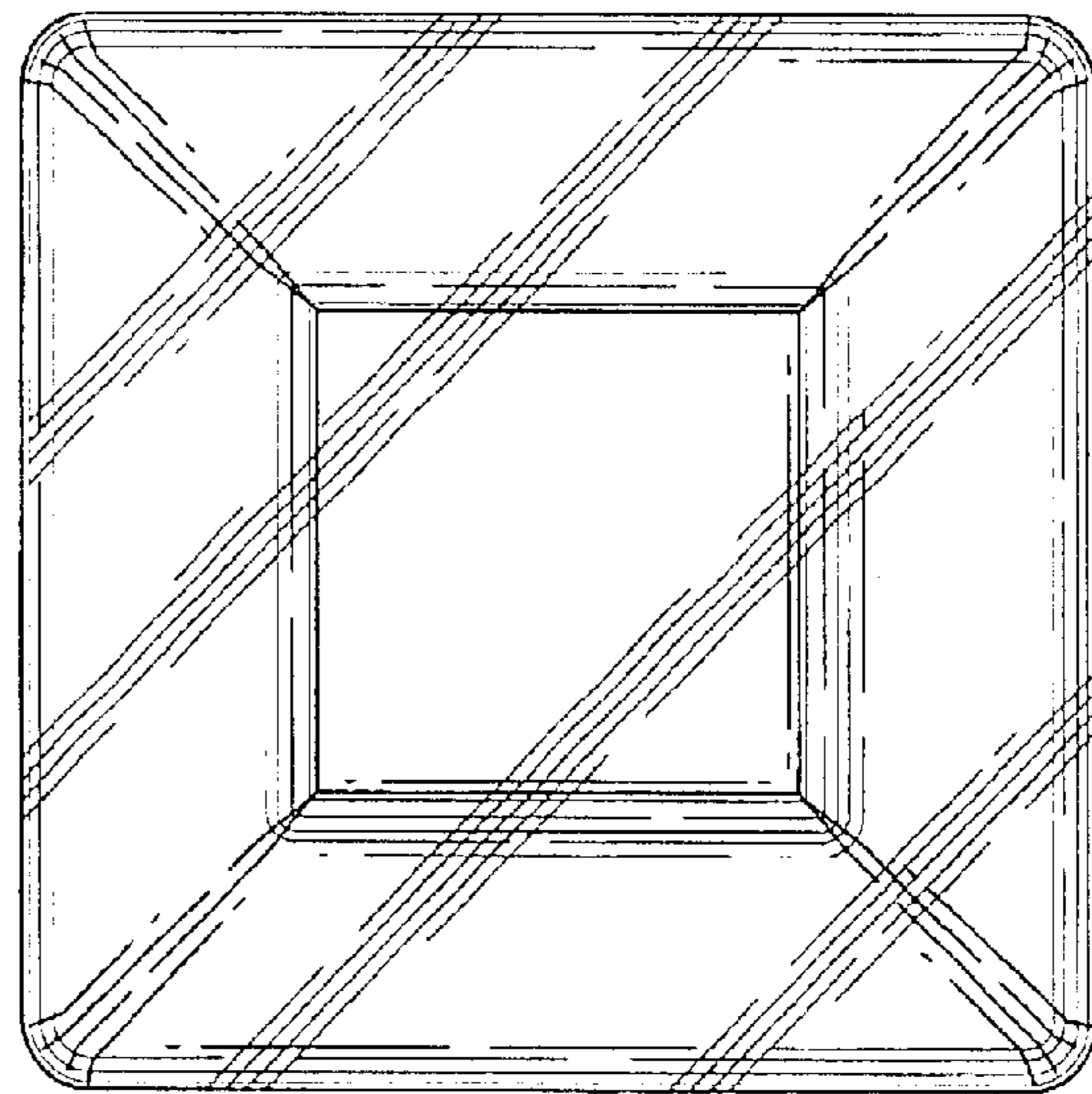


Fig. 3

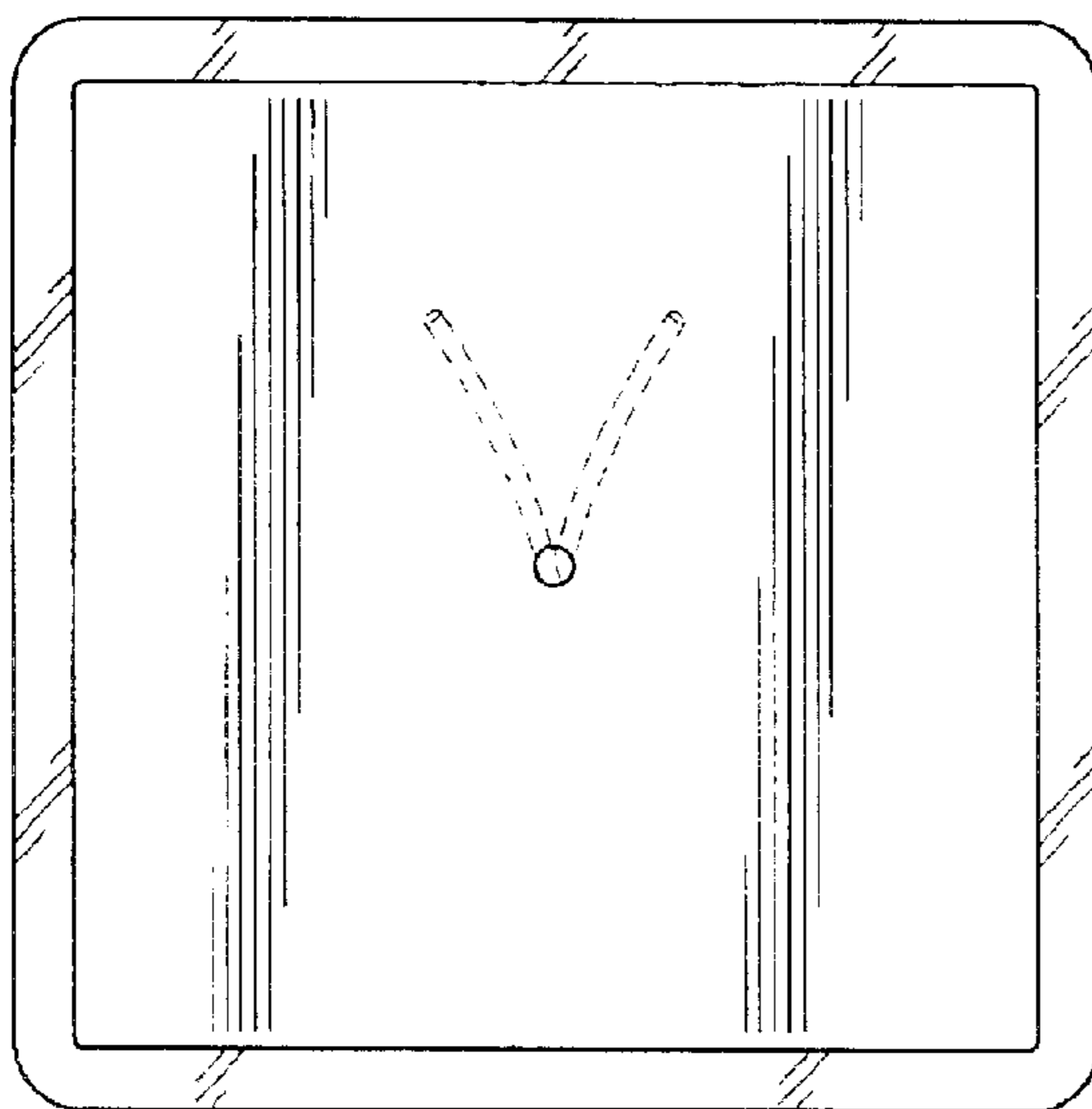


Fig. 4