



US00D499504S

(12) **United States Design Patent**
Meyer

(10) **Patent No.:** **US D499,504 S**

(45) **Date of Patent:** **** Dec. 7, 2004**

(54) **LIGHT FIXTURE**

(75) **Inventor:** **Mark Tracy Meyer**, Grand Haven, MI (US)

(73) **Assignee:** **Light Corp.**, Grand Haven, MI (US)

(**) **Term:** **14 Years**

(21) **Appl. No.:** **29/199,378**

(22) **Filed:** **Feb. 13, 2004**

(51) **LOC (7) Cl.** **26-03**

(52) **U.S. Cl.** **D26/76**

(58) **Field of Search** D26/72, 75-79;
362/217-225, 147, 404-408

(56) **References Cited**

U.S. PATENT DOCUMENTS

D128,380 S	*	7/1941	Masterson et al.	D26/77
2,619,583 A		11/1952	Baumgartner		
3,247,368 A		4/1966	McHugh		
4,435,744 A		3/1984	Russo		
4,674,015 A		6/1987	Smith		
4,814,954 A		3/1989	Spitz		
4,928,209 A		5/1990	Rodin		
5,062,030 A		10/1991	Figueroa		
5,111,370 A		5/1992	Clark		
5,192,129 A		3/1993	Figueroa		
5,473,522 A	*	12/1995	Kriz et al.	362/221
D387,461 S	*	12/1997	Schadt	D26/75

6,428,183 B1	*	8/2002	McAlpin	362/225
D463,059 S		9/2002	Verfuert		
6,450,668 B1	*	9/2002	Kotloff	362/269
D465,869 S	*	11/2002	Bodell	D26/78
6,585,396 B1		7/2003	Verfuert		
2003/0058640 A1	*	3/2003	McAlpin	362/225

* cited by examiner

Primary Examiner—Clare E Heflin

(74) *Attorney, Agent, or Firm*—Warner Norcross & Judd

(57) **CLAIM**

The ornamental design for the light fixture, as shown and described.

DESCRIPTION

FIG. 1 is a top perspective view of the light fixture embodying the new design;

FIG. 2 is a bottom perspective view thereof;

FIG. 3 is a front elevational view thereof;

FIG. 4 is a rear elevational view thereof;

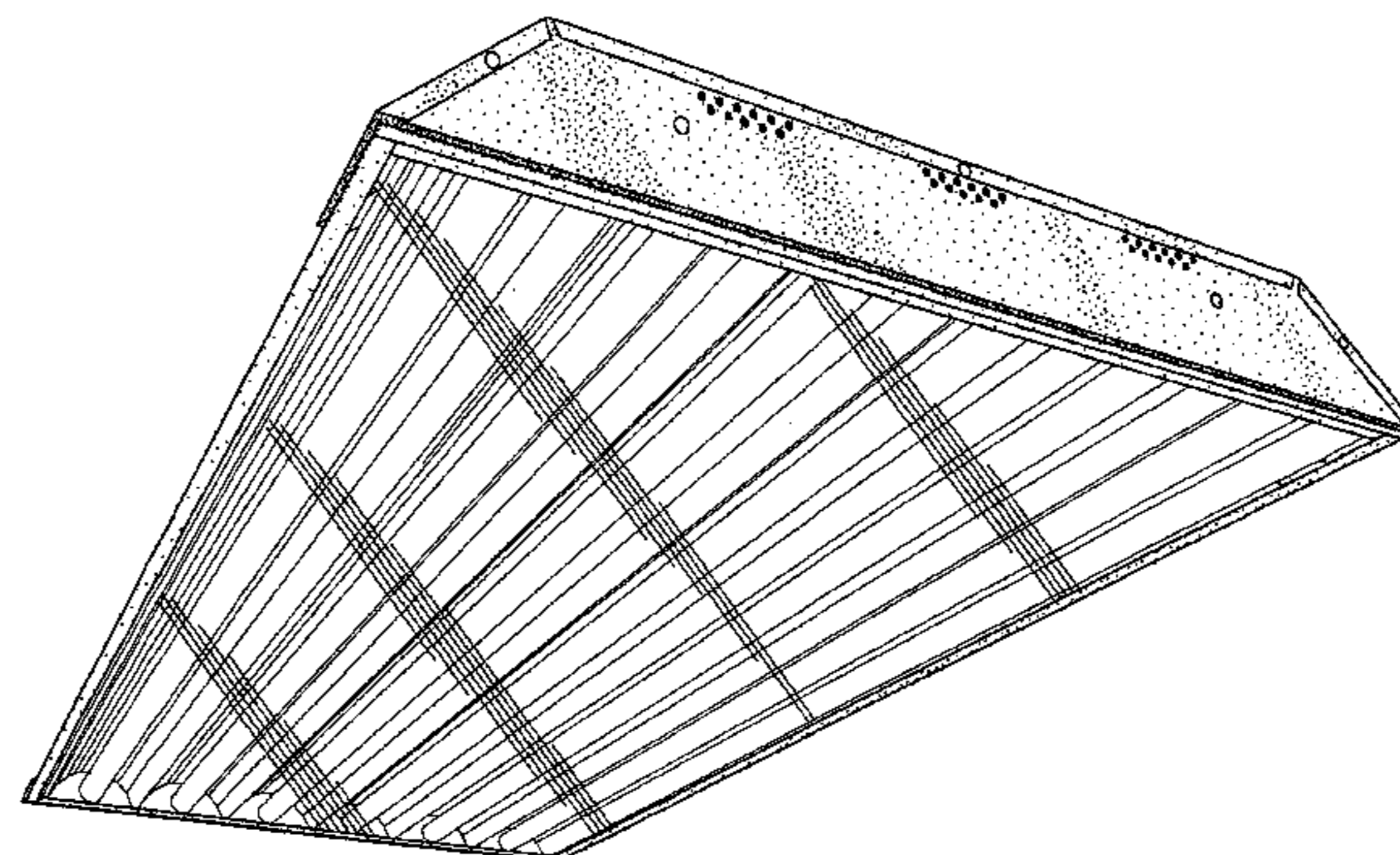
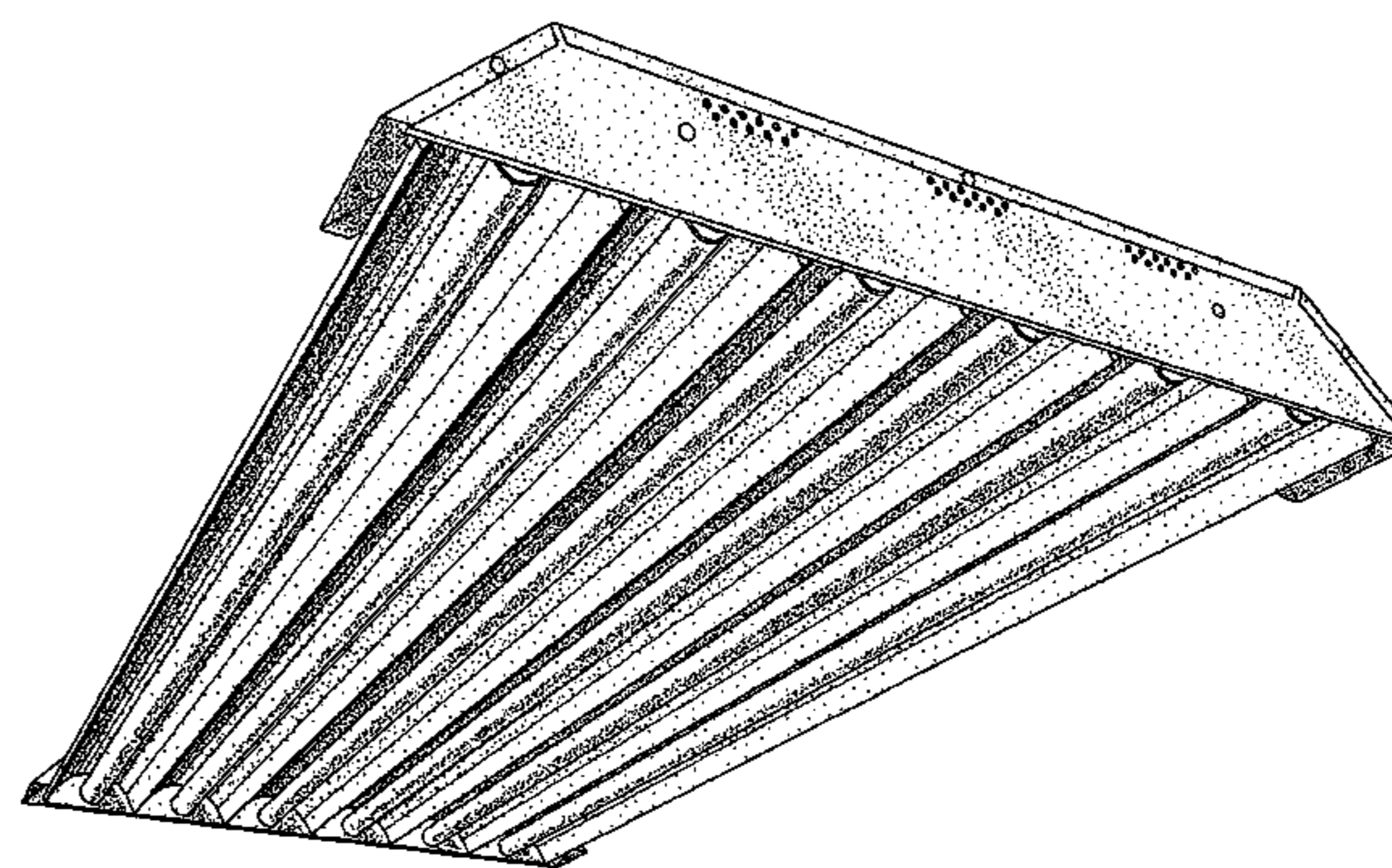
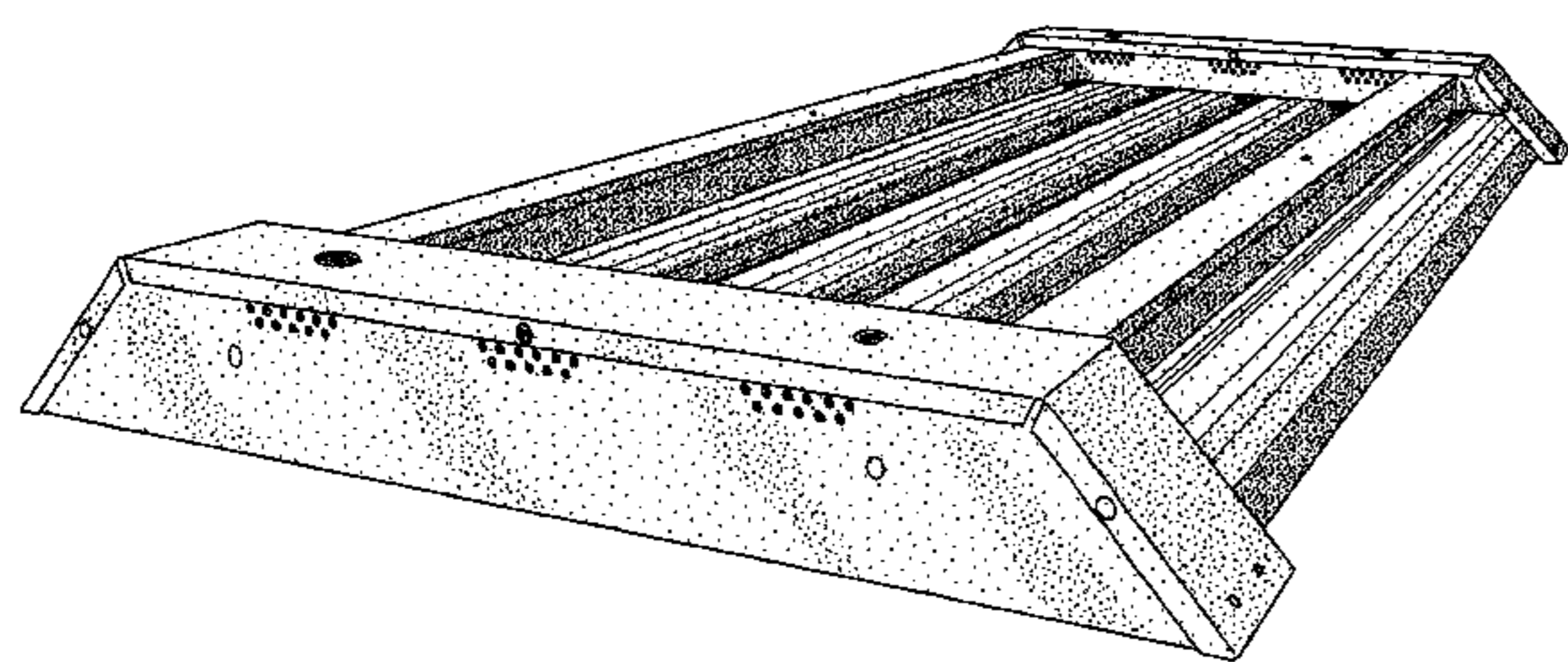
FIG. 5 is a left end elevational view thereof, the right end elevational view being identical thereto;

FIG. 6 is a top plan view thereof;

FIG. 7 is a bottom plan view thereof; and,

FIG. 8 is a bottom perspective view thereof, showing an alternative embodiment of the design which is substantially the same as FIG. 2, except for the addition of a lens.

1 Claim, 7 Drawing Sheets



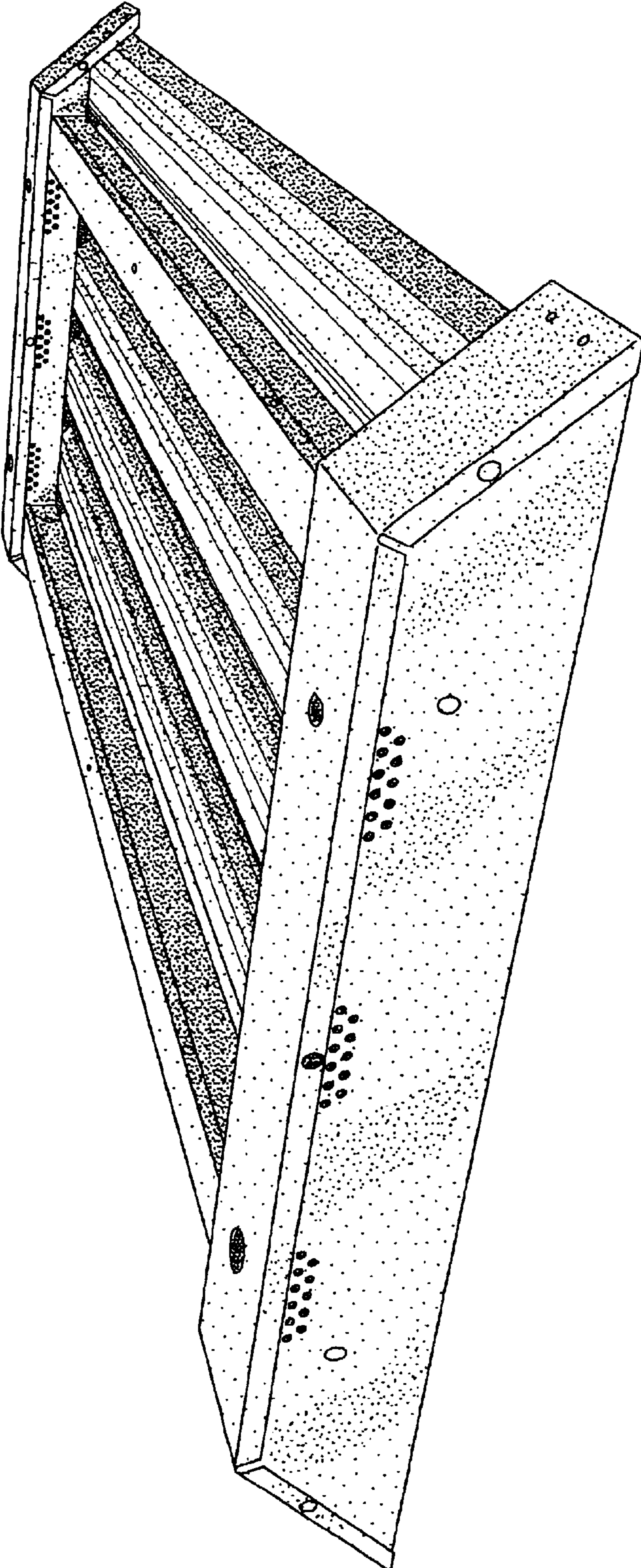


Fig. 1

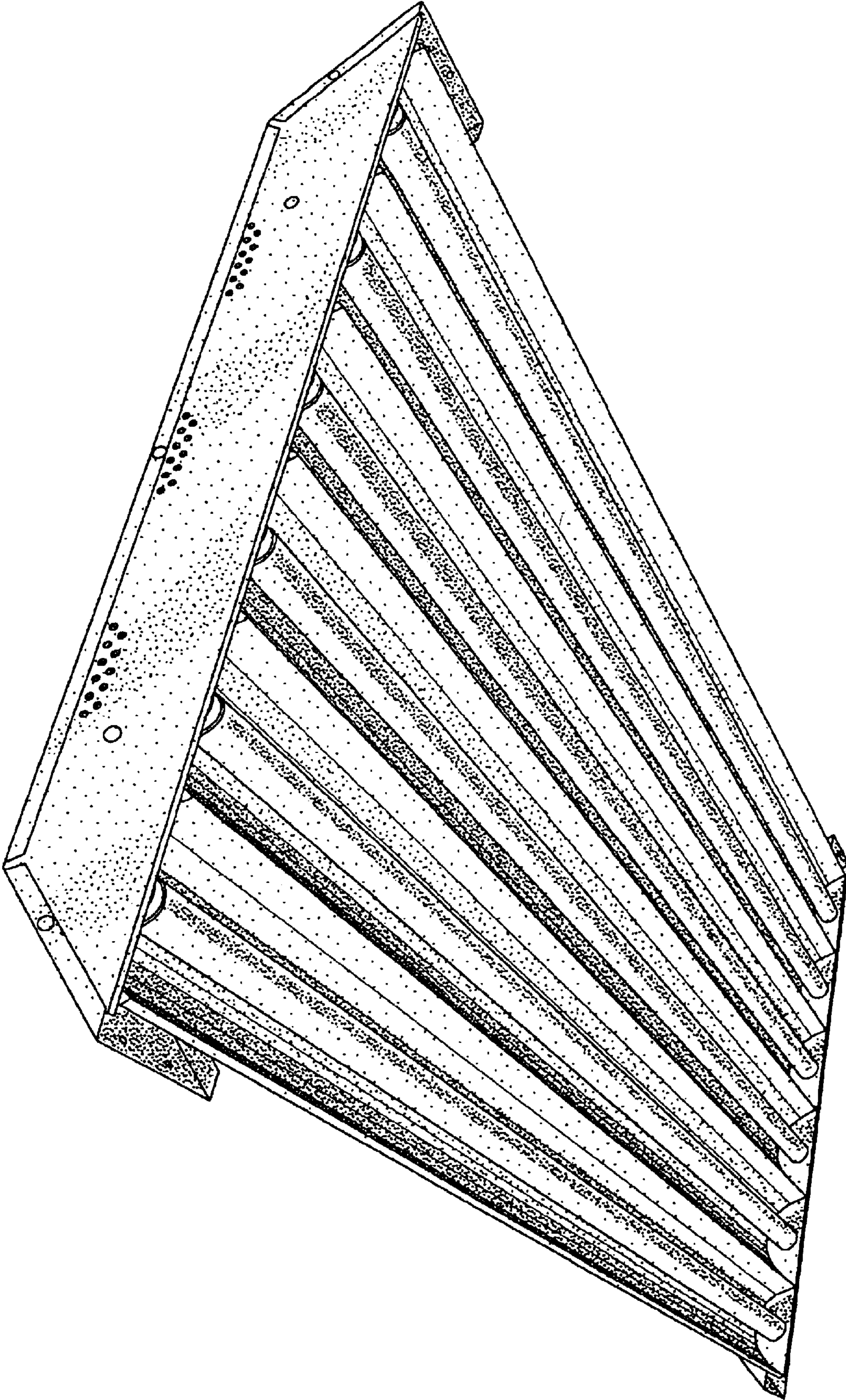


Fig. 2

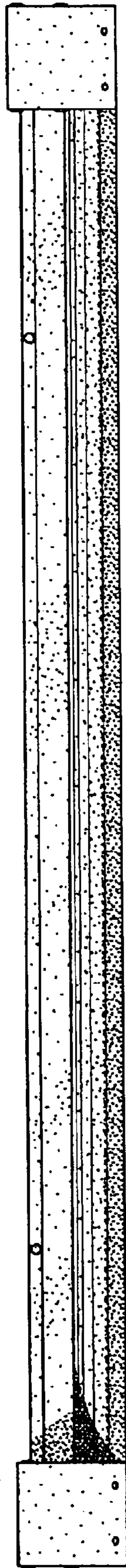


Fig. 3

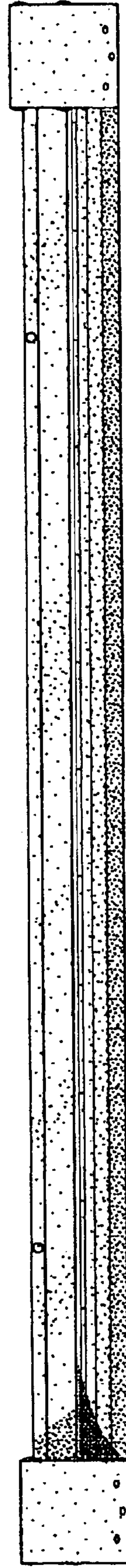


Fig. 4

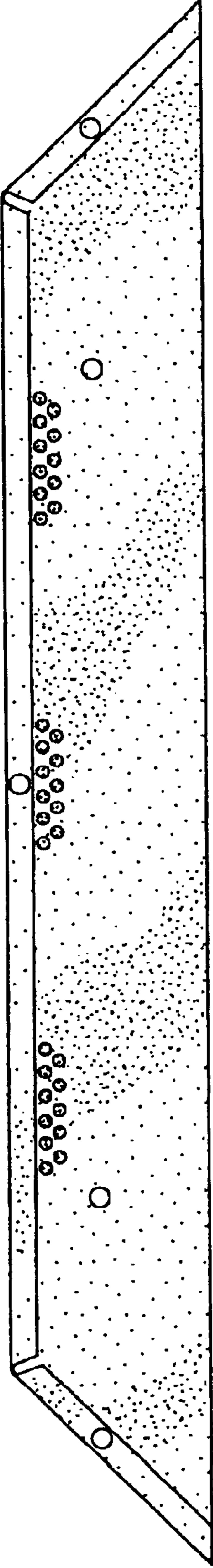


Fig. 5

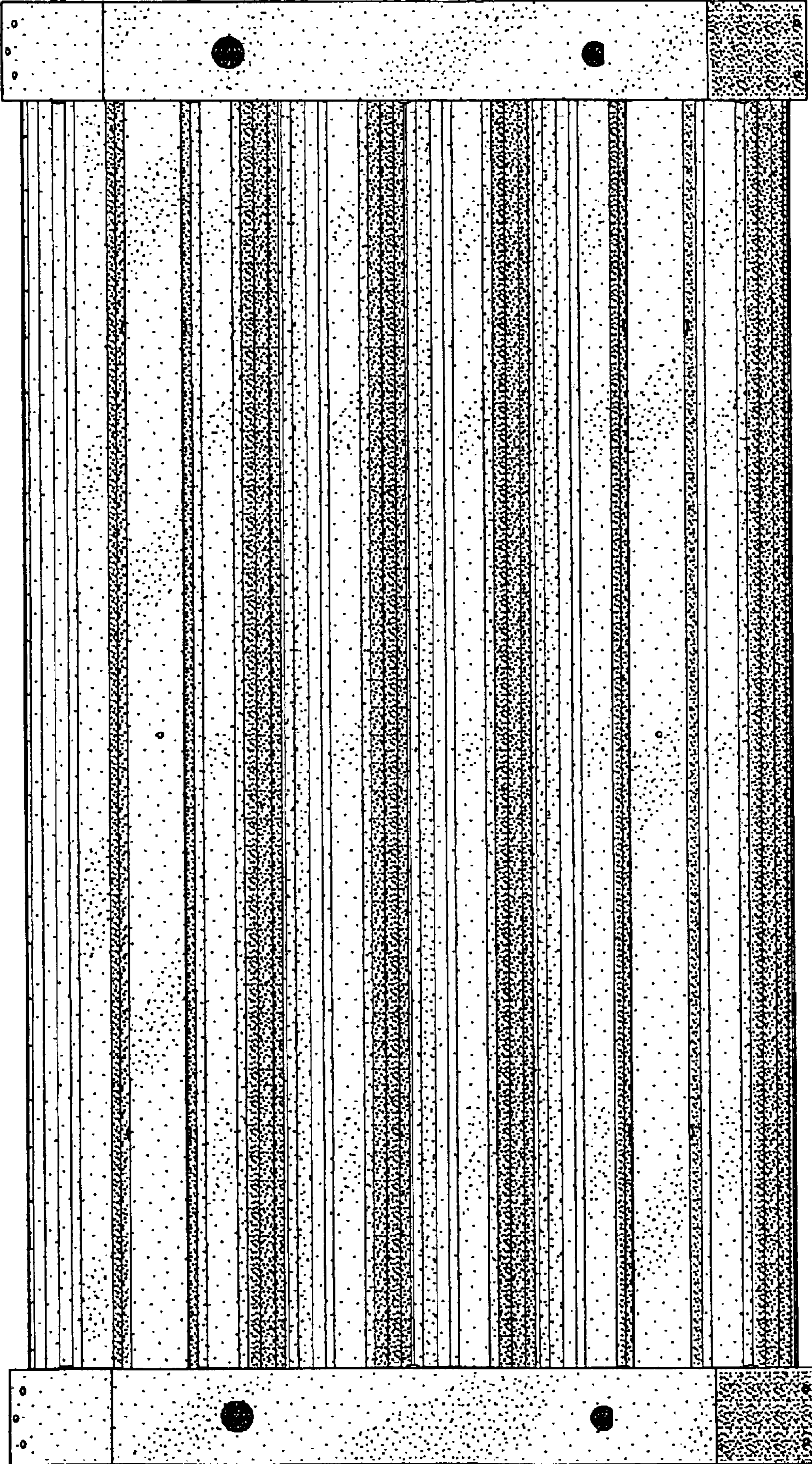


Fig. 6

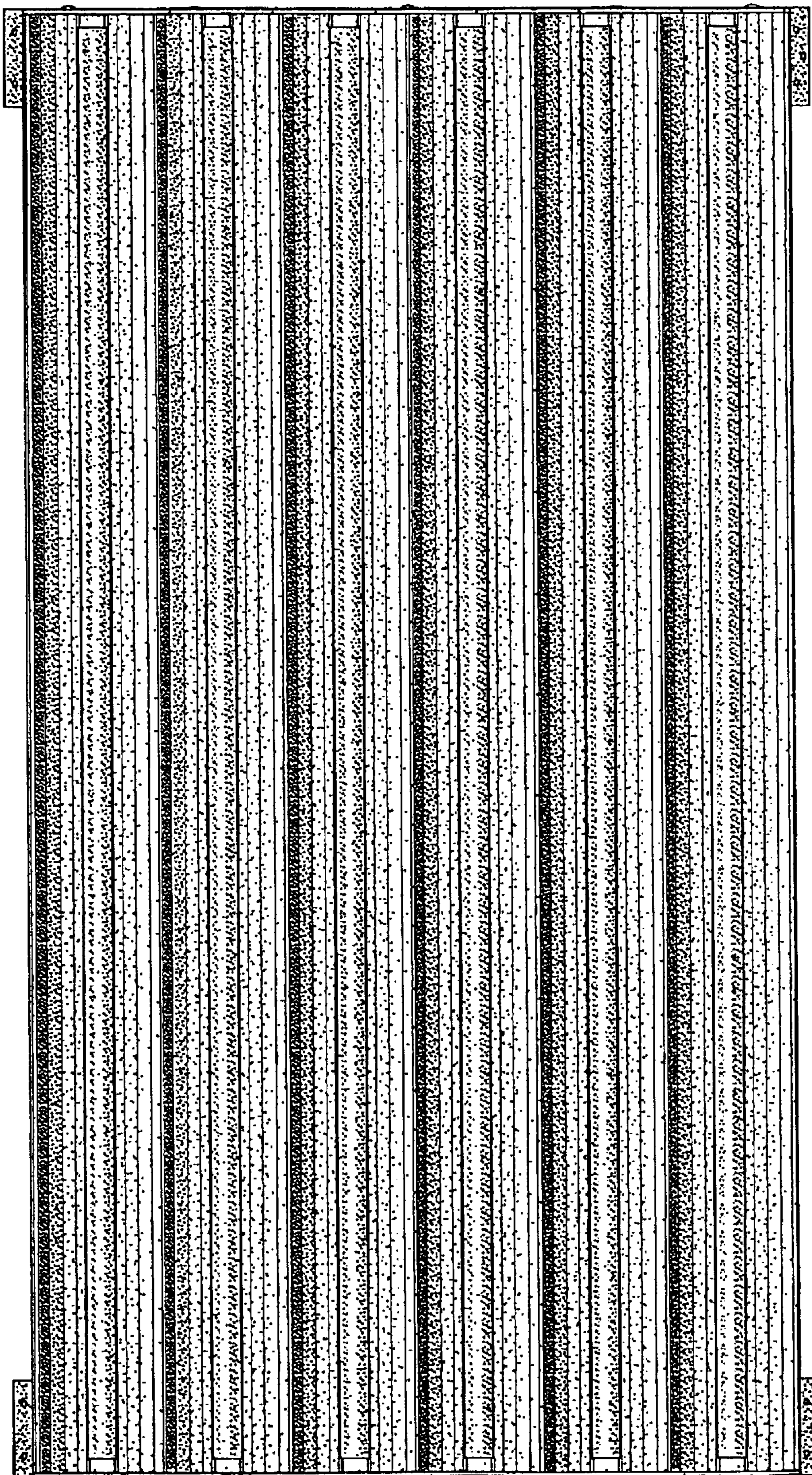


Fig. 7

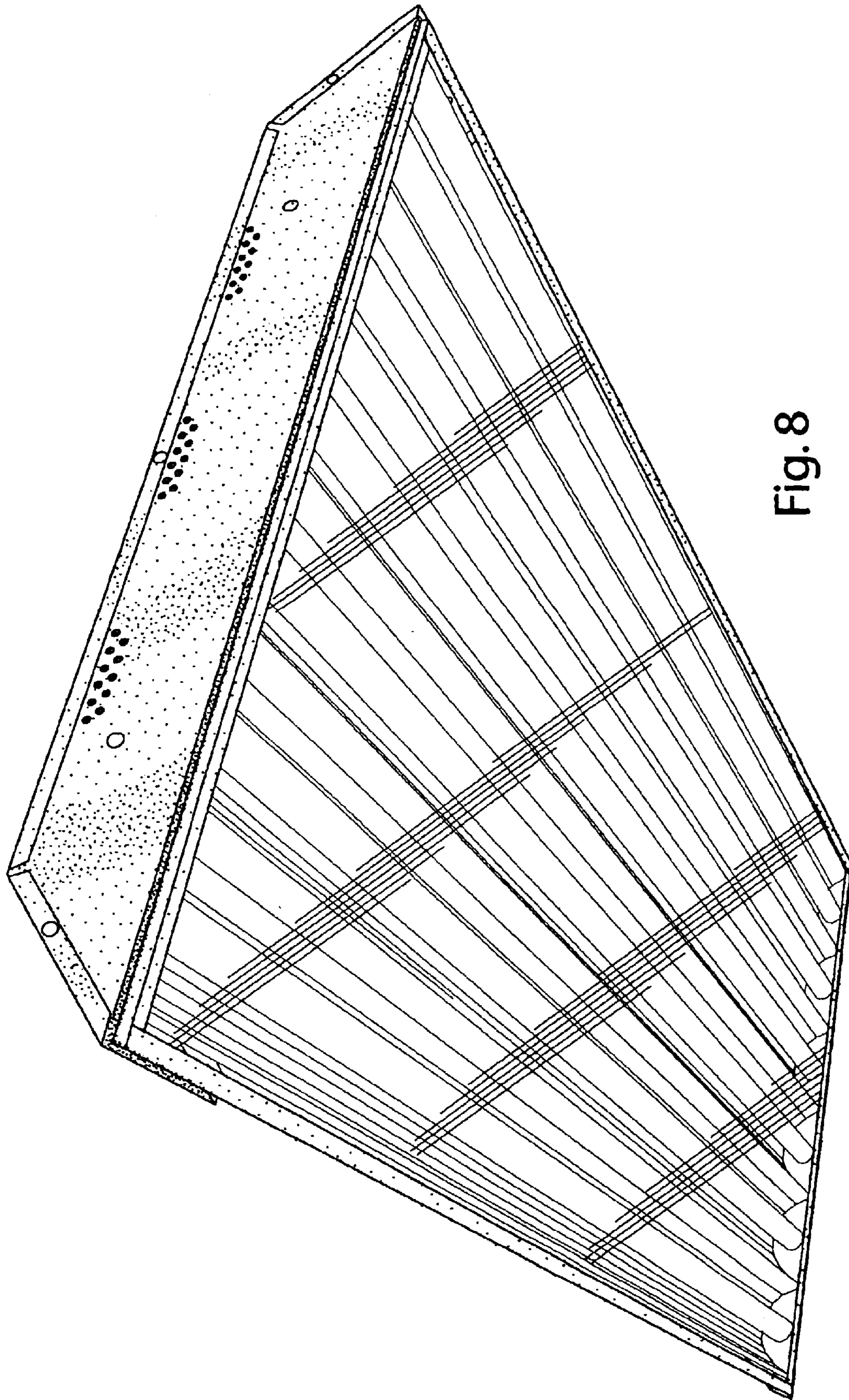


Fig. 8