



US00D499503S

(12) **United States Design Patent**
Hon et al.

(10) **Patent No.: US D499,503 S**
(45) **Date of Patent: ** Dec. 7, 2004**

(54) **SOLAR POWERED OUTDOOR LIGHT**

(75) Inventors: **Siu Cheong Hon**, Tseung Kwan O (HK); **Gary Mazurek**, Plano, TX (US)

(73) Assignee: **The Brinkman Corporation**, Dallas, TX (US)

(**) Term: **14 Years**

(21) Appl. No.: **29/182,368**

(22) Filed: **May 23, 2003**

(51) **LOC (7) Cl. 26-05**

(52) **U.S. Cl. D26/67**

(58) **Field of Search** D26/67-72, 87,
D26/92, 118; 362/152, 153, 153.1, 159,
183, 266, 363, 431, 432

(56) **References Cited**

U.S. PATENT DOCUMENTS

D63,263 S	11/1923	Mohrmann	
D191,534 S	* 10/1961	Curtis et al.	D26/67
D195,990 S	* 8/1963	Pettengill	D26/67
D216,750 S	* 3/1970	Kiele	D26/68
D360,048 S	7/1995	Messina, Jr.	D26/67
D458,702 S	6/2002	Ellis	D26/68
D461,578 S	8/2002	Cheong	D26/67
D468,043 S	* 12/2002	Krieger et al.	D26/67
D475,797 S	6/2003	Cheong	D26/37

OTHER PUBLICATIONS

Kichler "Mission" Model: K-9941 ; Post Mounted. Found online at www.lightingshowplace.com on Aug. 24, 2004.*
Canyon View Collection Post Light #82636. Found online at www.lampsplus.com on Aug. 24, 2004.*

Rockscapes, Inc. Sales Illumination catalog Nov. 25, 1996, 3 pages.

Design House Lighting catalog Aug. 15, 1995, p. 116.

Three pages from catalogs and brochures, title and date unknown.

* cited by examiner

Primary Examiner—Clare E Heflin

(74) *Attorney, Agent, or Firm*—Sheppard, Mullin, Richter & Hampton LLP

(57) **CLAIM**

We claim the ornamental design for a solar powered outdoor light, as shown and described.

DESCRIPTION

FIG. 1 is a perspective view viewed from above of a solar powered outdoor light showing the new design;

FIG. 2 is a perspective view viewed from below of a solar powered outdoor light showing the new design;

FIG. 3 is a front elevational view thereof;

FIG. 4 is a left side elevational view thereof,

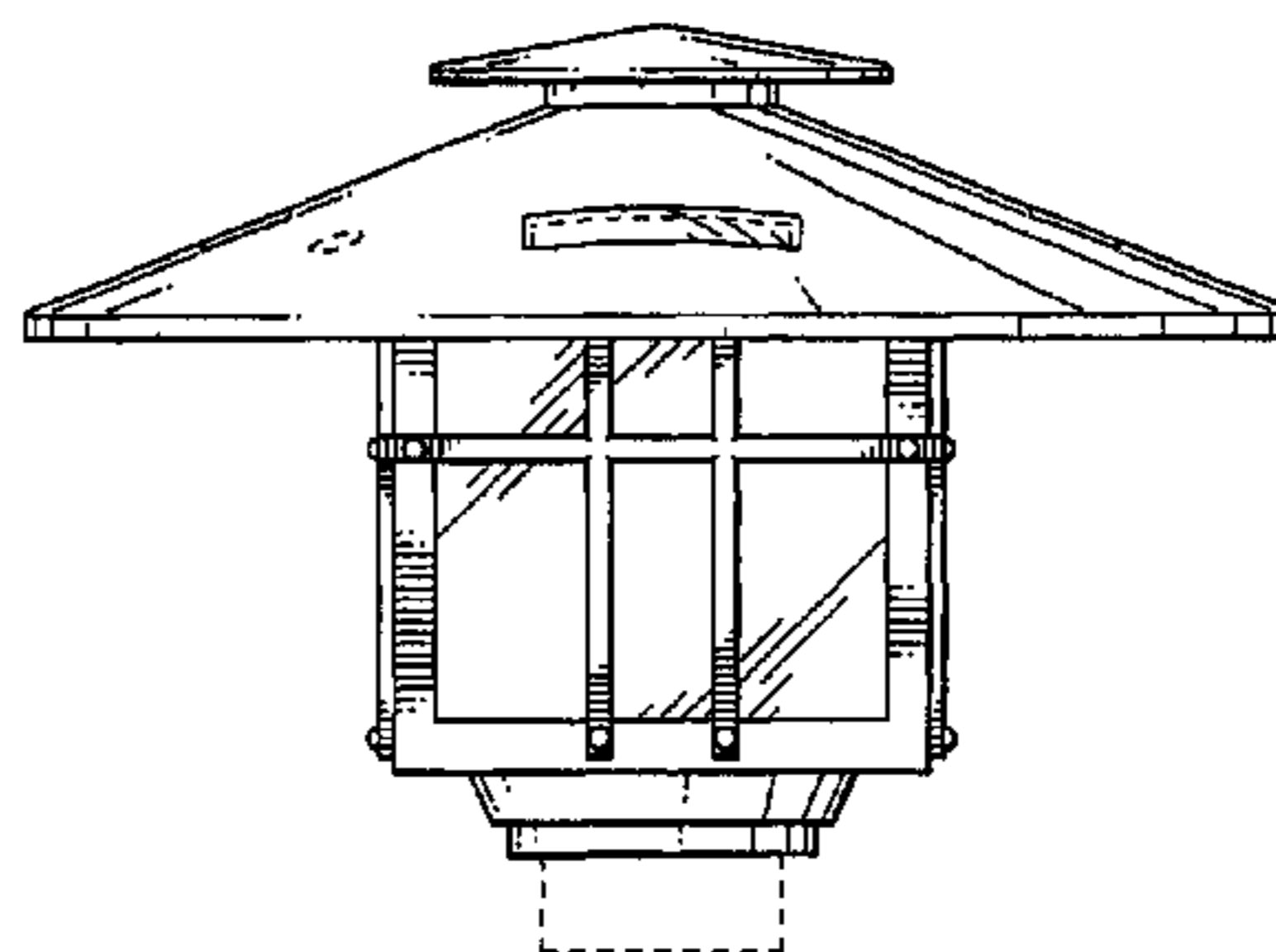
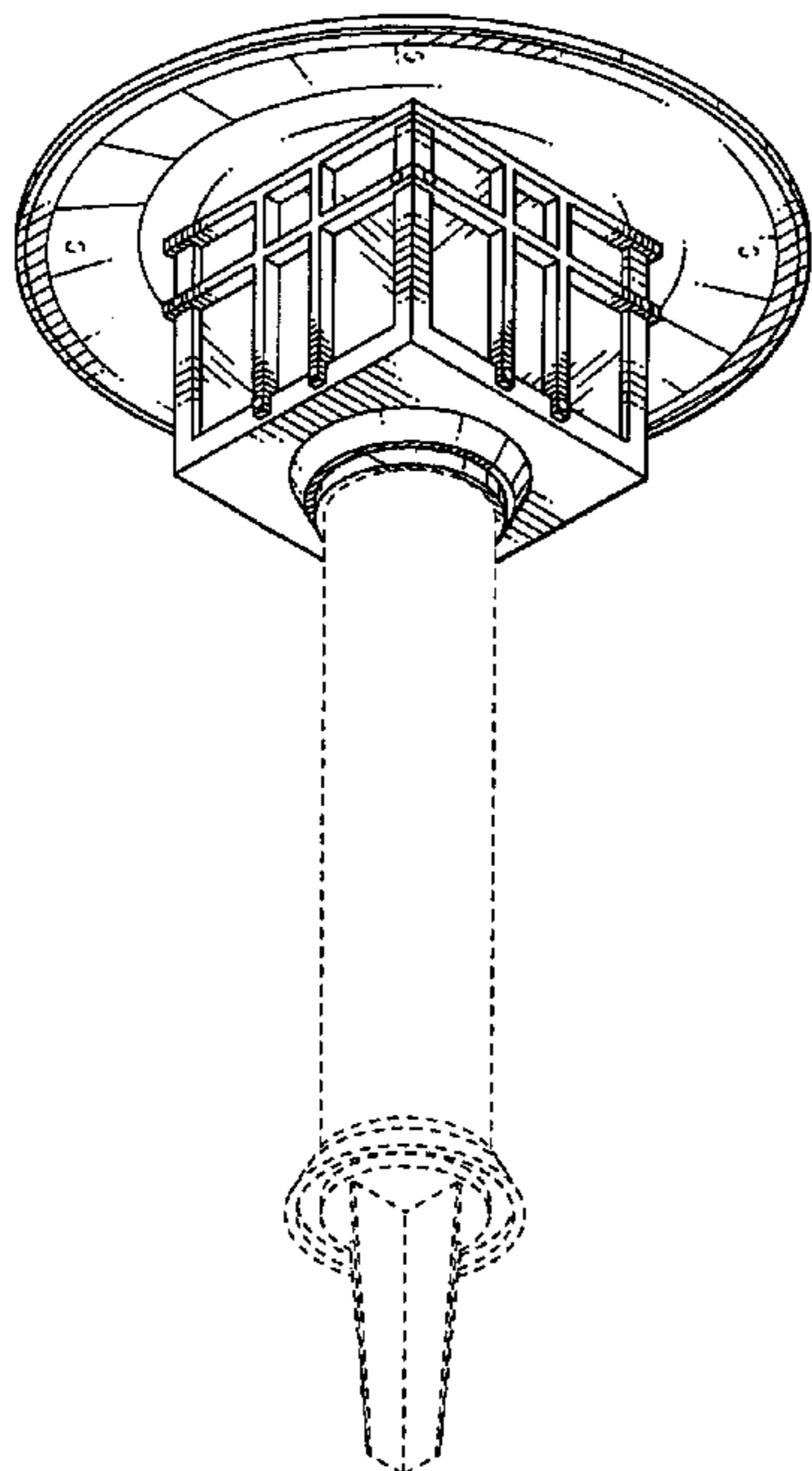
FIG. 5 is a right side elevational view thereof, the rear elevational view being an identical image thereof;

FIG. 6 is a top plan view thereof; and,

FIG. 7 is a bottom plan view thereof.

The dotted lines are for illustrative purposes only and form no part of the claimed design.

1 Claim, 7 Drawing Sheets



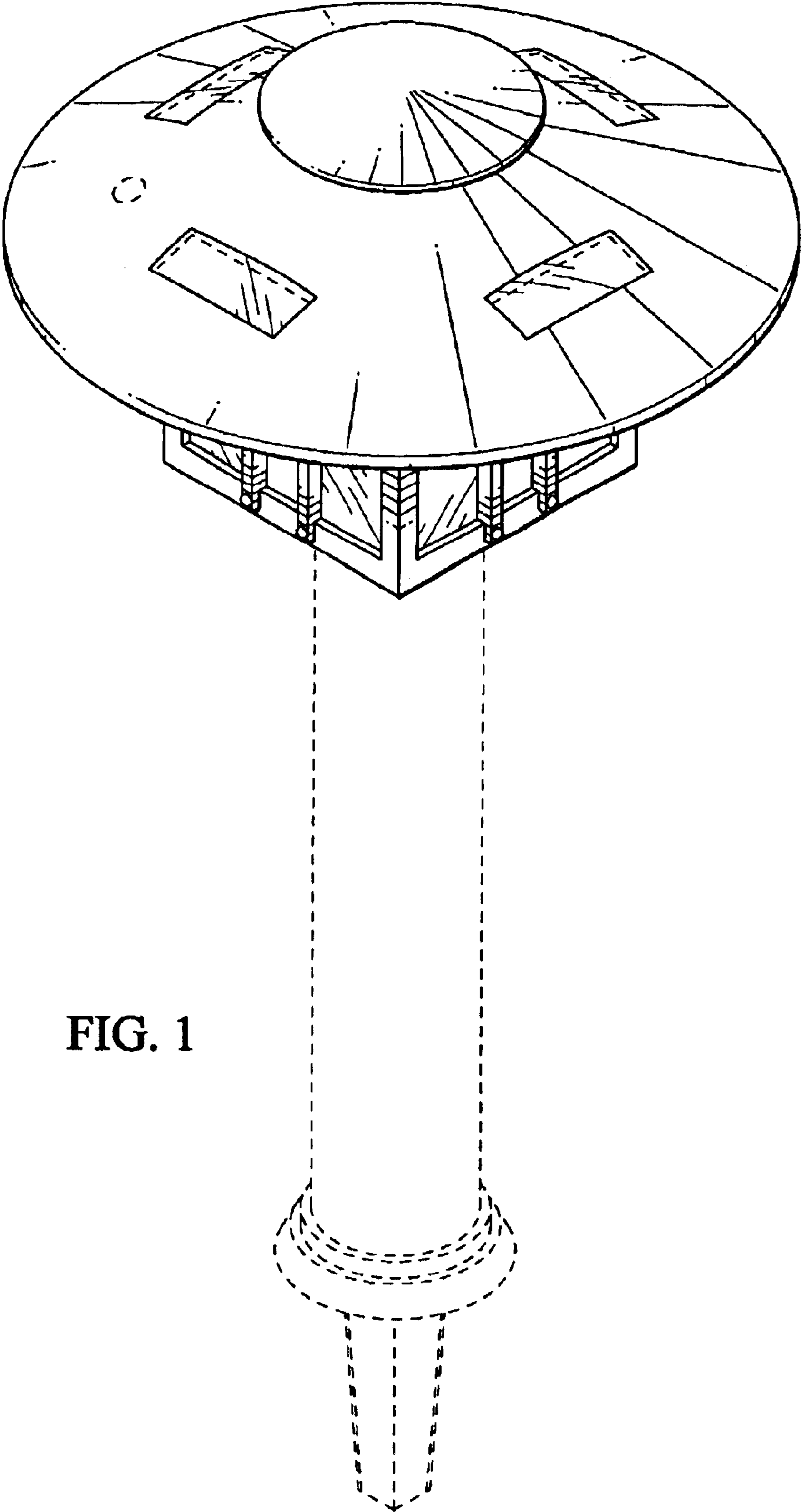


FIG. 1

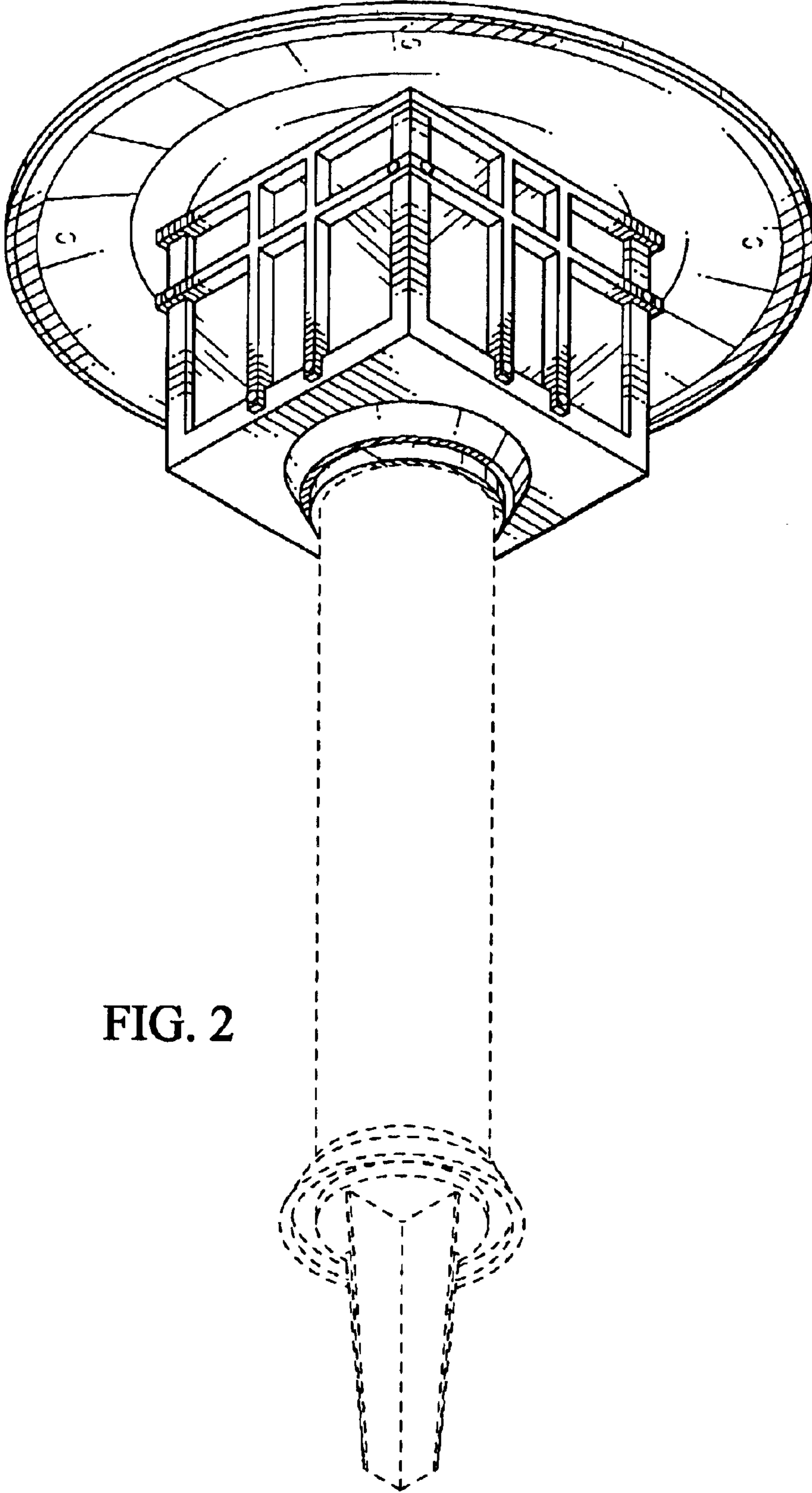


FIG. 2

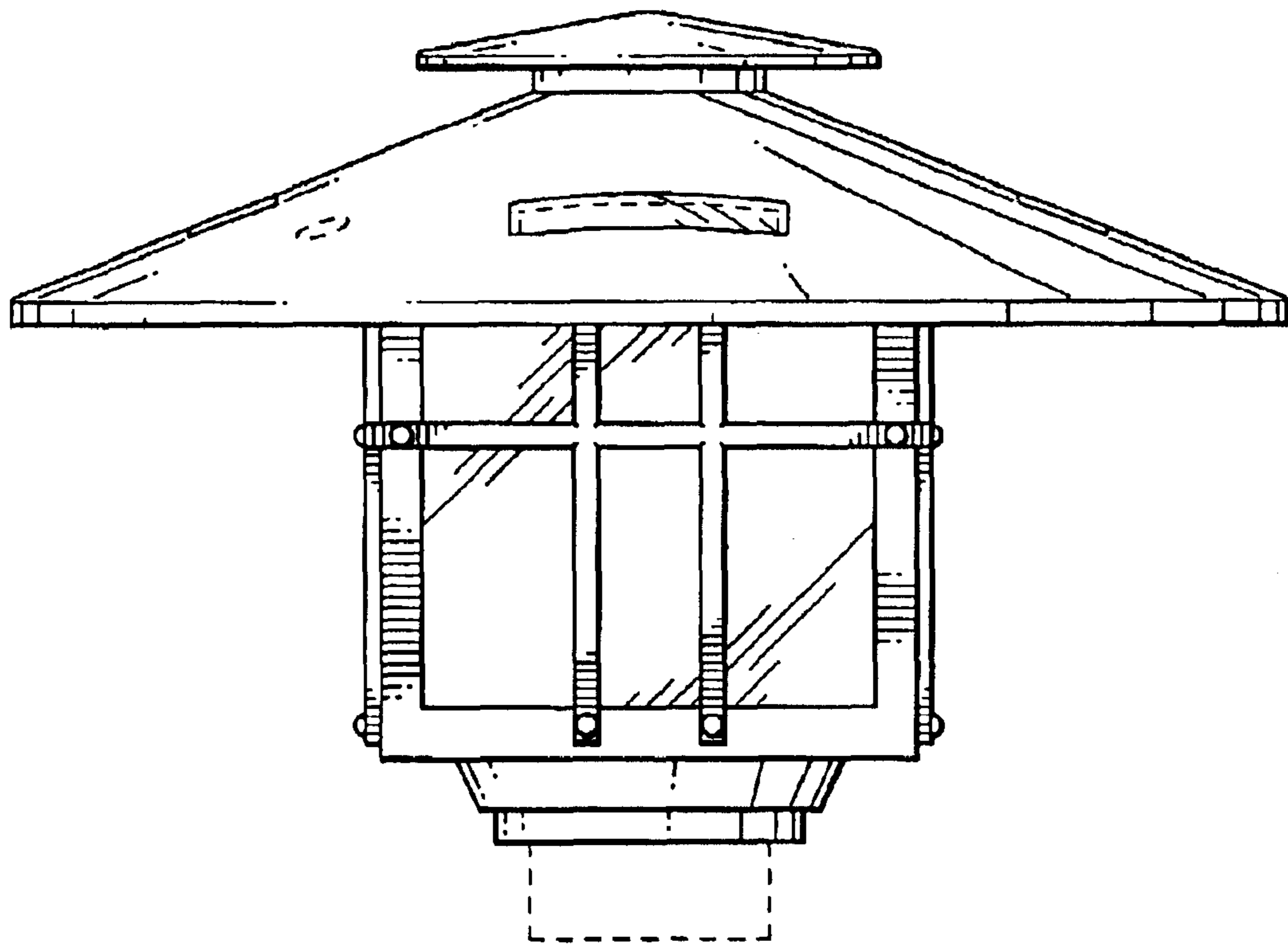


FIG. 3

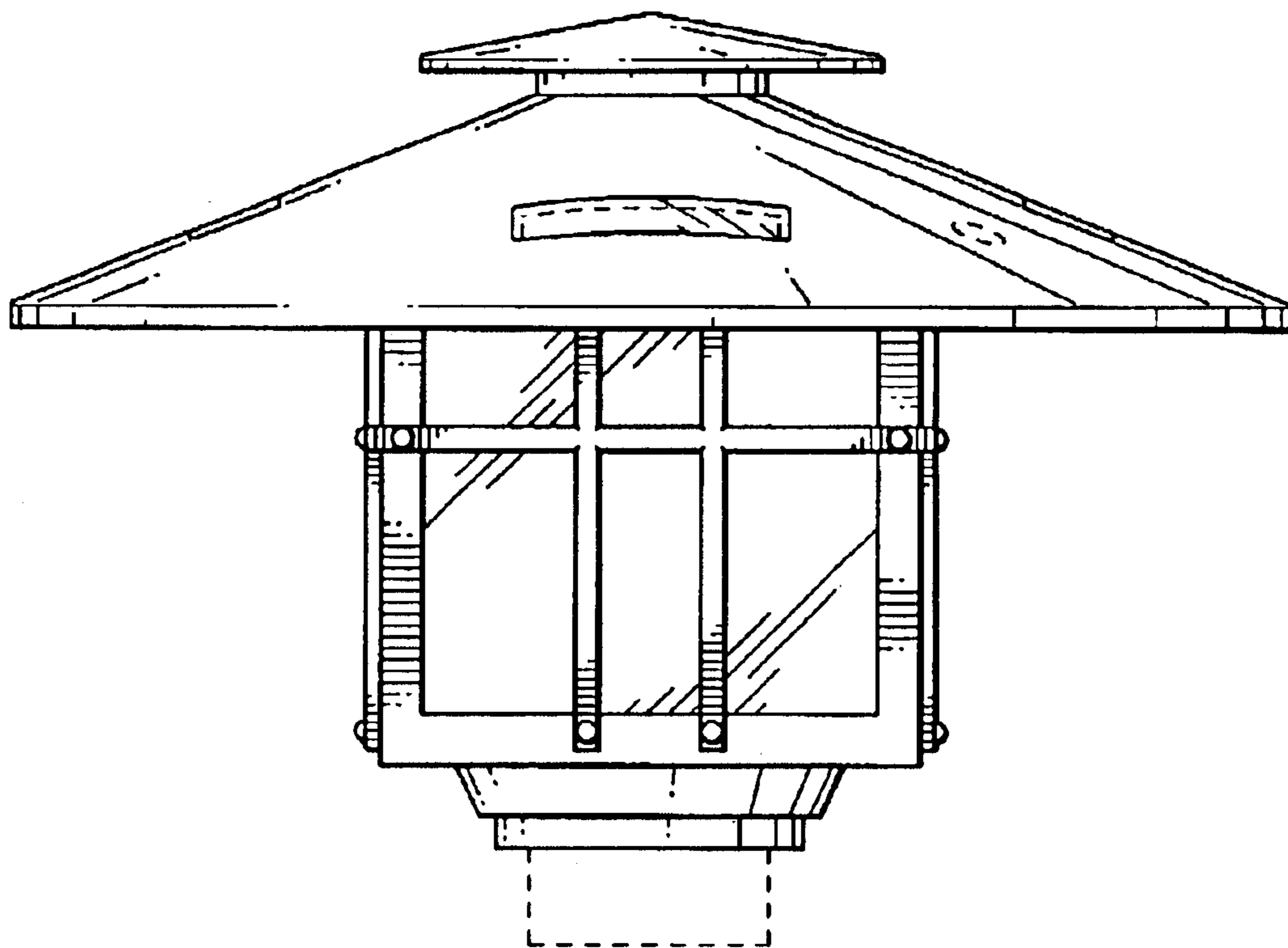


FIG. 4

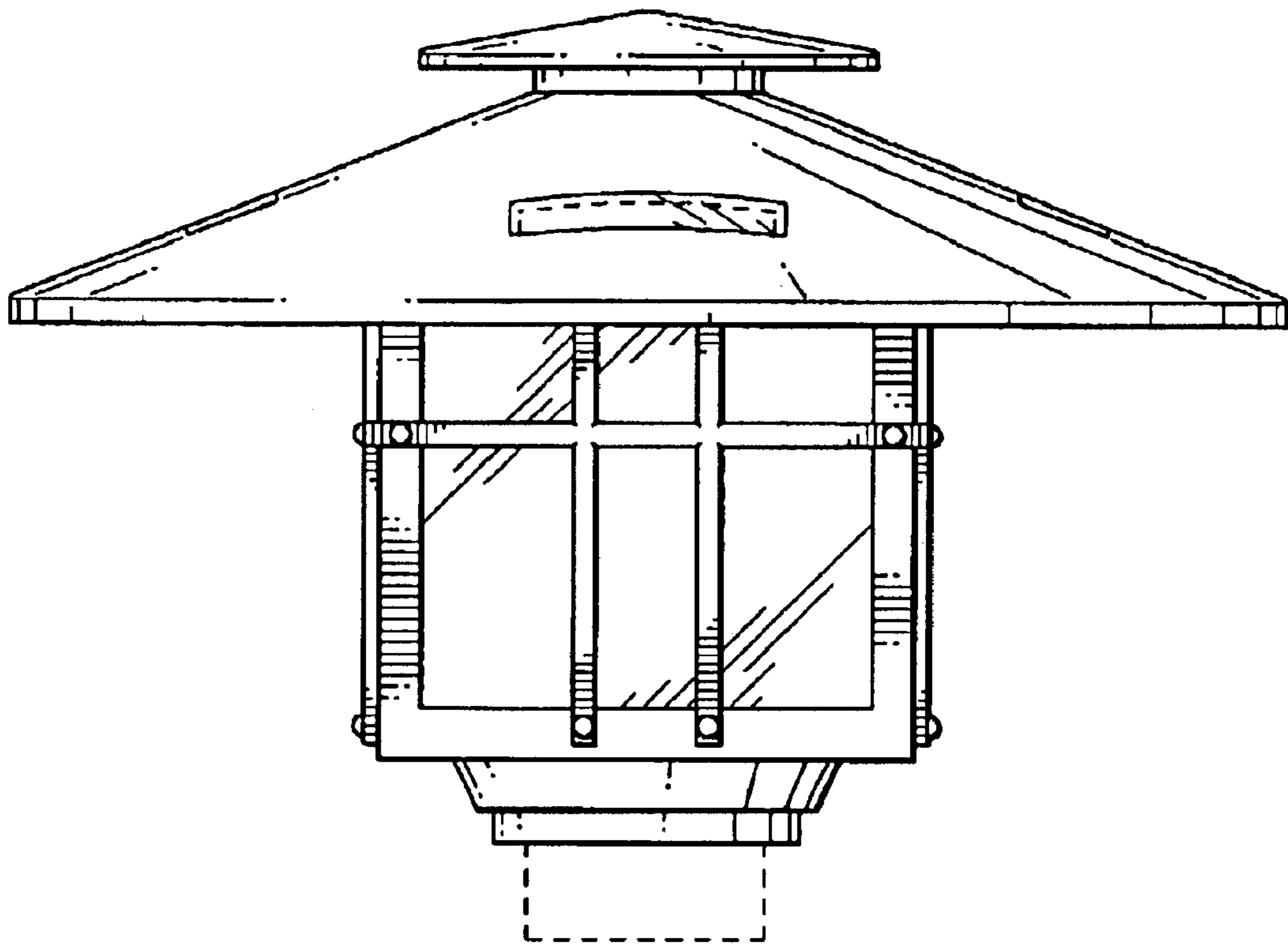


FIG. 5

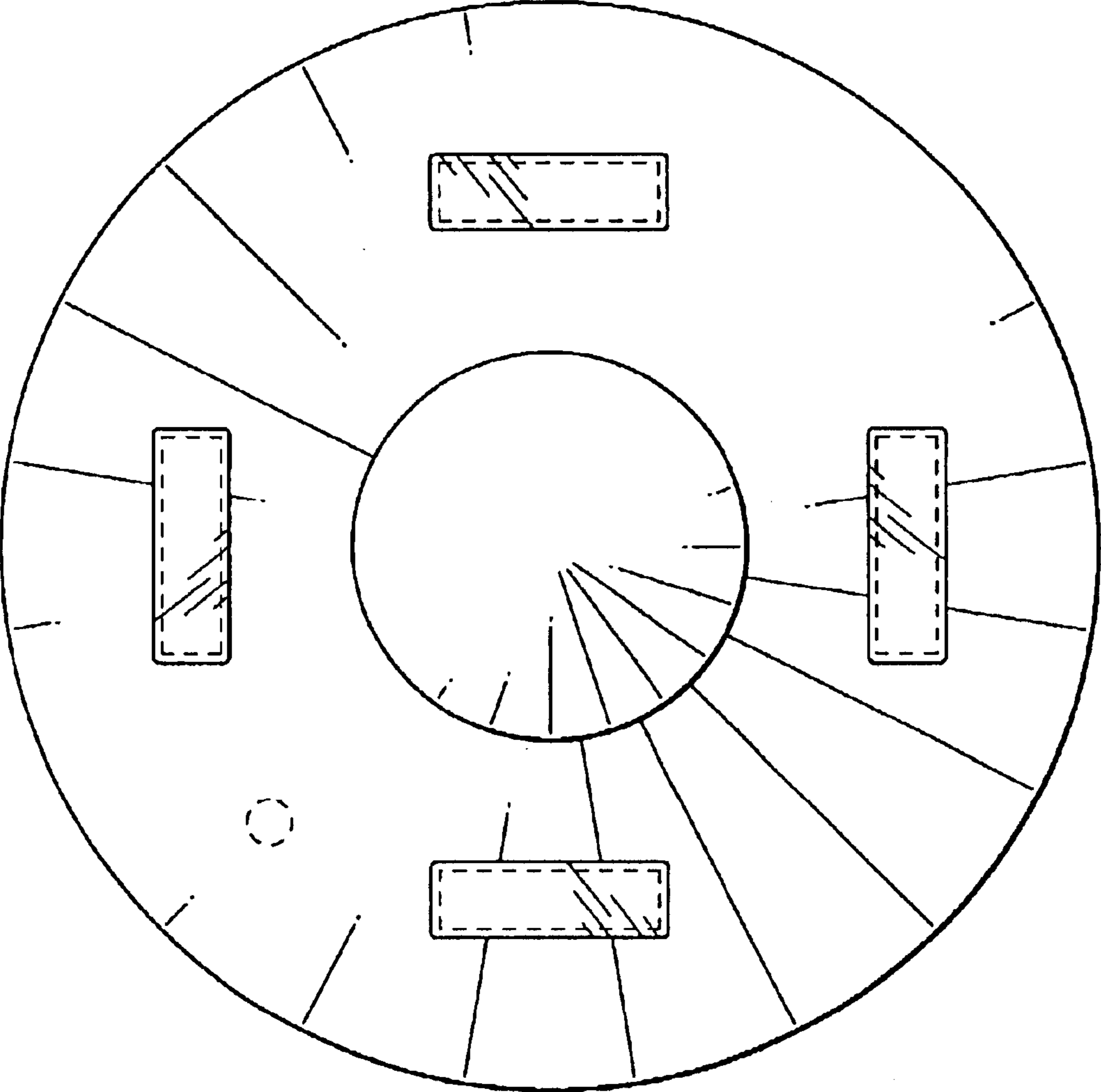


FIG. 6

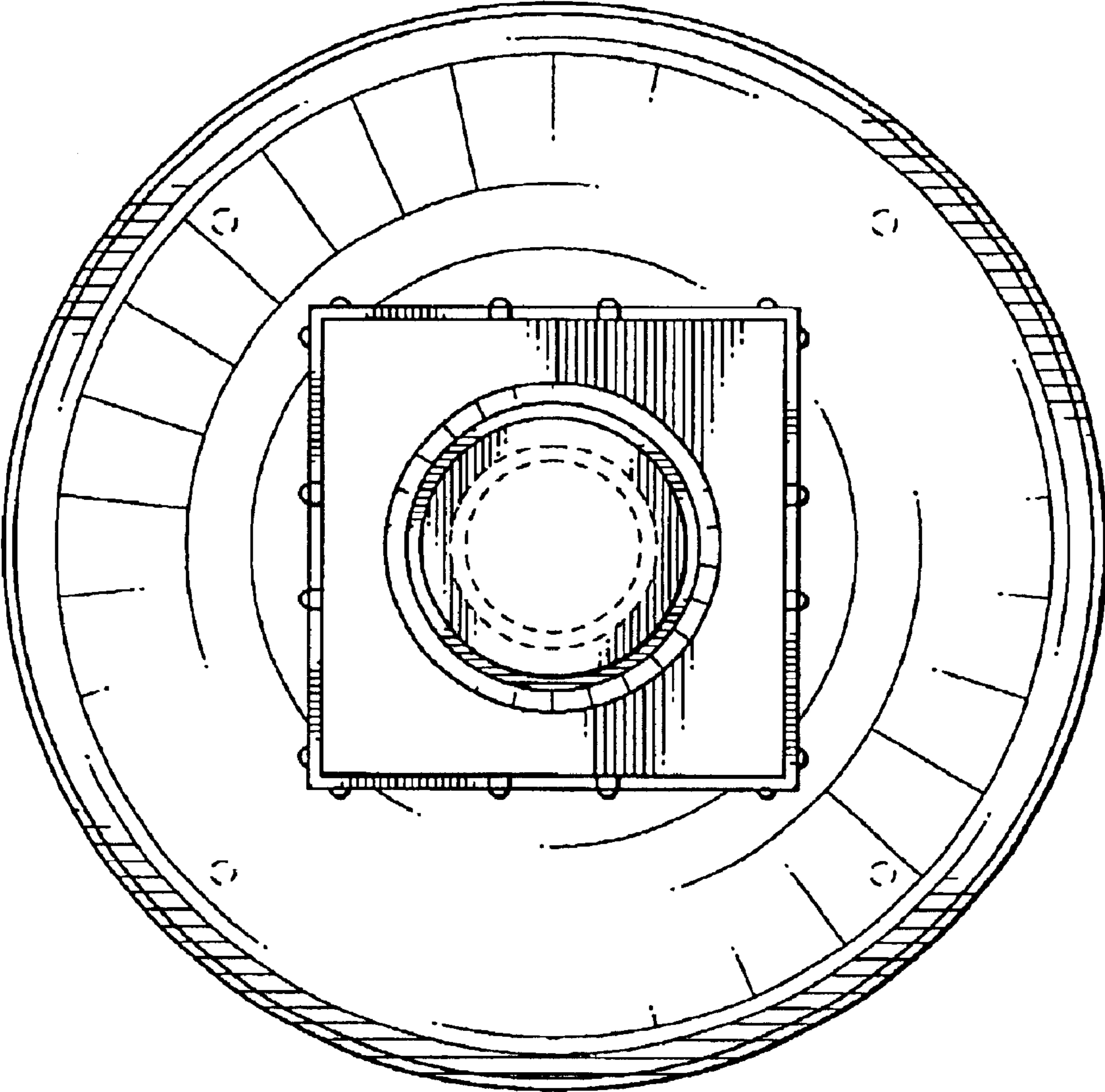


FIG. 7

UNITED STATES PATENT AND TRADEMARK OFFICE
CERTIFICATE OF CORRECTION

PATENT NO. : Des. 499,503 S
DATED : December 7, 2004
INVENTOR(S) : Siu Cheong Hon et al.

Page 1 of 1

It is certified that error appears in the above-identified patent and that said Letters Patent is hereby corrected as shown below:

Title page,

Item [73], Assignee, correct "**The Brinkman Corporation**" to -- **The Brinkmann Corporation** --

Signed and Sealed this

Thirty-first Day of May, 2005

A handwritten signature in black ink on a dotted background. The signature reads "Jon W. Dudas" in a cursive style.

JON W. DUDAS

Director of the United States Patent and Trademark Office