



US00D499502S

(12) **United States Design Patent**
Kelley

(10) **Patent No.:** **US D499,502 S**
(45) **Date of Patent:** **** Dec. 7, 2004**

(54) **GARDEN LIGHT**

(76) **Inventor:** **Martin H. Kelley**, 4817 Brayton Pl.,
Los Angeles, CA (US) 90041

(**) **Term:** **14 Years**

(21) **Appl. No.:** **29/171,756**

(22) **Filed:** **Nov. 27, 2002**

(51) **LOC (7) Cl.** **26-05**

(52) **U.S. Cl.** **D26/67**

(58) **Field of Search** D26/24, 61-71,
D26/72, 80-92; 362/147, 431, 432

(56) **References Cited**

U.S. PATENT DOCUMENTS

D204,791 S	*	5/1966	Schwartz	D26/63
D207,866 S	*	6/1967	de Vos	D26/63
D234,221 S	*	1/1975	Upchurch	D26/62
D234,712 S	*	4/1975	Kennedy et al.	D26/63
D264,386 S	*	5/1982	Heritage et al.	D26/63
D277,511 S	*	2/1985	Patel	D26/68
D283,054 S	*	3/1986	Altman	D26/24
D286,682 S	*	11/1986	Greenlee	D26/63
4,870,548 A	*	9/1989	Beachy et al.	362/145
D361,148 S	*	8/1995	Wedell	D26/63
D383,236 S	*	9/1997	Krogman	D26/63

OTHER PUBLICATIONS

CENS Lighting Oct. 2002; p. 129; items SH-6B-1; KU-L1 and SH-5A.*

CENS Lighting Oct. 2002; □□Kuzco Lighting's garden Light #KU-L1 on p. 129.*

* cited by examiner

Primary Examiner—Clare E Heflin

(74) *Attorney, Agent, or Firm*—Christie, Parker & Hale, LLP

(57) **CLAIM**

The ornamental design for a garden light, as shown and described.

DESCRIPTION

FIG. 1 is a top plan view of a garden light embodying my new design invention;

FIG. 2 is a rear elevation view of the light shown in FIG. 1;

FIG. 3 is a bottom plan view of the light shown in FIG. 1;

FIG. 4 is a right side elevation view of the light shown in FIG. 1, a left side elevation view thereof being a mirror image of FIG. 4; and,

FIG. 5 is a front elevation view of the light shown in FIG. 1.

In the drawing figures, the broken lines are shown for illustrative purposes only and the mounting stake is shown broken-away to depict indeterminate length.

1 Claim, 5 Drawing Sheets

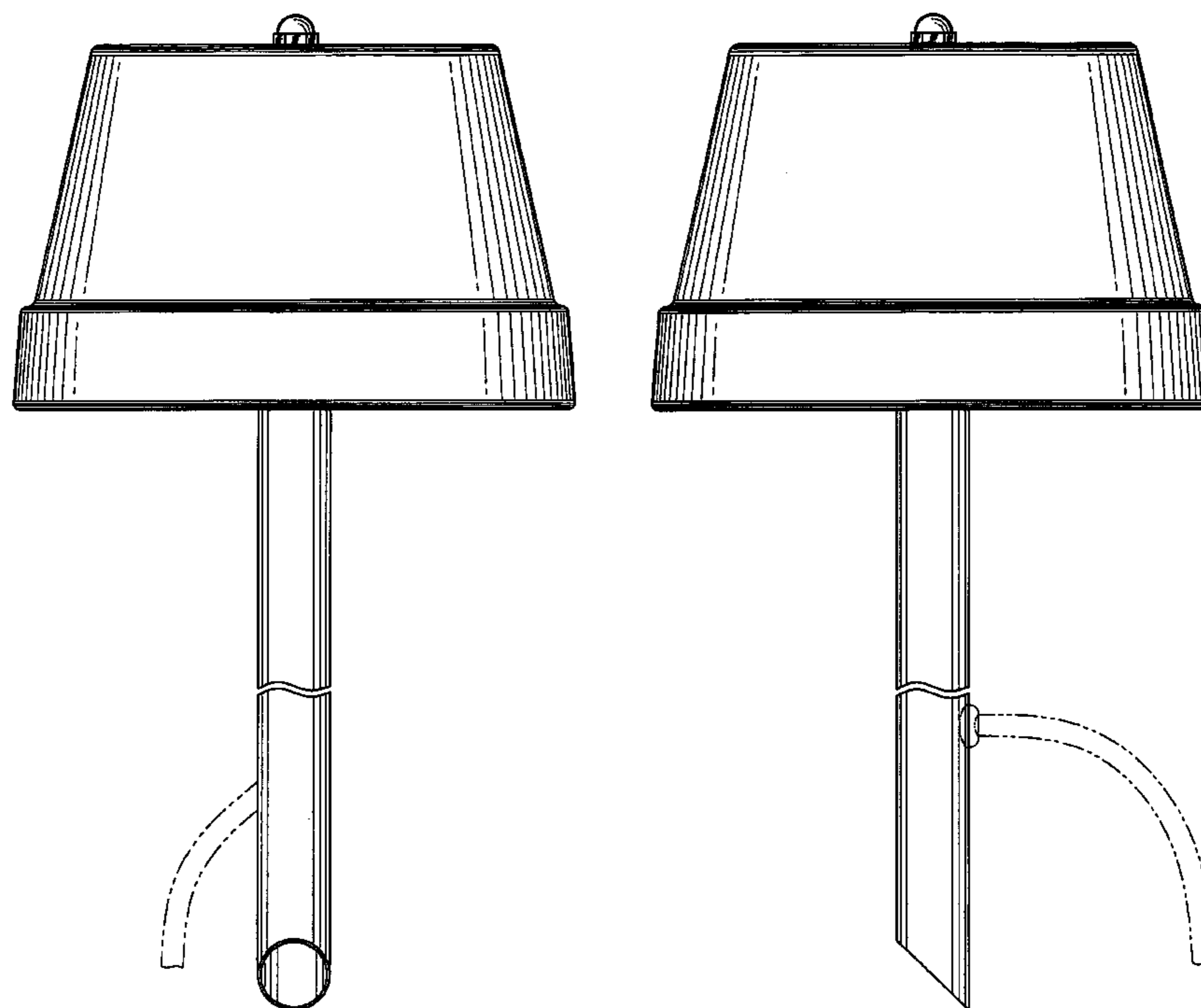
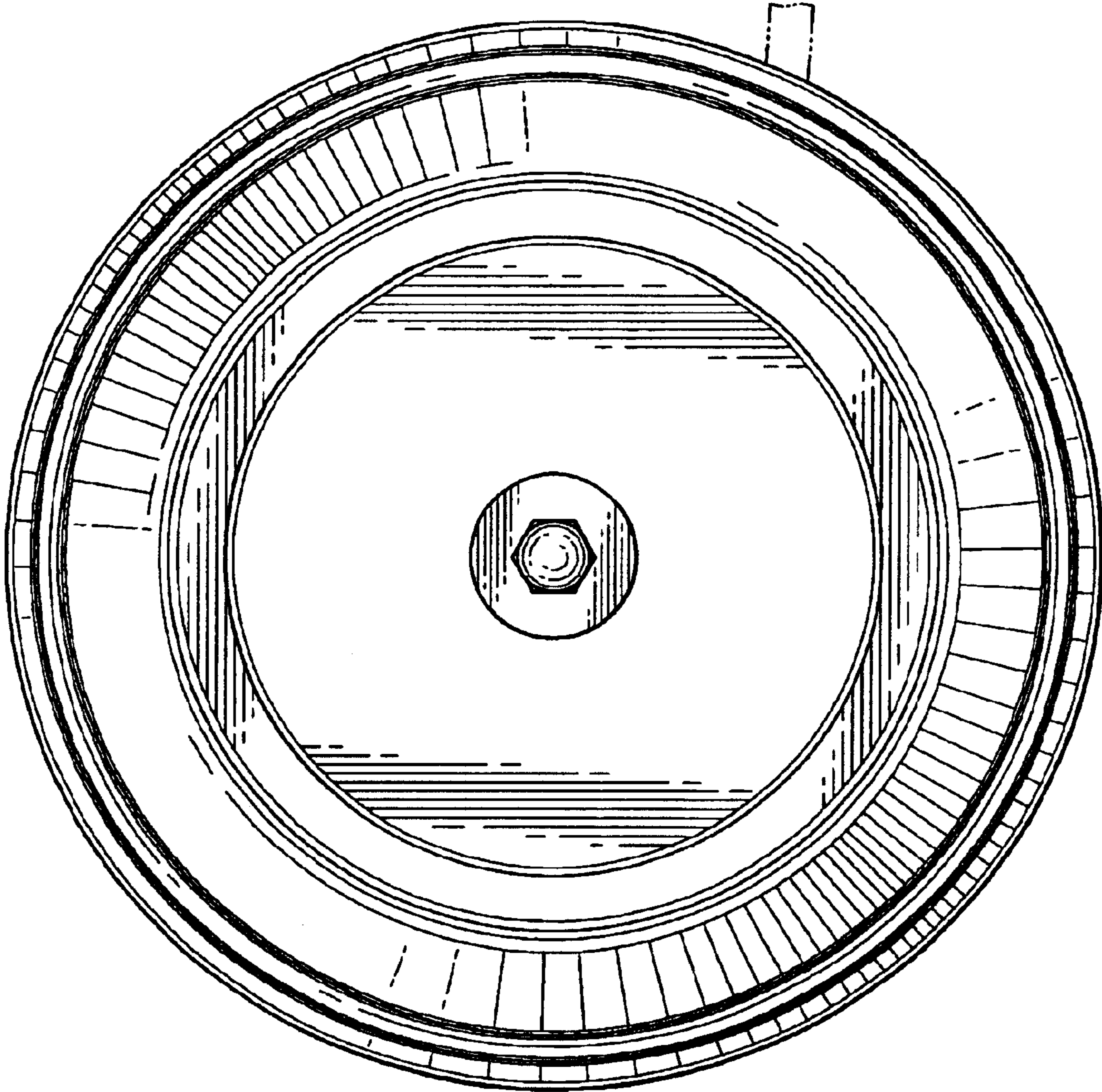


FIG. 1



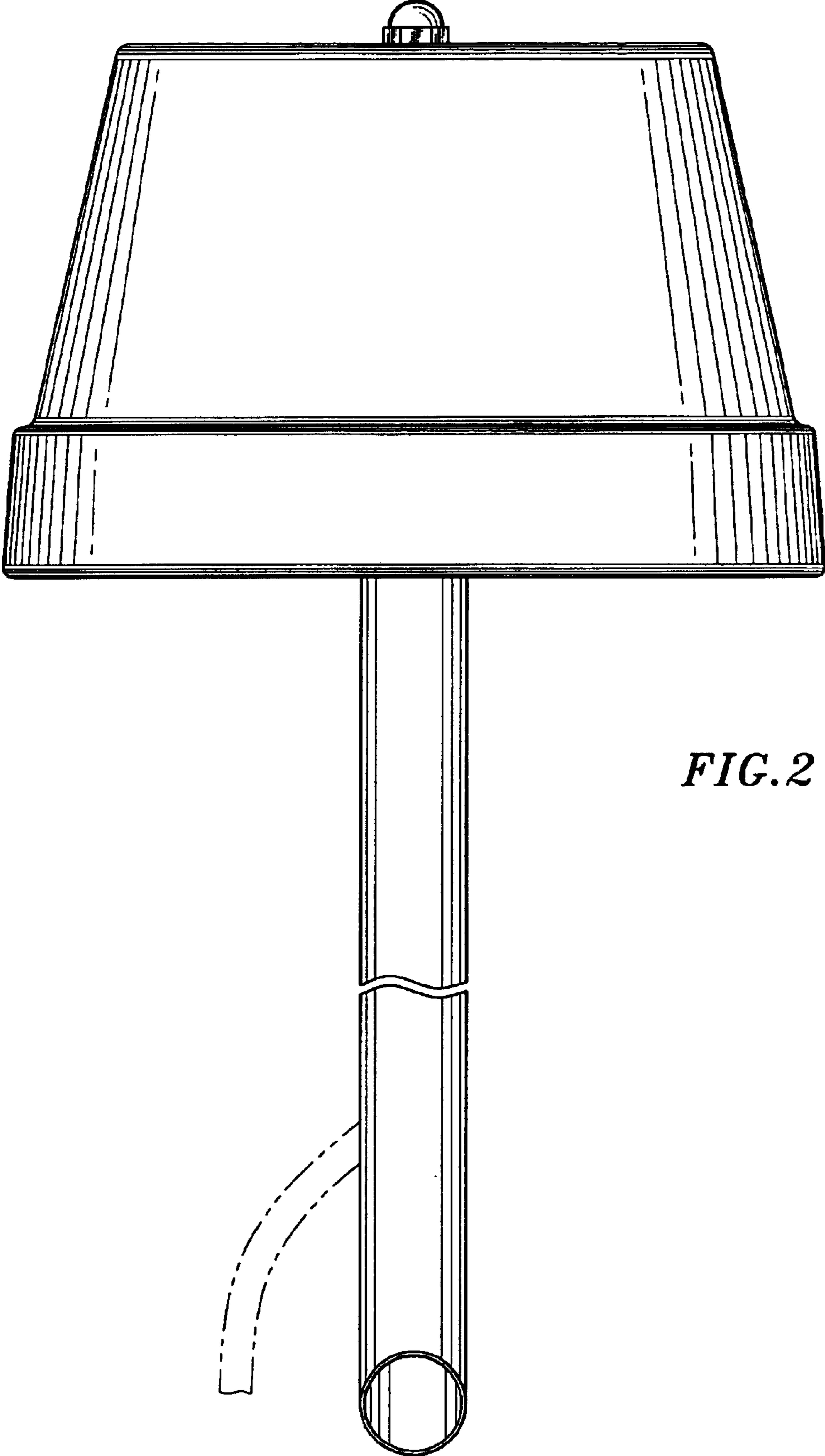
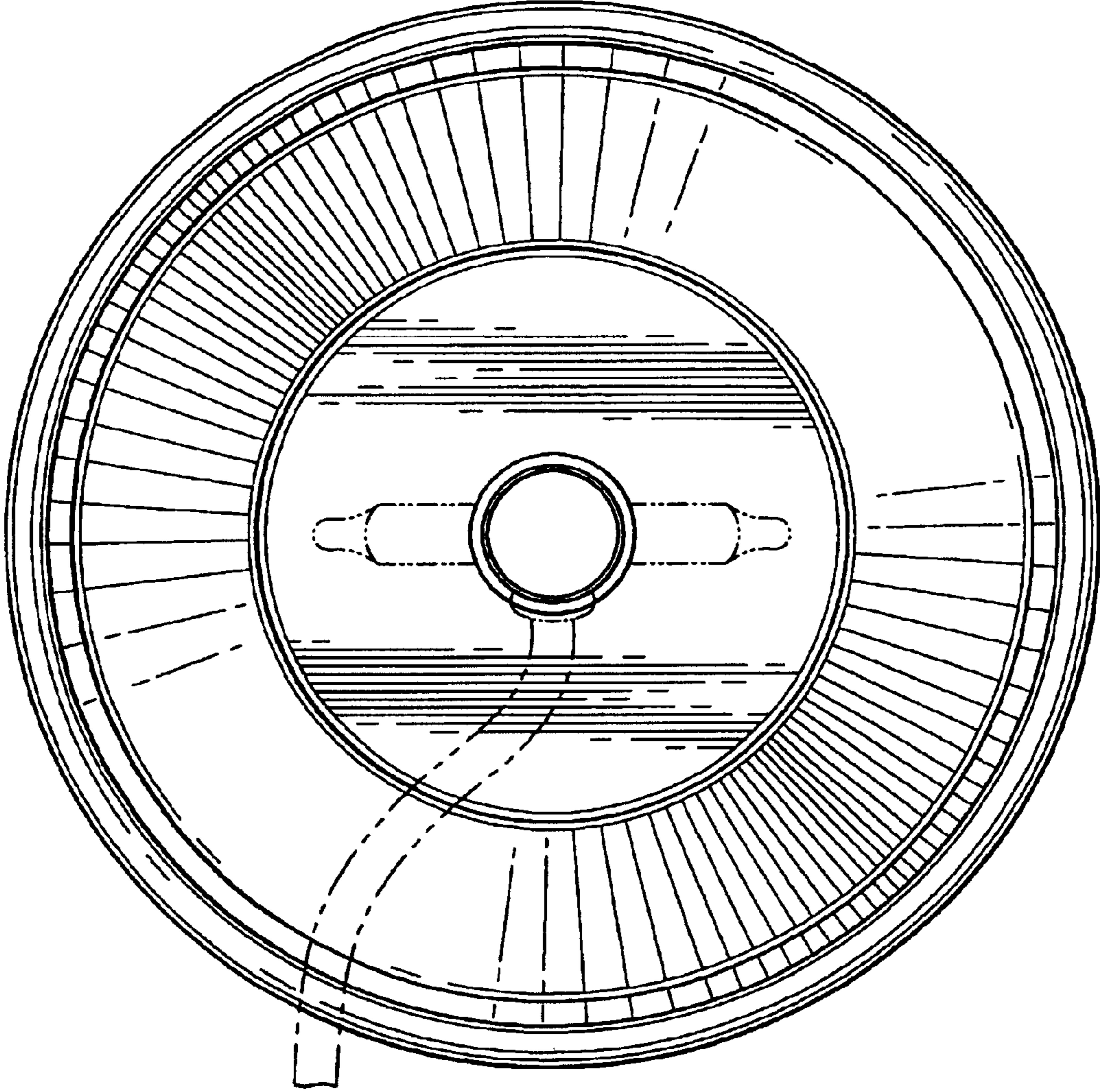


FIG. 2

FIG. 3



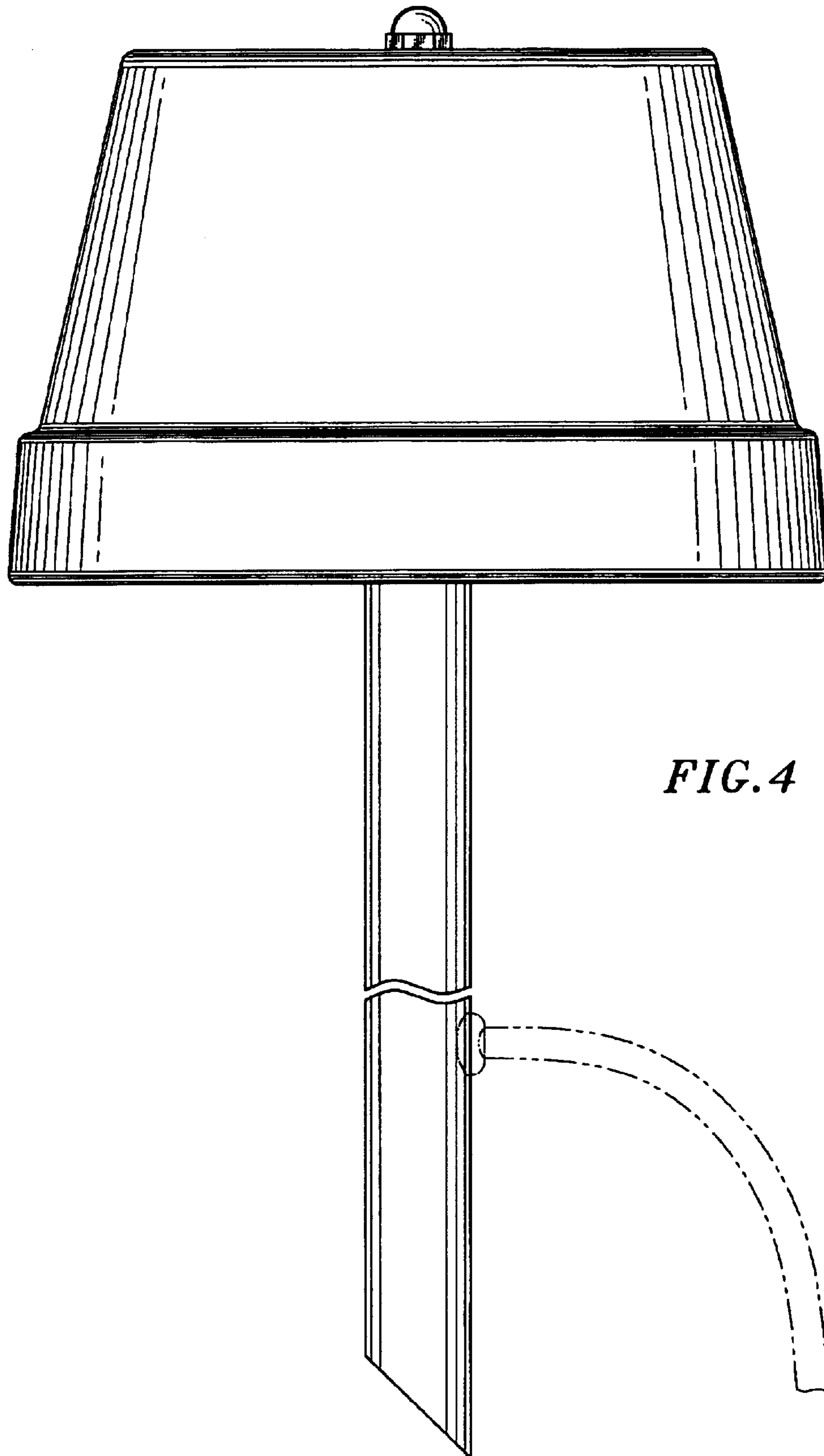


FIG. 4

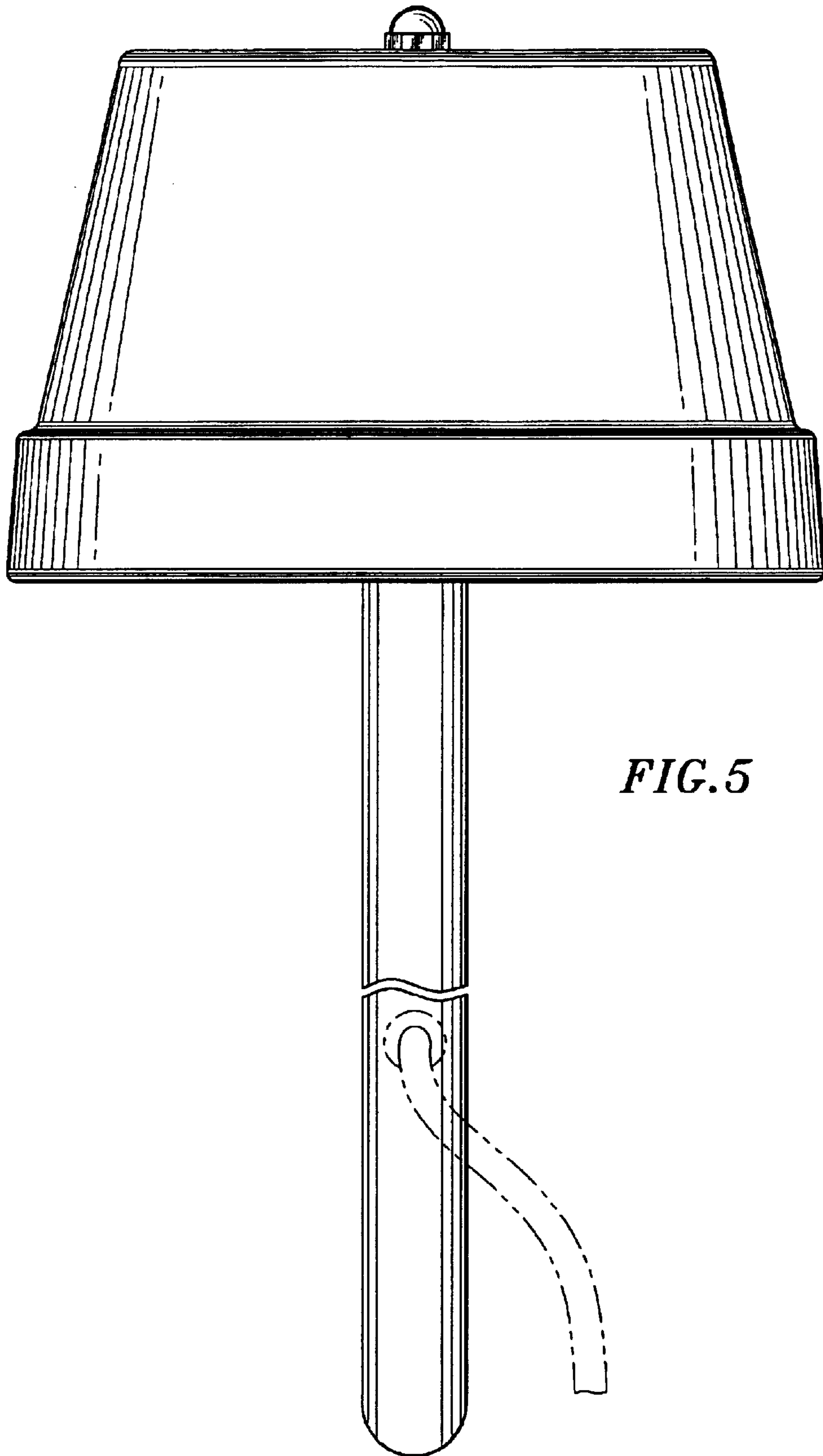


FIG. 5