

US00D499499S

(12) **United States Design Patent**  
**Cetera**

(10) **Patent No.:** **US D499,499 S**

(45) **Date of Patent:** **\*\* Dec. 7, 2004**

(54) **PEN LIGHT**

(75) **Inventor:** **Carl Cetera**, Tenafly, NJ (US)

(73) **Assignee:** **Cotapaxi Inc.**, Carlstadt, NJ (US)

(\*\*) **Term:** **14 Years**

(21) **Appl. No.:** **29/197,666**

(22) **Filed:** **Jan. 16, 2004**

(51) **LOC (7) Cl.** ..... **26-02**

(52) **U.S. Cl.** ..... **D26/37**

(58) **Field of Search** ..... D26/37-50; 362/157,  
362/158, 171-174, 183-208

(56) **References Cited**

**U.S. PATENT DOCUMENTS**

D465,865 S \* 11/2002 Hamilton et al. .... D26/37

D485,629 S \* 1/2004 Chan ..... D26/37

D486,930 S \* 2/2004 Stoddard et al. .... D26/37

\* cited by examiner

*Primary Examiner*—Marcus A. Jackson

(74) *Attorney, Agent, or Firm*—Brian Carpenter

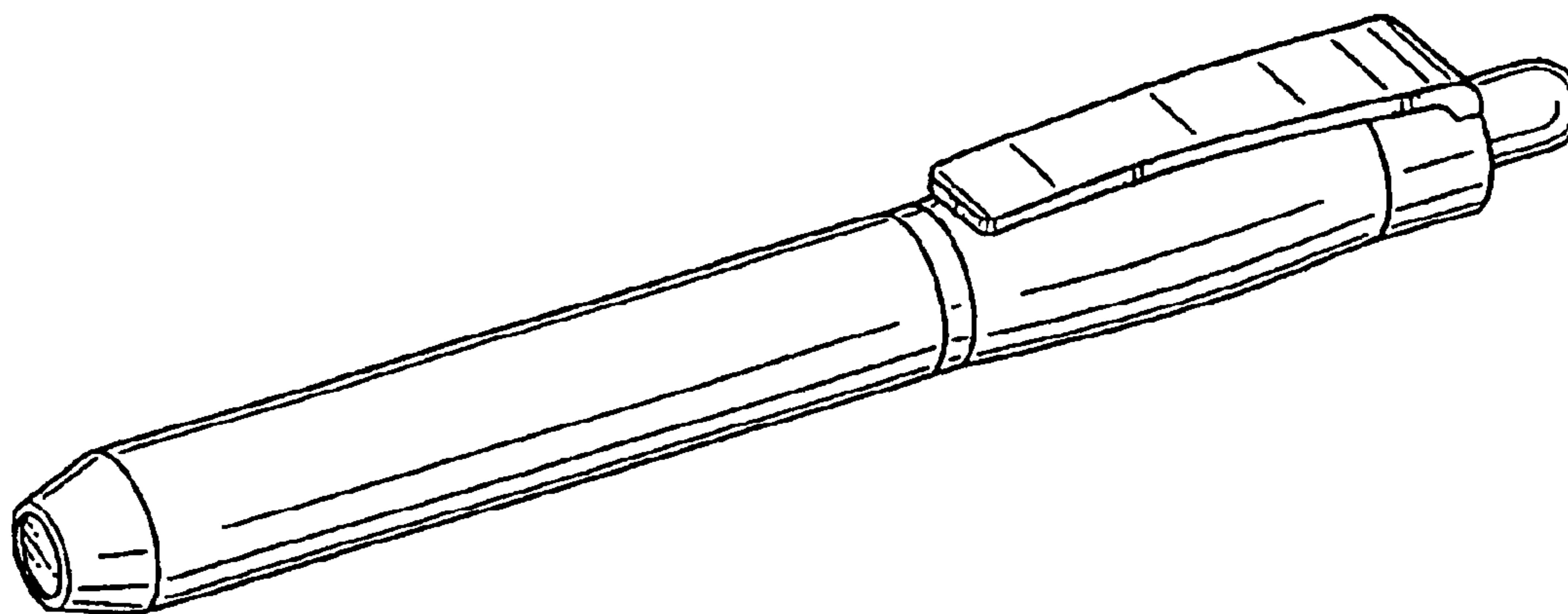
(57) **CLAIM**

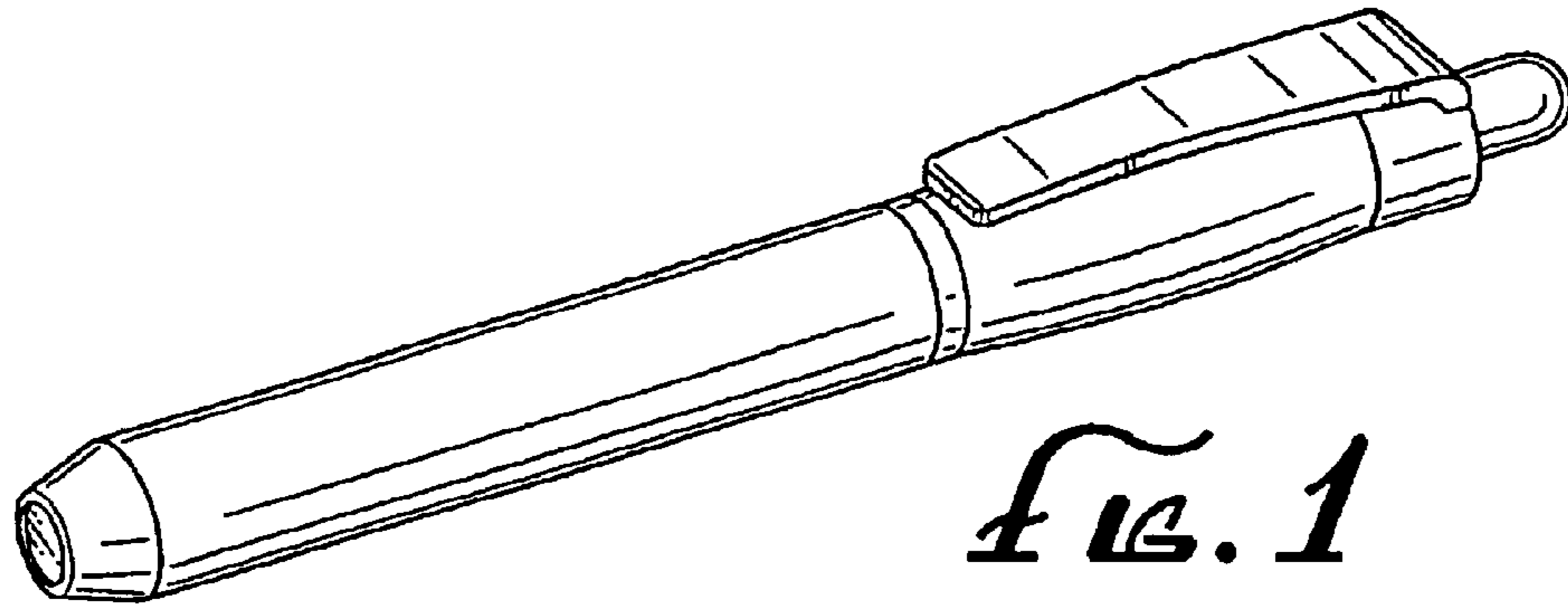
The ornamental design for a pen light, as shown and described.

**DESCRIPTION**

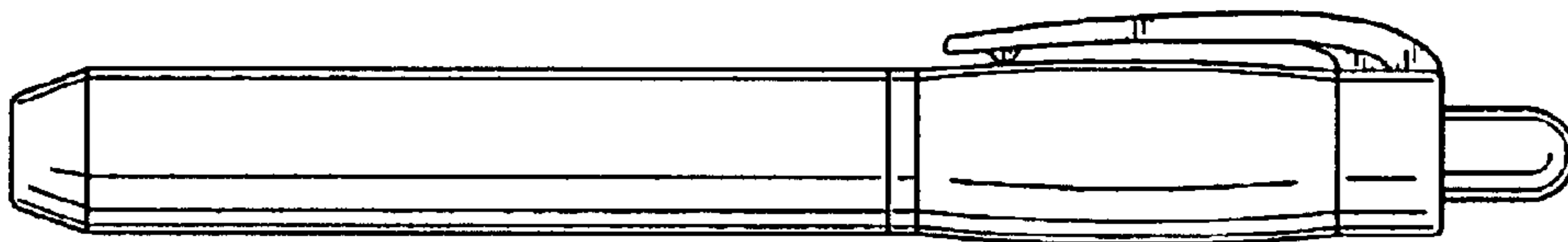
FIG. 1 is a perspective view of a pen light;  
FIG. 2 is a right side elevational view of the pen light of FIG. 1;  
FIG. 3 is a front plan view of the pen light of FIG. 1;  
FIG. 4 is a rear plan view of the pen light of FIG. 1;  
FIG. 5 is a bottom elevational view of the pen light of FIG. 1; and,  
FIG. 6 is a top elevational view of the pen light of FIG. 1.  
The left side elevational view of the pen light of FIG. 1 is a mirror image of the right side elevation view shown in FIG. 2.

**1 Claim, 1 Drawing Sheet**

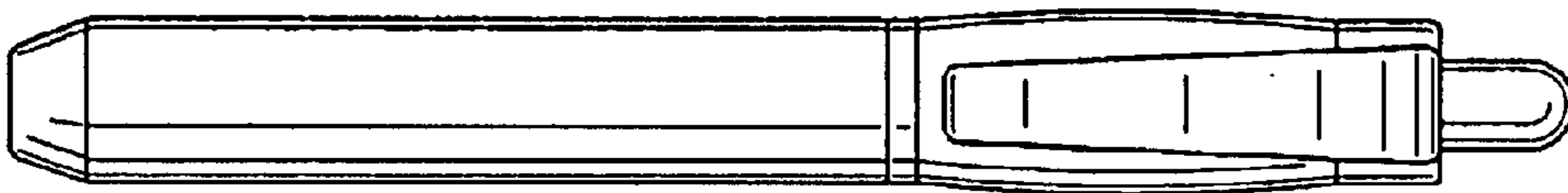




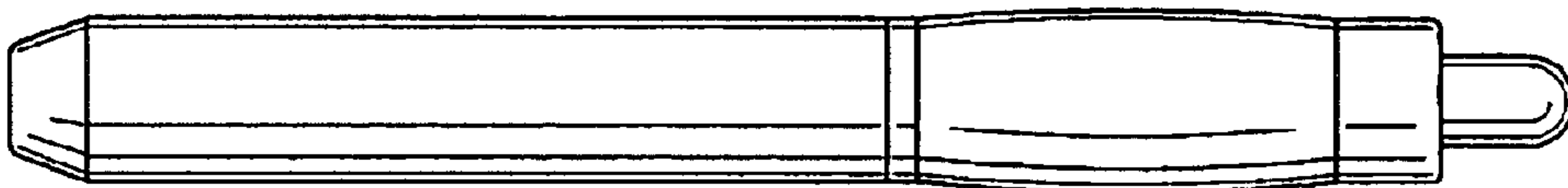
*FIG. 1*



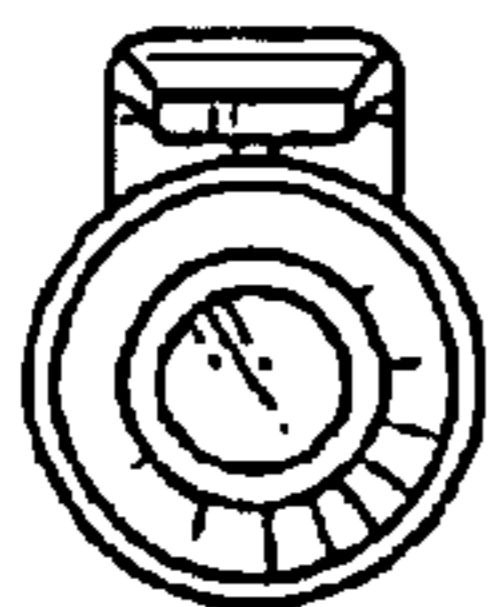
*FIG. 2*



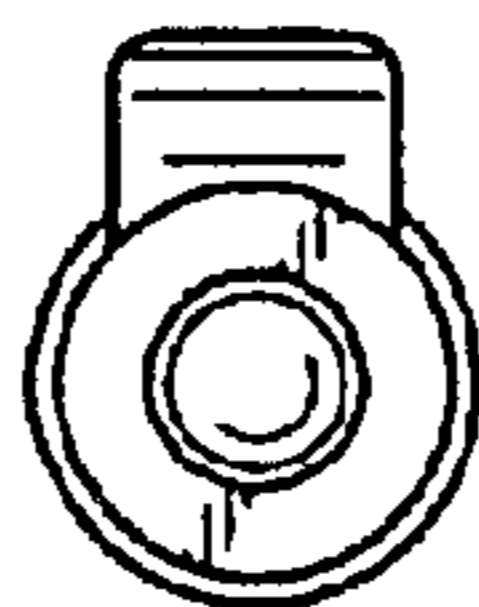
*FIG. 3*



*FIG. 4*



*FIG. 5*



*FIG. 6*