

US00D499496S

(12) **United States Design Patent** (10) **Patent No.:** **US D499,496 S**  
**Papke et al.** (45) **Date of Patent:** **\*\* Dec. 7, 2004**

(54) **SURFACE CONFIGURATION OF A HEADLIGHT FOR A VEHICLE**

*Primary Examiner*—Marcus A. Jackson  
(74) *Attorney, Agent, or Firm*—Crowell & Moring LLP

(75) Inventors: **Wolfgang Papke**, Ulm (DE); **Pieter Ketele**, Elchingen (DE); **Joerg Albers**, Ulm (DE)

(57) **CLAIM**

The ornamental design for a surface configuration of a headlight for a vehicle, as shown and described.

(73) Assignee: **DaimlerChrysler AG**, Stuttgart (DE)

**DESCRIPTION**

(\*\*) Term: **14 Years**

This application is related to the following co-pending application, of the inventors, filed on even date herewith: Application Ser. No. 29/198,407, entitled "Surface Configuration Vehicle, Toy and/or Other Replicas".

(21) Appl. No.: **29/198,408**

(22) Filed: **Jan. 30, 2004**

FIG. 1 is a perspective view of a first embodiment of a surface configuration of a headlight for a vehicle according to our novel design;

(30) **Foreign Application Priority Data**

Jul. 31, 2003 (DE) ..... 4 03 05 098

FIG. 2 is a front view of the first embodiment of the surface configuration of a headlight for a vehicle according to our novel design;

(51) **LOC (7) Cl.** ..... **26-06**

(52) **U.S. Cl.** ..... **D26/28**

(58) **Field of Search** ..... D26/28-36; 362/459-468, 362/473-476, 485-487

FIG. 3 is a perspective view of a second embodiment of the surface configuration of a headlight for a vehicle according to our novel design; and,

(56) **References Cited**

**U.S. PATENT DOCUMENTS**

D464,749 S \* 10/2002 Murkett ..... D26/28

D481,807 S \* 11/2003 Honer ..... D26/28

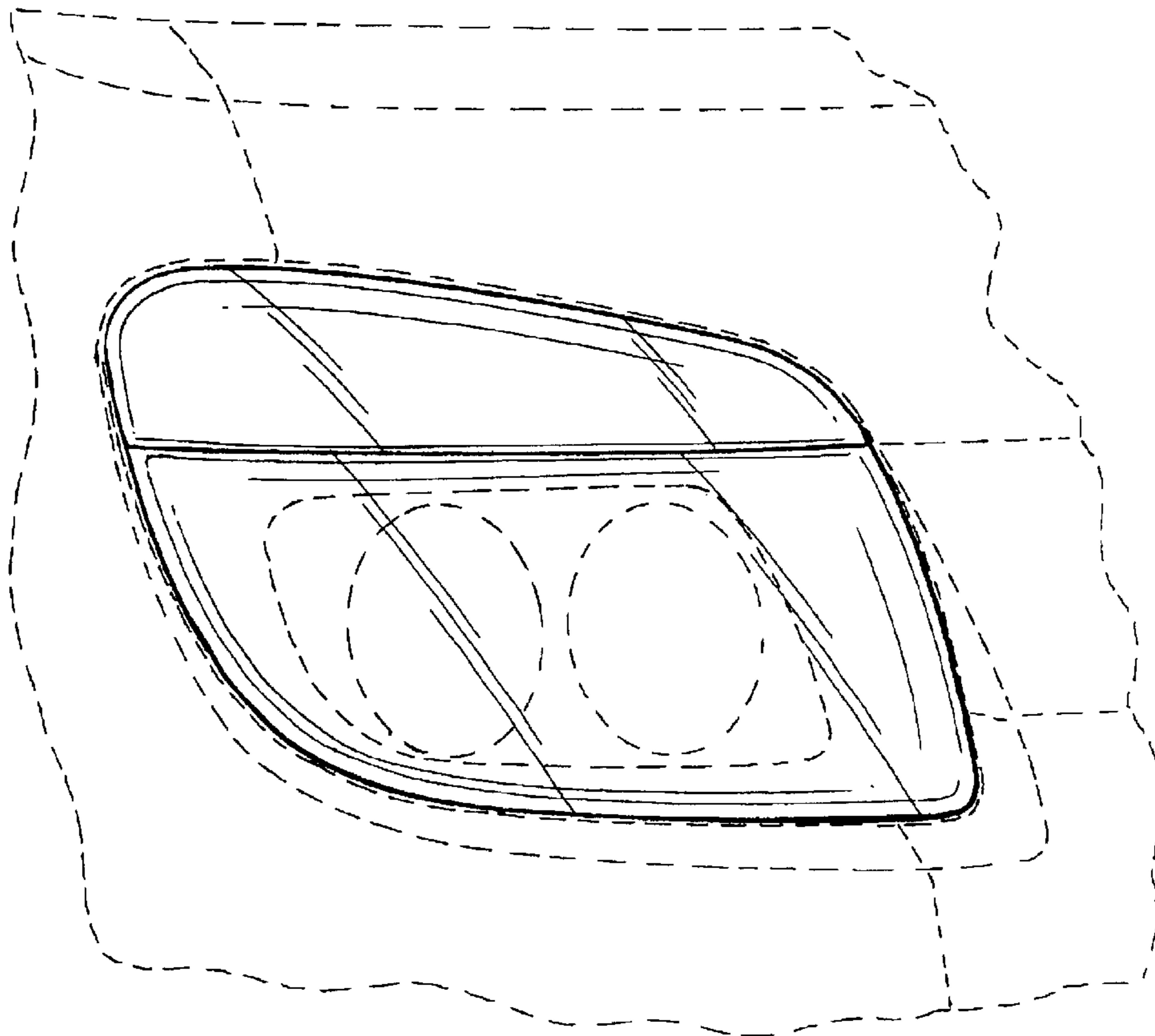
D493,552 S \* 7/2004 Metros et al. .... D26/28

FIG. 4 is a front view of the second embodiment of the surface configuration of a headlight for a vehicle according to our novel design.

The broken lines are for illustrative purposes only and form no part of the claimed design.

\* cited by examiner

**1 Claim, 4 Drawing Sheets**



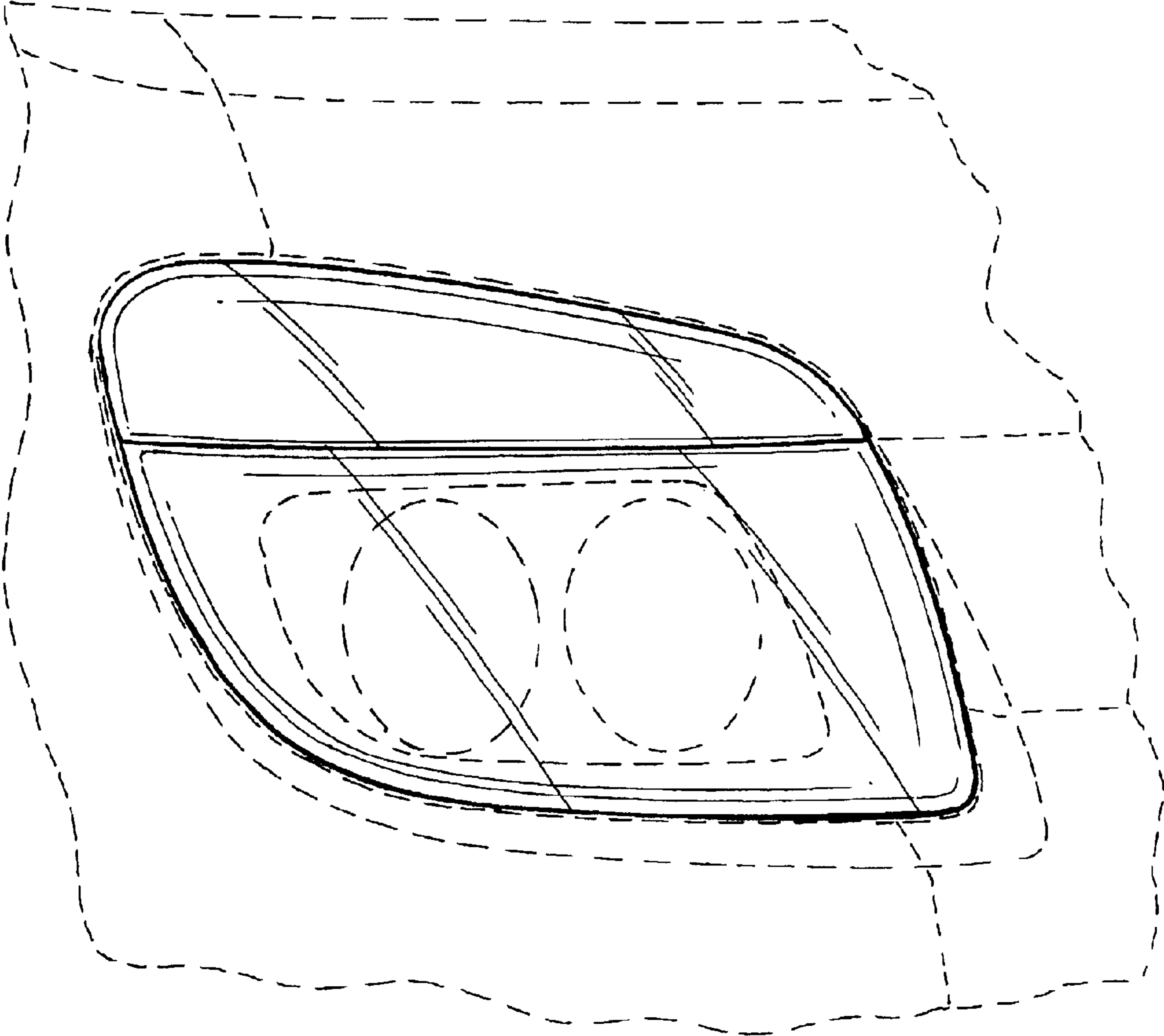


FIG. 1

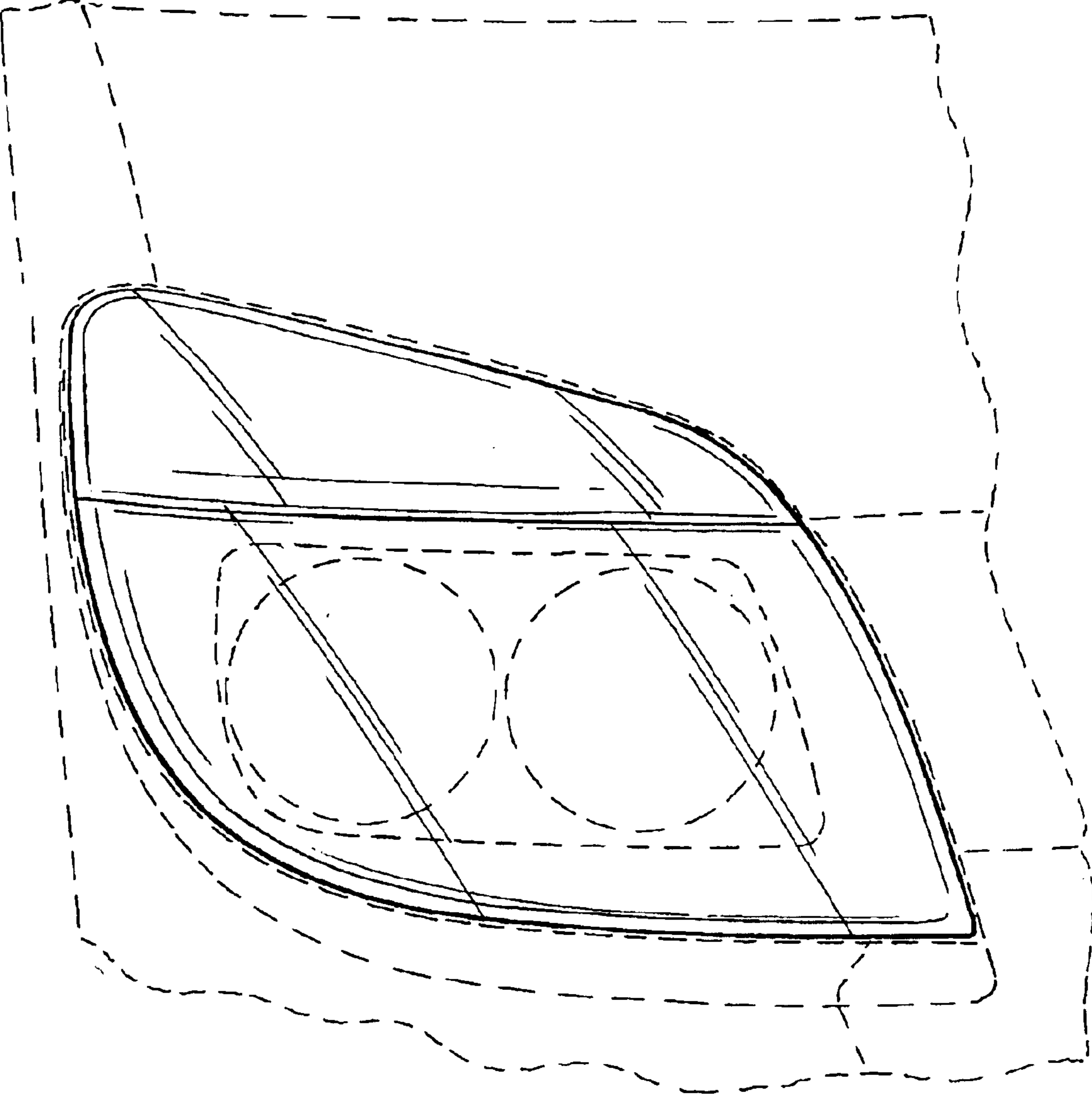


FIG. 2

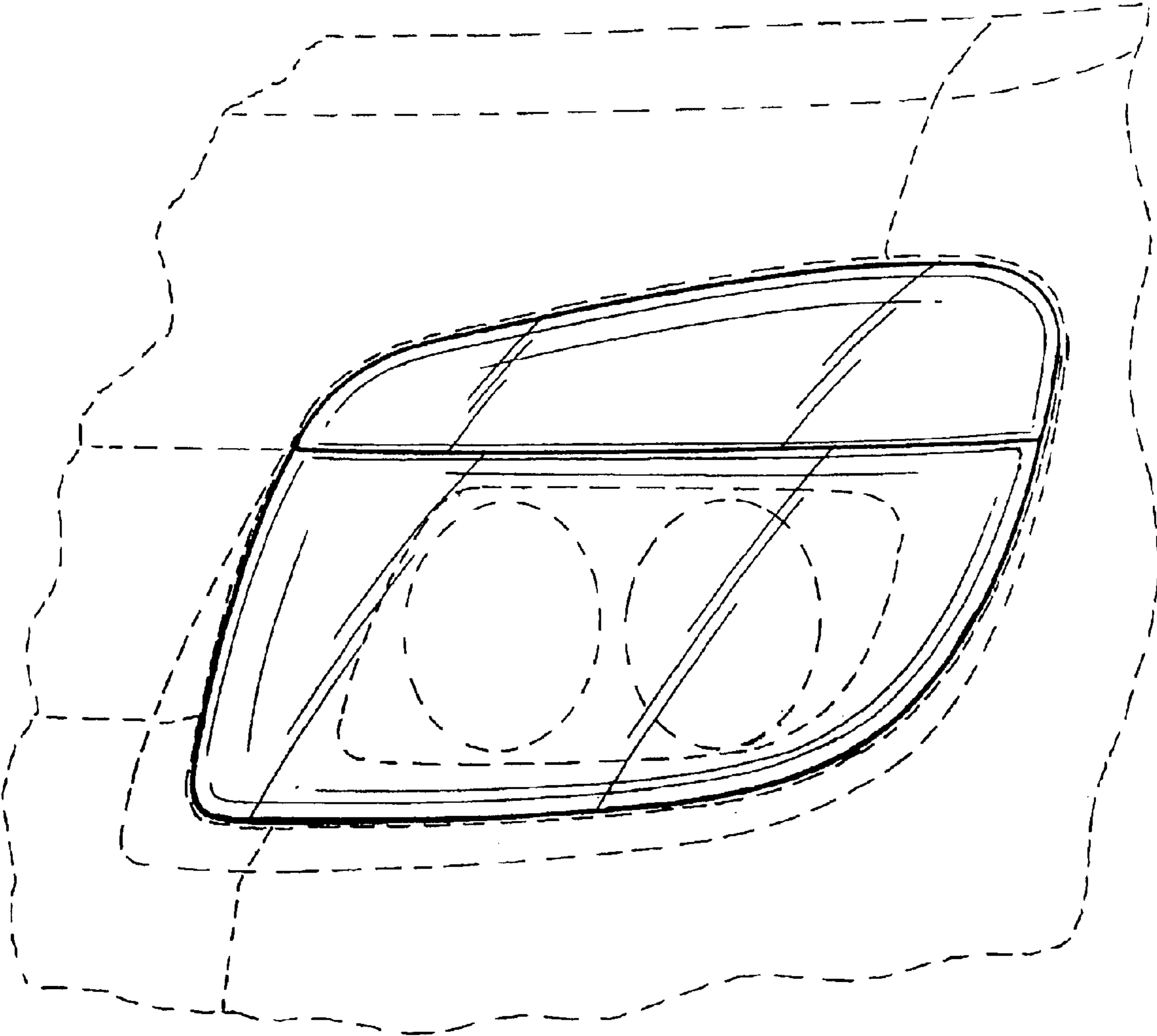


FIG. 3

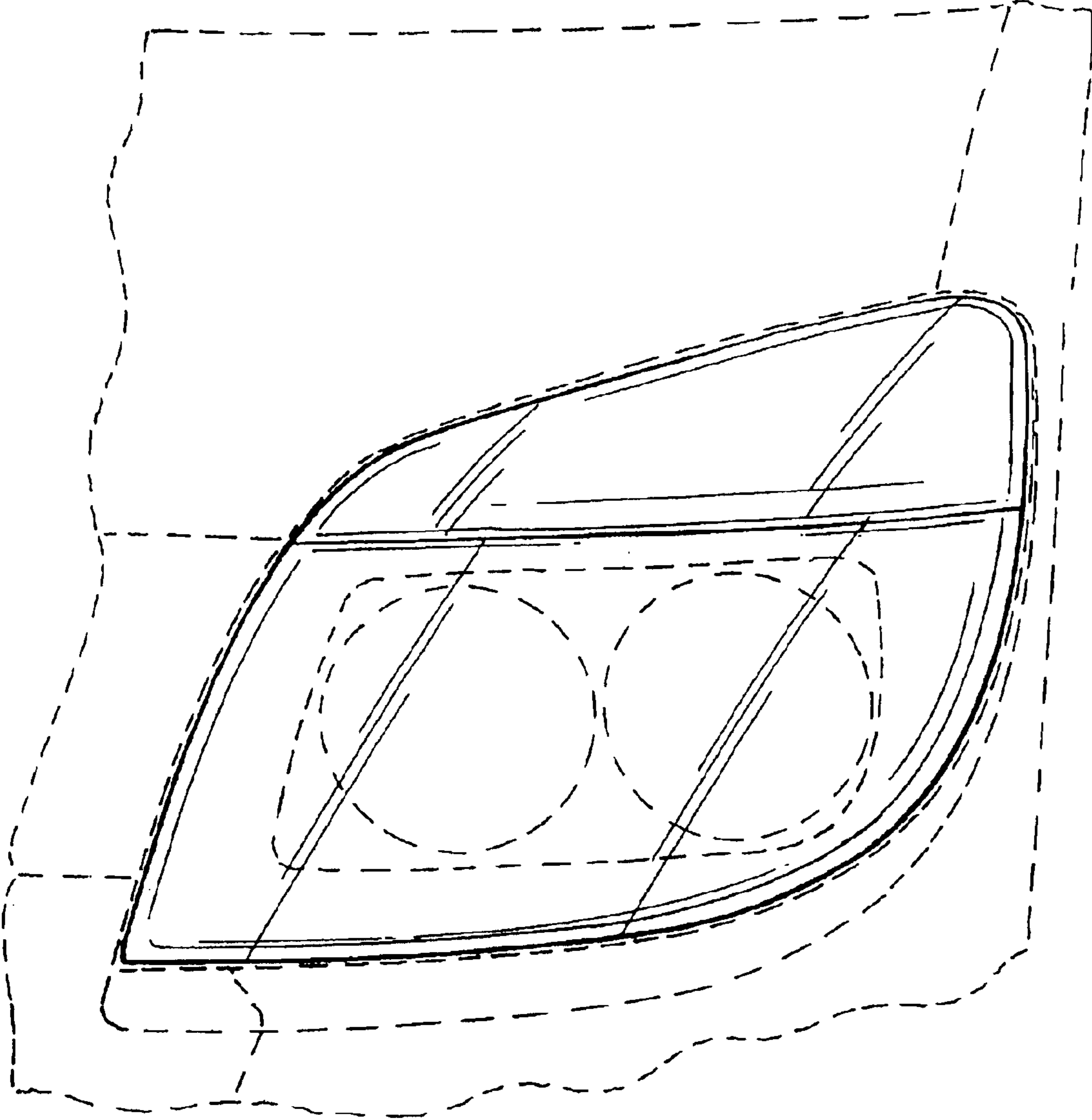


FIG. 4