

US00D499491S

(12) **United States Design Patent**
Kent et al.

(10) **Patent No.:** **US D499,491 S**
(45) **Date of Patent:** **** Dec. 7, 2004**

- (54) **LIGHT THERAPEUTIC DEVICE**
- (75) Inventors: **Marsha Kent**, Austin, TX (US); **Ron Lynch**, Austin, TX (US)
- (73) Assignee: **Sylmark Holdings Limited (IE)**
- (**) Term: **14 Years**
- (21) Appl. No.: **29/200,788**
- (22) Filed: **Mar. 3, 2004**
- (51) **LOC (7) Cl.** **28-03**
- (52) **U.S. Cl.** **D24/210; D24/209**
- (58) **Field of Search** **D24/209, 210; 606/2, 1, 3, 9, 10, 13; 362/572, 800, 804; 607/88, 89, 90; D26/37**

- 6,602,275 B1 8/2003 Sullivan
- D480,480 S 10/2003 Lomberg et al.
- D482,127 S 11/2003 Rhoades
- D484,625 S * 12/2003 Chang D26/37
- 6,689,124 B1 2/2004 Thiberg
- 6,702,837 B2 * 3/2004 Gutwein 607/88
- 2002/0198575 A1 12/2002 Sullivan
- 2003/0187486 A1 * 10/2003 Savage et al. 607/89
- 2003/0199946 A1 10/2003 Gutwein
- 2004/0044384 A1 * 3/2004 Leber et al. 607/88
- 2004/0147984 A1 * 7/2004 Altshuler et al. 607/88

* cited by examiner

Primary Examiner—Ian Simmons

(74) *Attorney, Agent, or Firm*—Kathy Mojibi Kavcioglu

(57) **CLAIM**

We claim the ornamental design for the light therapeutic device, as shown and described.

DESCRIPTION

FIG. 1 is a perspective view of a light therapeutic device showing our new design in accordance with a first embodiment;

FIG. 2 is a top plan view thereof;

FIG. 3 is a side elevational view thereof;

FIG. 4 is a front elevational view thereof; and,

FIG. 5 is a rear elevational view thereof.

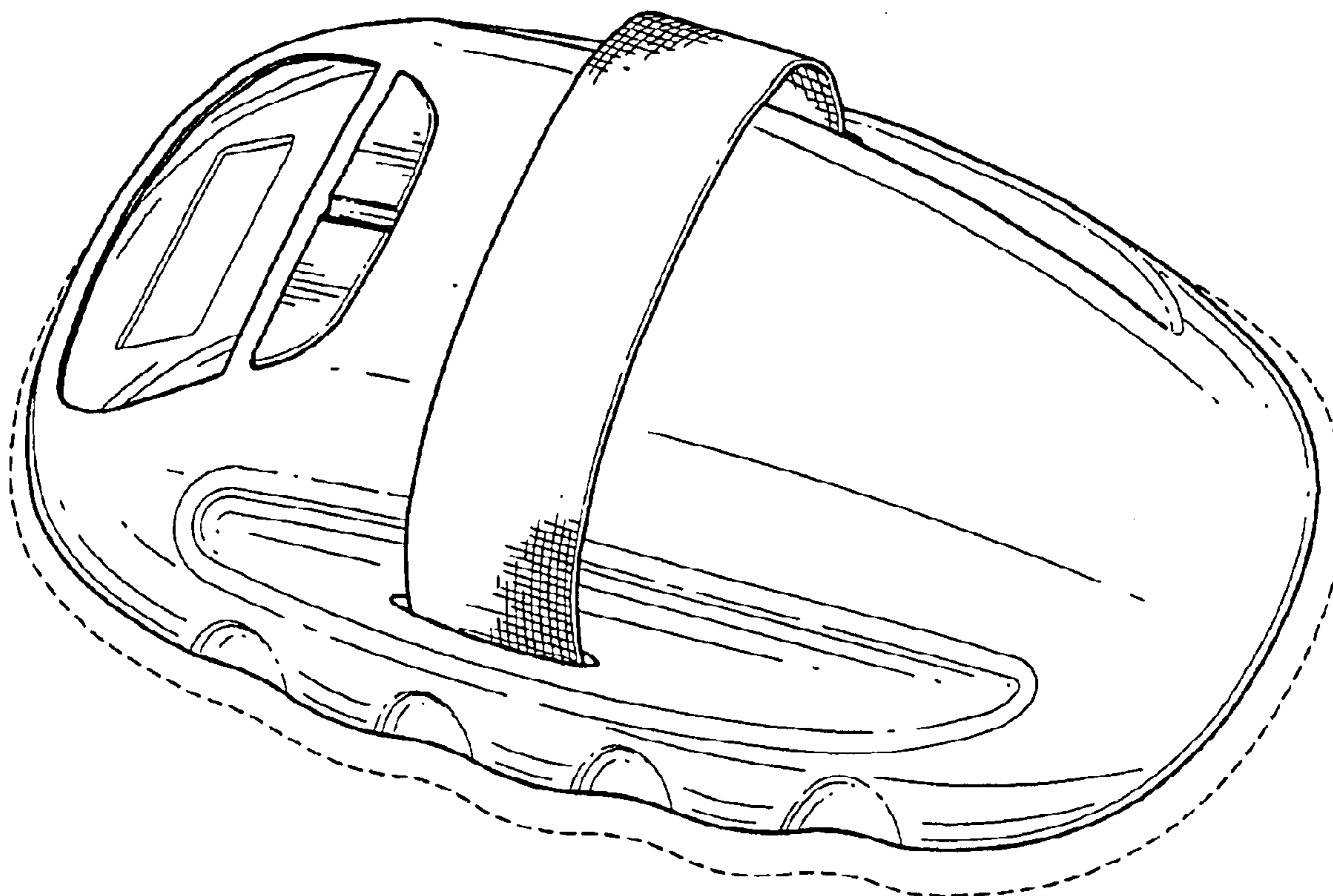
The broken lines in the figures are for illustrative purposes only and form no part of the claimed design.

1 Claim, 2 Drawing Sheets

(56) **References Cited**

U.S. PATENT DOCUMENTS

- D331,288 S 11/1992 Yuen
- 5,358,503 A 10/1994 Bertwell et al.
- 5,913,883 A 6/1999 Alexander et al.
- D428,503 S 7/2000 Rann et al.
- D436,199 S 1/2001 Lam
- 6,221,095 B1 * 4/2001 Van Zuylen et al. 607/88
- D441,456 S 5/2001 Thiberg
- D450,389 S 11/2001 Chang
- 6,471,716 B1 * 10/2002 Pecukonis 607/89
- 6,537,302 B1 3/2003 Thiberg
- 6,602,245 B1 8/2003 Thiberg



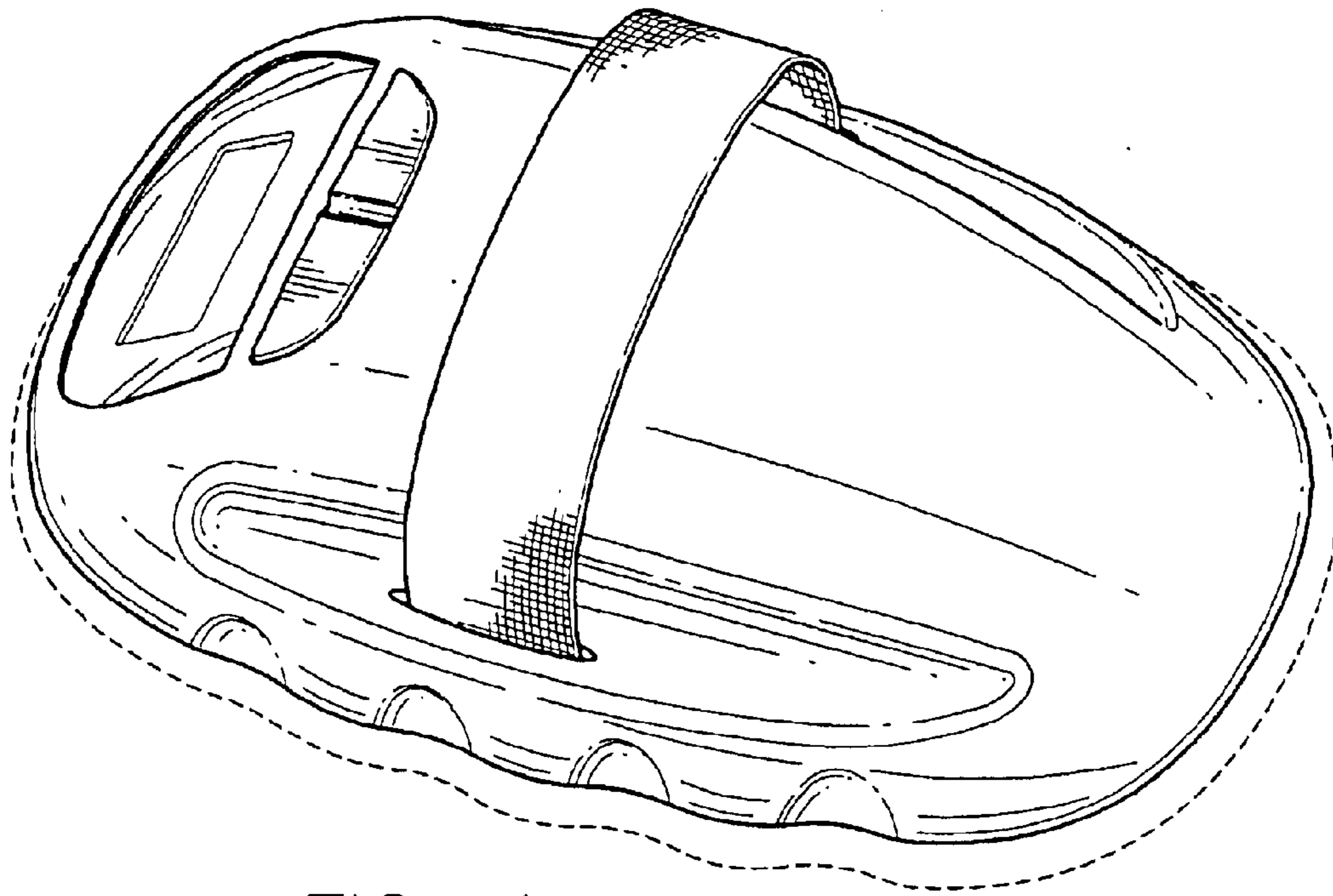


FIG. 1

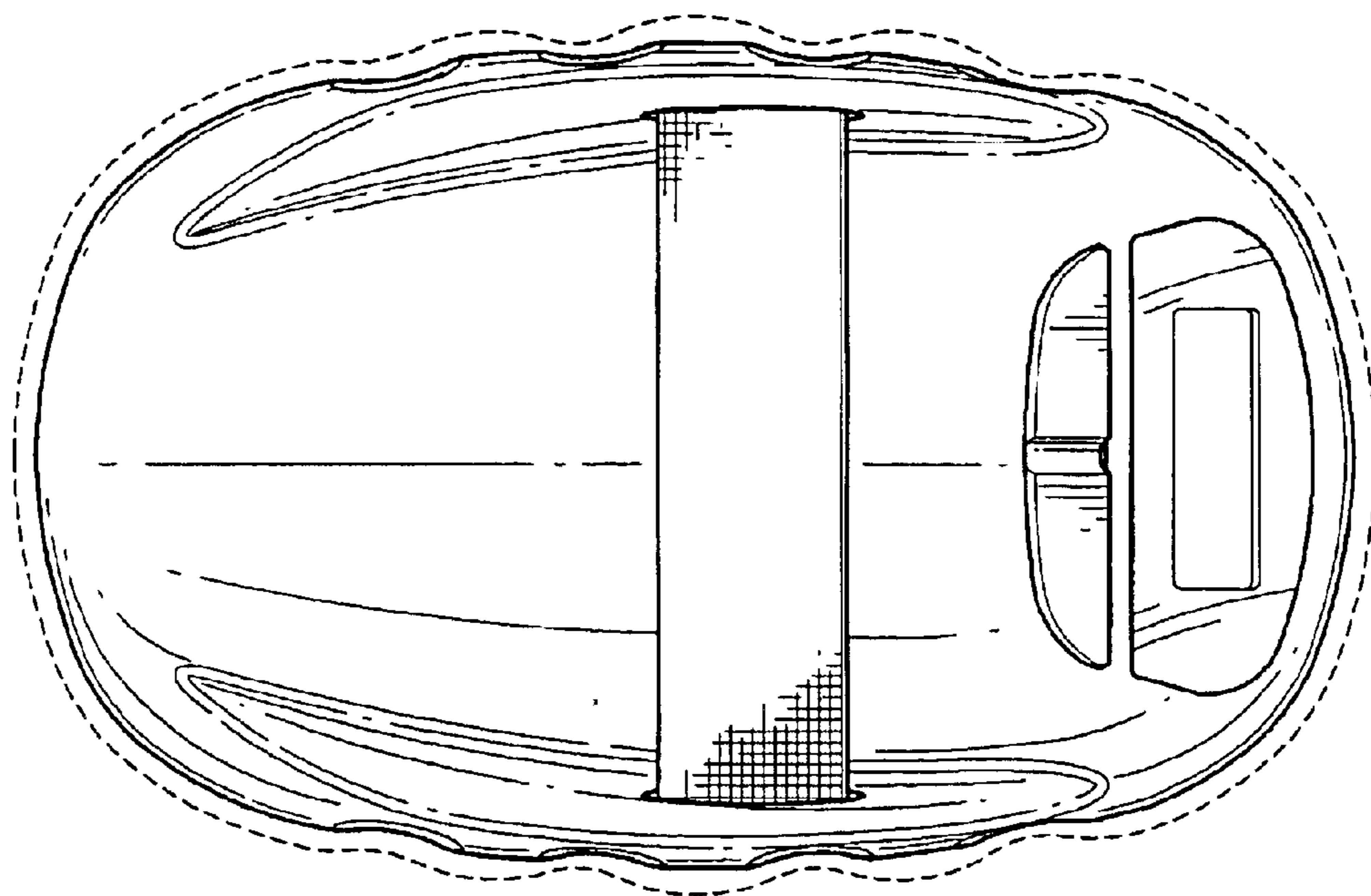


FIG. 2

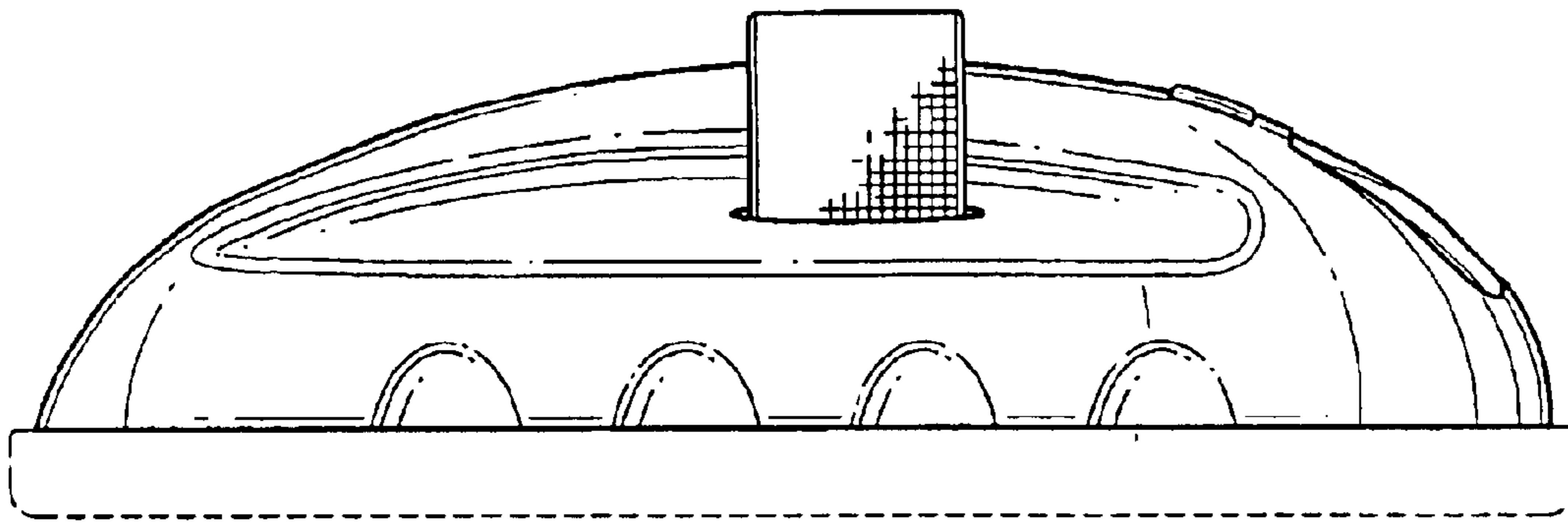


FIG. 3

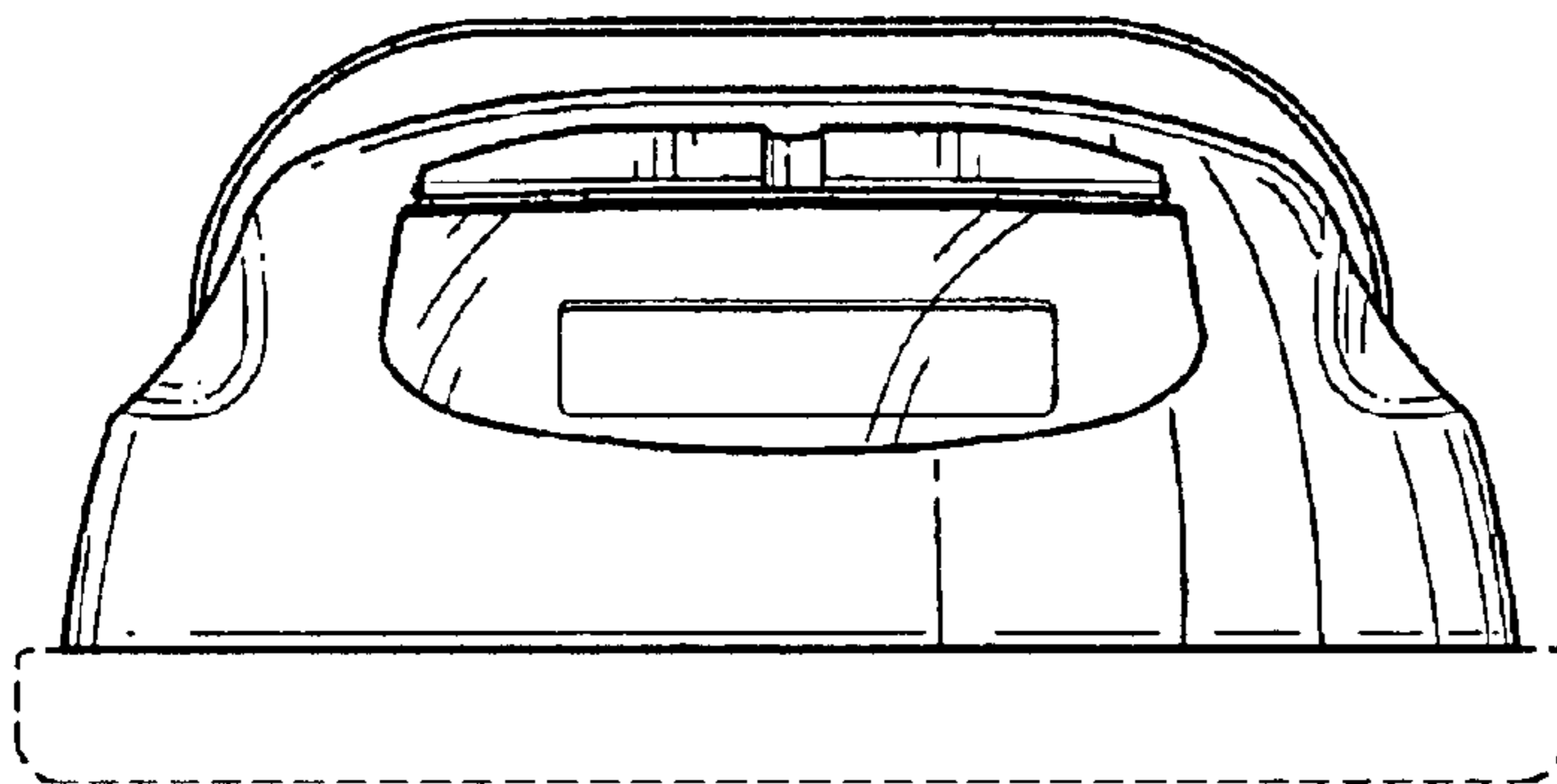


FIG. 4

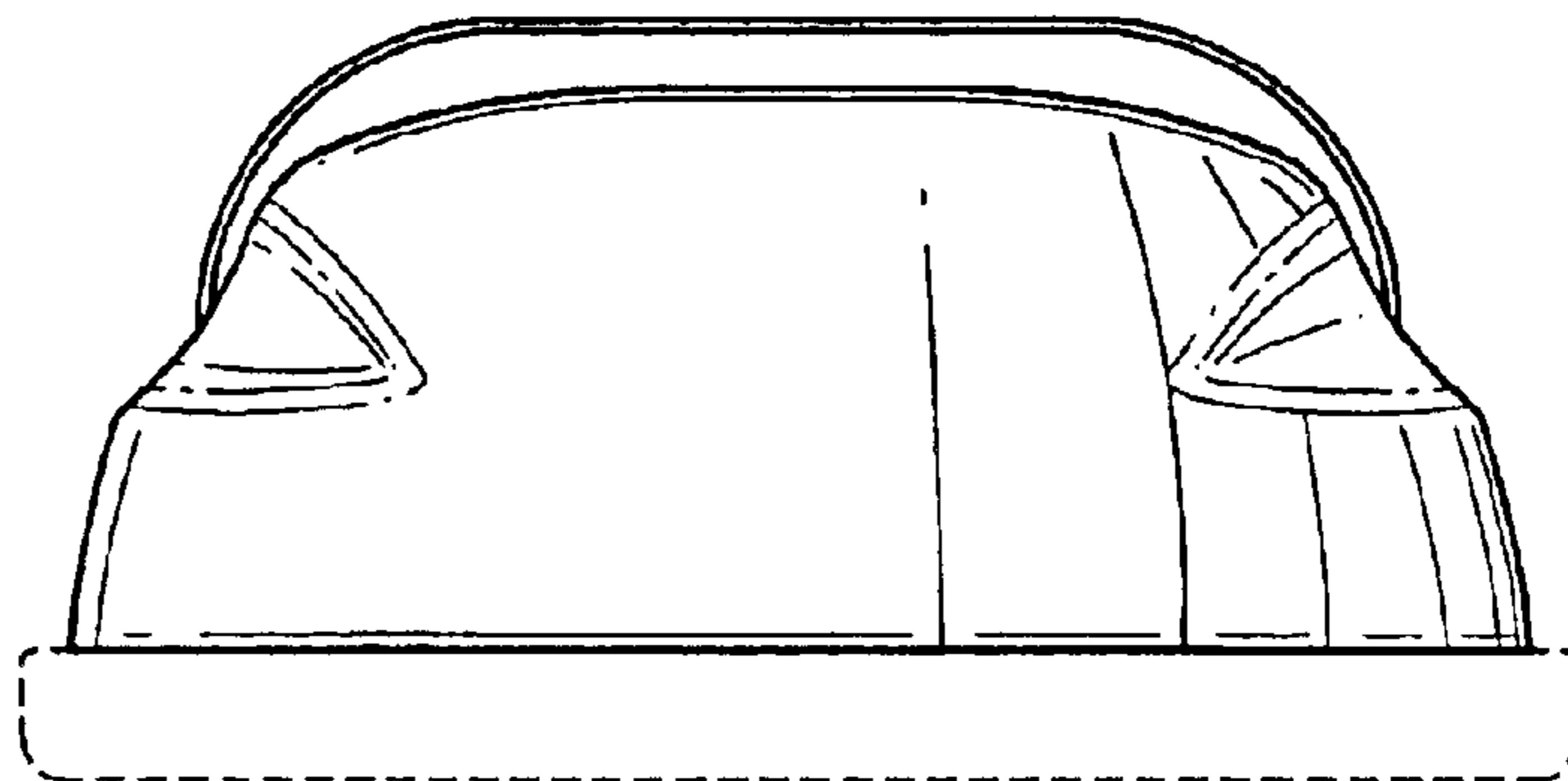


FIG. 5