

US00D499490S

(12) **United States Design Patent**
Conaway

(10) **Patent No.:** **US D499,490 S**
(45) **Date of Patent:** **** Dec. 7, 2004**

- (54) **NURSING BOTTLE GRIPPING HANDLES**
- (75) **Inventor:** **Jonathan W. Conaway**, Hamilton, OH (US)
- (73) **Assignee:** **Evenflo Company, Inc.**, Vandalia, OH (US)
- (**) **Term:** **14 Years**
- (21) **Appl. No.:** **29/197,607**
- (22) **Filed:** **Jan. 16, 2004**
- (51) **LOC (7) Cl.** **07-01**
- (52) **U.S. Cl.** **D24/197**
- (58) **Field of Search** D24/197; 215/11.1, 215/11.2, 11.3, 11.4, 11.5, 11.6

- D392,390 S * 3/1998 Chan et al. D24/197
- D403,072 S 12/1998 Huante
- D419,029 S 1/2000 Randolph
- 6,024,625 A 2/2000 Pearce
- 6,036,570 A 3/2000 Nadel
- 6,037,872 A 3/2000 Dunnum
- D423,107 S * 4/2000 Brown et al. D24/197
- 6,073,788 A 6/2000 Stroud
- 6,158,870 A 12/2000 Ramirez
- 6,250,592 B1 6/2001 Davis
- 6,305,562 B1 10/2001 Chan et al.
- D457,778 S 5/2002 Randolph et al.
- 6,413,137 B1 7/2002 Myers, Sr.
- 6,513,379 B2 2/2003 Meyers et al.
- 6,568,557 B2 5/2003 Fusco et al.

* cited by examiner

Primary Examiner—Louis S. Zarfaz
Assistant Examiner—Sally Shih
(74) *Attorney, Agent, or Firm*—Taft, Stettinius & Hollister LLP

(56) **References Cited**

U.S. PATENT DOCUMENTS

- 2,744,646 A 5/1956 Blackstone
- 3,105,324 A * 10/1963 Friedman et al. 446/267
- 3,405,829 A 10/1968 Siravo
- D226,688 S * 4/1973 Thornton D24/197
- 4,570,808 A 2/1986 Campbell et al.
- 4,801,027 A 1/1989 Hunter
- 4,813,556 A 3/1989 Lawrence
- 4,832,213 A 5/1989 Sharon et al.
- 4,867,325 A 9/1989 Dransfield
- D310,719 S * 9/1990 Donovan D24/197
- 5,049,345 A 9/1991 Collette et al.
- 5,114,374 A 5/1992 Estiva
- 5,215,203 A 6/1993 Malcolm
- D356,160 S * 3/1995 Cautereels D24/197
- D368,138 S * 3/1996 Hamilton D24/197
- D376,430 S * 12/1996 Humphrey et al. D24/197

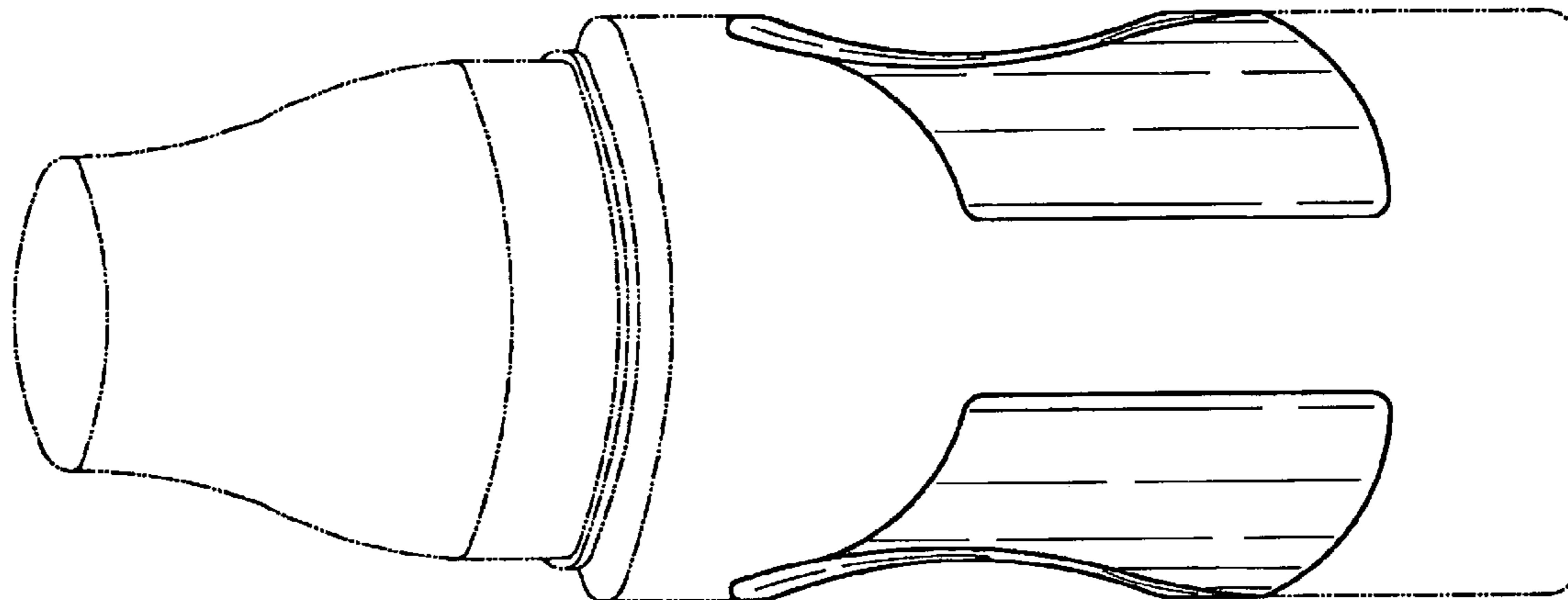
(57) **CLAIM**

The ornamental design for nursing bottle gripping handles, as shown and described.

DESCRIPTION

FIG. 1 is a front elevational view of nursing bottle gripping handles, showing my new design; FIG. 2 is a side elevational view thereof; FIG. 3 is rear elevational view thereof; FIG. 4 is a top plan view thereof; and, FIG. 5 is a bottom plan view thereof. The broken lines shown in FIGS. 1–5 are for illustrative purposes only and form no part of the claimed design.

1 Claim, 2 Drawing Sheets



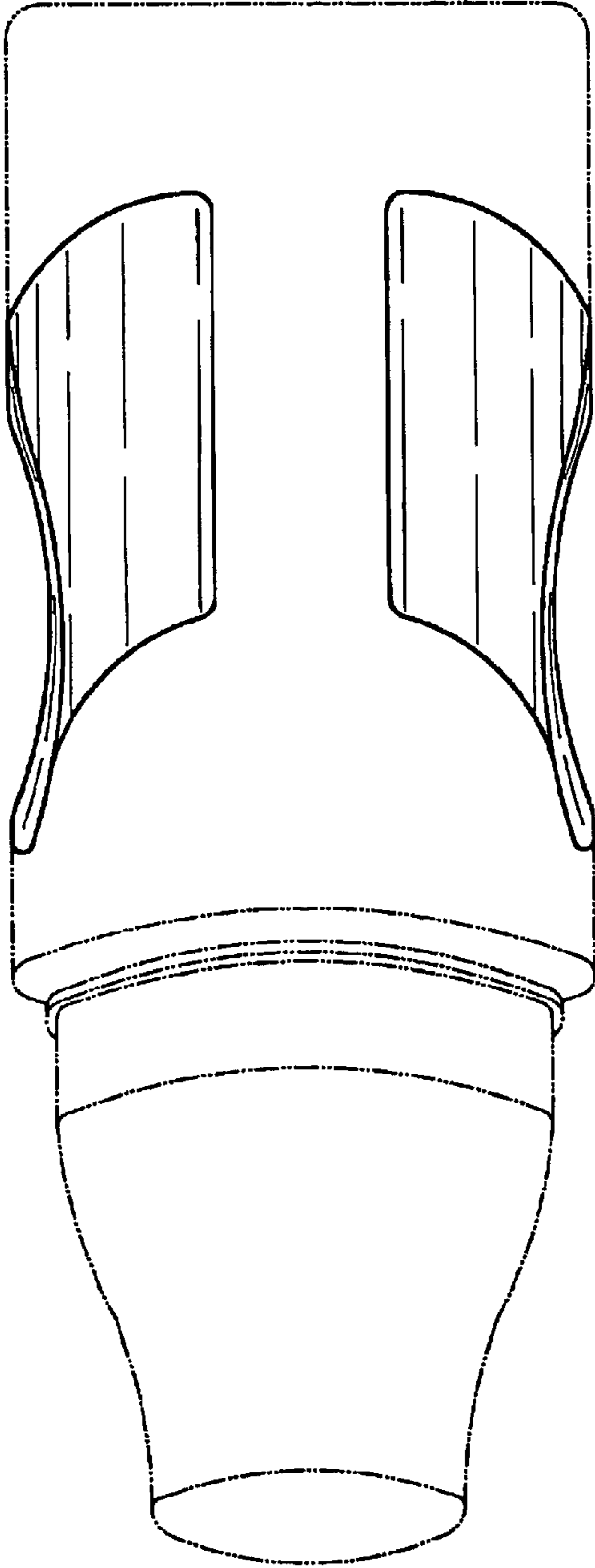


Fig. 1

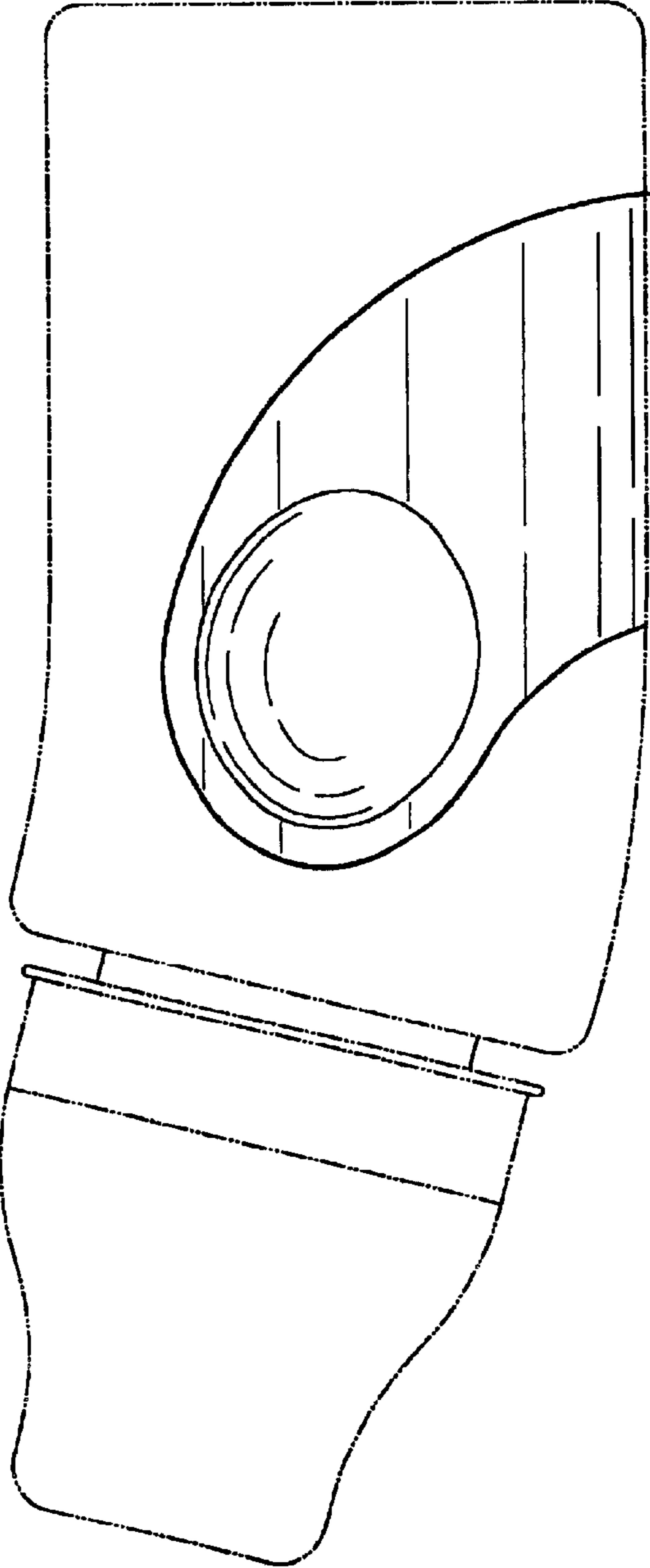


Fig. 2

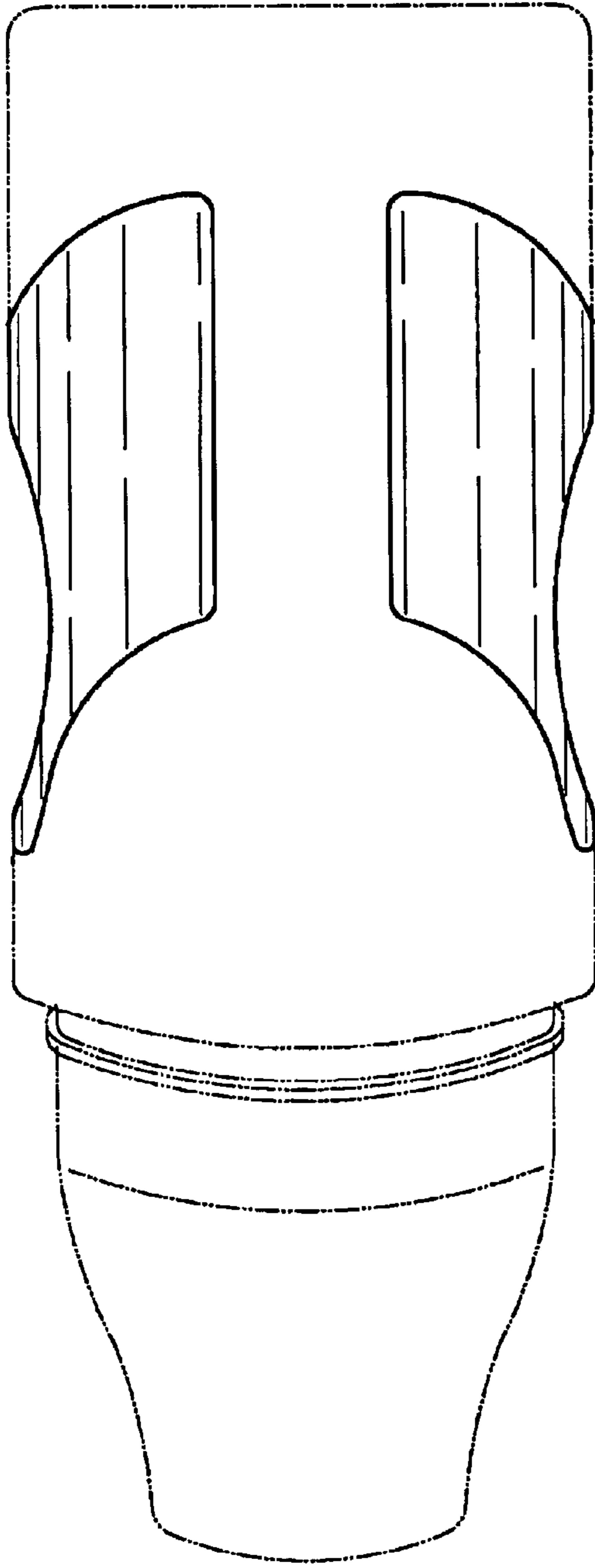


Fig. 3

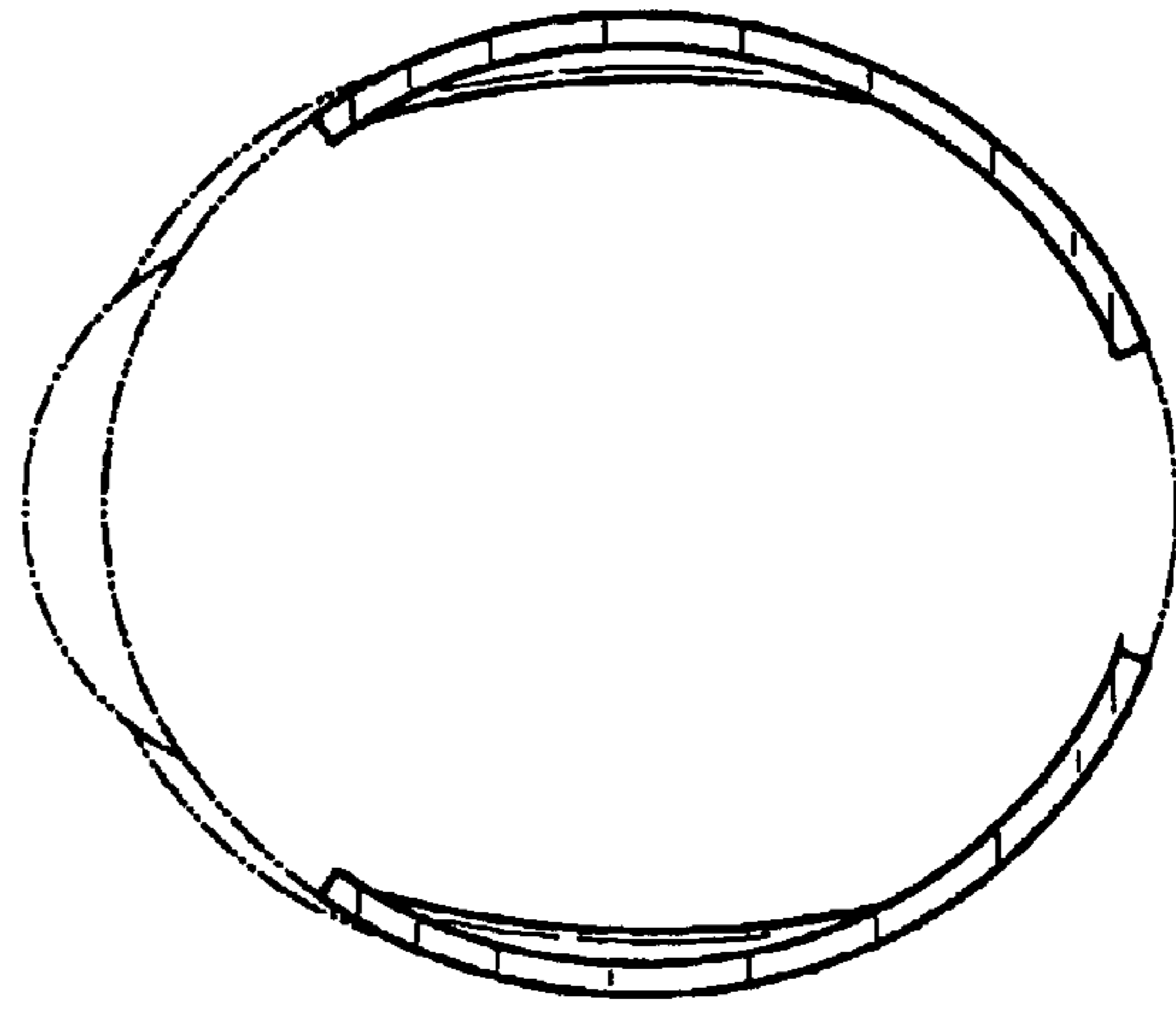


Fig. 4

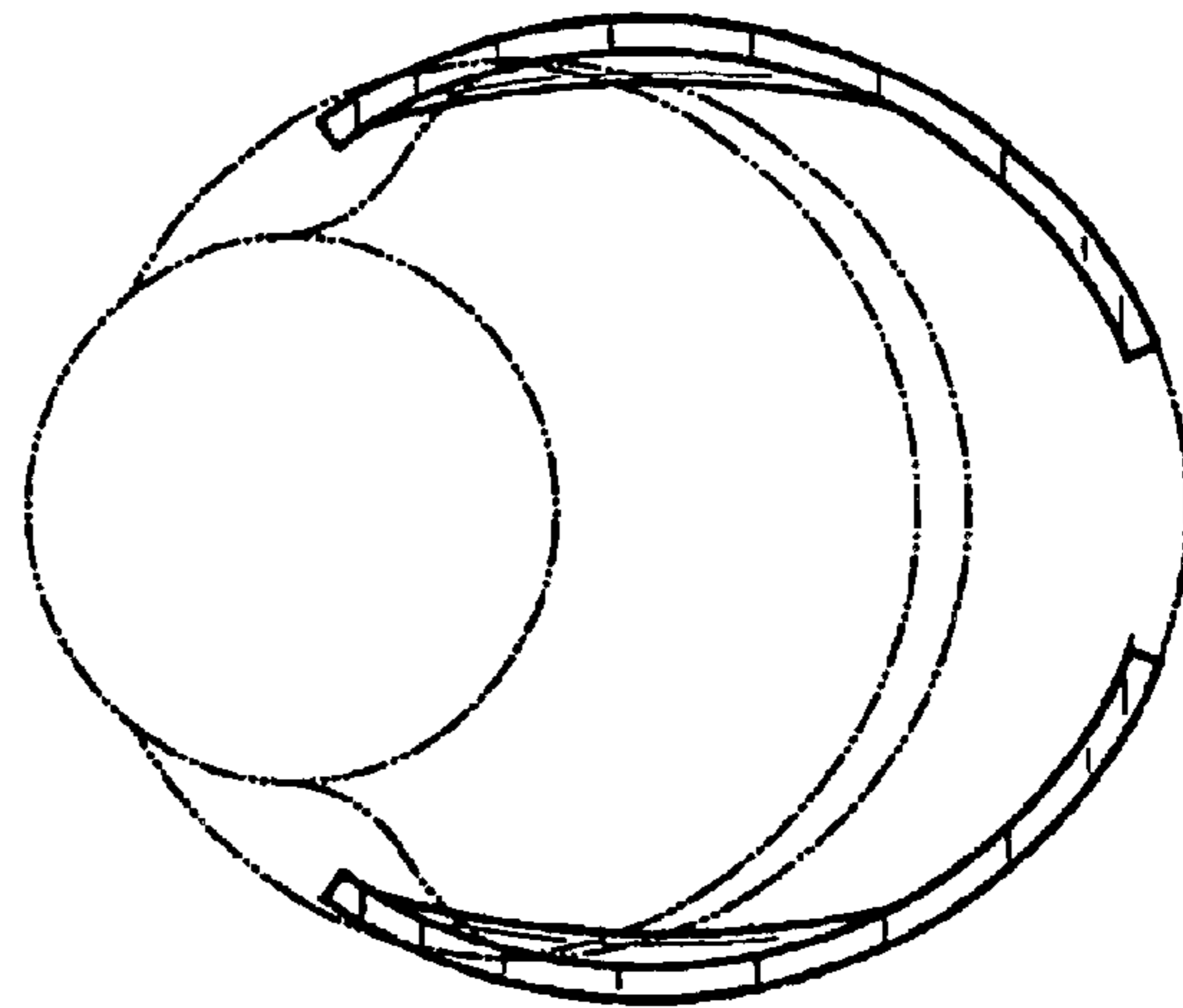


Fig. 5