

US00D499476S

(12) **United States Design Patent** (10) **Patent No.:** **US D499,476 S**
Holderfield et al. (45) **Date of Patent:** **** Dec. 7, 2004**

(54) **AIR CLEANER**

D477,661 S 7/2003 Pinchuk

(75) Inventors: **Greg J. Holderfield**, Oak Park, IL (US); **Randall P. Bell**, River Forest, IL (US)

(73) Assignee: **HoMedics, Inc.**, Commerce Township, MI (US)

(**) Term: **14 Years**

(21) Appl. No.: **29/190,754**

(22) Filed: **Sep. 25, 2003**

(51) **LOC (7) Cl.** **23-04**

(52) **U.S. Cl.** **D23/364**

(58) **Field of Search** D23/355, 364, D23/365; 55/467, 471, 472

(56) **References Cited**

U.S. PATENT DOCUMENTS

- D379,220 S * 5/1997 Ellwood D23/364
- D396,275 S * 7/1998 Pearson D23/355
- D446,577 S 8/2001 Barker et al.
- D449,677 S 10/2001 Denham et al.
- D450,377 S 11/2001 Terpko et al.
- D451,181 S * 11/2001 Miwa D23/364
- D451,182 S 11/2001 Tsuji
- D456,070 S 4/2002 Garman
- D459,458 S * 6/2002 Pillion et al. D23/364
- D462,430 S 9/2002 Christianson
- D462,754 S 9/2002 Briggs et al.
- D465,566 S 11/2002 Briggs et al.
- D468,820 S 1/2003 Smith et al.
- D472,626 S 4/2003 Nakamura
- D472,968 S 4/2003 Christianson
- D475,444 S 6/2003 Laferriere et al.
- D476,068 S 6/2003 Carey et al.

OTHER PUBLICATIONS

Windchaser Ionic Products, HomeWorld Business, Sep. 1-14, 2003.

Queenair Technologies NewAire air purifier, Homeworld Business, Sep. 1-14, 2003.

Holmes tower air purifier, Homeworld Business, Jul. 7-20, 2003.

Hunter air purifiers, Homeworld Business, Mar. 3-16, 2003.

Holmes air purifiers, Homeworld Business, Jan. 20-Feb. 2, 2003.

Honeywell QuietCare air cleaner, Homeworld Business, Jul. 22-Aug. 4, 2002.

Sharper Image Ionic Breeze air purifier, Homeworld Business, Sep. 15-28, 2003.

* cited by examiner

Primary Examiner—Robin V. Taylor

(74) *Attorney, Agent, or Firm*—Brooks Kushman P.C.

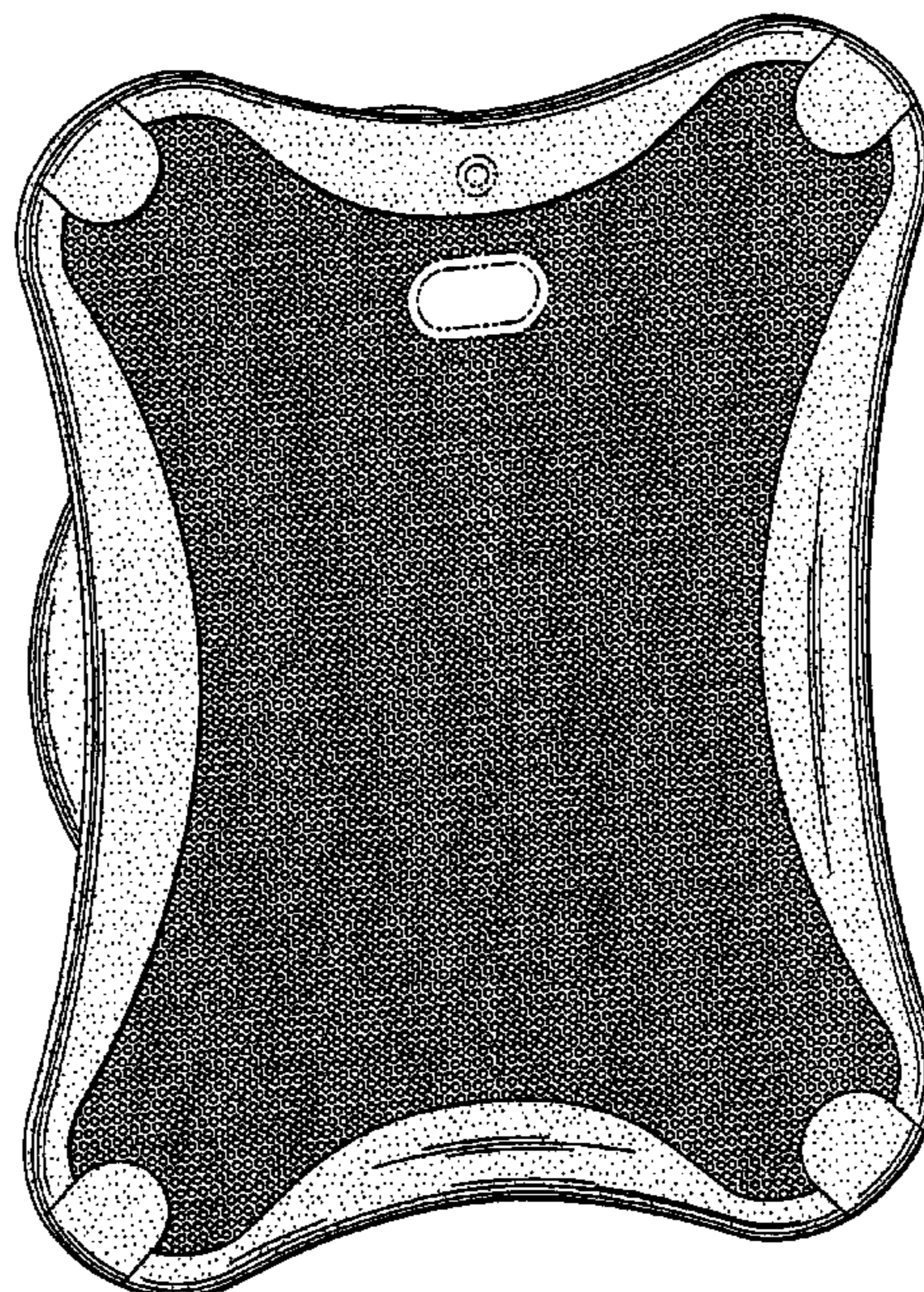
(57) **CLAIM**

The ornamental design for an air cleaner, as shown and described.

DESCRIPTION

FIG. 1 is a perspective view of the air cleaner;
 FIG. 2 is a front elevational view of the air cleaner;
 FIG. 3 is a left side elevational view of the air cleaner, the right side elevational view being a mirror image thereof;
 FIG. 4 is a rear elevational view of the air cleaner;
 FIG. 5 is a top plan view of the air cleaner; and,
 FIG. 6 is a bottom plan view of the air cleaner.
 The broken lines are for illustrative purposes only and form no part of the claimed design.

1 Claim, 4 Drawing Sheets



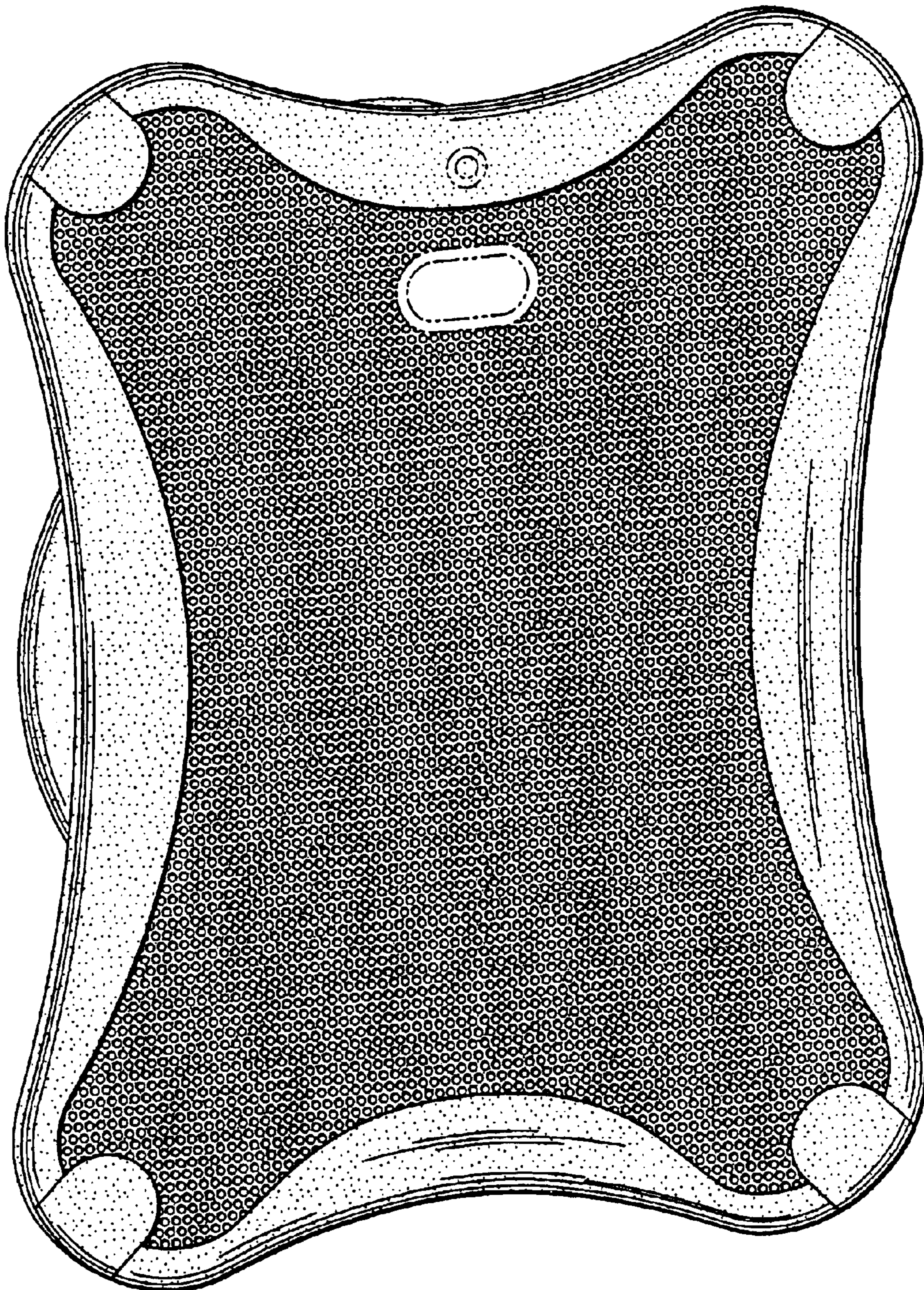


Fig. 1

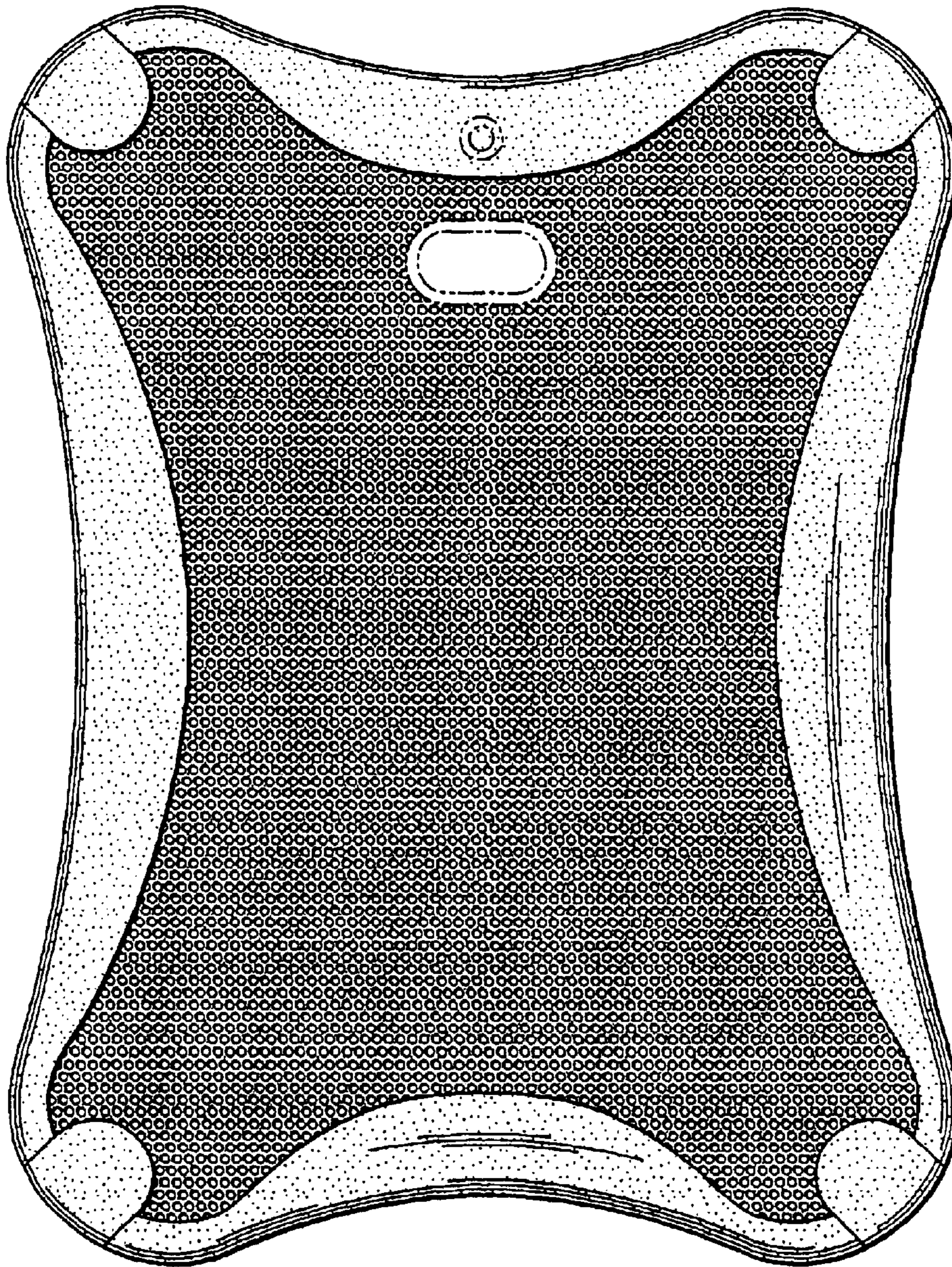


Fig. 2

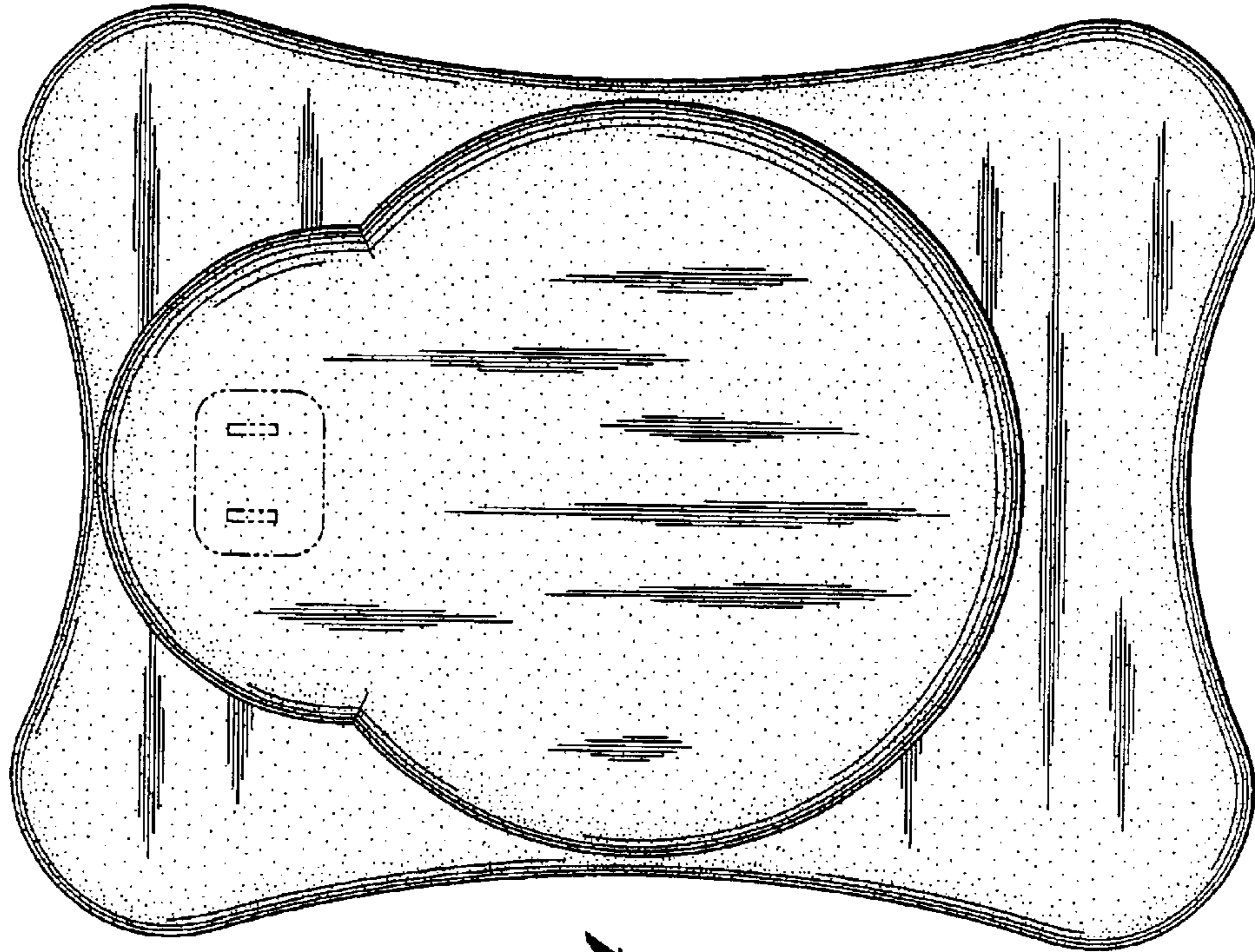


Fig. 4

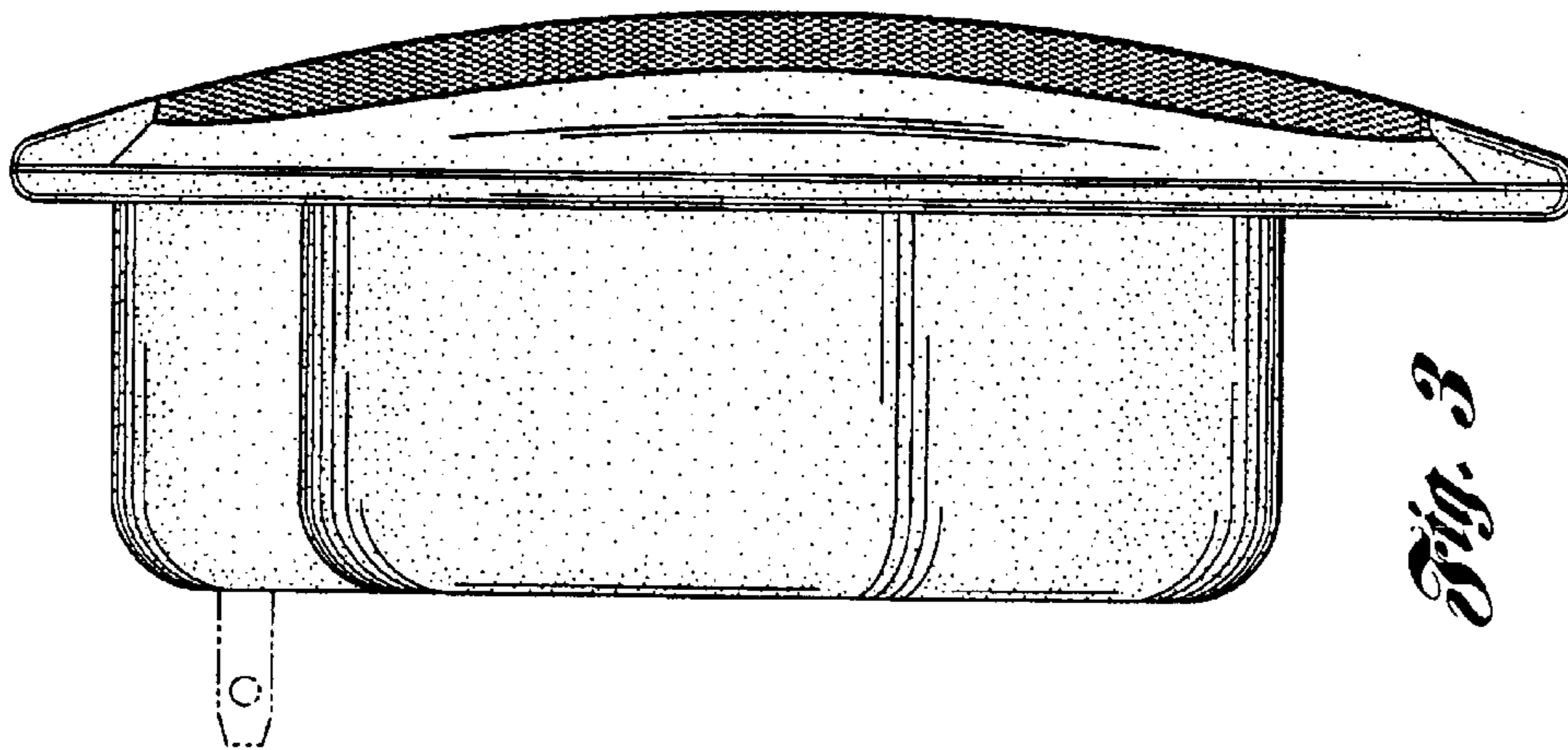


Fig. 3

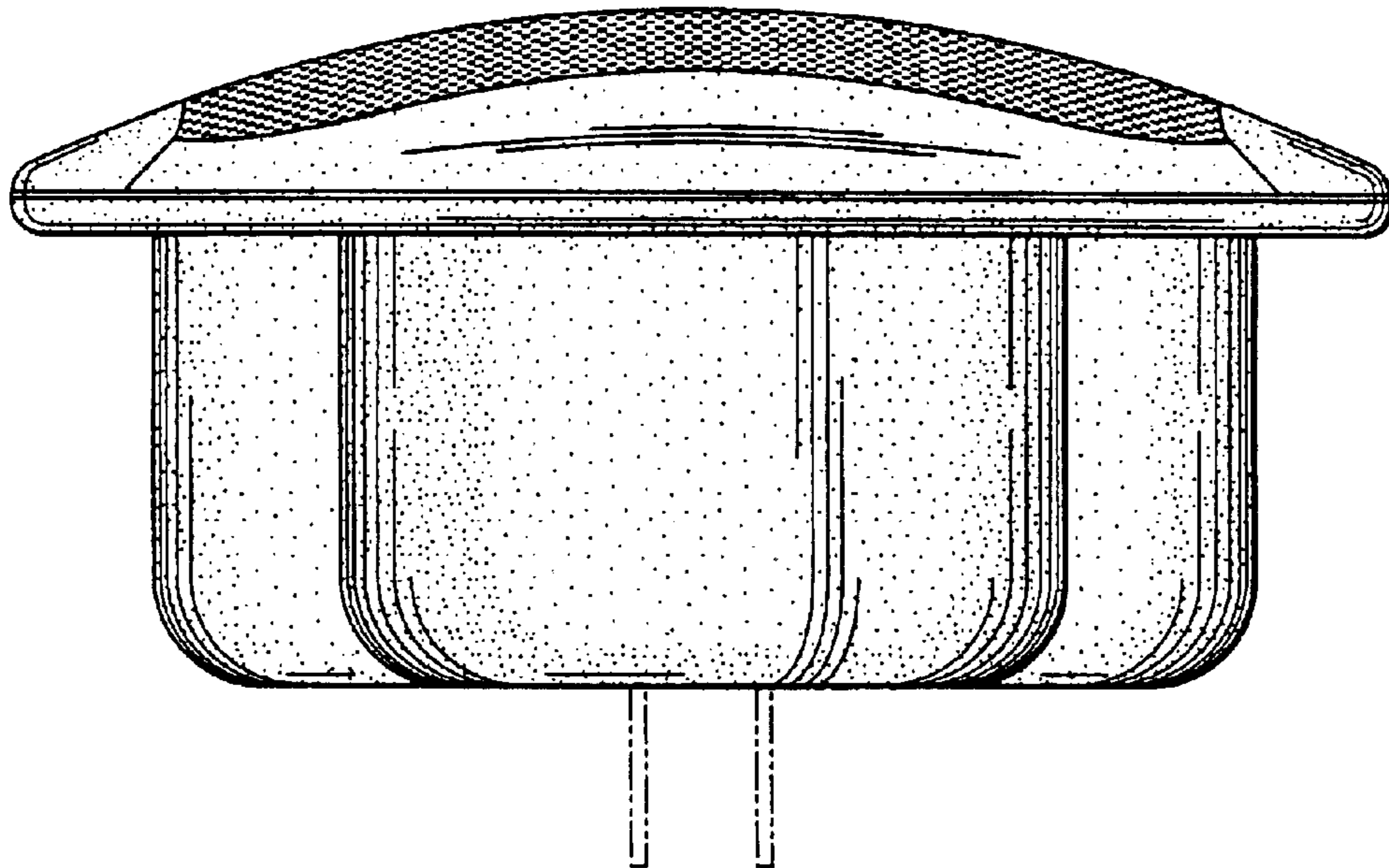


Fig. 5

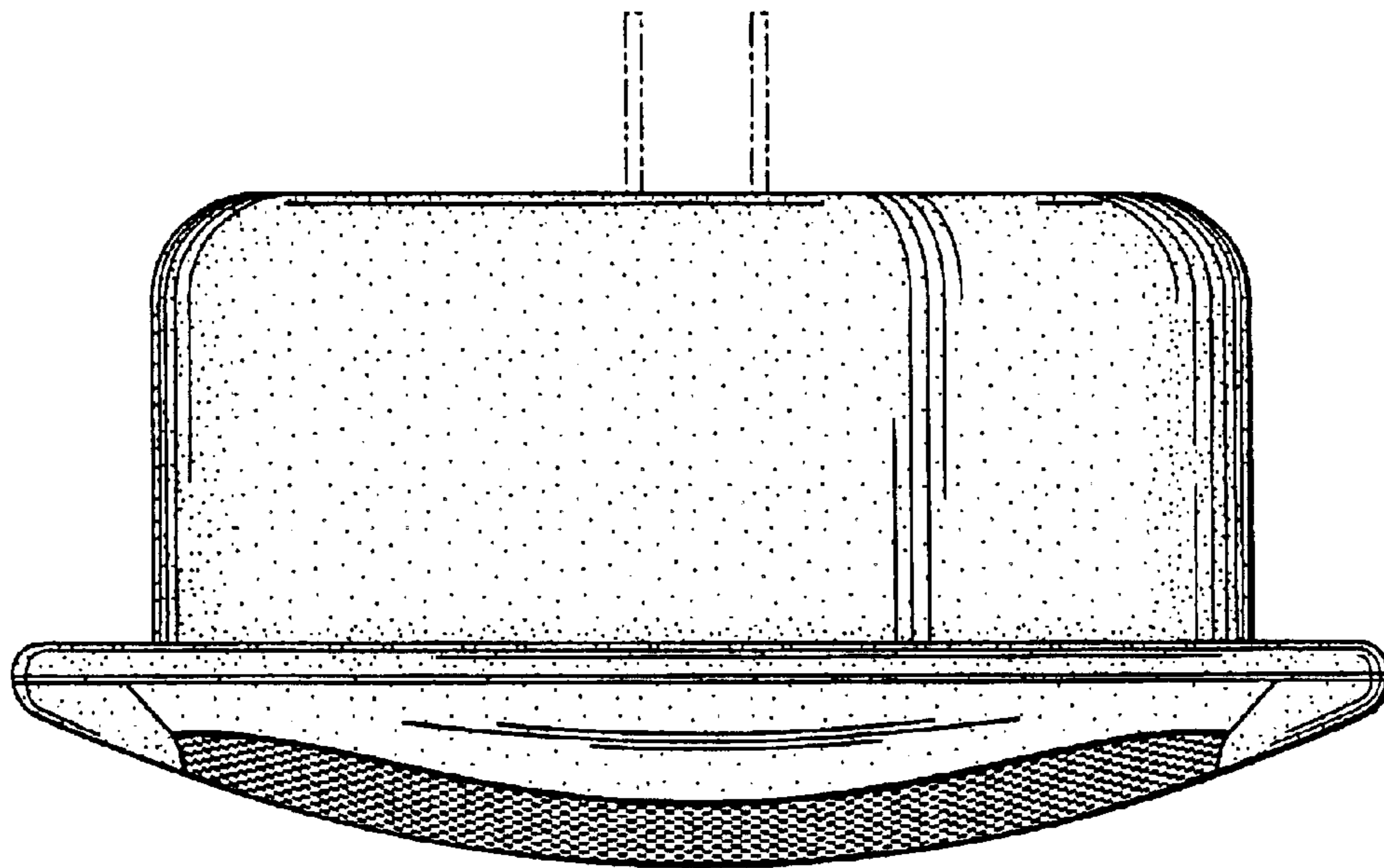


Fig. 6