

US00D499475S

(12) **United States Design Patent**  
**Lehman et al.**

(10) **Patent No.:** **US D499,475 S**  
(45) **Date of Patent:** **\*\* Dec. 7, 2004**

(54) **SPACE HEATER AND HUMIDIFIER**

6,285,829 B1 9/2001 Smith  
D456,499 S 4/2002 Ching  
D471,969 S 3/2003 Krauss

(75) Inventors: **Joseph M. Lehman**, New Albany, OH (US); **Sherry L. Jones**, Pataskala, OH (US); **Michael J. Painter**, Reynoldsburg, OH (US); **Patrick R. Walker**, Pataskala, OH (US)

\* cited by examiner

*Primary Examiner*—Brian N Vinson  
(74) *Attorney, Agent, or Firm*—Roger S. Dybvig

(73) Assignee: **The W. B. Marvin Manufacturing Co.**, Urbana, OH (US)

(57) **CLAIM**

The ornamental design for a space heater and humidifier, as shown and described.

(\*\*) Term: **14 Years**

**DESCRIPTION**

(21) Appl. No.: **29/190,863**

FIG. 1 is an isometric view, as seen from the front, top and left side of a space heater and humidifier showing our new design;

(22) Filed: **Sep. 26, 2003**

FIG. 2 is a front elevational view thereof;

(51) **LOC (7) Cl.** ..... **23-03**

FIG. 3 is a top plan view thereof;

(52) **U.S. Cl.** ..... **D23/340**

FIG. 4 is a left side elevational view thereof; and

(58) **Field of Search** ..... D23/332-341;  
352/432-434, 365-369, 352-353; 312/236,  
244

FIG. 5 is a right side elevational view thereof.

(56) **References Cited**

FIG. 6 is an isometric view, as seen from the front, top and left side of a second embodiment of a space heater and humidifier showing our new design;

**U.S. PATENT DOCUMENTS**

FIG. 7 is a front elevational view thereof;

1,836,253 A	12/1931	Johnson et al.	
D152,062 S	12/1948	Chatfield	
3,105,892 A	10/1963	Knapp	
4,752,423 A	6/1988	Wong	
D308,413 S	6/1990	Wong	
5,381,509 A	1/1995	Mills	
D373,414 S	* 9/1996	Bucher et al.	D23/335
5,652,826 A	7/1997	Mills	
D395,490 S	* 6/1998	Jané et al.	D23/337
D396,526 S	7/1998	Boyle et al.	
5,838,878 A	11/1998	Jane et al.	
D402,742 S	* 12/1998	Chen	D23/335
D428,645 S	* 7/2000	Rossman et al.	D23/341
D429,326 S	* 8/2000	Fok	D23/332

FIG. 8 is a top plan view thereof;

FIG. 9 is a left side elevational view thereof; and,

FIG. 10 is a right side elevational view thereof.

The portion of FIG. 5 shaded to indicate translucency represents a portion of an internal water vessel aligned with a sight opening in the right side of the housing.

The broken lines showing a switch, heater control knobs, a light lens and a fill port cap in FIGS. 6 through 8, the broken lines showing a control knob in FIG. 9, and the broken lines showing a drain, a fill port cap, a portion of a control knob and a sight opening in FIG. 10, are used for illustrative purposes only and form no part of the claimed design.

**1 Claim, 6 Drawing Sheets**

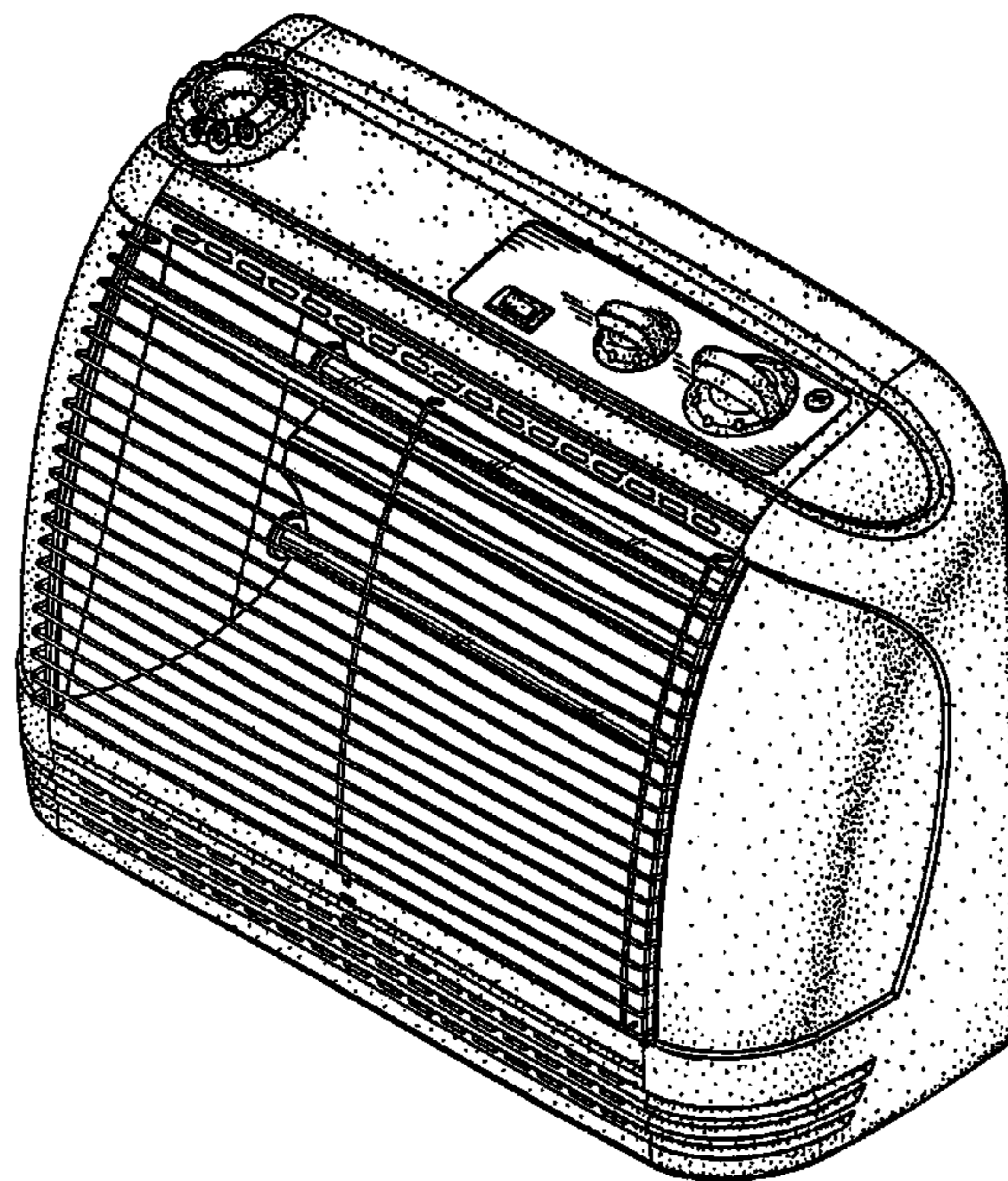


FIG-1

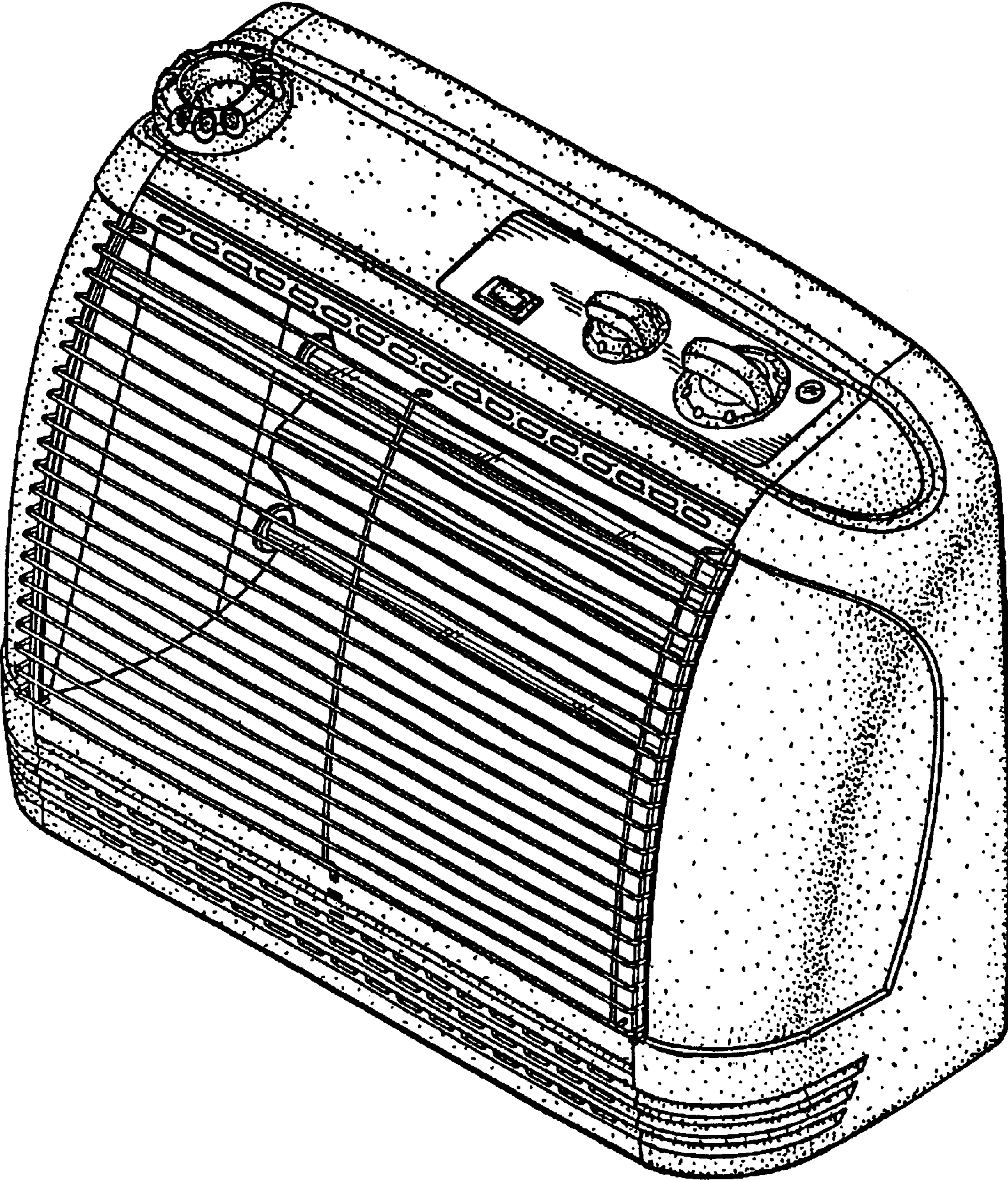


FIG-2

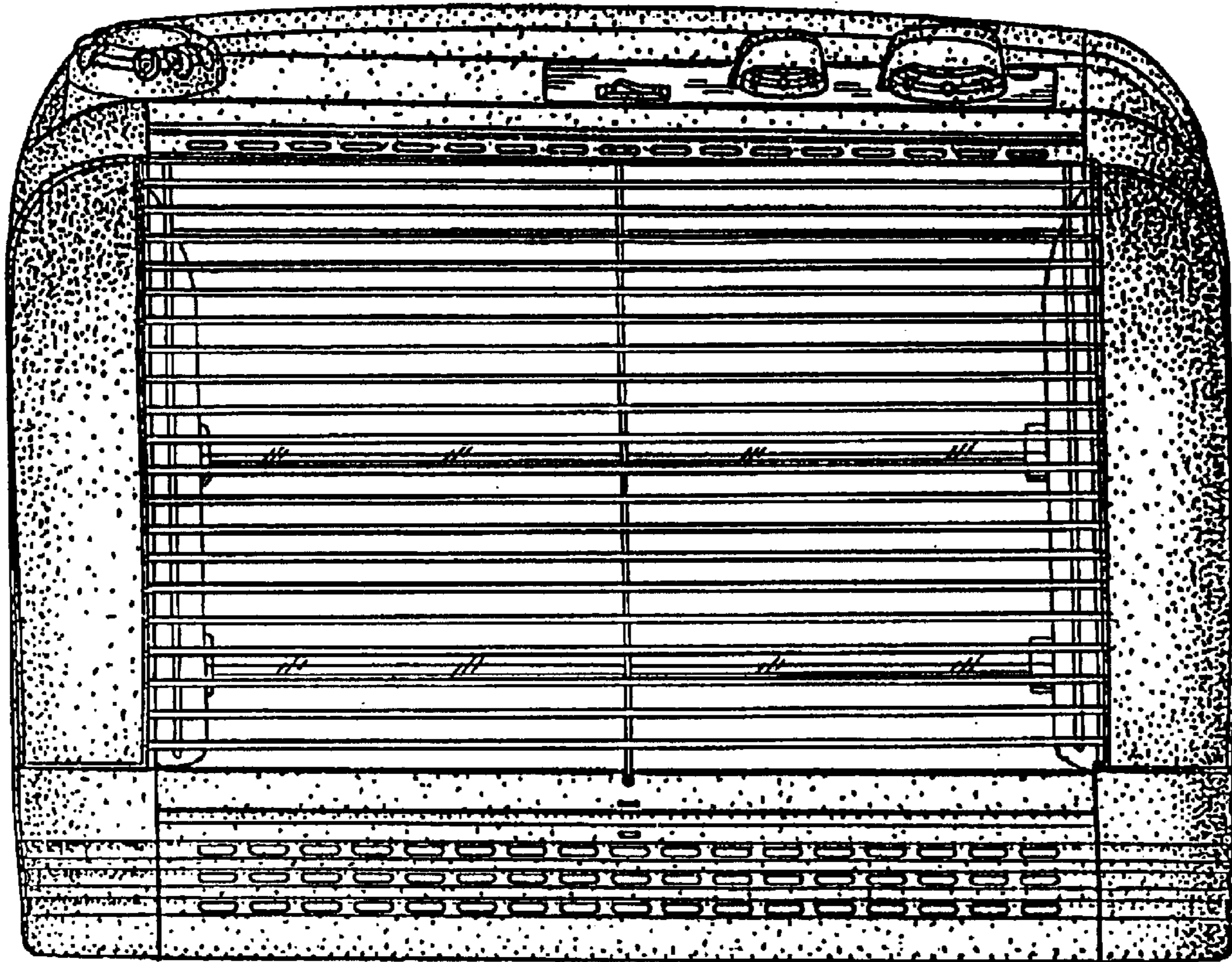


FIG-3

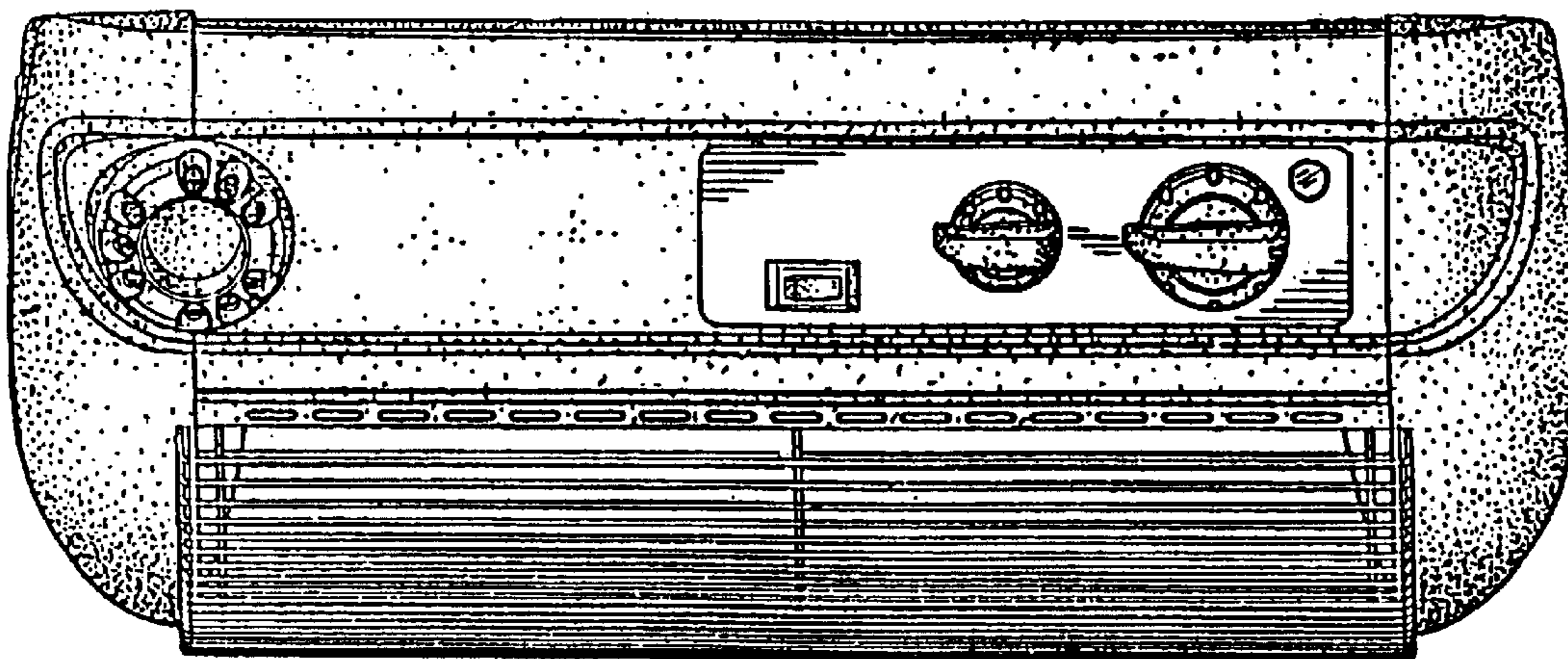


FIG-4

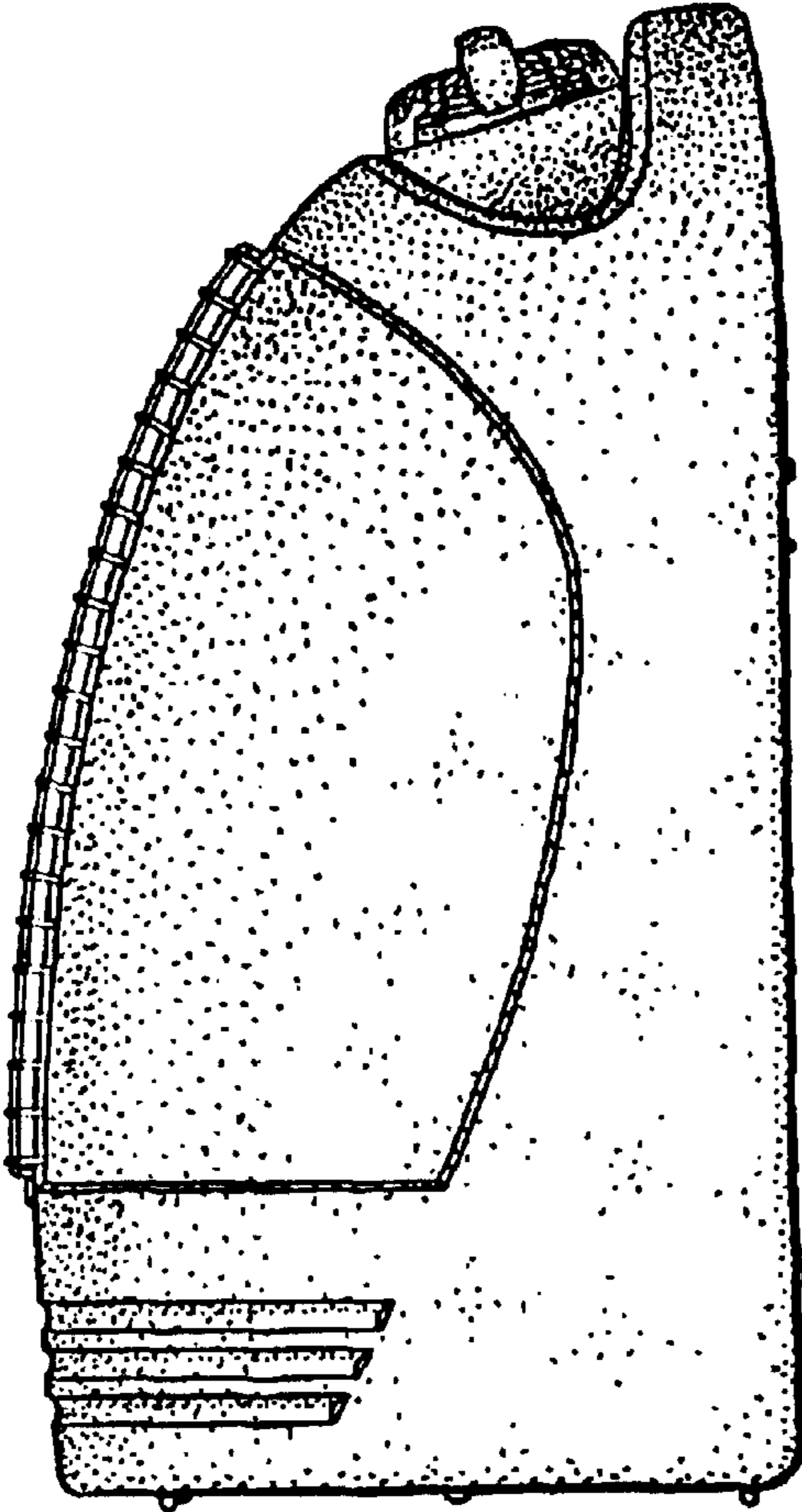


FIG-5

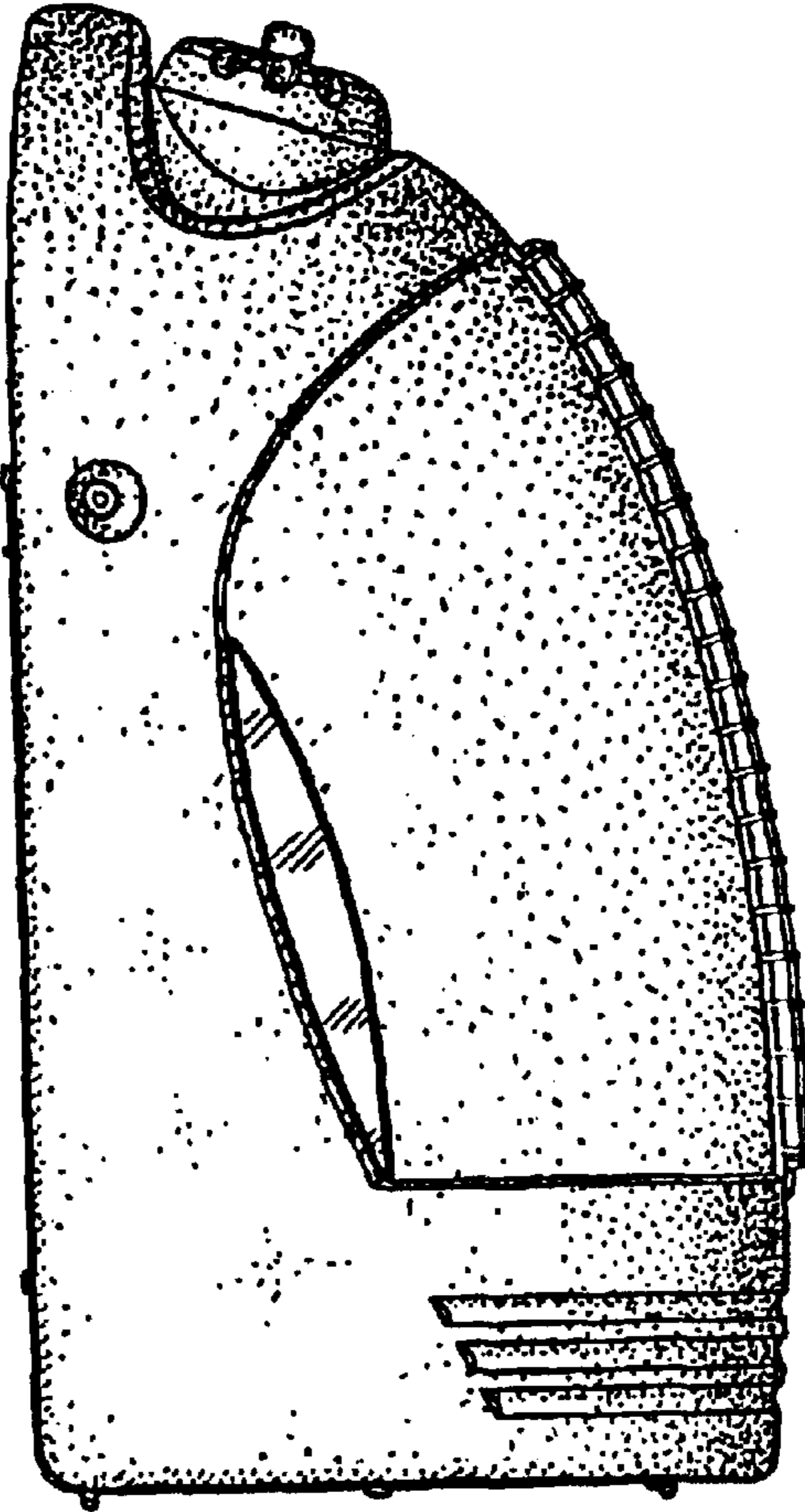


FIG- 6

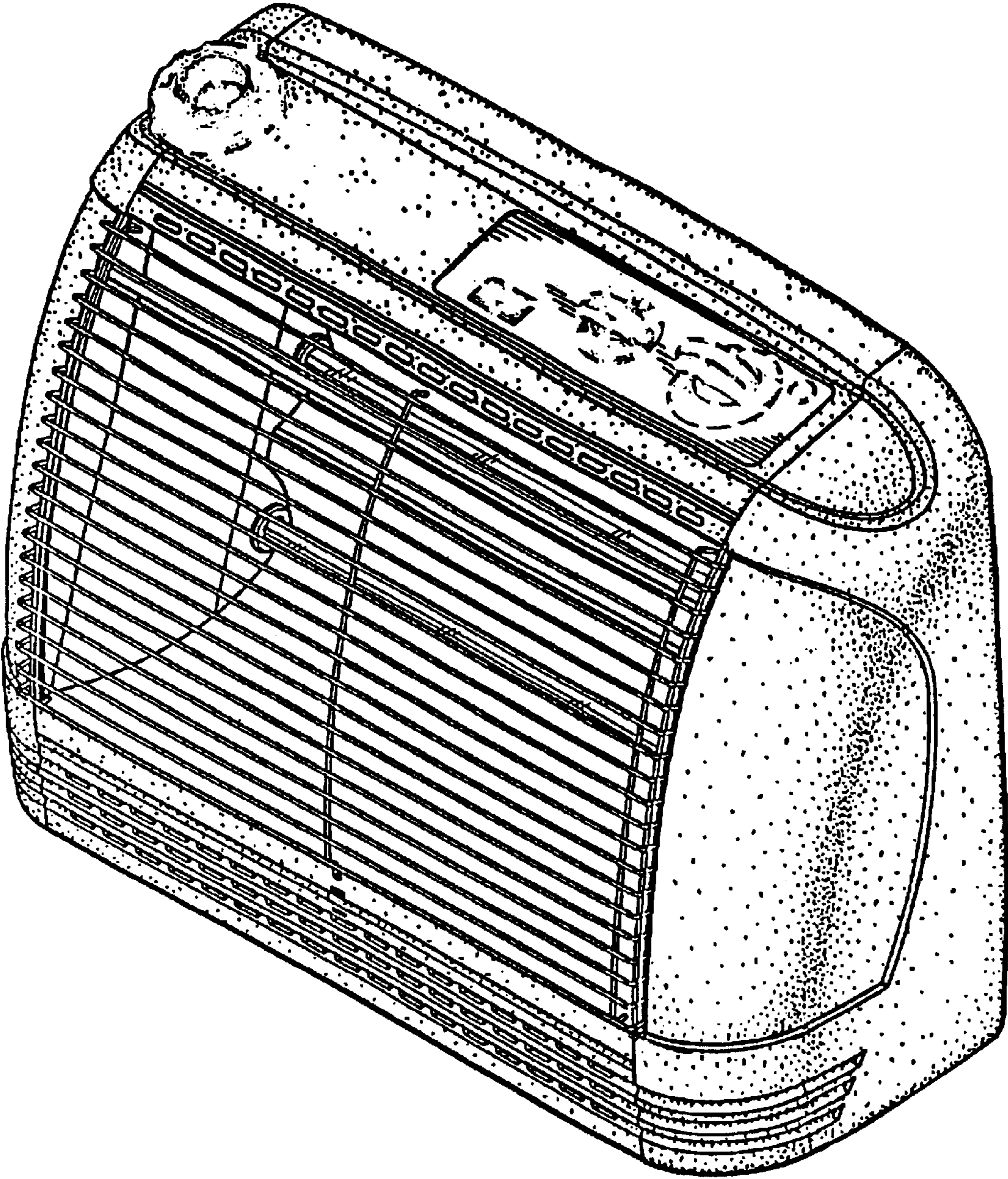


FIG-7

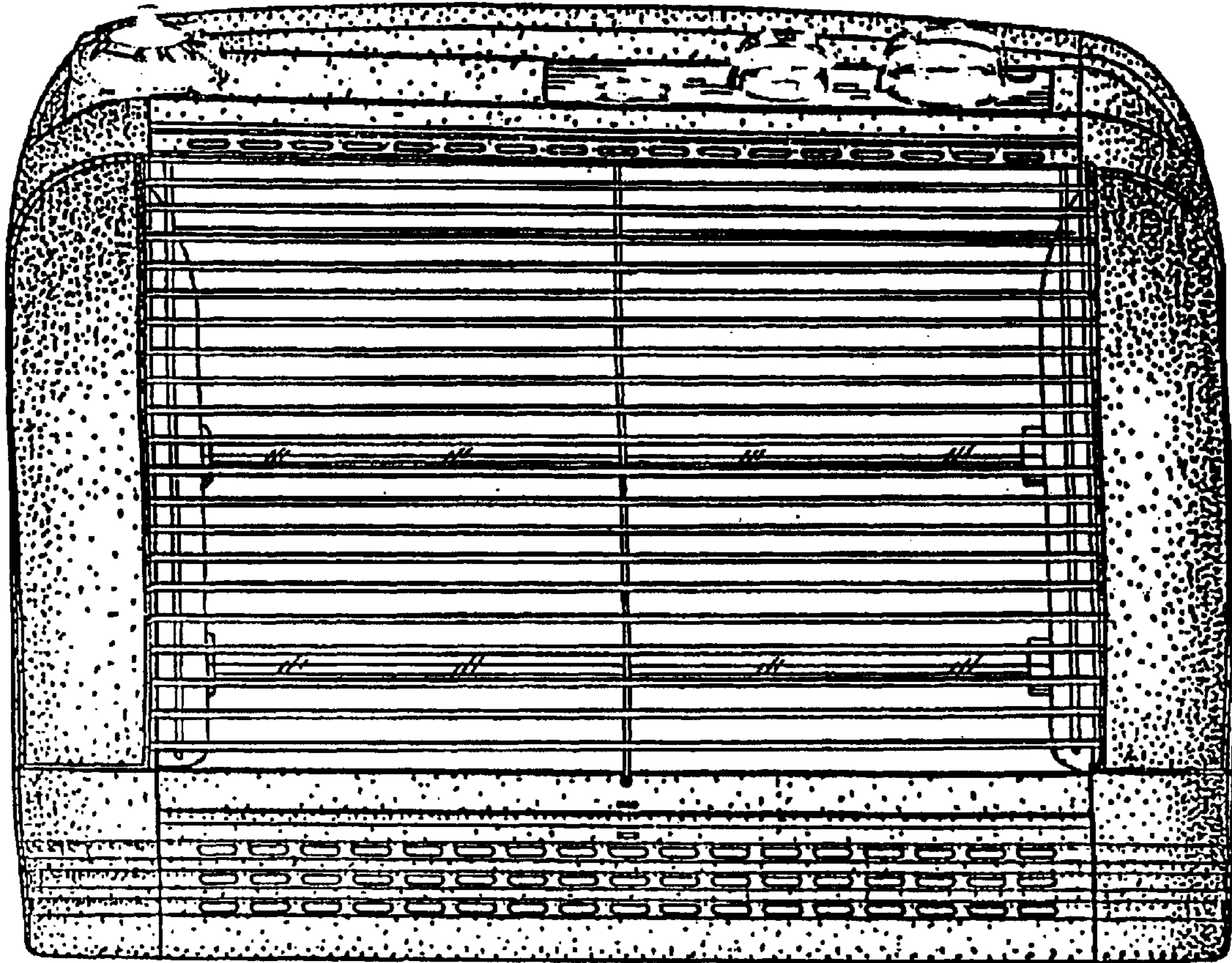


FIG-8

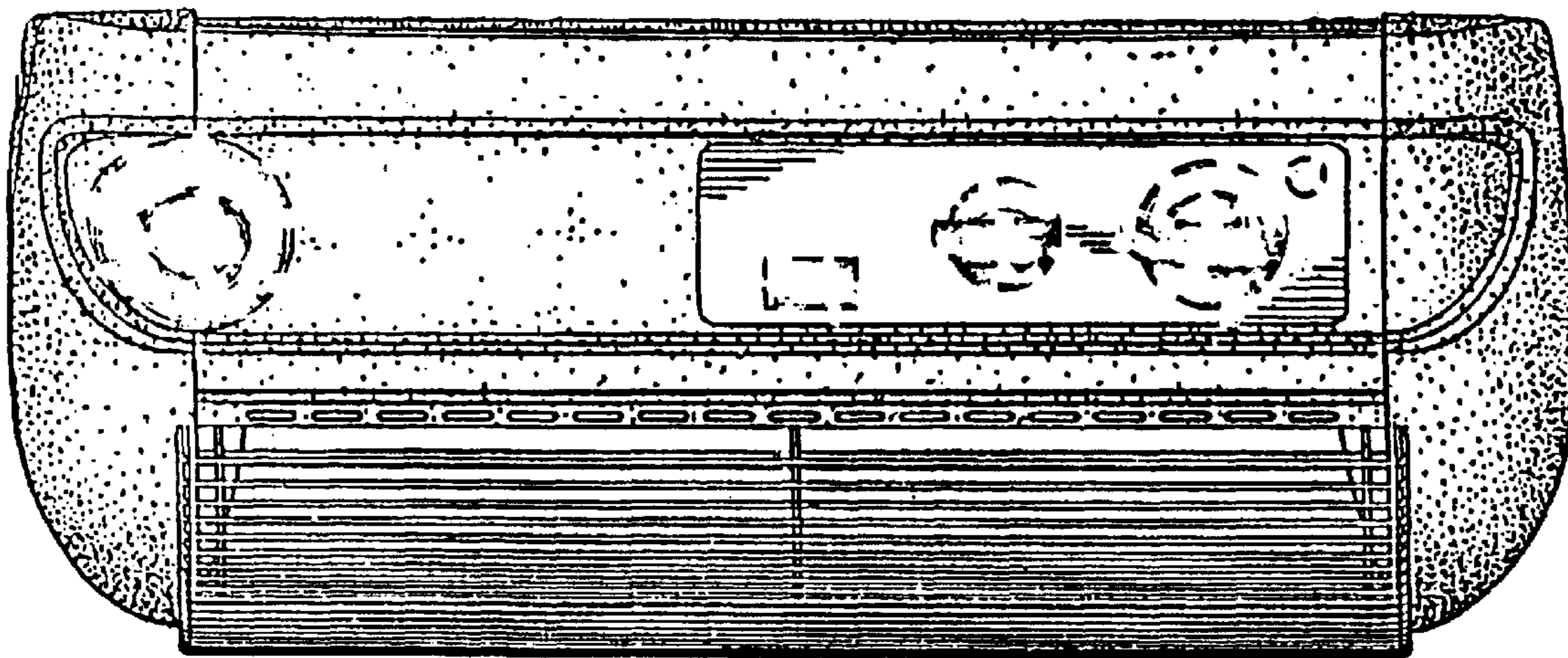


FIG-9

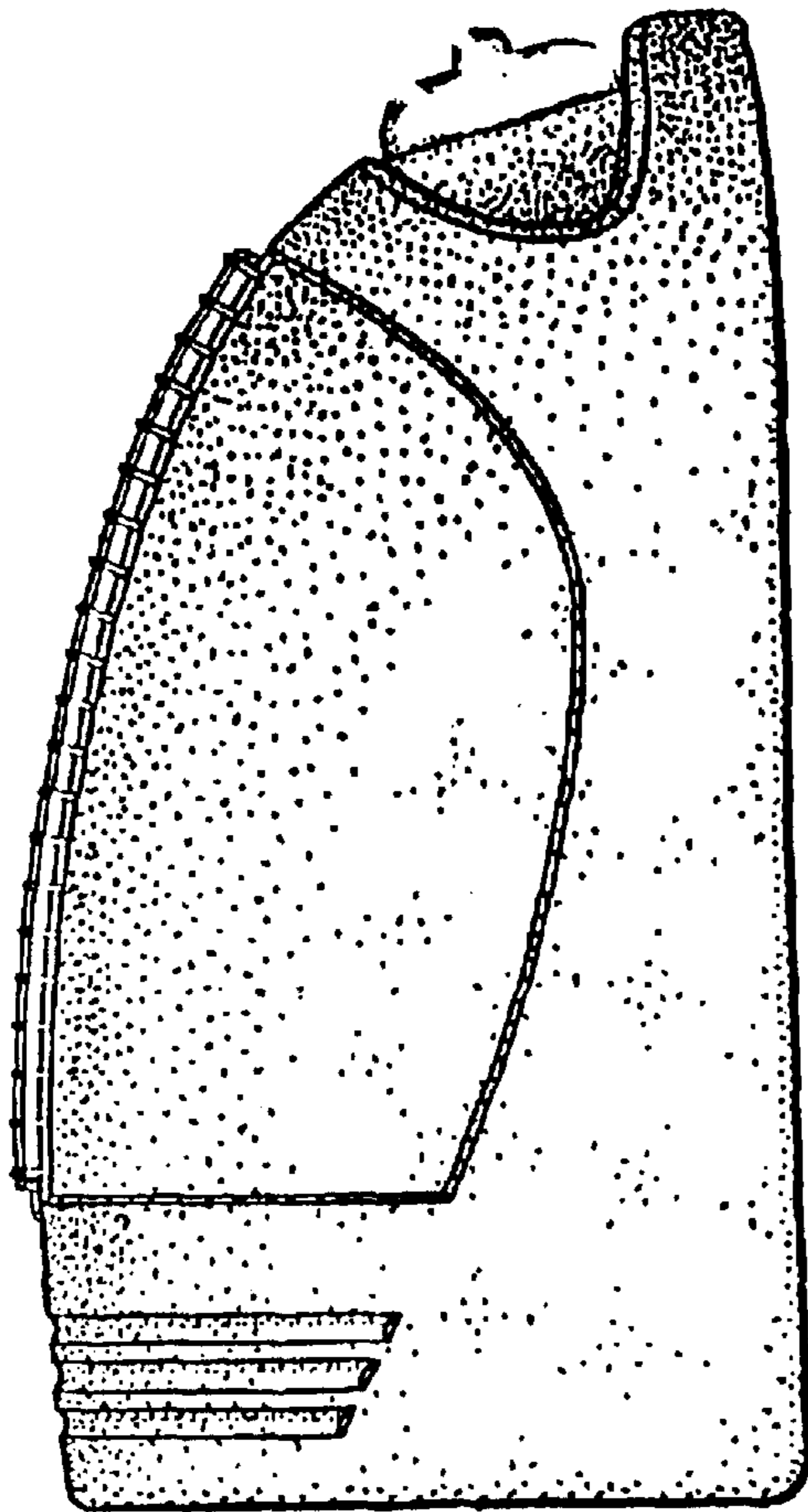


FIG-10

