

US00D499471S

(12) **United States Design Patent** (10) **Patent No.:** **US D499,471 S**
Dimitriadis et al. (45) **Date of Patent:** **** Dec. 7, 2004**

(54) **SHOWER UNIT FOR INSTALLATION IN A CORNER**

(75) Inventors: **Andreas Dimitriadis**, Lorch (DE); **Andreas Haug**, Stuttgart (DE); **Tom Schönherr**, Stuttgart (DE); **Peter Kolin**, Schwäbisch-Gmünd (DE)

(73) Assignee: **Hansgrohe AG**, Schiltach (DE)

(**) Term: **14 Years**

(21) Appl. No.: **29/175,399**

(22) Filed: **Feb. 3, 2003**

(30) **Foreign Application Priority Data**

Aug. 3, 2002 (DE) 402 06 460

(51) **LOC (7) Cl.** **23-02**

(52) **U.S. Cl.** **D23/304**

(58) **Field of Search** D23/270, 275, D23/279, 283, 303, 304; 4/552, 605, 596-597, 615

(56) **References Cited**

U.S. PATENT DOCUMENTS

D480,458 S * 10/2003 Dimitriadis et al. D23/304

OTHER PUBLICATIONS

Grohetec catalog, one page, Mar., 1999.

ALU brochure by Paleo S.n.c., three pages, Mar., 2002.

* cited by examiner

Primary Examiner—Robert A. Delehanty

(74) *Attorney, Agent, or Firm*—Duane Morris LLP

(57) **CLAIM**

The ornamental design for a shower unit for installation in a corner, as shown and described.

DESCRIPTION

FIG. 1: is a side perspective view of the shower unit for installation in a corner showing our new design;

FIG. 2: is a top plan view thereof;

FIG. 3: is a bottom plan view thereof;

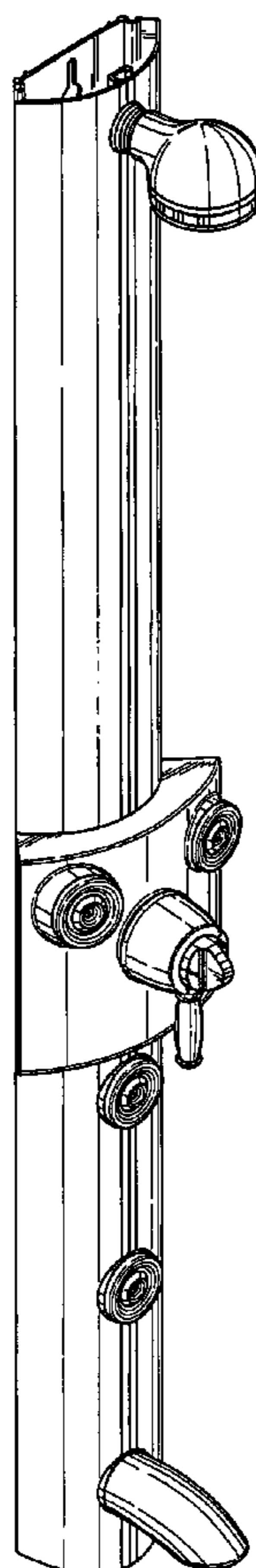
FIG. 4: is a front elevation view thereof;

FIG. 5: is a side elevation view thereof;

FIG. 6: is a rear elevation view thereof; and,

FIG. 7: is the opposite side elevation view thereof.

1 Claim, 3 Drawing Sheets



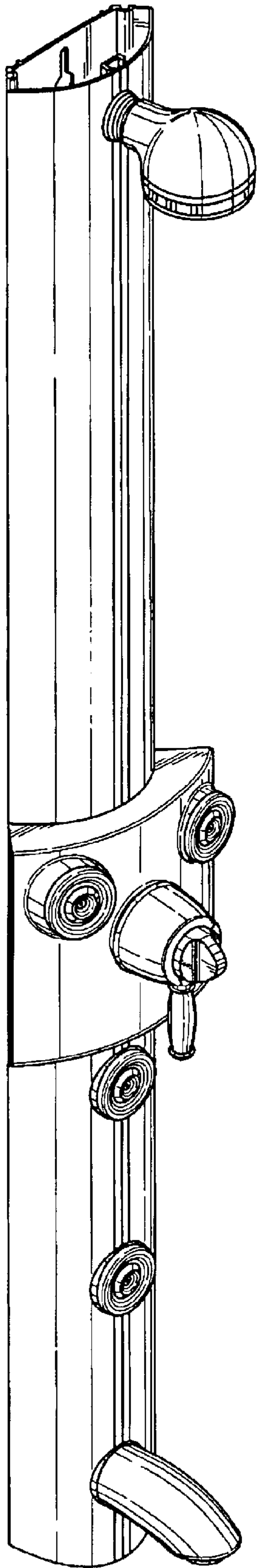


FIG. 1

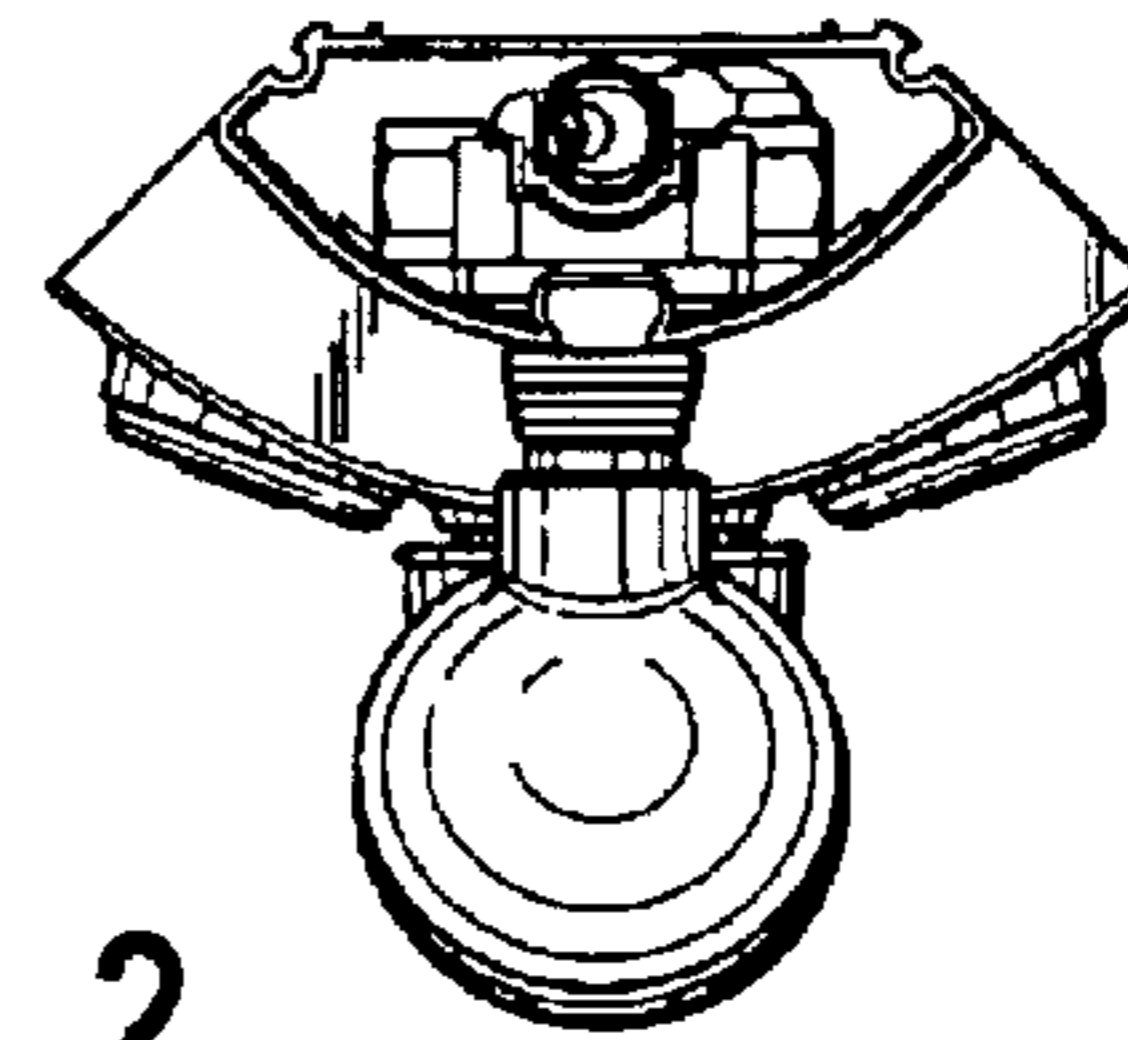


FIG. 2

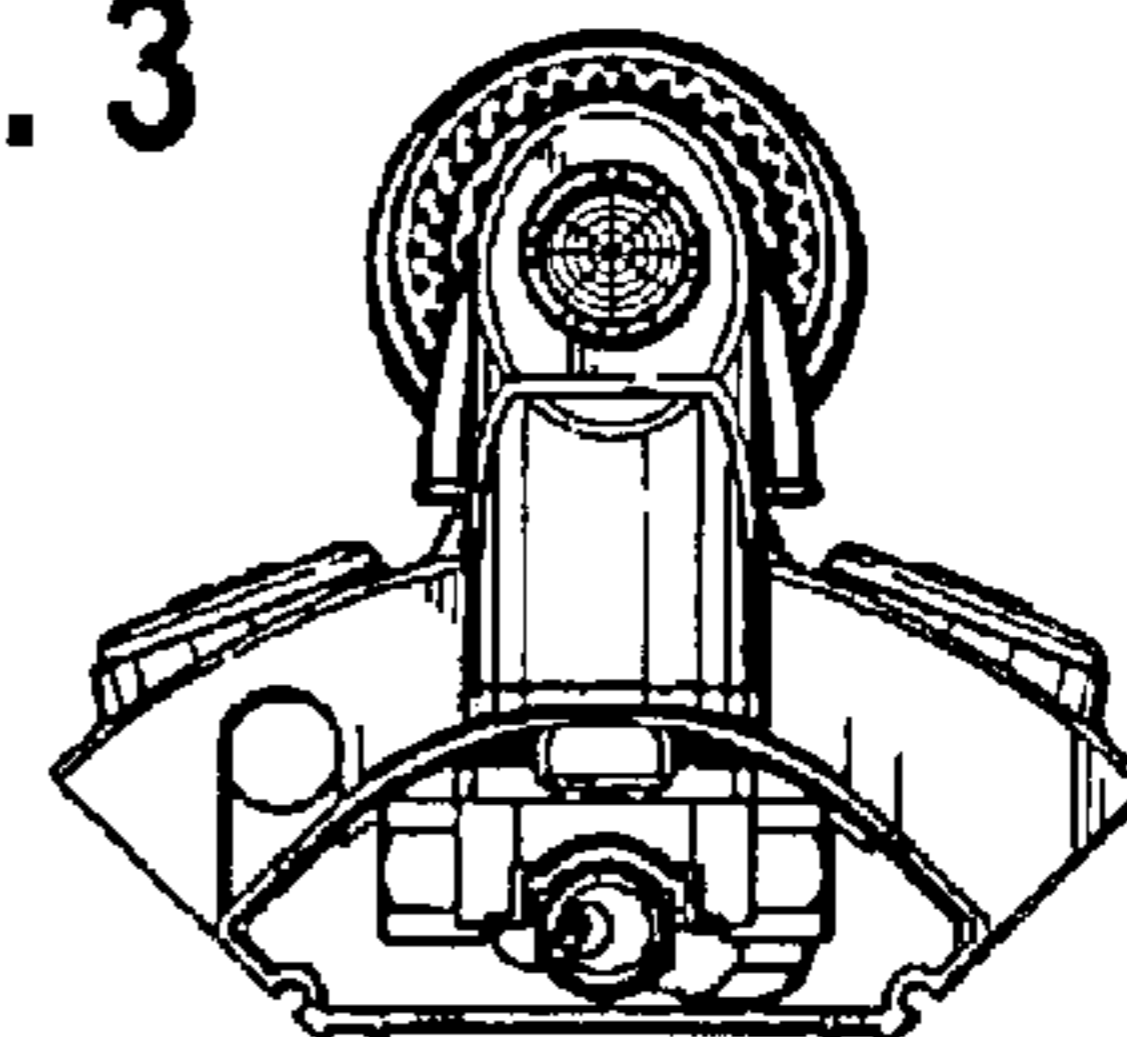


FIG. 3

FIG. 4

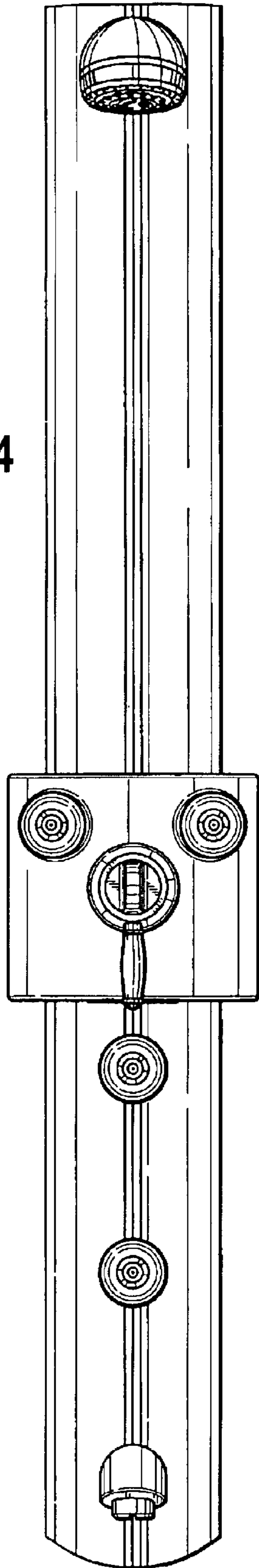


FIG. 5

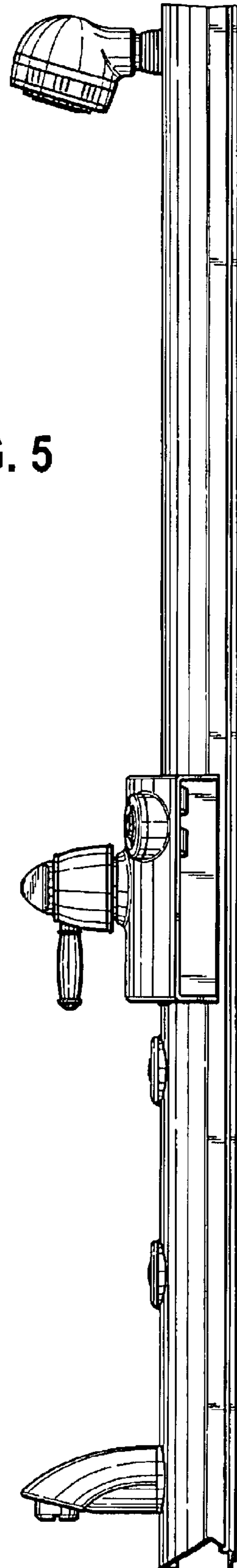


FIG. 6

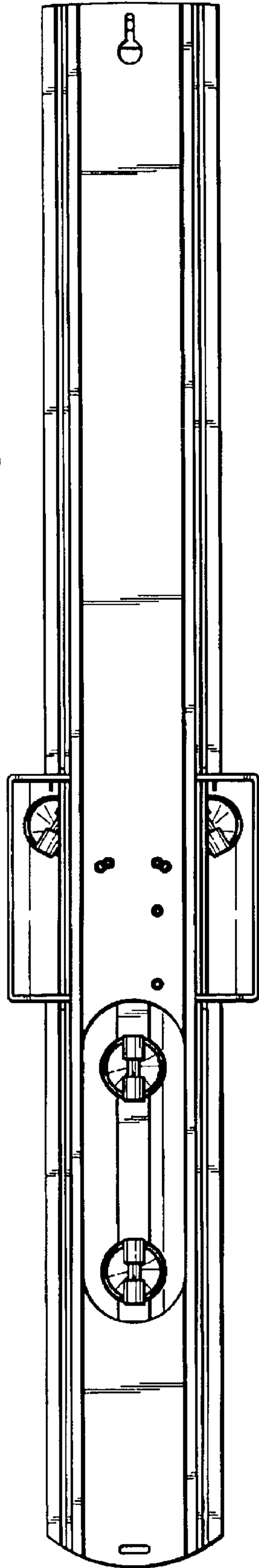


FIG. 7

