

US00D499470S

(12) **United States Design Patent**  
**Garza**

(10) **Patent No.:** **US D499,470 S**

(45) **Date of Patent:** **\*\* Dec. 7, 2004**

(54) **WASHSTAND WITH PEDESTAL**

(76) **Inventor:** **Marcelo Garza Lagüera Garza,**  
Acambaro No. 459, Colonia Ciudad  
Industrial, C.P. 36541, Irapuato, Gto  
(MX)

(\*\*) **Term:** **14 Years**

(21) **Appl. No.:** **29/191,169**

(22) **Filed:** **Oct. 2, 2003**

(51) **LOC (7) Cl.** ..... **23-02**

(52) **U.S. Cl.** ..... **D23/292**

(58) **Field of Search** ..... D23/271, 273,  
D23/284-287, 289-292, 293.1, 303, 308;  
4/663-665, 619, 661, 630-636, 645-646,  
648, 650-652, 638, 643

(56) **References Cited**

**U.S. PATENT DOCUMENTS**

D258,079 S	*	1/1981	Primault	.....	D23/292
D274,164 S	*	6/1984	Enthoven	.....	D23/292
D360,934 S	*	8/1995	Bertoli	.....	D23/292
D396,271 S	*	7/1998	Garza	.....	D23/292
D408,898 S	*	4/1999	Kaiser	.....	D23/284

\* cited by examiner

*Primary Examiner*—Robert A. Delehanty  
(74) *Attorney, Agent, or Firm*—Bracewell & Patterson,  
L.L.P.

(57) **CLAIM**

The ornamental design for a washstand with pedestal, as shown.

**DESCRIPTION**

FIG. 1 is an isometric view showing the ornamental design for a washstand with pedestal according to the present invention.

FIG. 2 is plan view of the washstand with pedestal of FIG. 1.

FIG. 3 is a front elevation view of the washstand with pedestal of FIG. 1.

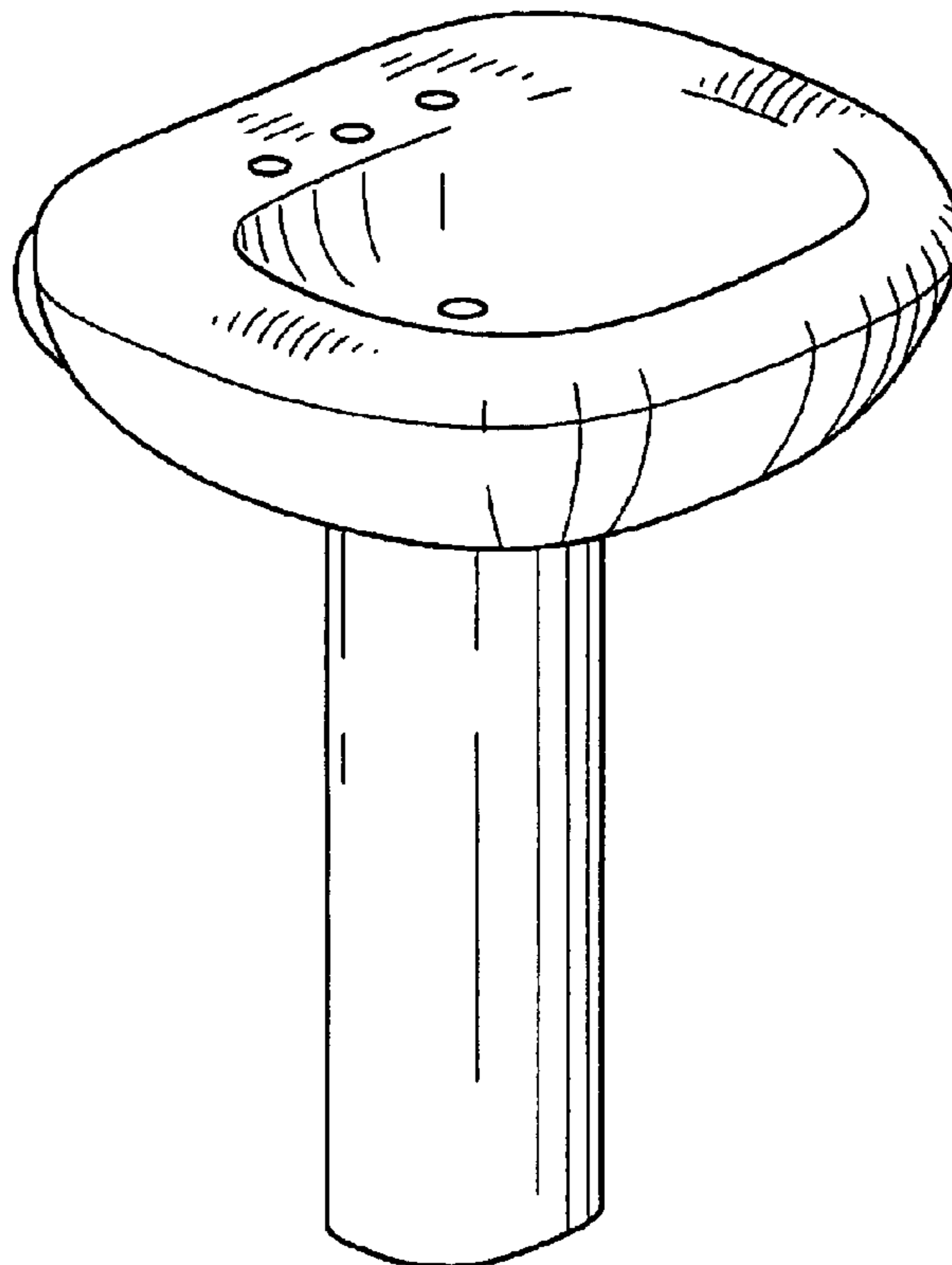
FIG. 4 is a right side elevation view of the washstand with pedestal of FIG. 1.

FIG. 5 is a left side elevation of the washstand with pedestal of FIG. 1; and,

FIG. 6 is another isometric view of the washstand with pedestal of FIG. 1.

The rear and bottom views of the washstand with pedestal of FIG. 1 are plain and unornamental.

**1 Claim, 2 Drawing Sheets**



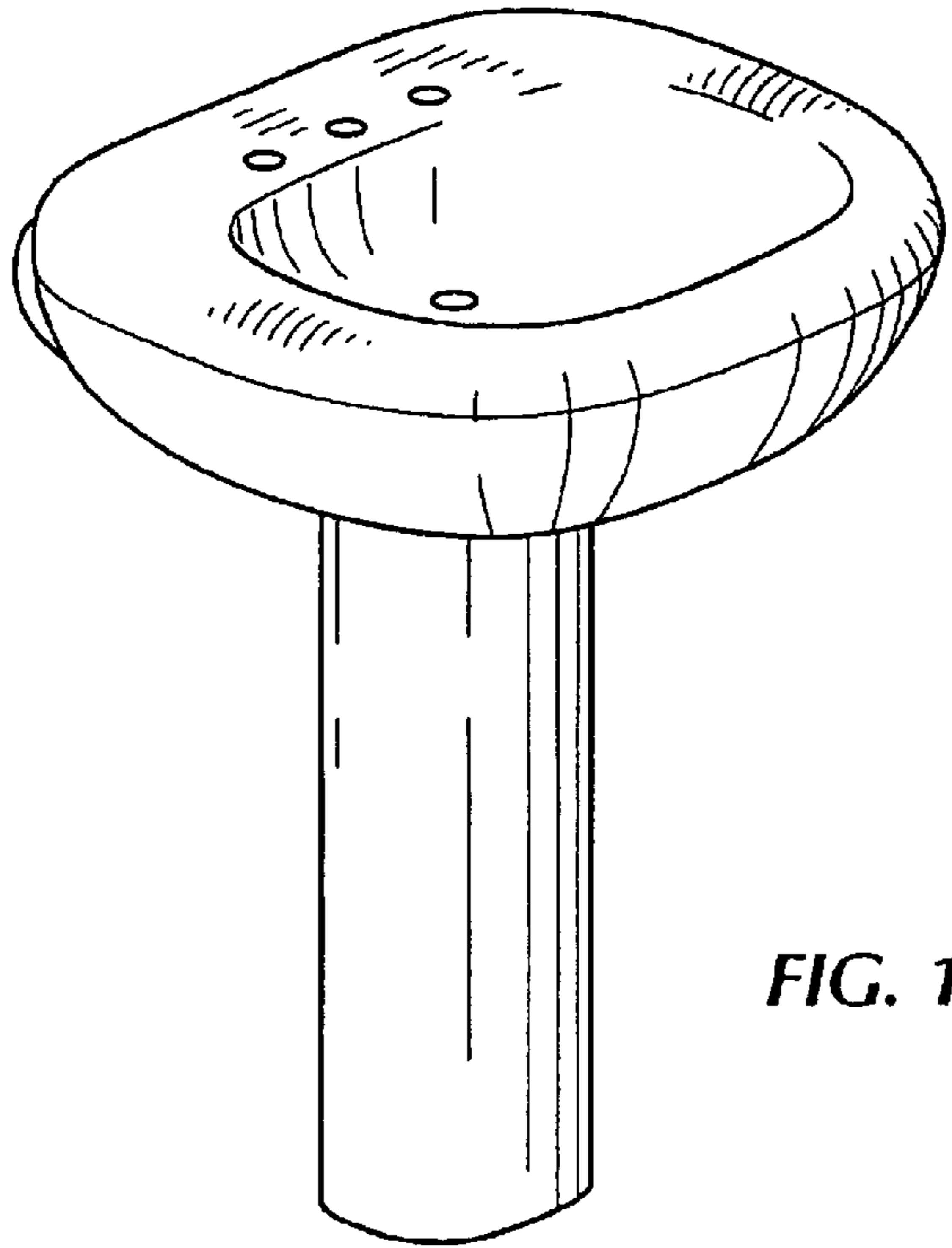


FIG. 1

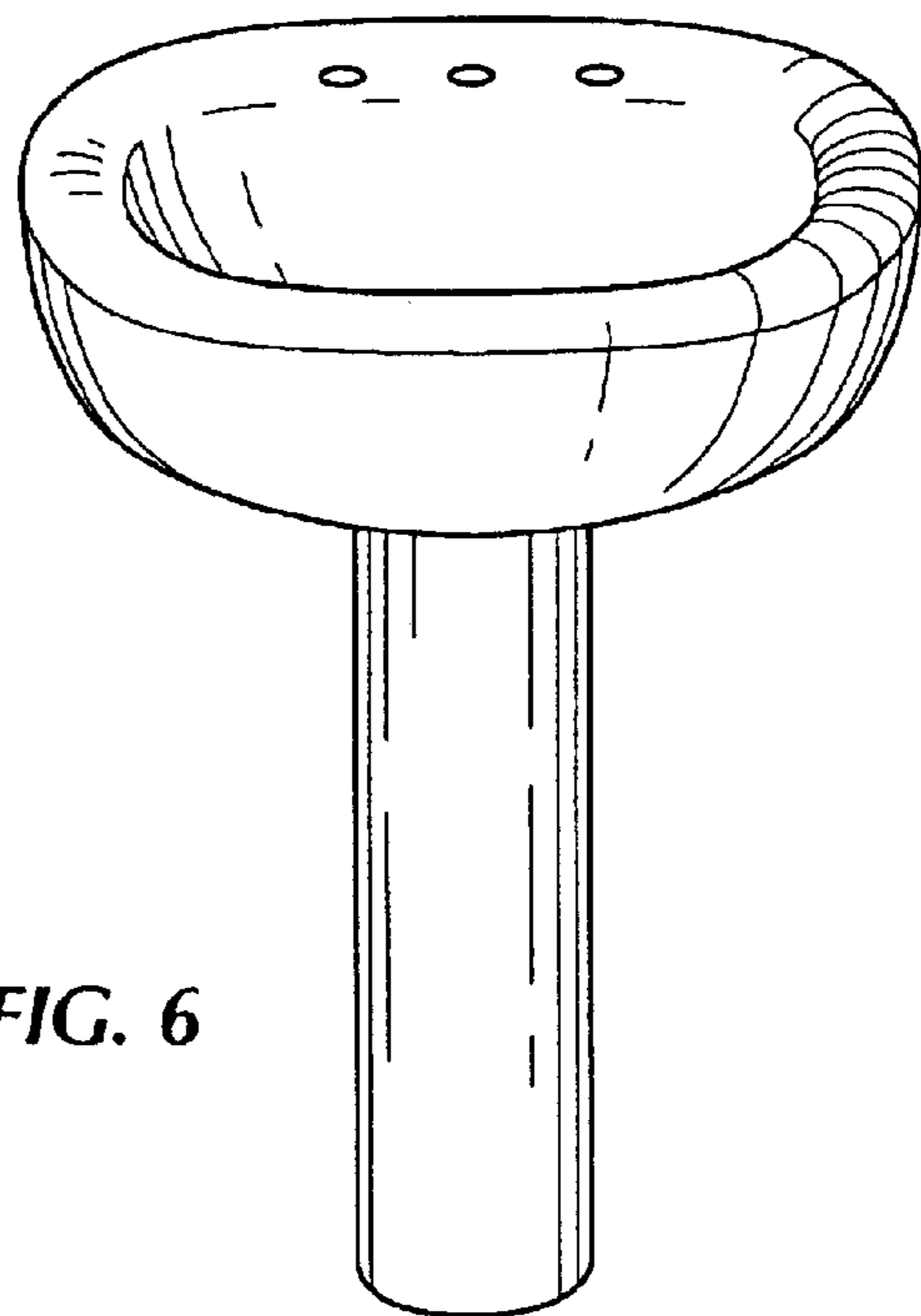


FIG. 6

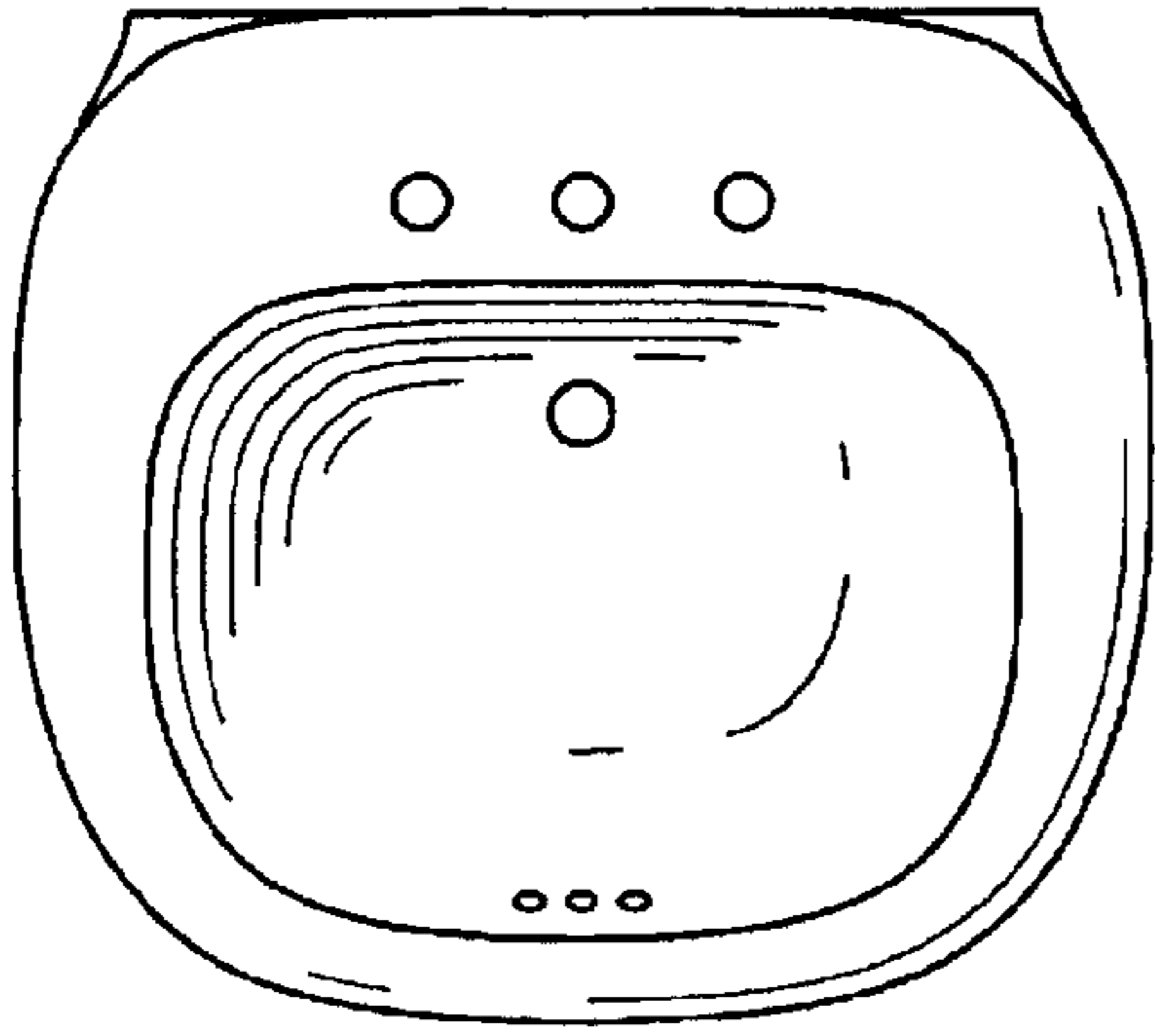


FIG. 2

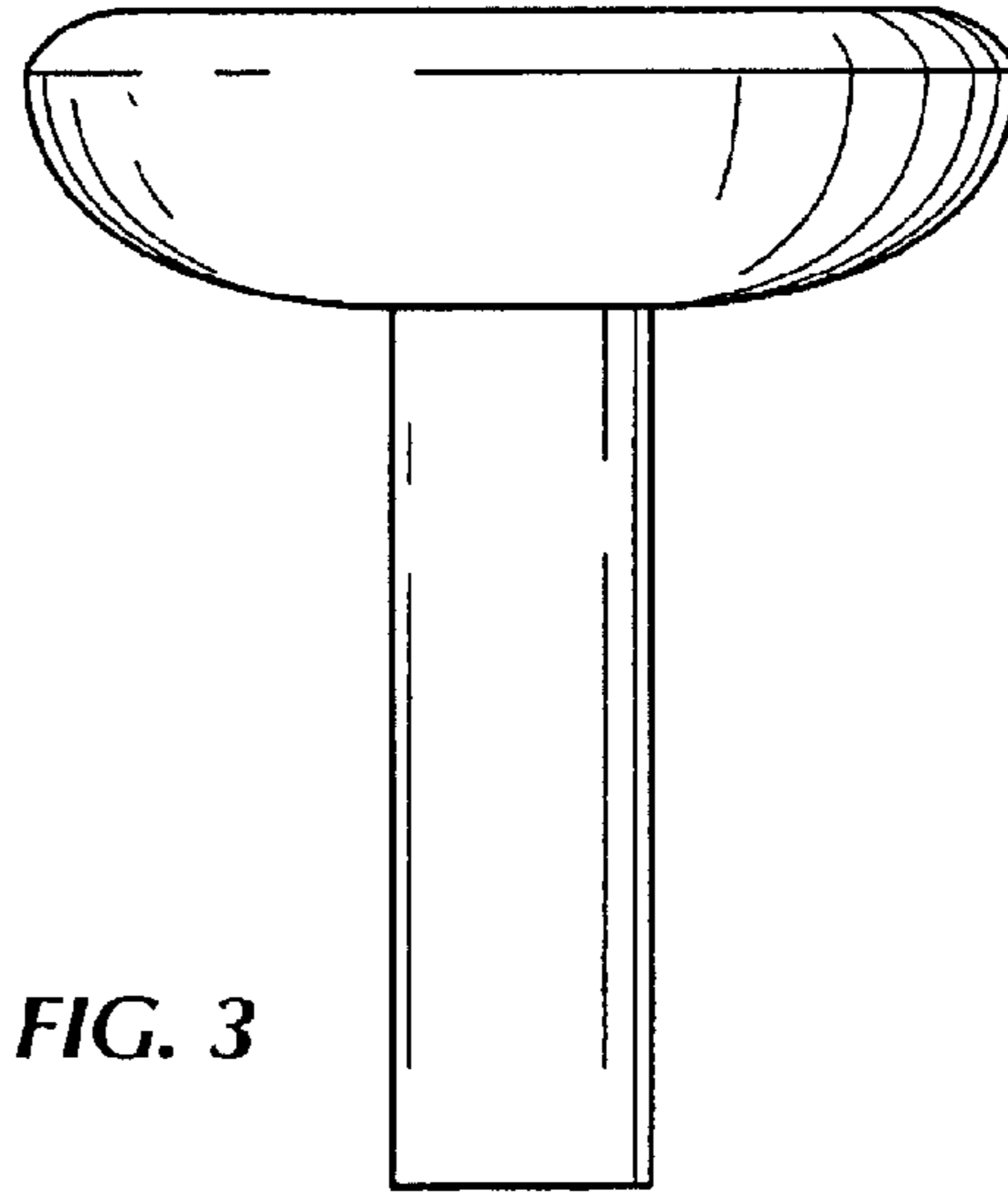


FIG. 3

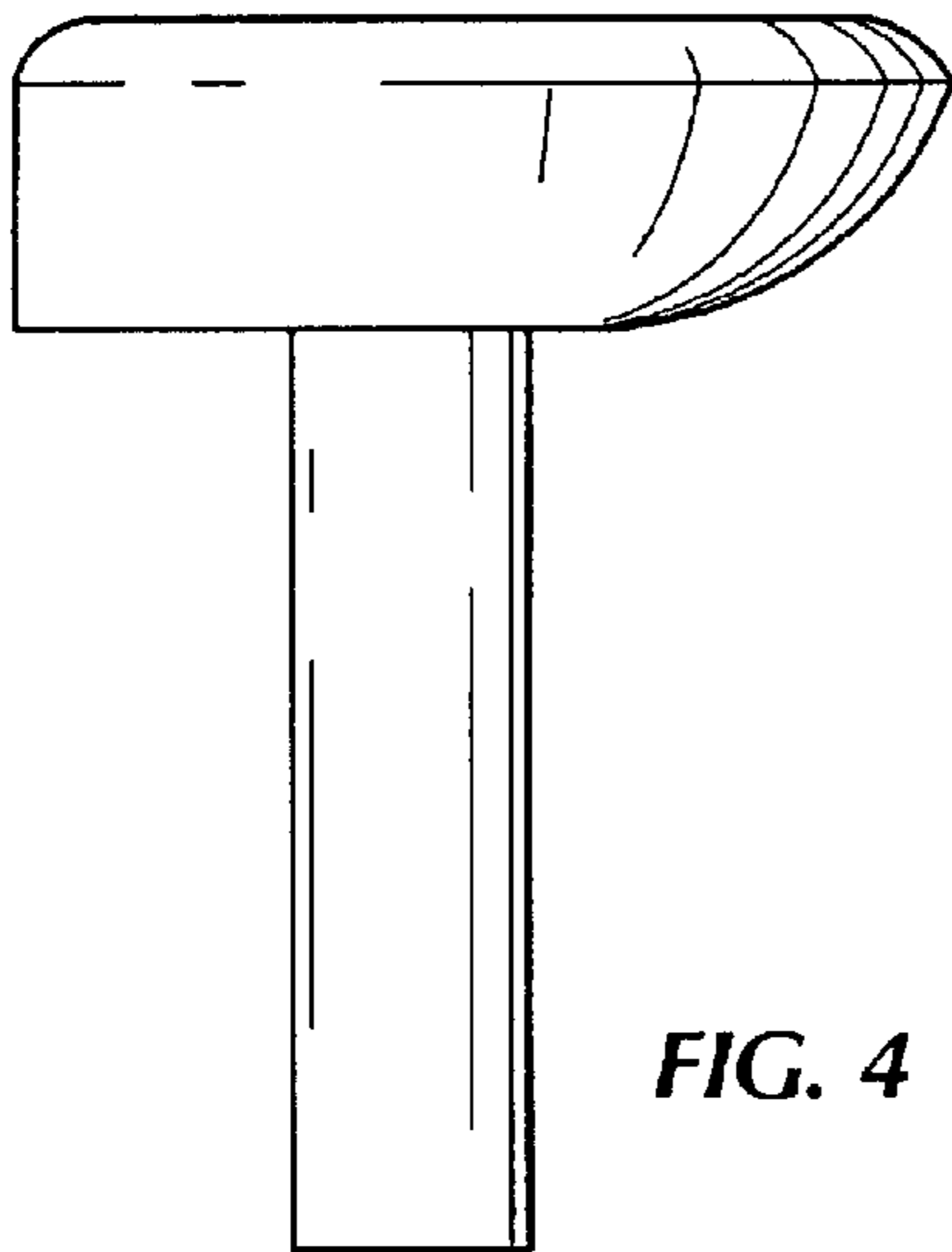


FIG. 4

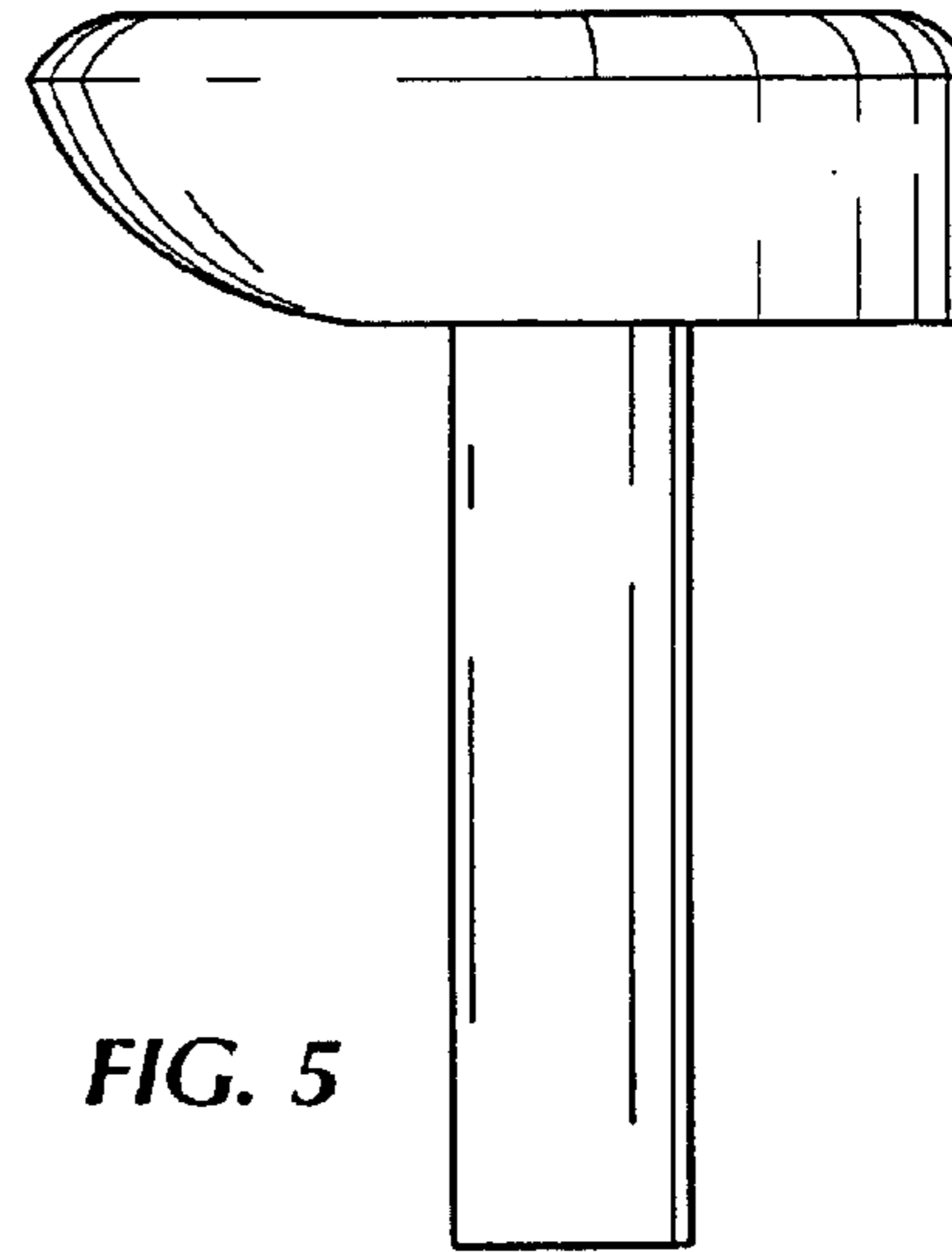


FIG. 5