

US00D499469S

(12) **United States Design Patent**  
**Trépanier**

(10) **Patent No.:** **US D499,469 S**

(45) **Date of Patent:** **\*\* Dec. 7, 2004**

(54) **SINK**

(75) **Inventor:** **Gaston Trépanier, Québec (CA)**

(73) **Assignee:** **Julien Inc., Quebec (CA)**

(\*\*) **Term:** **14 Years**

(21) **Appl. No.:** **29/203,946**

(22) **Filed:** **Apr. 21, 2004**

(30) **Foreign Application Priority Data**

Jan. 15, 2004 (CA) ..... 105600

(51) **LOC (7) Cl.** ..... **23-02**

(52) **U.S. Cl.** ..... **D23/286**

(58) **Field of Search** ..... D23/270-273,  
D23/284-287, 293.1, 303, 308; 4/662-666,  
619, 630-631, 637-640, 654, 650-652,  
661; D6/510, 441, 446

(56) **References Cited**

**U.S. PATENT DOCUMENTS**

D95,807 S \* 6/1935 Davock ..... D23/286

D102,987 S \* 2/1937 Janes ..... D23/287  
D135,024 S \* 2/1943 Anderson ..... D23/287  
D154,924 S \* 8/1949 Huss et al. .... D6/446  
D194,039 S \* 11/1962 Rabb, Jr. .... D6/441

\* cited by examiner

*Primary Examiner*—Robert A. Delehanty

(74) *Attorney, Agent, or Firm*—Holland & Knight LLP

(57) **CLAIM**

The ornamental design for a sink, as shown and described.

**DESCRIPTION**

FIG. 1 is a front perspective view of a sink, showing my new design;

FIG. 2 is a top plan view thereof;

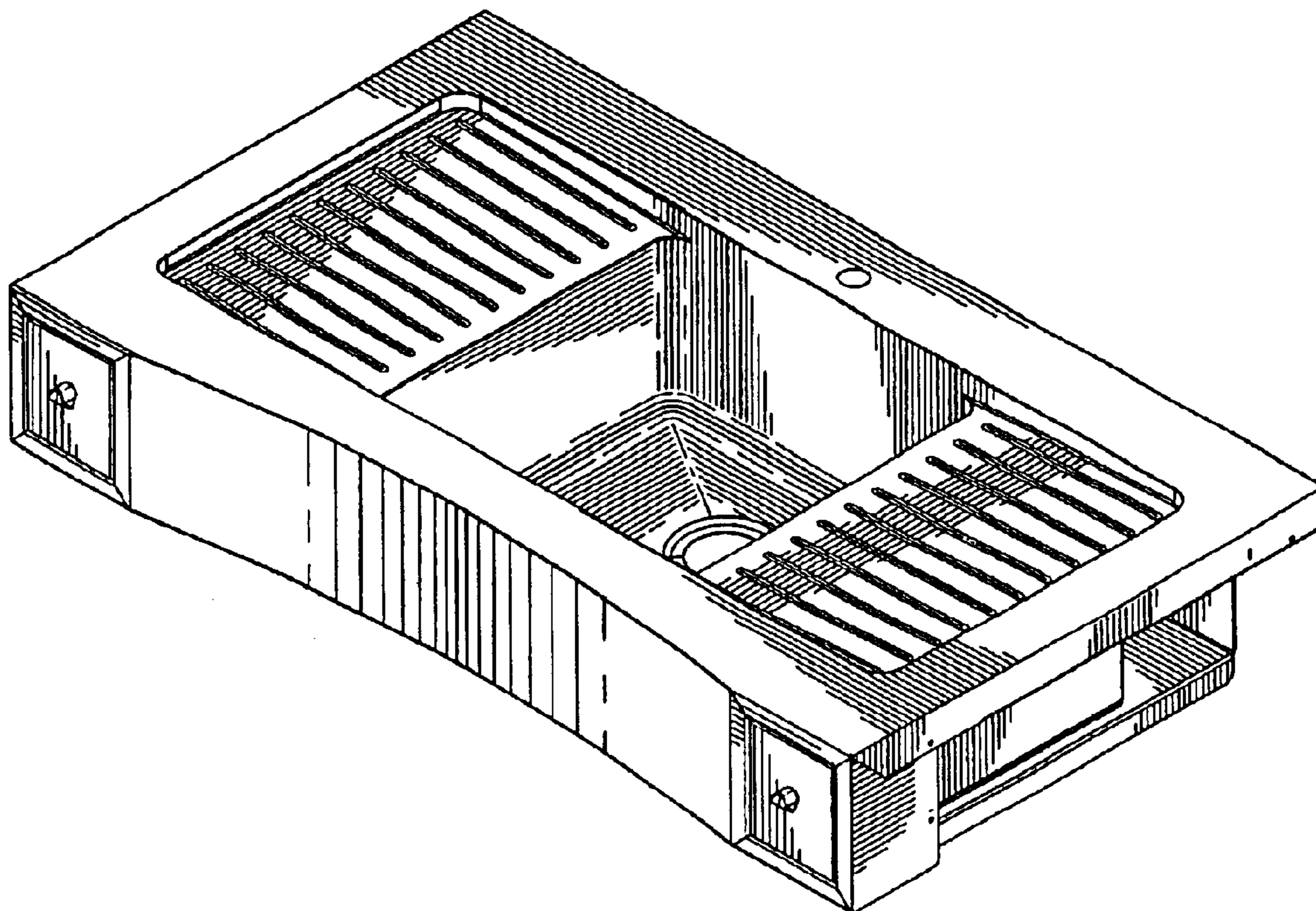
FIG. 3 is a front elevation view thereof;

FIG. 4 is a right side elevation view thereof;

FIG. 5 is a left side elevation view thereof; and,

FIG. 6 is a rear elevation view thereof.

**1 Claim, 3 Drawing Sheets**



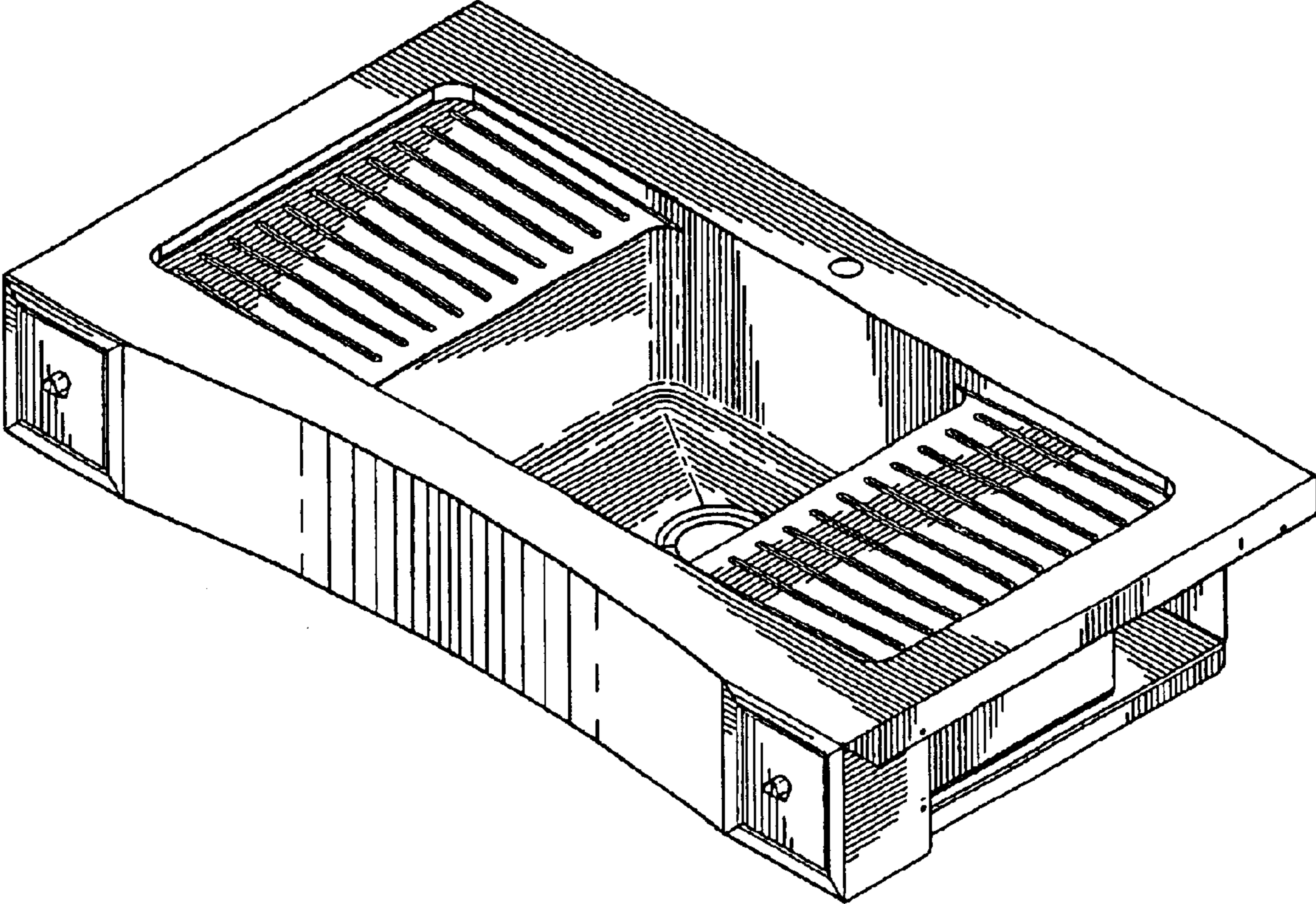


FIG. 1

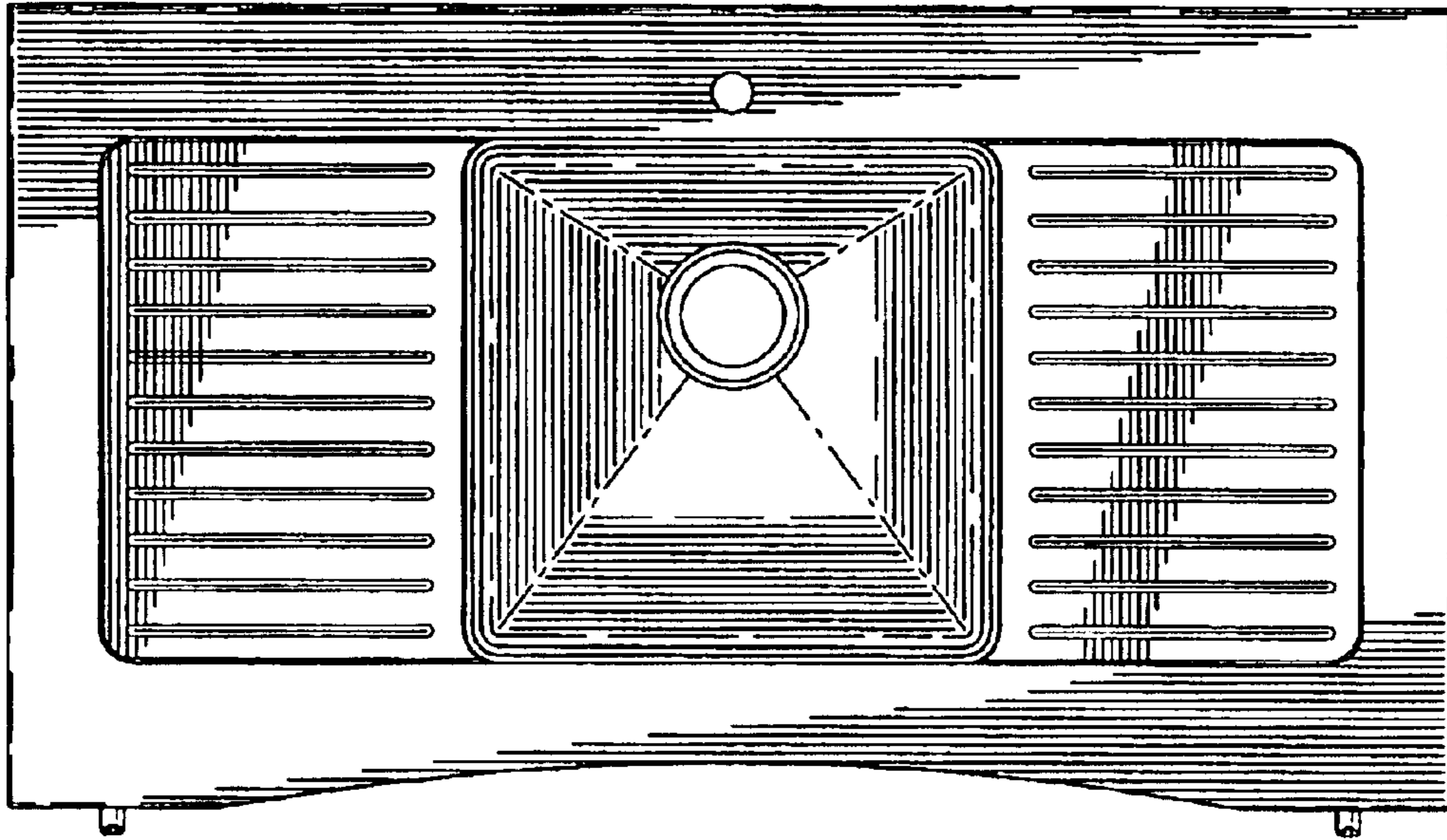


FIG. 2

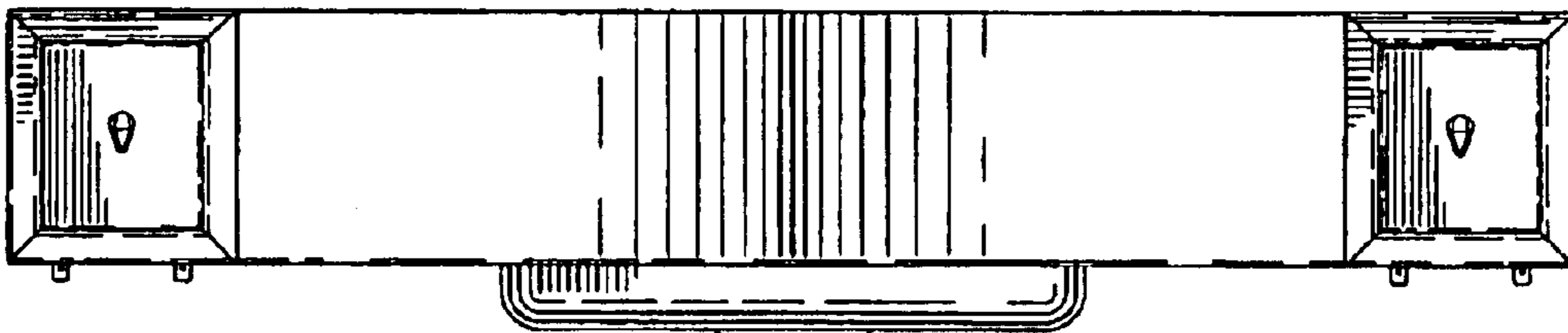


FIG. 3

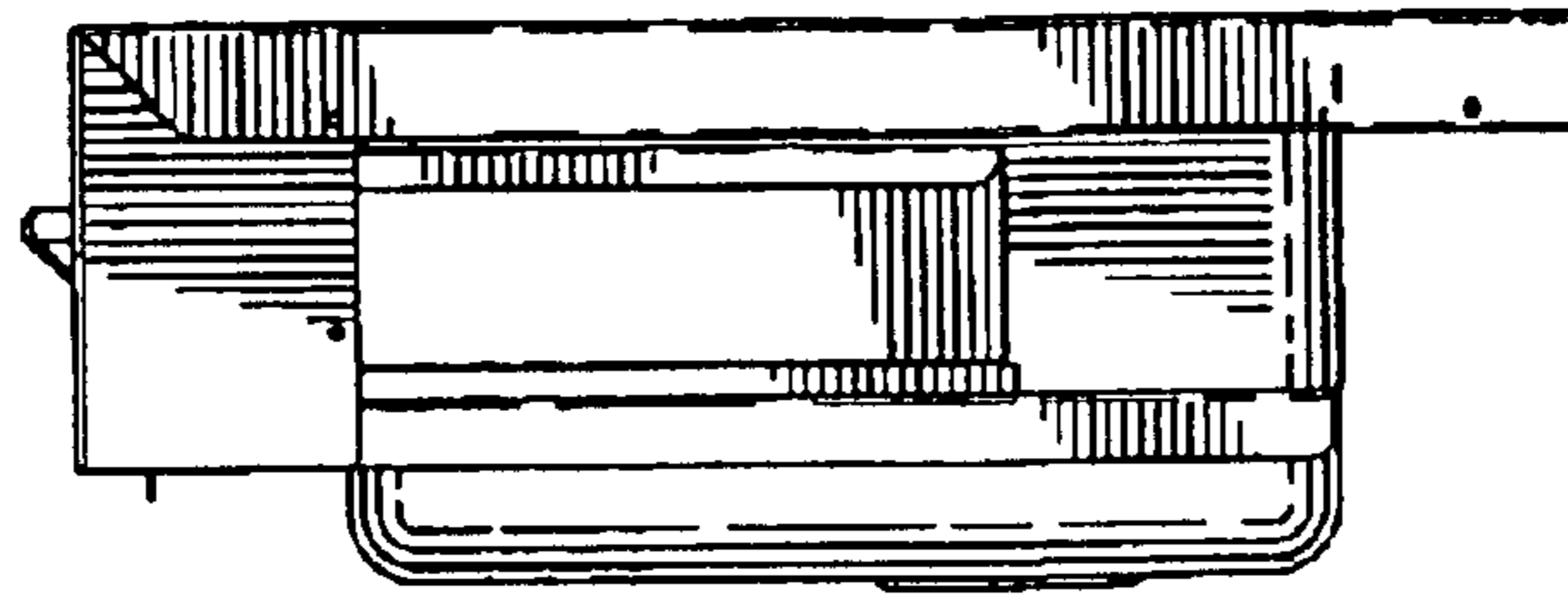


FIG. 4

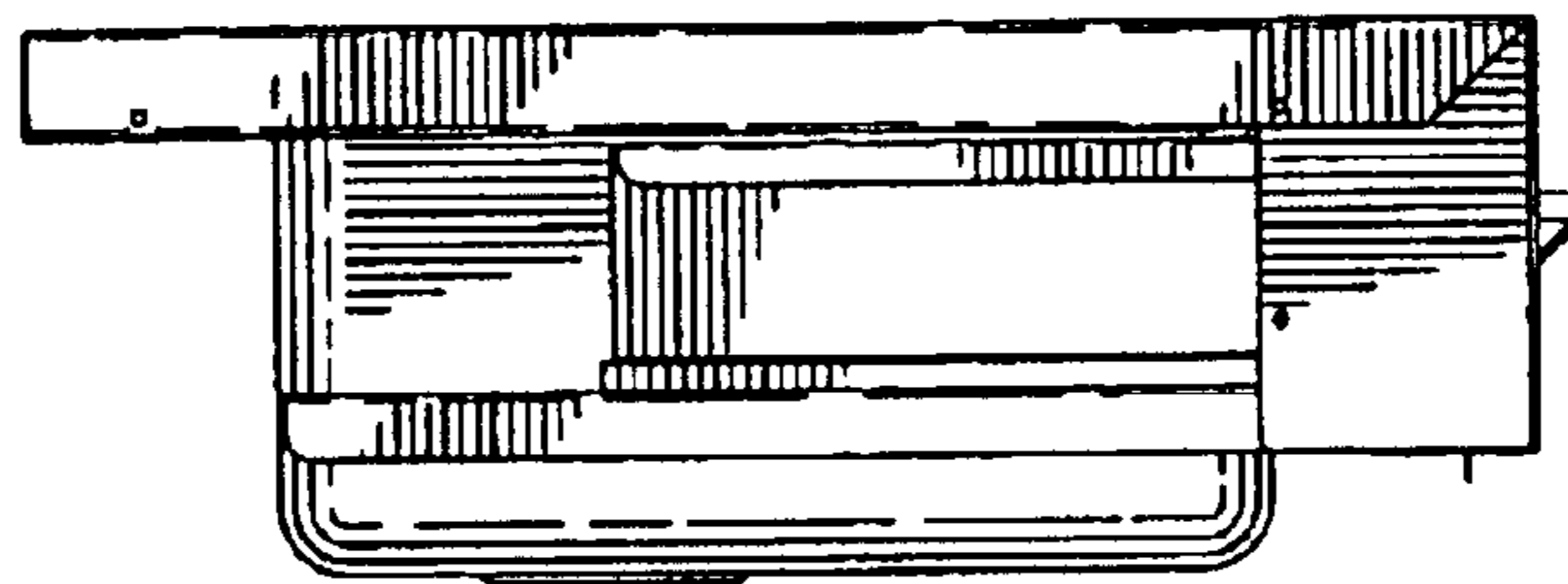


FIG. 5

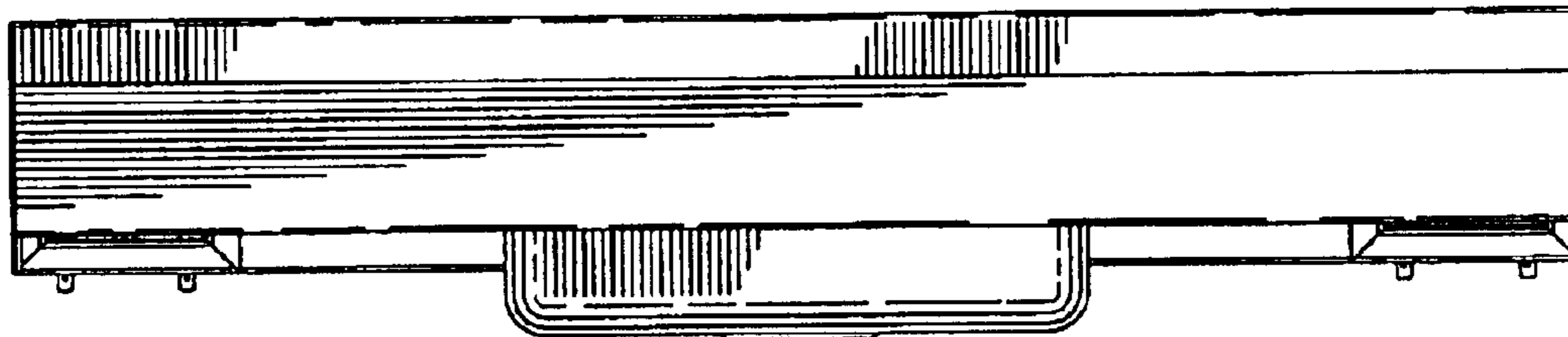


FIG. 6