

US00D499468S

(12) **United States Design Patent**
Trépanier

(10) **Patent No.:** **US D499,468 S**
(45) **Date of Patent:** **** Dec. 7, 2004**

(54) **SINK**
(75) **Inventor:** **Gaston Trépanier, Québec (CA)**
(73) **Assignee:** **Julien Inc., Quebec (CA)**
(**) **Term:** **14 Years**

D324,428 S * 3/1992 Downs D23/287

* cited by examiner

Primary Examiner—Robert A. Delehanty
(74) *Attorney, Agent, or Firm*—Holland & Knight LLP

(21) **Appl. No.:** **29/203,945**
(22) **Filed:** **Apr. 21, 2004**

(57) **CLAIM**

The ornamental design for a sink, as shown and described.

(30) **Foreign Application Priority Data**

DESCRIPTION

Jan. 15, 2004 (CA) 105601

(51) **LOC (7) Cl.** **23-02**

(52) **U.S. Cl.** **D23/286**

(58) **Field of Search** D23/270–273,
D23/284–287, 293.1, 303, 308; 4/662–666,
619, 630–631, 637–640, 654, 650–652,
661; D6/510, 441, 446

FIG. 1 is a front perspective view of a sink, showing my new design;

FIG. 2 is a top plan view thereof;

FIG. 3 is a front elevation view thereof;

FIG. 4 is a right side elevation view thereof;

FIG. 5 is a left side elevation view thereof; and,

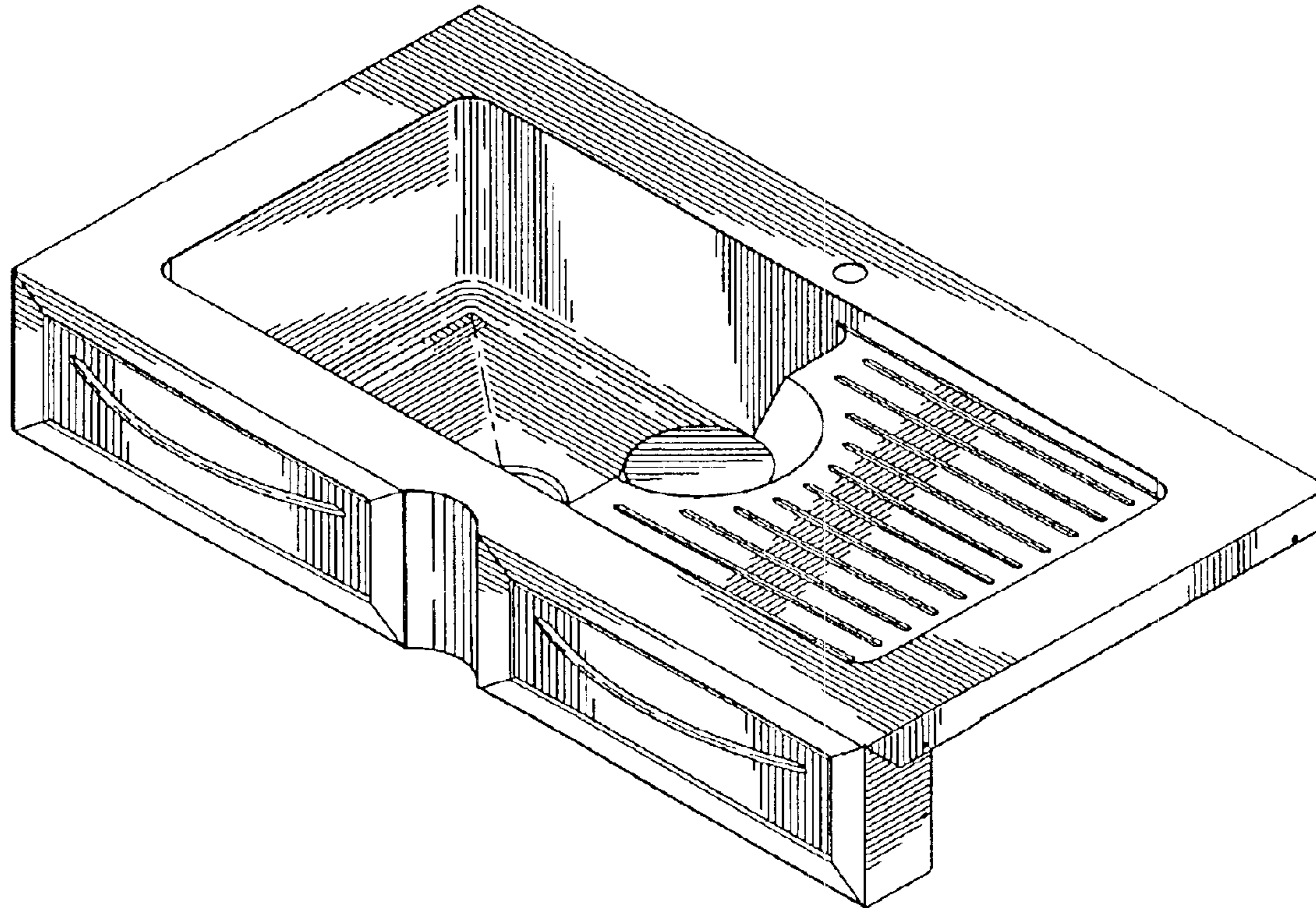
FIG. 6 is a rear elevation view thereof.

(56) **References Cited**

U.S. PATENT DOCUMENTS

D135,024 S * 1/1943 Anderson D23/286

1 Claim, 3 Drawing Sheets



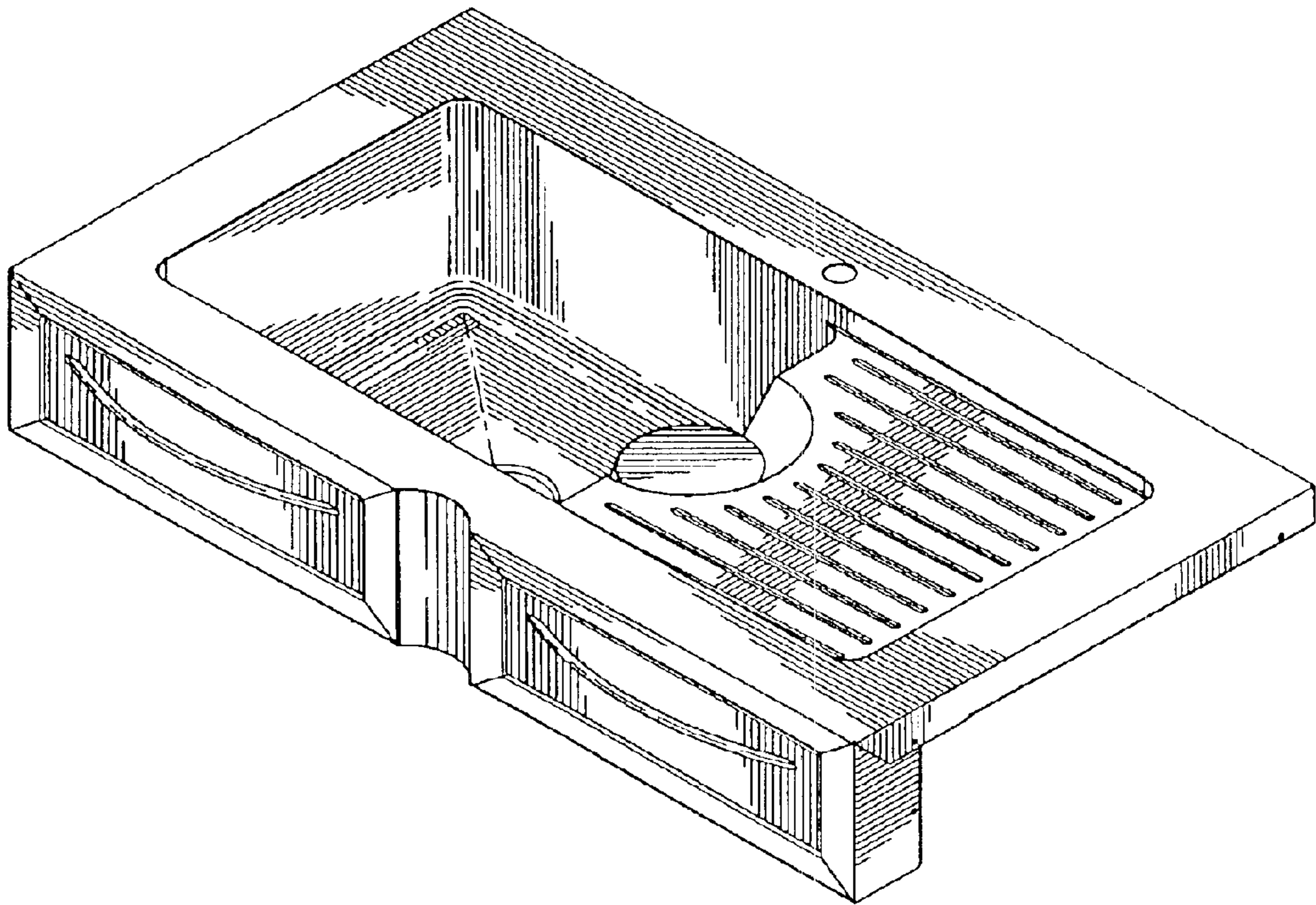


FIG. 1

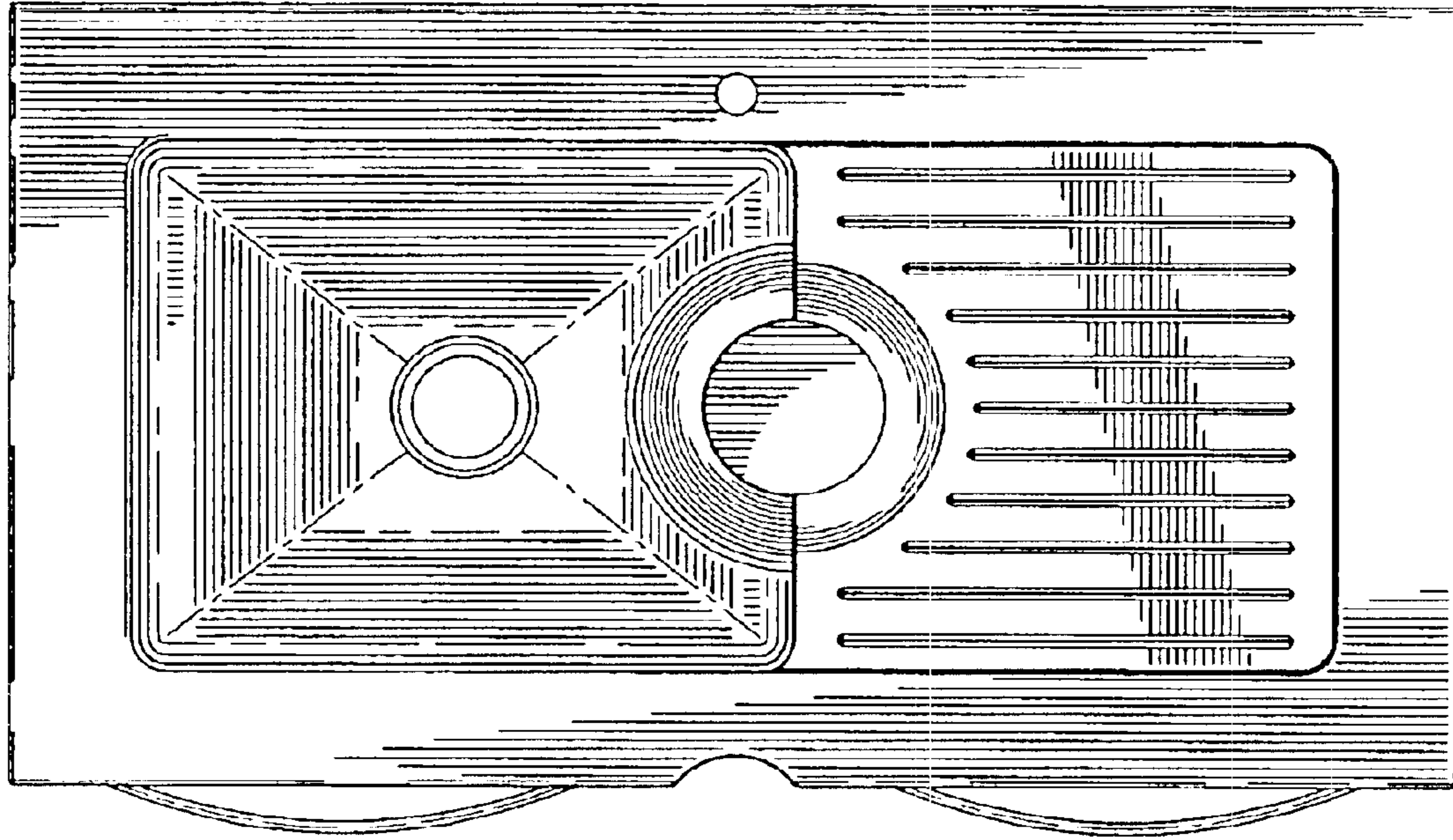


FIG. 2

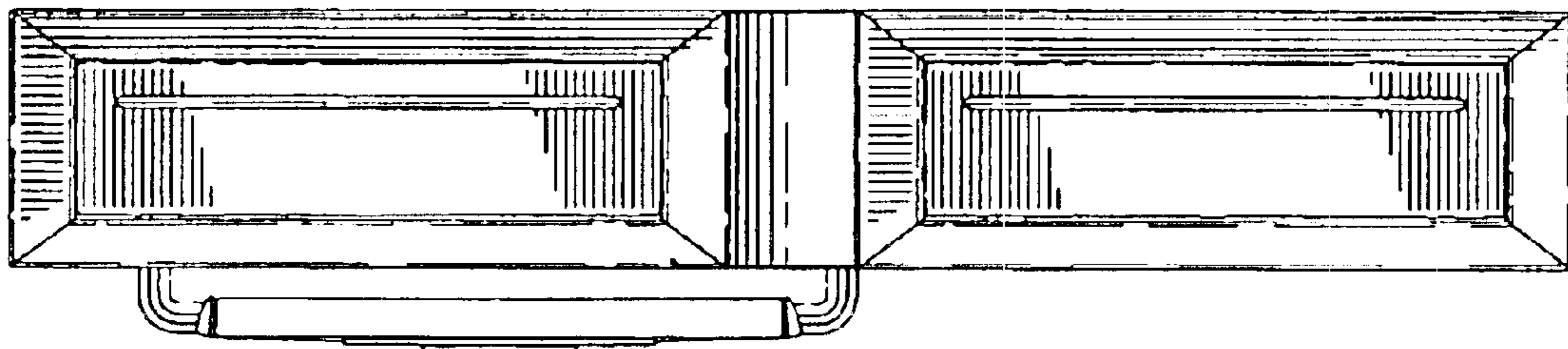


FIG. 3

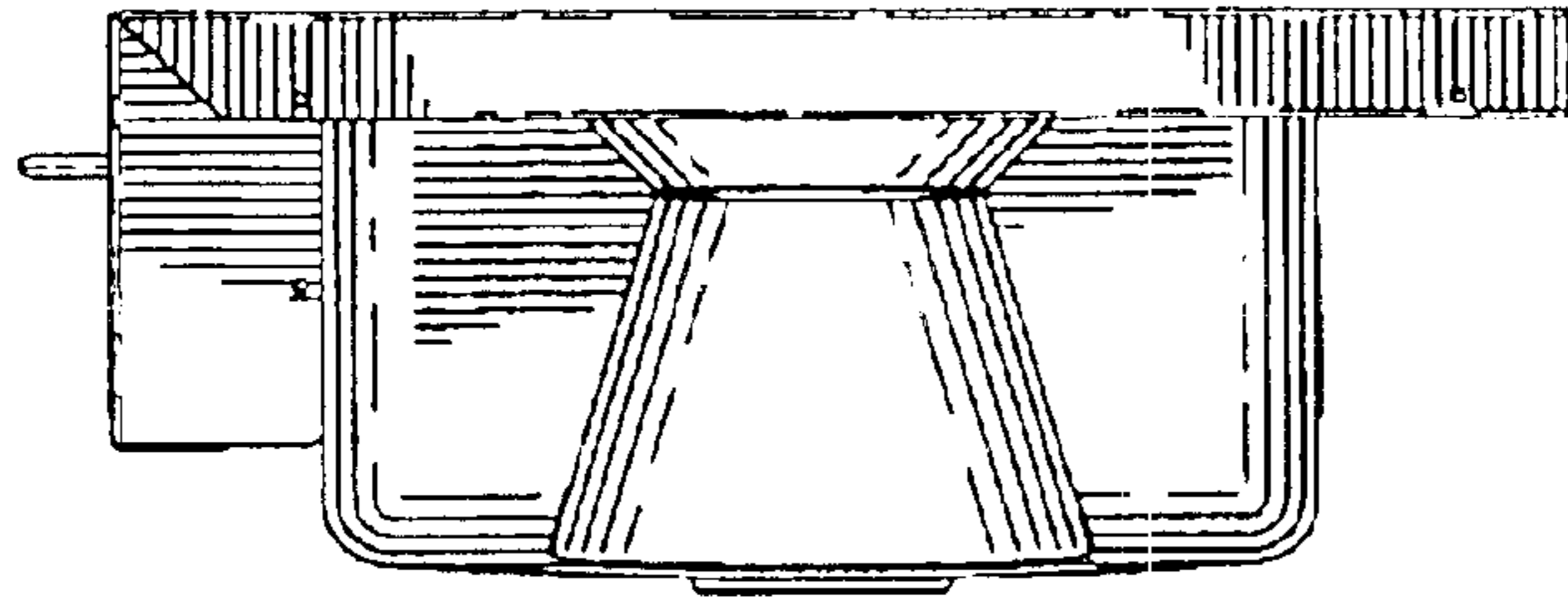


FIG. 4

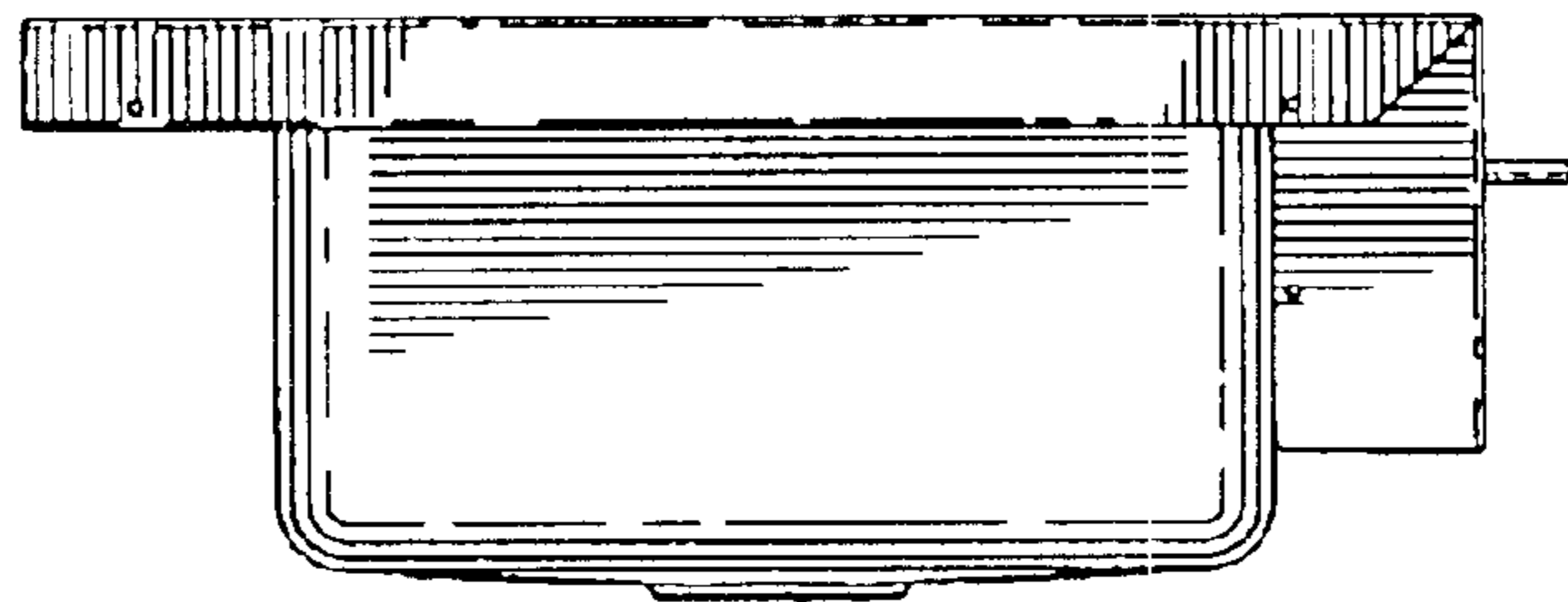


FIG. 5

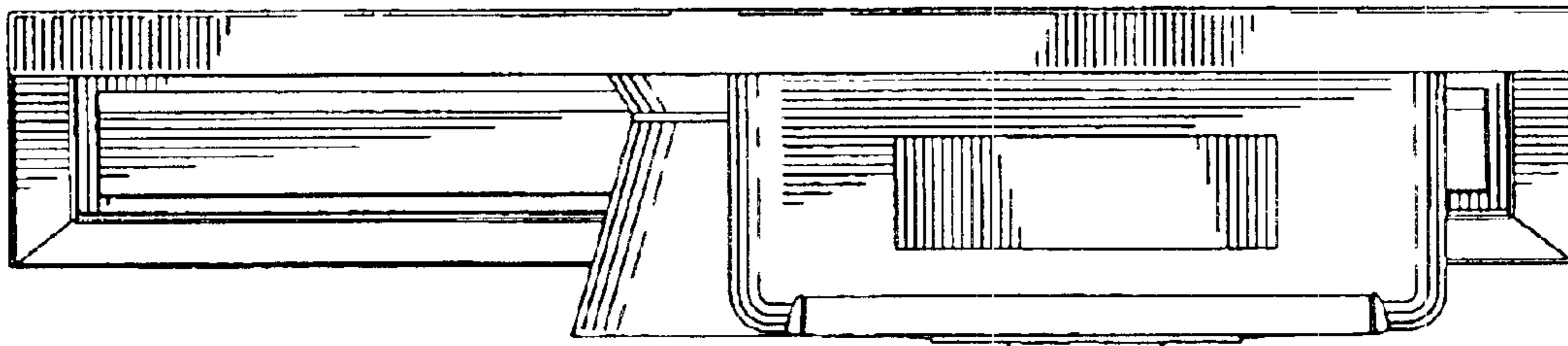


FIG. 6