



US00D499467S

(12) **United States Design Patent** (10) **Patent No.:** **US D499,467 S**
Aubry et al. (45) **Date of Patent:** **** Dec. 7, 2004**

(54) **TUB FOR BATHING**

(75) Inventors: **Clodagh Aubry**, New York, NY (US);
Kate Verner, New York, NY (US)

(73) Assignee: **Ann Sacks Tile And Stone, Inc.**,
Portland, OR (US)

(**) Term: **14 Years**

(21) Appl. No.: **29/179,544**

(22) Filed: **Apr. 10, 2003**

(51) **LOC (7) Cl.** **23-02**

(52) **U.S. Cl.** **D23/280.1**

(58) **Field of Search** D23/270-271,
D23/276-278, 280.1, 303-304, 273, 275,
279, 280.2, 280.3, 280.4; D24/204-205;
4/538-539, 545-546, 592-593, 584-586,
588-590, DIG. 15, 555, 559

(56) **References Cited**

U.S. PATENT DOCUMENTS

- 3,583,001 A * 6/1971 Steinhott 4/575.1
D237,616 S * 11/1975 Gordon D23/277
D267,033 S * 11/1982 Koet D23/280.4

* cited by examiner

Primary Examiner—Robert A. Delehanty

(74) *Attorney, Agent, or Firm*—Quarles & Brady LLP

(57) **CLAIM**

The ornamental design for a tub for bathing, as shown and described.

DESCRIPTION

In a preferred embodiment, the nature of this product is as a plumbing fixture primarily useful for washing the body of humans.

FIG. 1 is a right, top, front perspective view of a tub for bathing embodying our new design;

FIG. 2 is a top plan view thereof;

FIG. 3 is a front elevational view thereof, the rear view thereof being identical to the front elevational view shown;

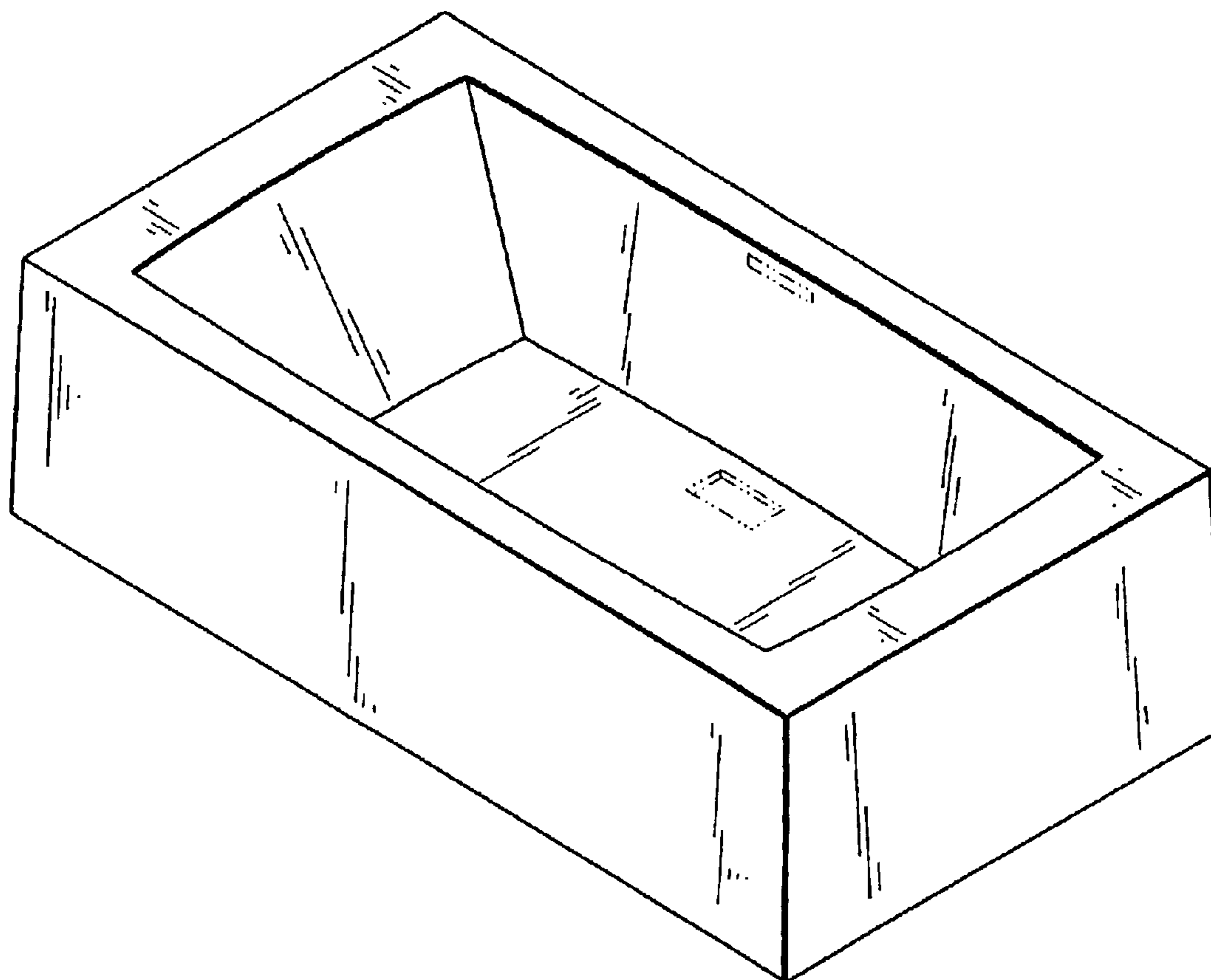
FIG. 4 is a right side elevational view thereof, the left side elevational view thereof being identical to the right side shown;

FIG. 5 is a bottom plan view thereof; and,

FIG. 6 is a cross-sectional view thereof taken along line 6-6 of FIG. 2.

The broken line representations of holes in FIGS. 1, 2, 5 and 6 are for the purpose of illustration only, and form no part of the claimed design.

1 Claim, 3 Drawing Sheets



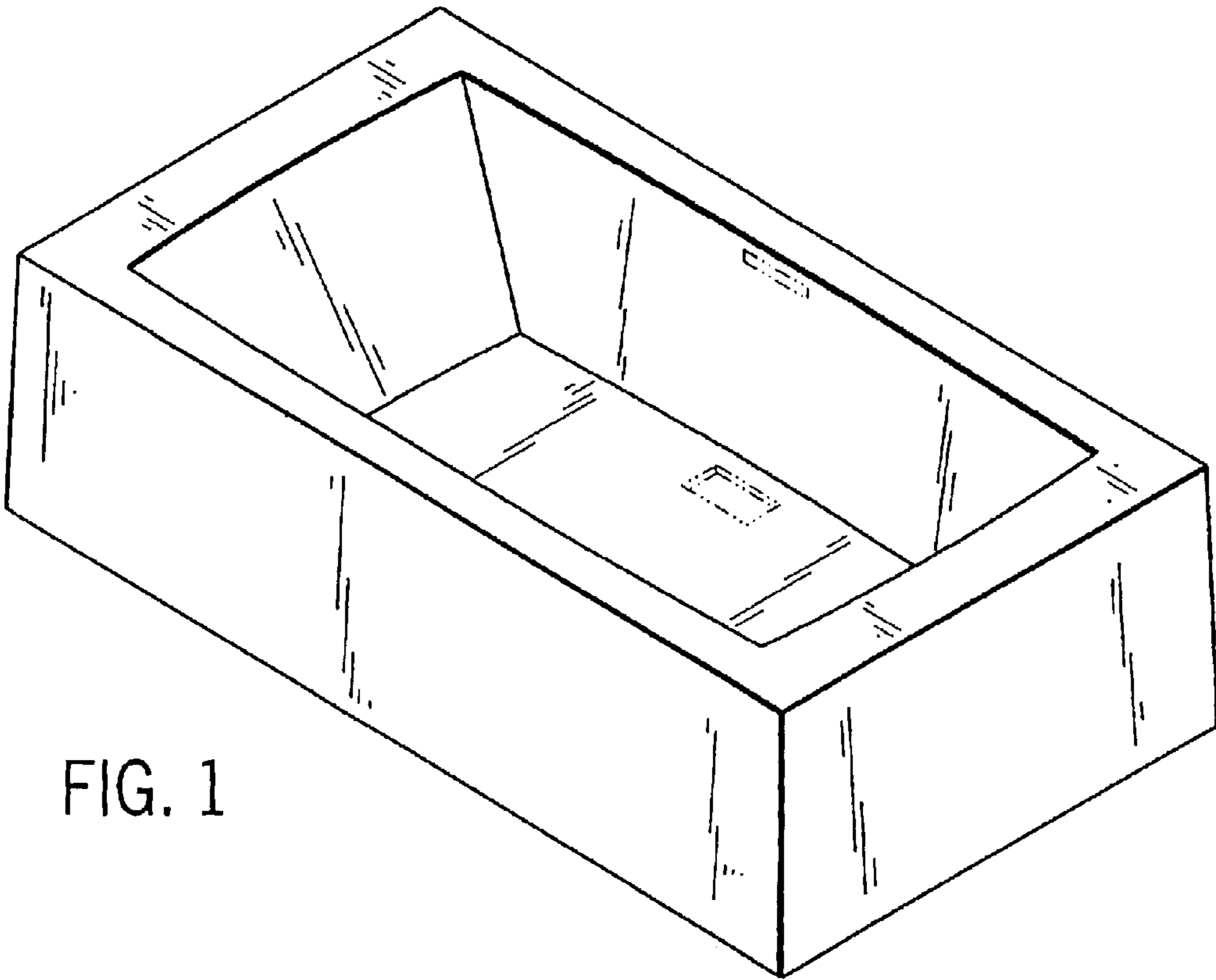
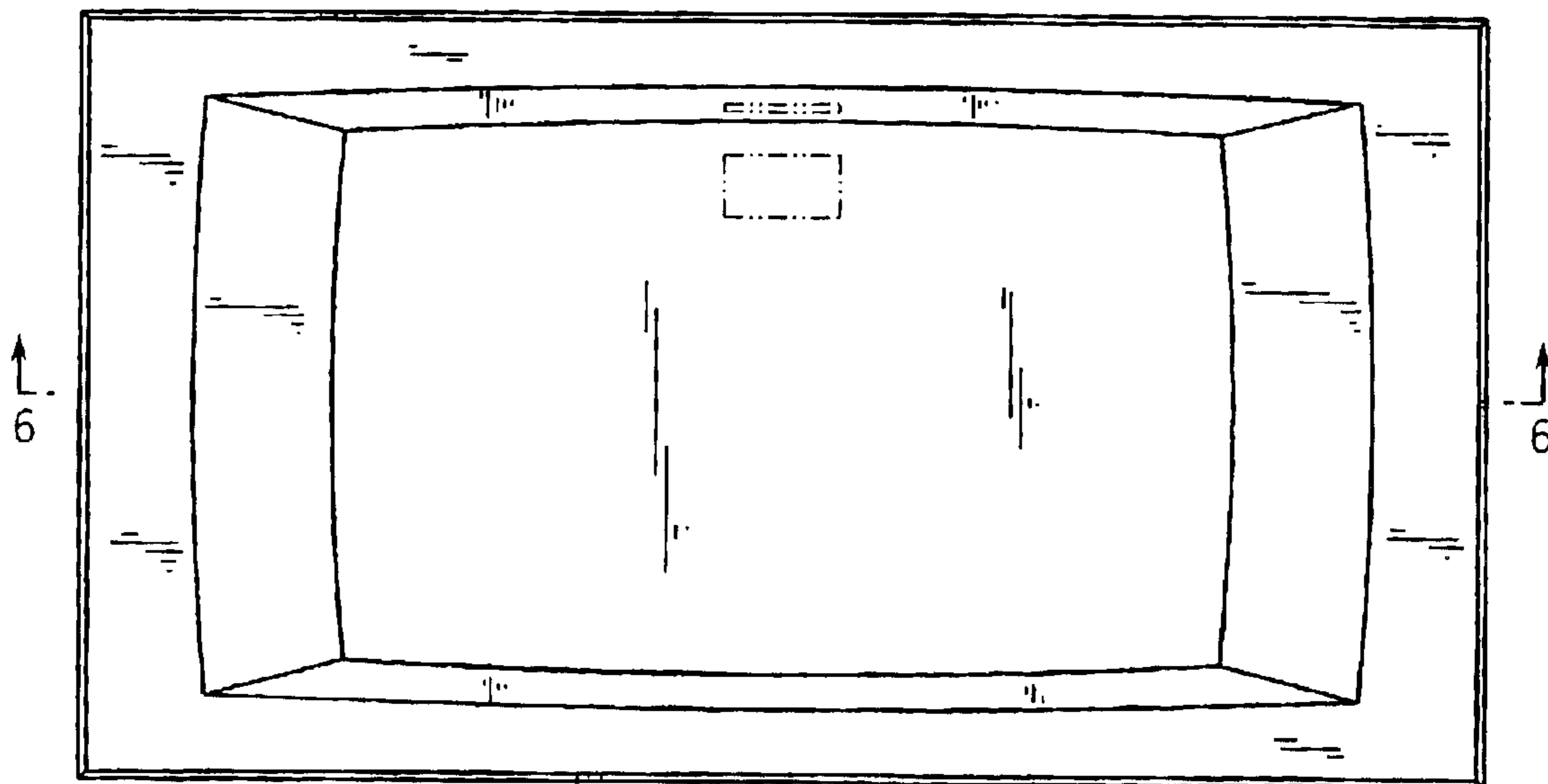


FIG. 1

FIG. 2



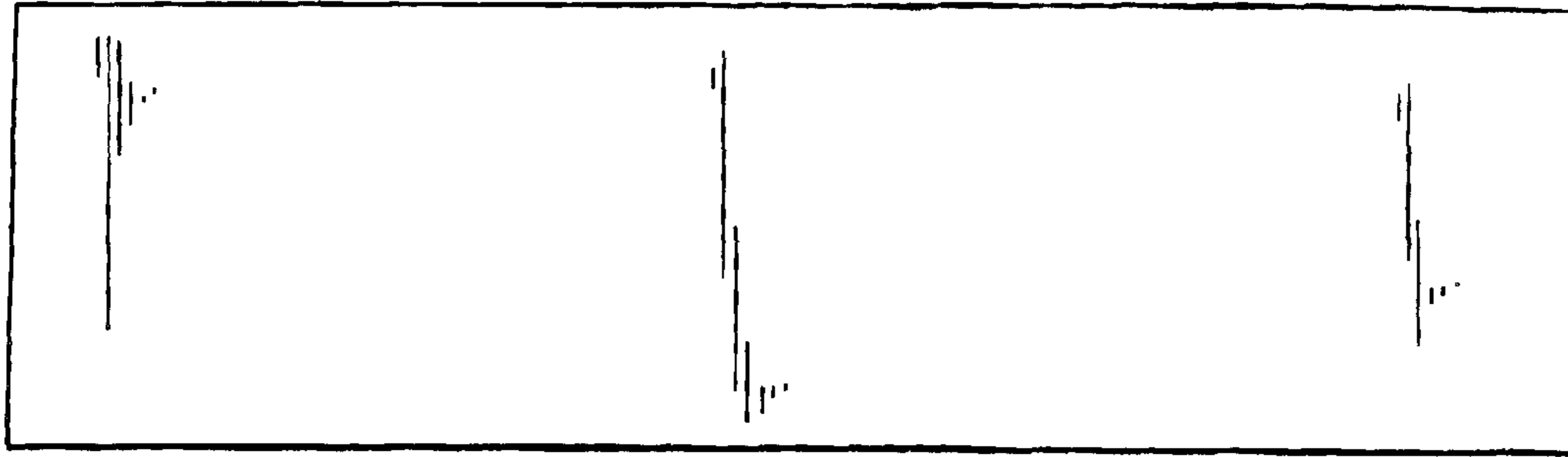


FIG. 3

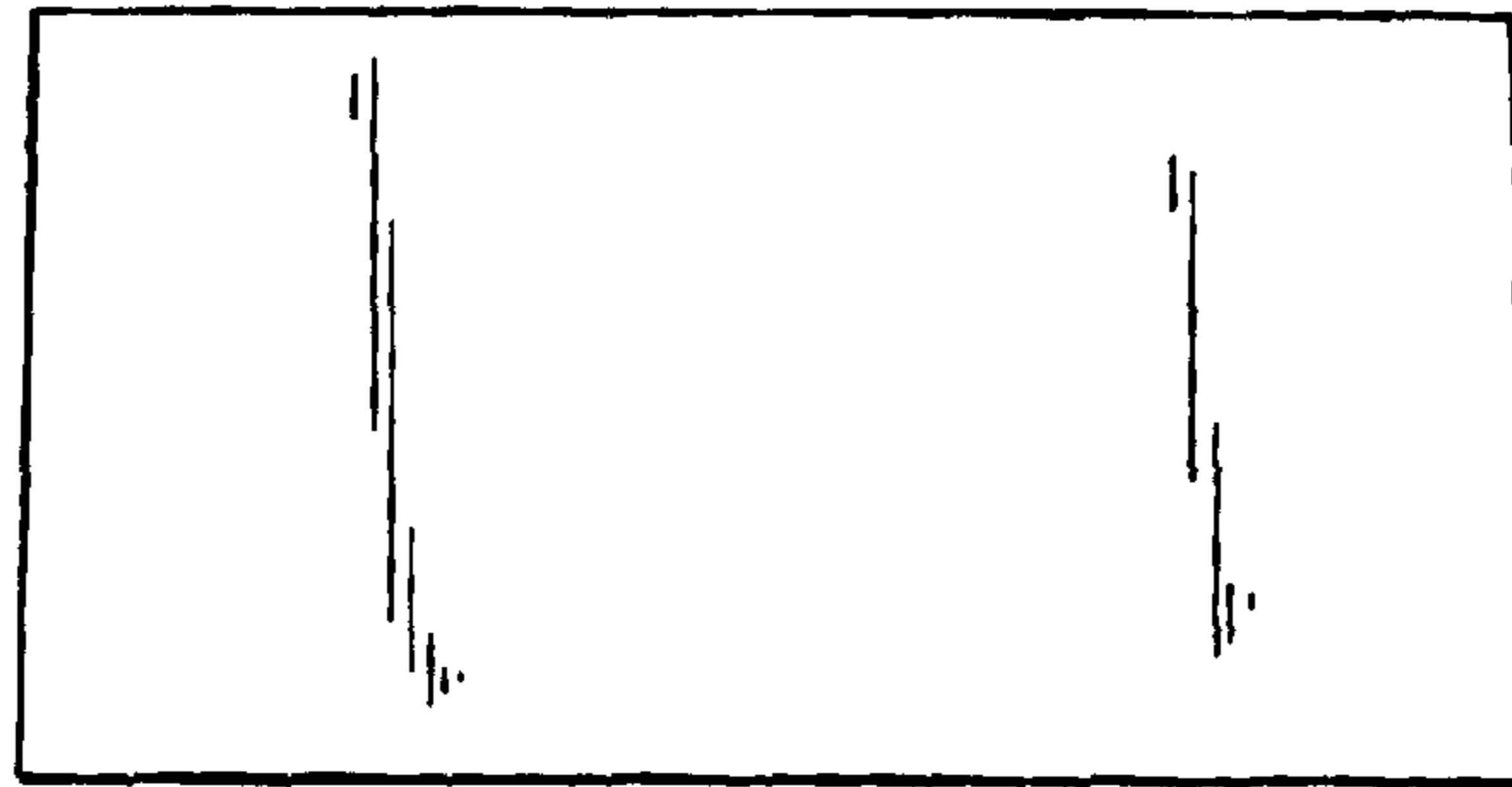
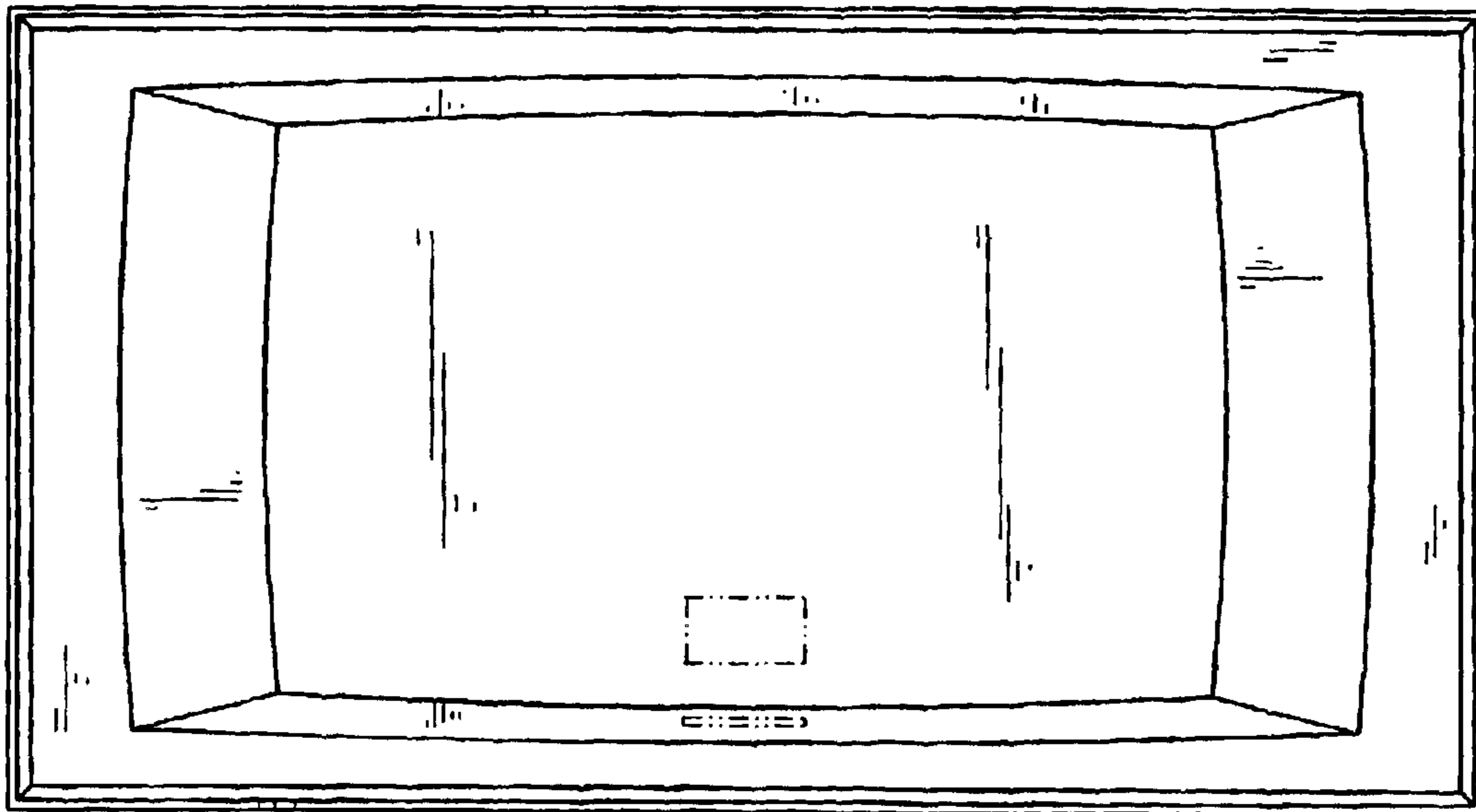


FIG. 4

FIG. 5



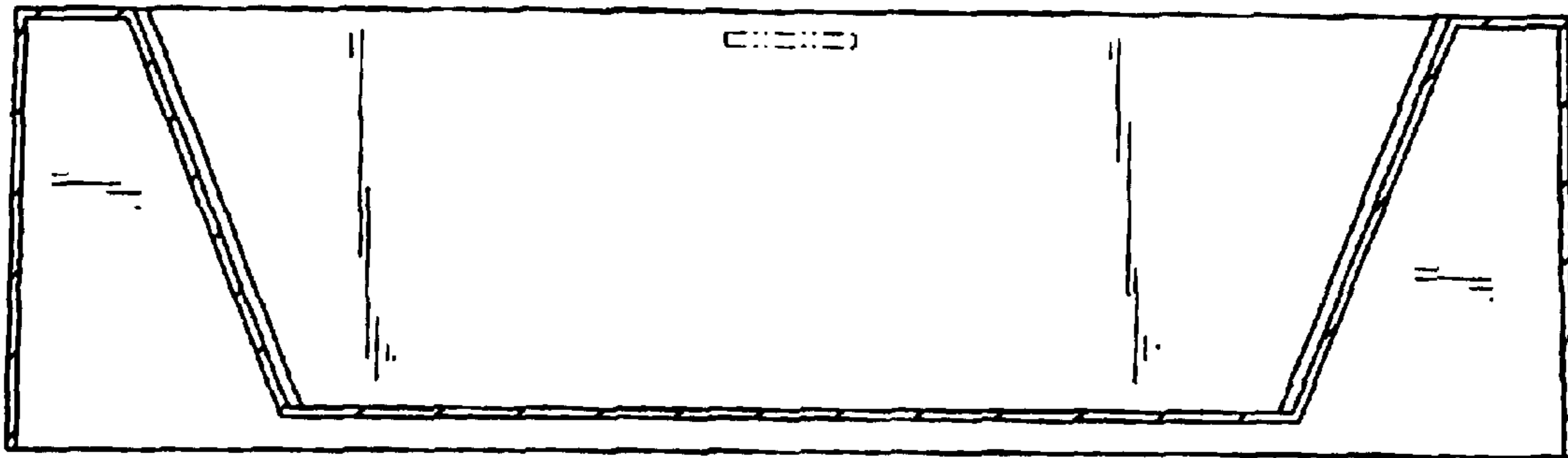


FIG. 6