



US00D499466S

(12) **United States Design Patent**
Jacuzzi et al.

(10) **Patent No.:** **US D499,466 S**

(45) **Date of Patent:** **** Dec. 7, 2004**

(54) **BATHTUB**

D225,225 S * 11/1972 Russell D23/279
D317,355 S * 6/1991 Delepine D23/280.1
D321,245 S * 10/1991 Delepine D23/280.1

(75) Inventors: **Remo C. Jacuzzi**, Little Rock, AR
(US); **Jeffrey L. Cunningham**, Cabot,
AR (US)

* cited by examiner

(73) Assignee: **Jason International, Inc.**, North Little
Rock, AK (US)

Primary Examiner—Robert A. Delehanty
(74) *Attorney, Agent, or Firm*—Banner & Witcoff, Ltd

(**) Term: **14 Years**

(57) **CLAIM**

(21) Appl. No.: **29/197,396**

The ornamental design for a bathtub, as shown and
described.

(22) Filed: **Jan. 15, 2004**

DESCRIPTION

(51) **LOC (7) Cl.** **23-02**

(52) **U.S. Cl.** **D23/277**

(58) **Field of Search** D23/270–271,
D23/276–278, 280.1, 303–304, 273, 275,
279, 280.2, 280.3, 280.4; D24/204–205;
4/538–539, 545–546, 592–593, 584–586,
588–590, DIG. 15, 555, 559

FIG. 1 is a top plan view of a bathtub showing our new
design;

FIG. 2 is a front perspective view thereof;

FIG. 3 is a right perspective view thereof;

FIG. 4 is a left perspective view thereof; and,

FIG. 5 is a rear perspective view thereof.

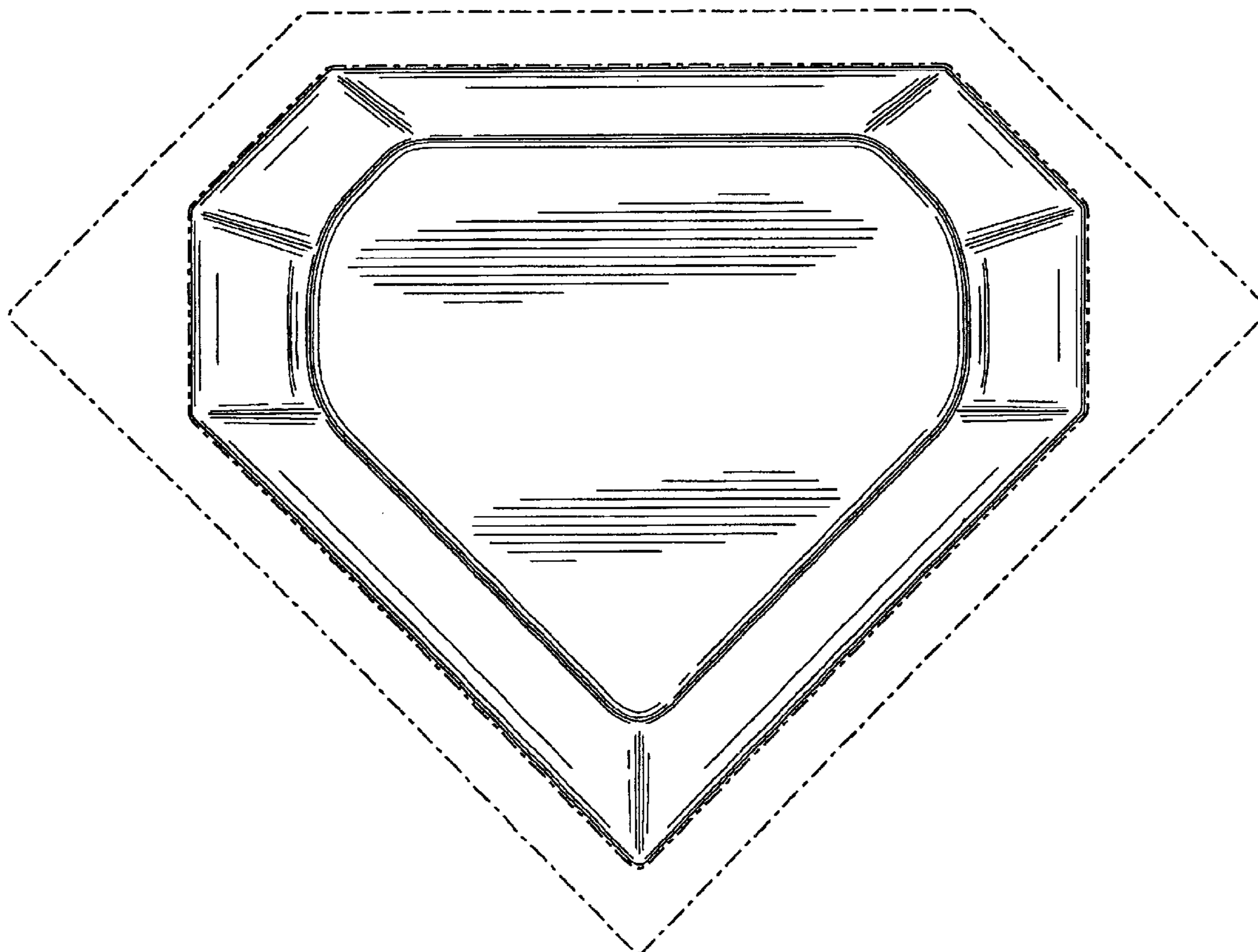
The broken line showing the remainder of the bathtub is for
illustrative purposes only and forms no part of the claimed
design.

(56) **References Cited**

U.S. PATENT DOCUMENTS

1,940,514 A * 12/1933 Steinkamp D23/277

1 Claim, 5 Drawing Sheets



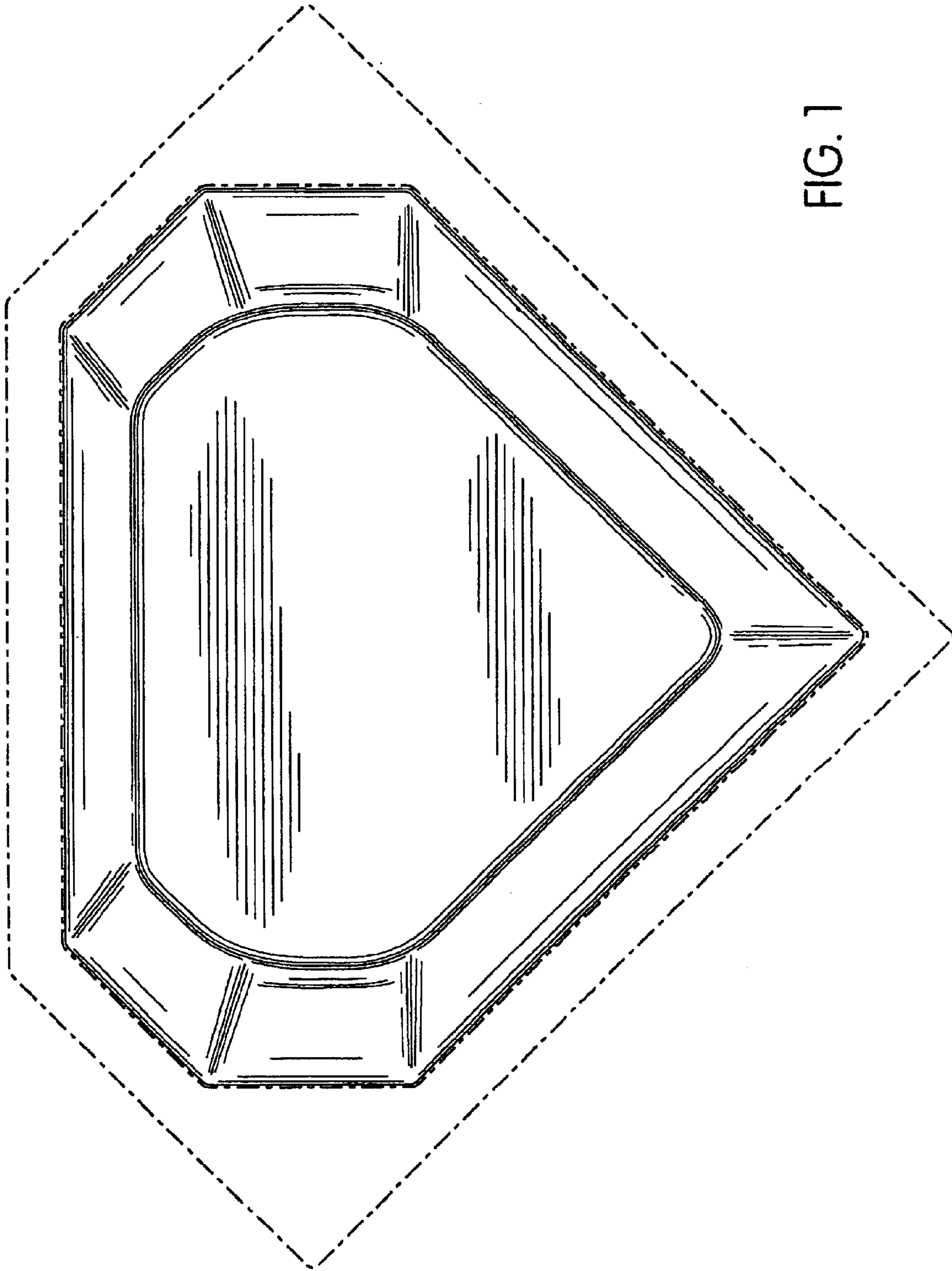


FIG. 1

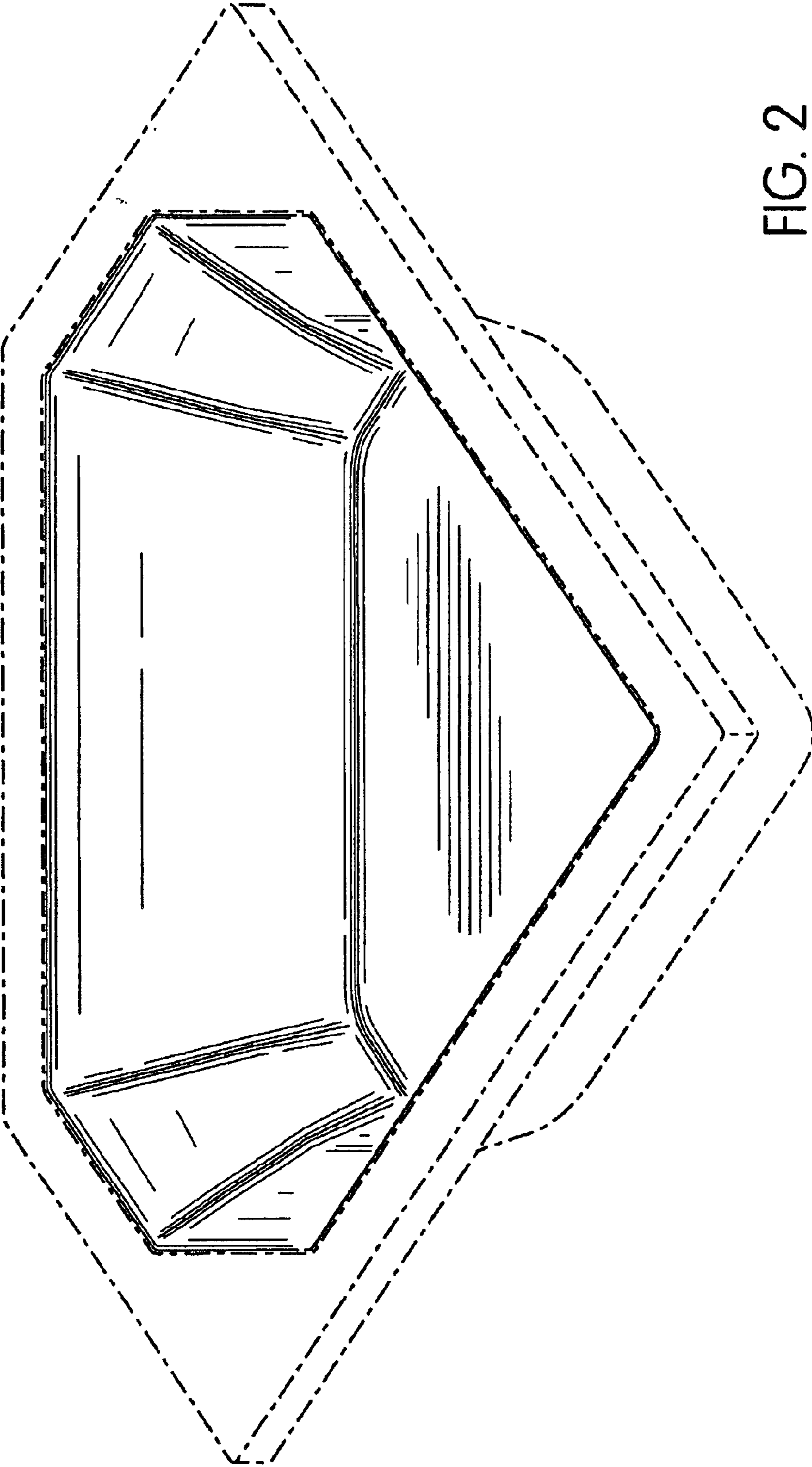


FIG. 2

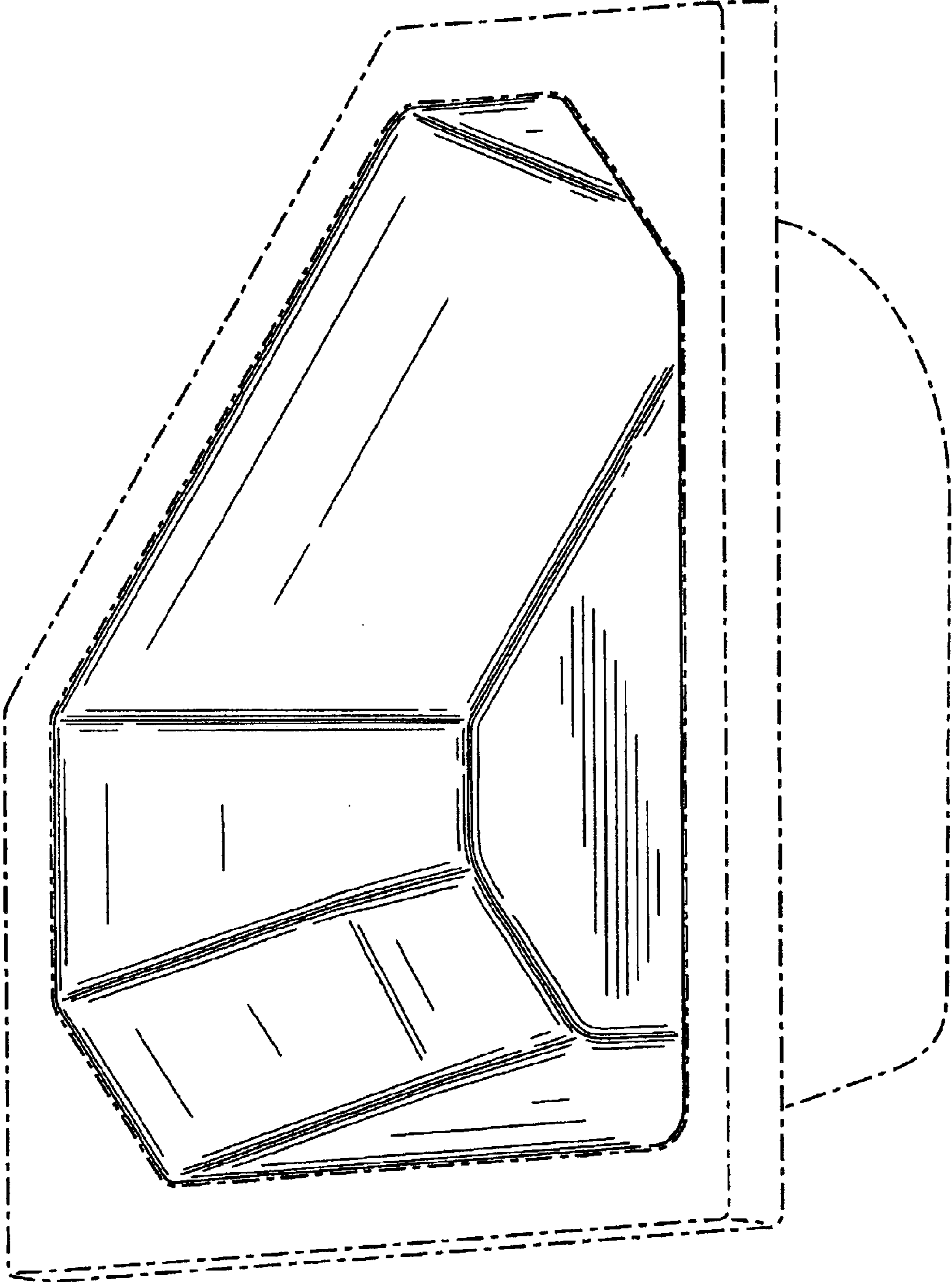


FIG. 3

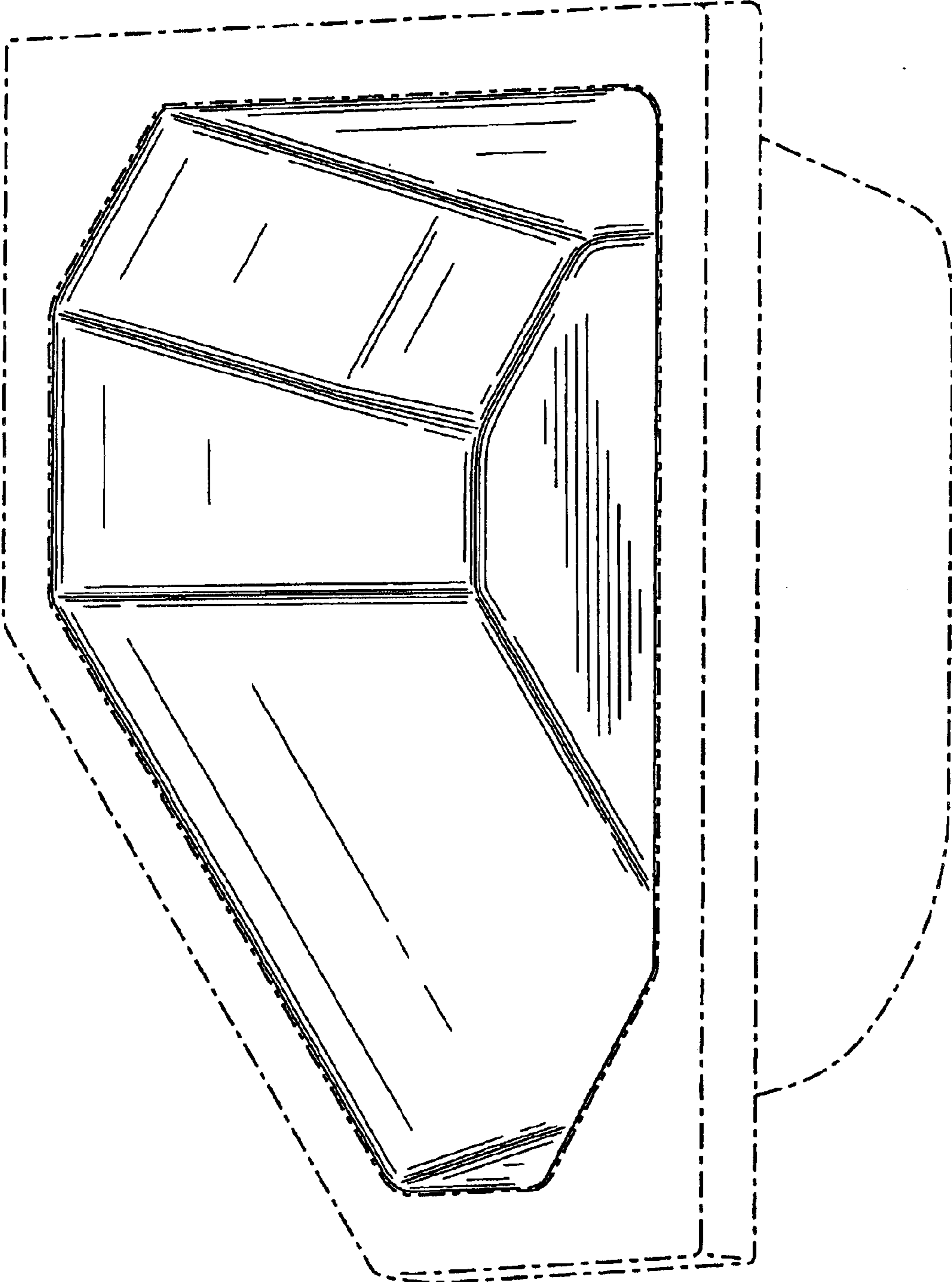


FIG. 4

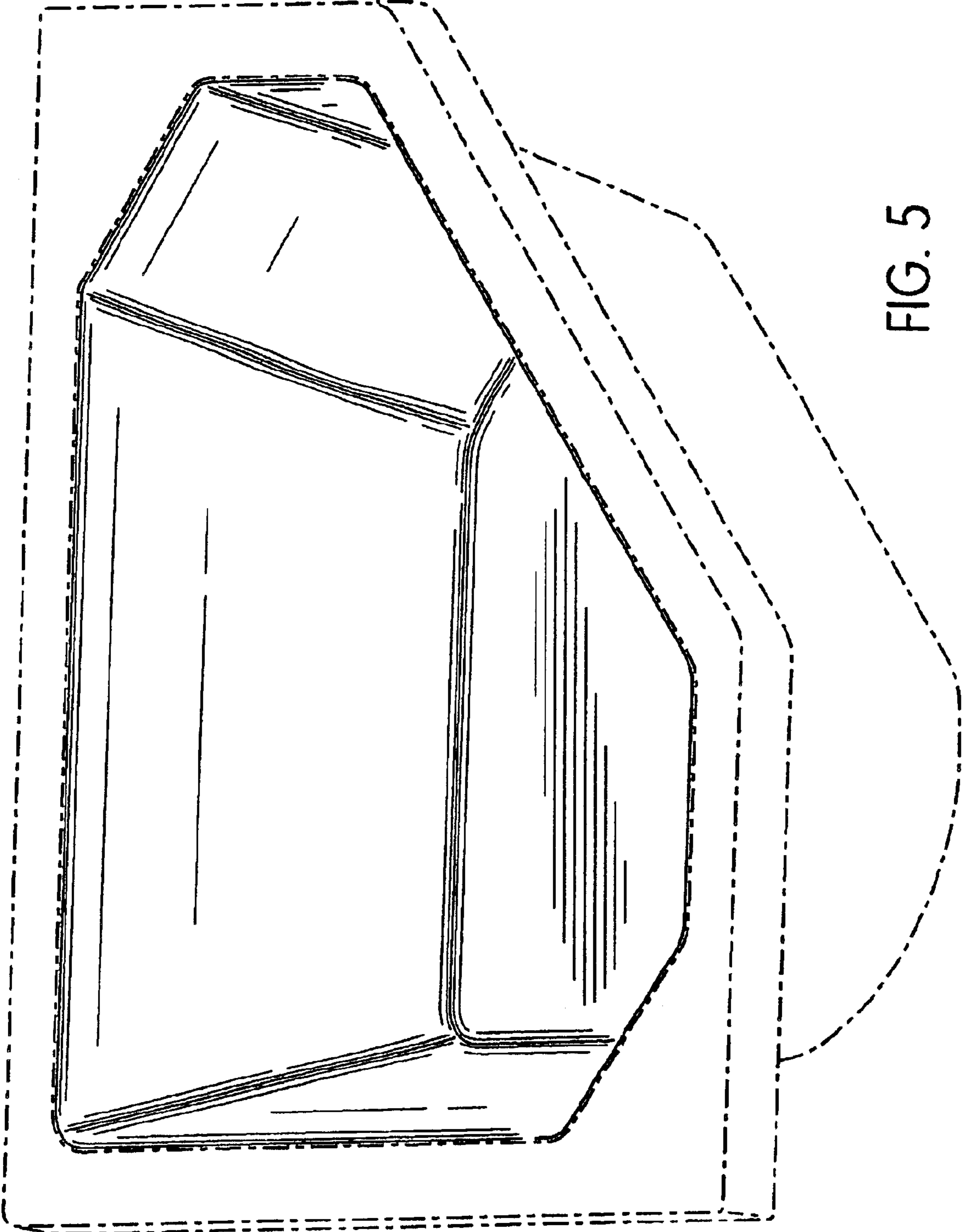


FIG. 5